



US00D857256S

(12) **United States Design Patent** (10) **Patent No.:** **US D857,256 S**  
**Li** (45) **Date of Patent:** **\*\* Aug. 20, 2019**

(54) **HIGH BAY LAMP**  
(71) Applicant: **Torshare Ltd.**, Shenzhen, Guangdong (CN)  
(72) Inventor: **Mantie Li**, Guangdong (CN)  
(73) Assignee: **Torshare Ltd.**, Shenzhen (CN)  
(\*\*) Term: **15 Years**  
(21) Appl. No.: **29/645,531**  
(22) Filed: **Apr. 27, 2018**  
(51) **LOC (12) Cl.** ..... **26-03**  
(52) **U.S. Cl.**  
USPC ..... **D26/24; D26/88**  
(58) **Field of Classification Search**  
USPC ... D26/2, 24, 22, 28, 35, 36, 72, 78, 80, 83, D26/85, 88, 89  
CPC ..... F21V 21/02; F21V 21/008; F21V 29/77; F21V 29/78; F21V 29/80; F21V 29/767; F21V 29/777; F21V 29/2212; F21V 15/00; F21V 15/01; F21S 4/00; F21S 4/003; F21S 8/03; F21S 8/04; F21S 8/06; F21S 8/003; F21S 8/026; F21S 8/043; F21S 8/061; F21S 8/063; F21S 41/141; F21S 41/151; F21S 41/153; F21W 2131/00; F21W 2131/10; F21W 2131/20; F21W 2131/30; F21W 2131/40  
See application file for complete search history.

(56) **References Cited**  
U.S. PATENT DOCUMENTS  
D254,215 S \* 2/1980 Yahraus ..... D26/71  
4,404,620 A \* 9/1983 Takahashi ..... F21V 7/09  
362/297  
D430,687 S \* 9/2000 Landefeld ..... D26/24

D538,951 S \* 3/2007 Maxik ..... D26/2  
D538,952 S \* 3/2007 Maxik ..... D26/2  
D596,765 S \* 7/2009 Chiu ..... D26/2  
D673,320 S \* 12/2012 Guercio ..... D26/89  
D687,585 S \* 8/2013 Kim ..... D26/72  
D688,405 S \* 8/2013 Kim ..... D26/72  
D688,408 S \* 8/2013 Wung ..... D26/72  
D690,453 S \* 9/2013 Guercio ..... D26/72  
D702,867 S \* 4/2014 Kim ..... D26/72  
D748,840 S \* 2/2016 Lee ..... D26/2  
D750,317 S \* 2/2016 Lui ..... D26/138  
D761,975 S \* 7/2016 Moon ..... D26/2  
D784,591 S \* 4/2017 Bryant ..... D26/72  
D784,597 S \* 4/2017 Wilson ..... D26/88  
D811,642 S \* 2/2018 Liang ..... D26/72  
D831,261 S \* 10/2018 Ding ..... D26/88  
D839,469 S \* 1/2019 Deng ..... D26/88  
2017/0268737 A1\* 9/2017 Holscher ..... F21S 8/063

\* cited by examiner

*Primary Examiner* — Wan Laymon  
*Assistant Examiner* — Clint A Samuel

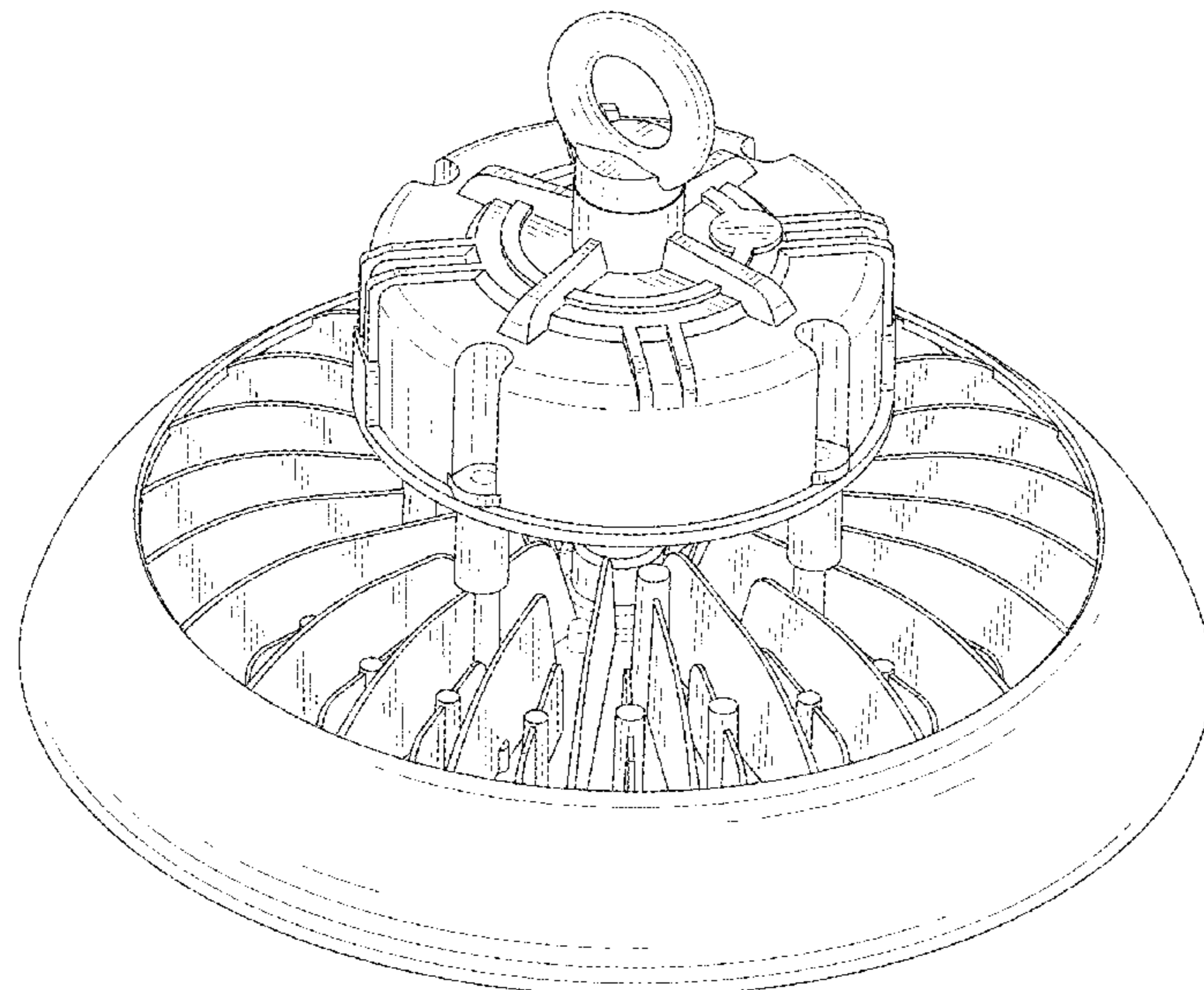
(57) **CLAIM**

The ornamental design for a high bay lamp, as shown and described.

**DESCRIPTION**

FIG. 1 is a top perspective view of a high bay lamp showing my new design;  
FIG. 2 is a bottom perspective view thereof;  
FIG. 3 is a front elevational view thereof;  
FIG. 4 is a rear elevational view thereof;  
FIG. 5 is a left side view thereof;  
FIG. 6 is a right side view thereof;  
FIG. 7 is a top plan view thereof; and,  
FIG. 8 is a bottom plan view thereof.  
The broken lines in the drawings illustrate portions of the high bay lamp which form no part of the claimed design.

**1 Claim, 8 Drawing Sheets**



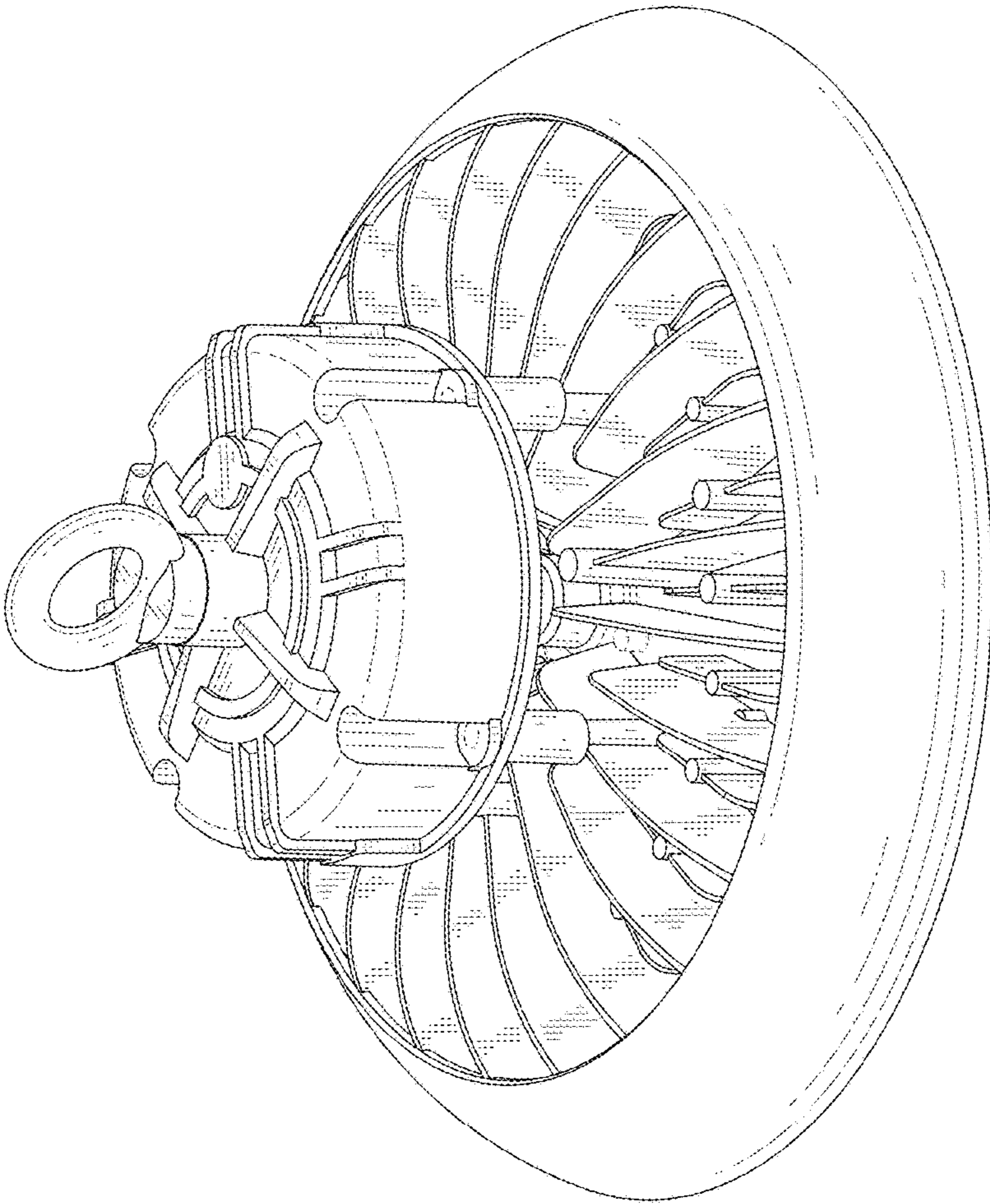


FIG. 1

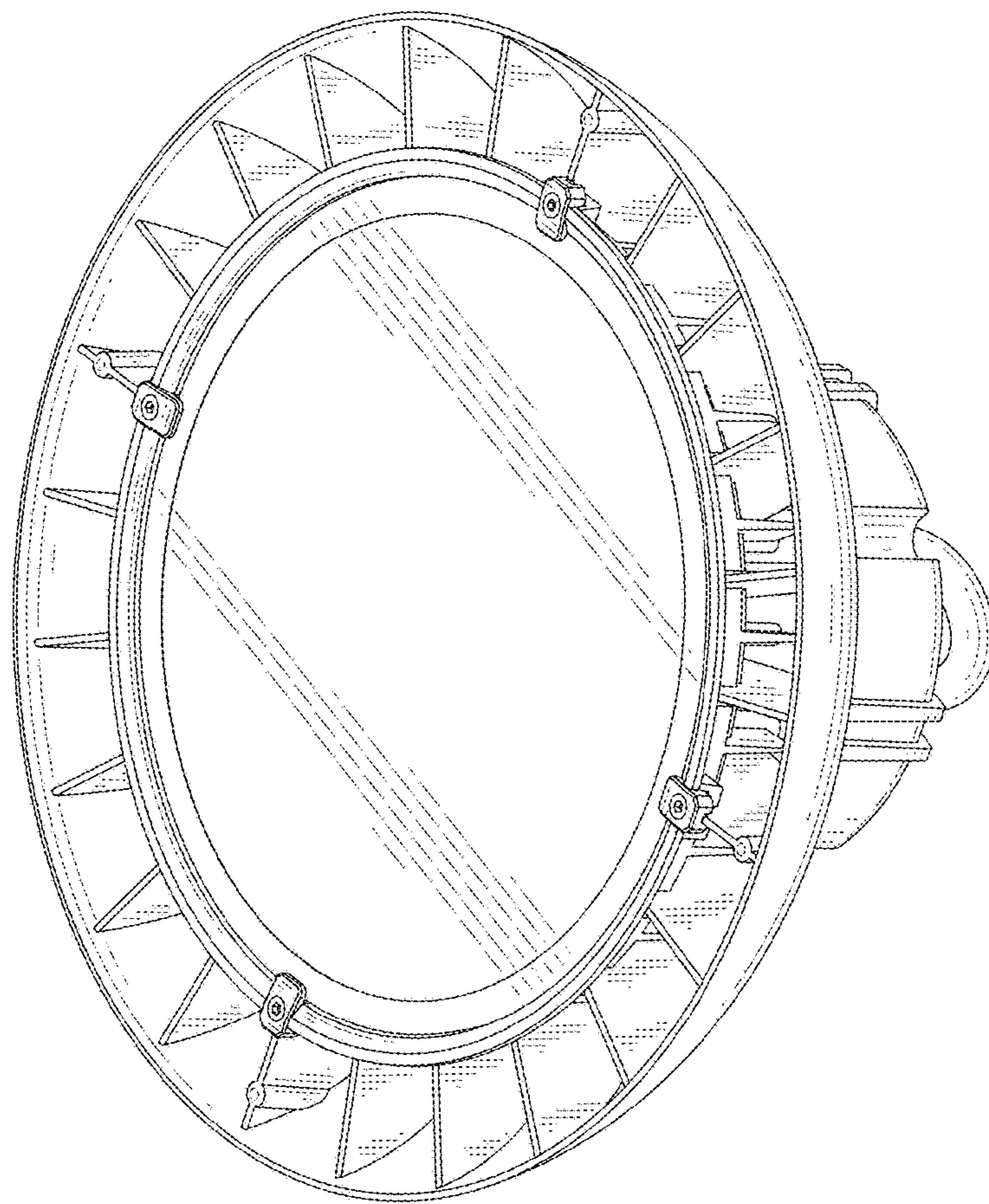


FIG. 2

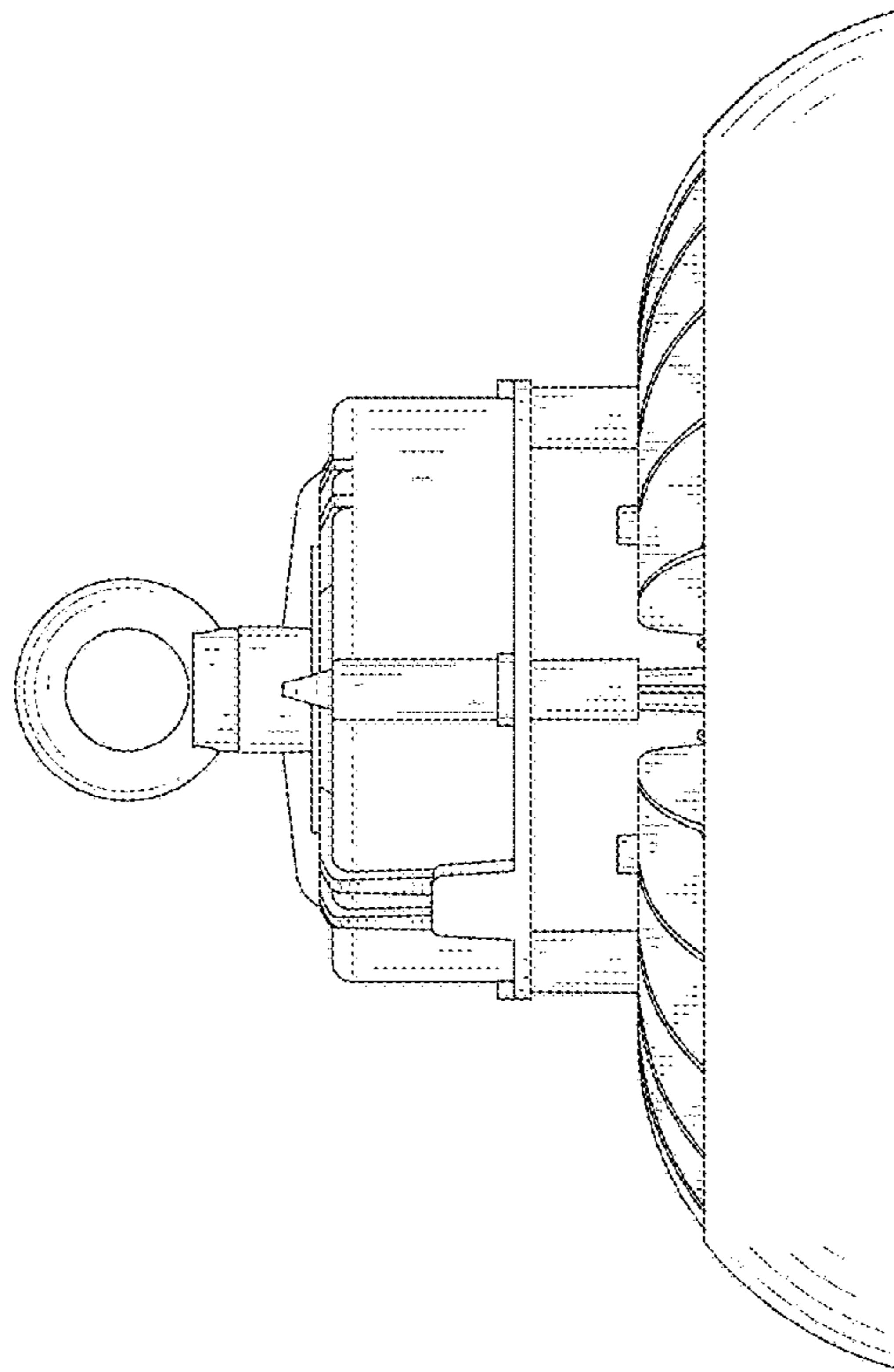


FIG. 3

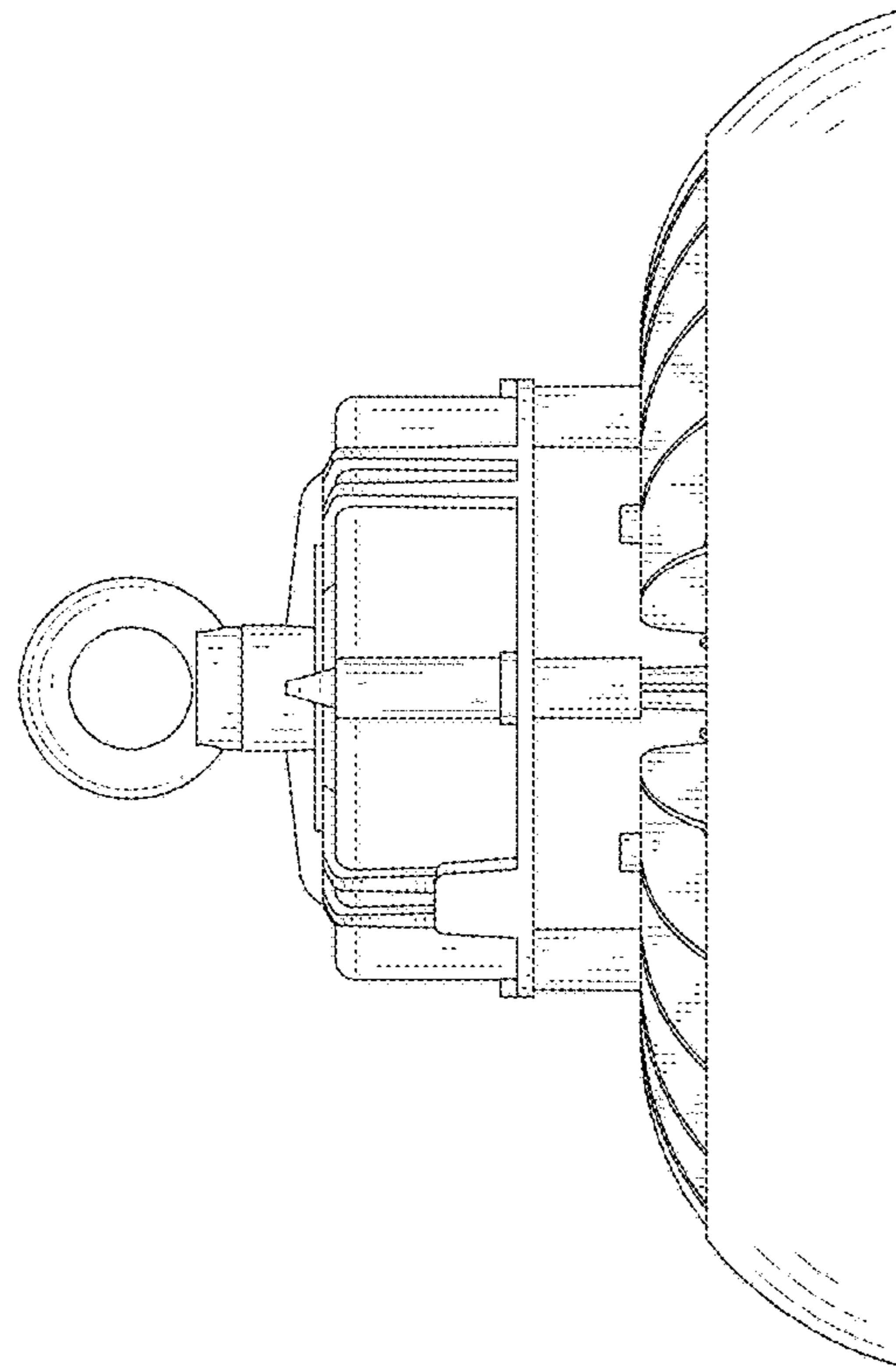


FIG. 4

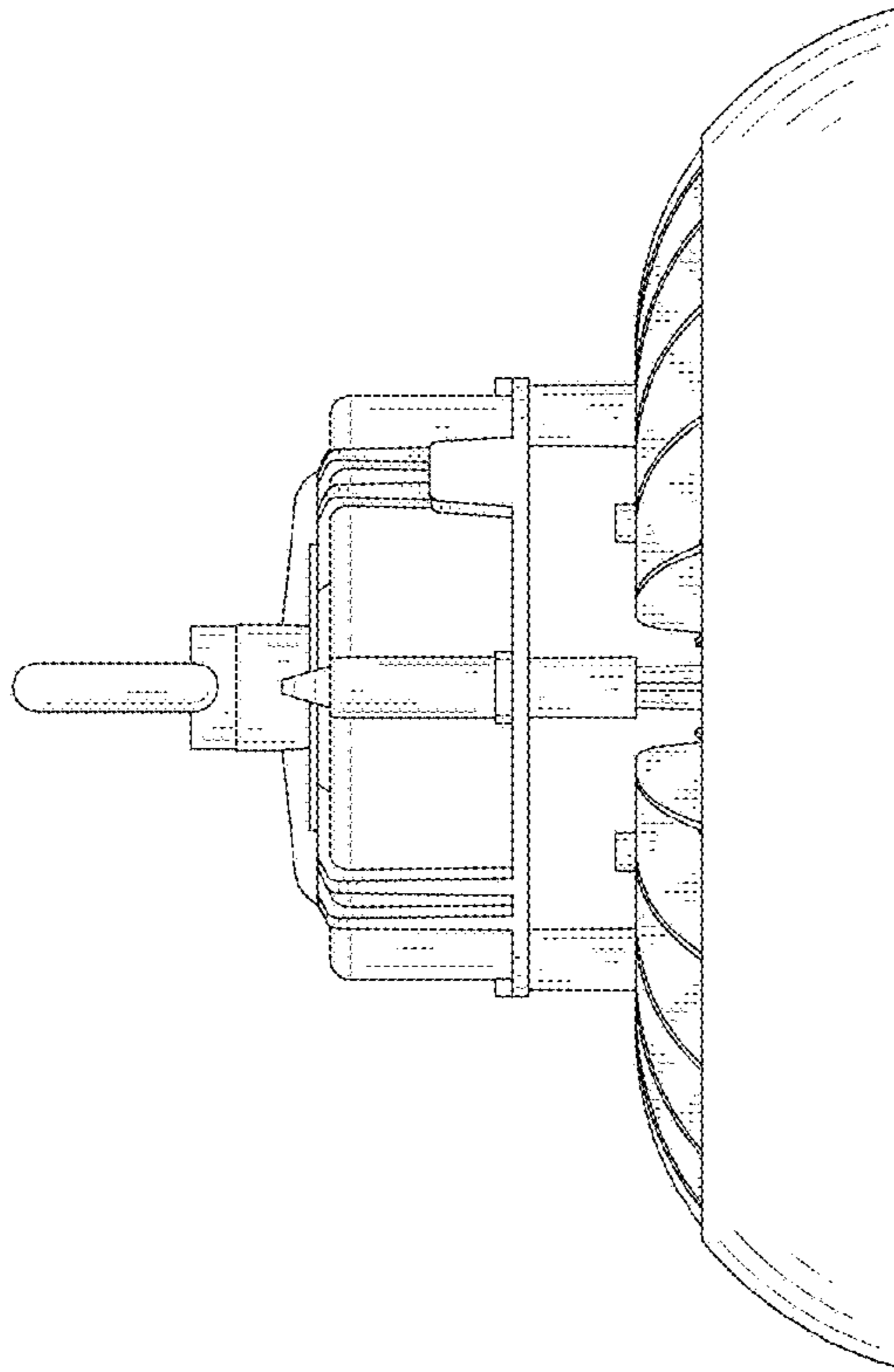


FIG. 5

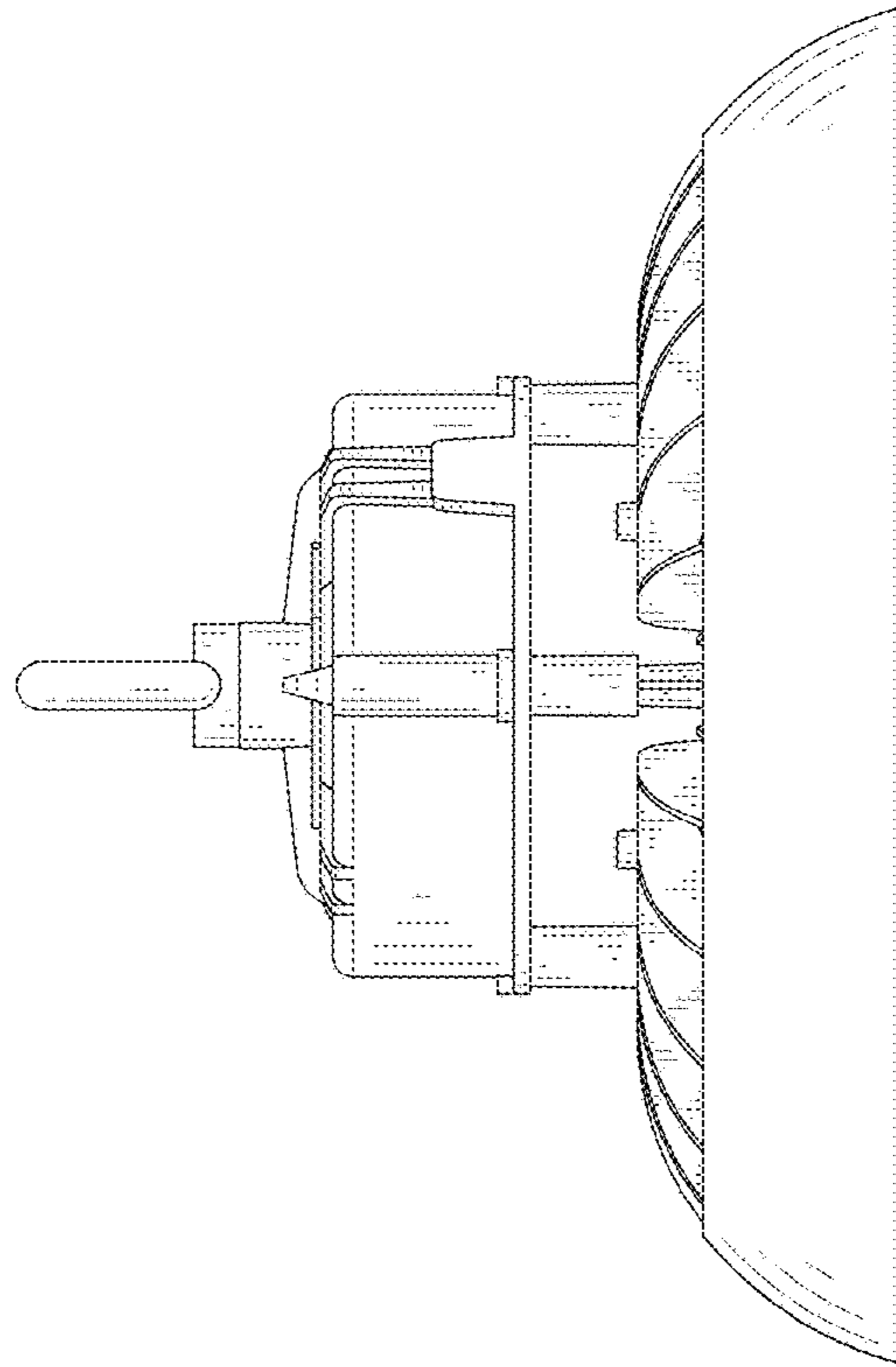


FIG. 6

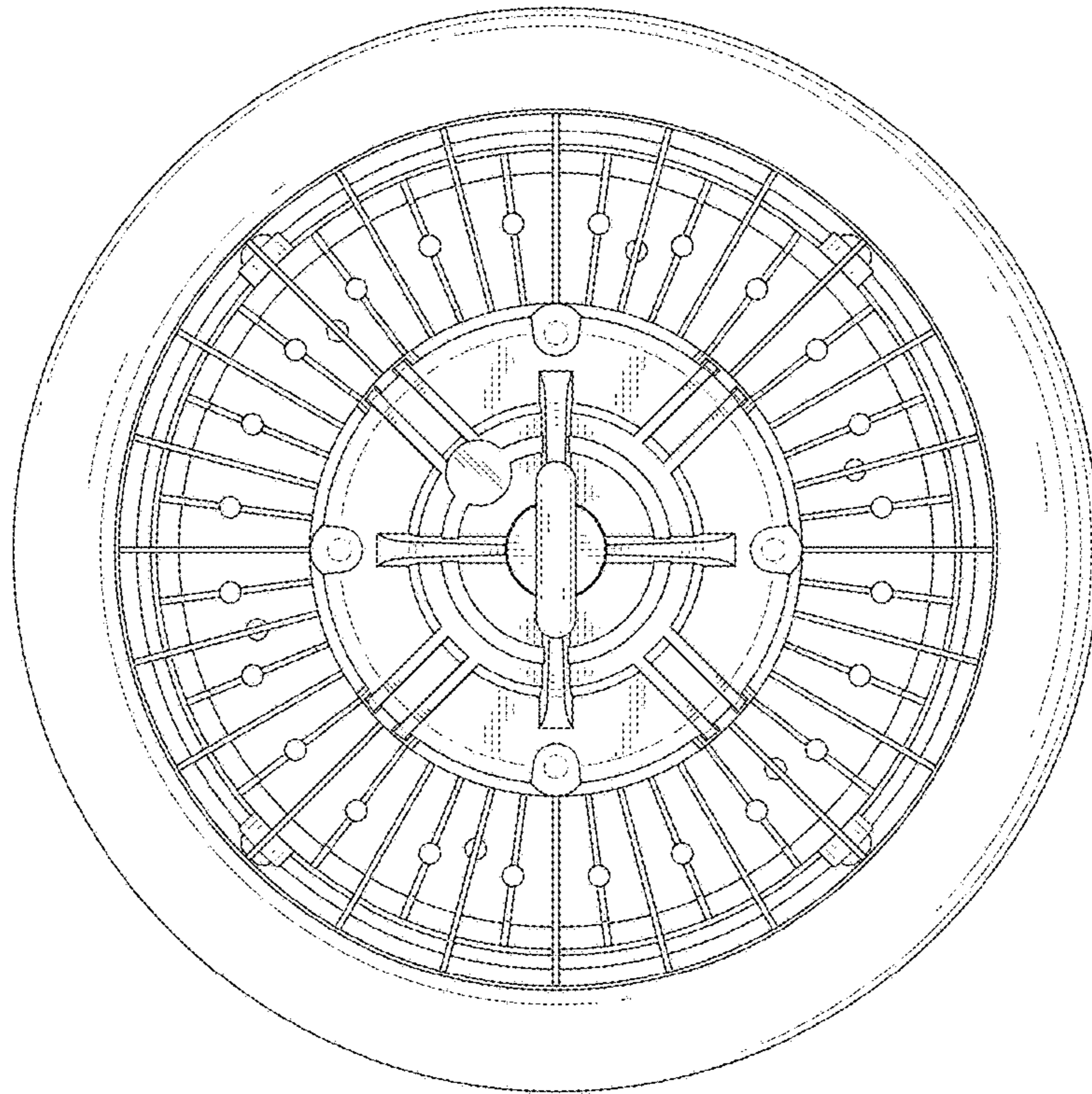


FIG. 7



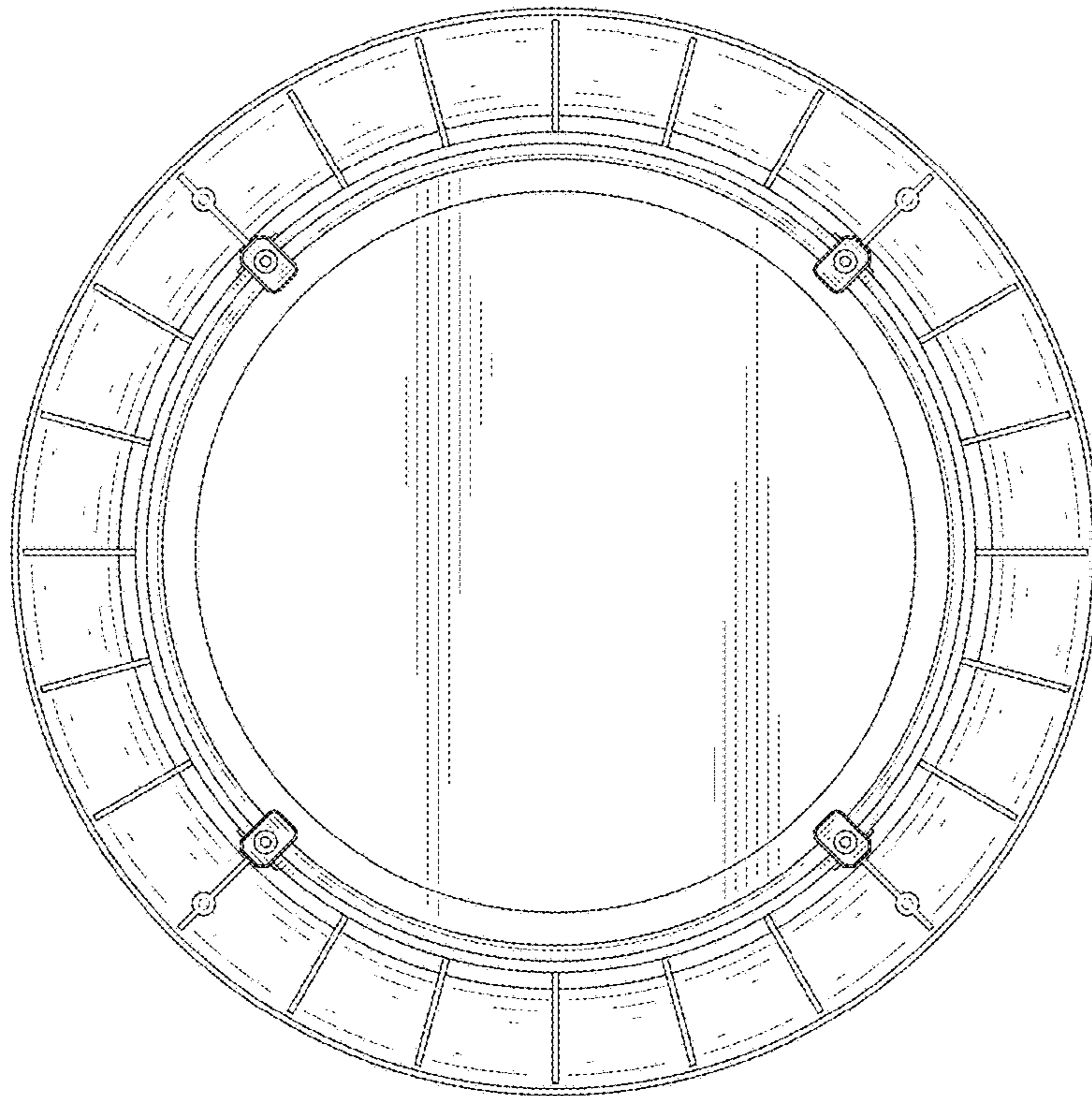


FIG. 8