



US00D857255S

(12) **United States Design Patent**  
**Pan**

(10) **Patent No.:** **US D857,255 S**

(45) **Date of Patent:** **\*\* Aug. 20, 2019**

(54) **LED LAMP**

**DESCRIPTION**

- (71) Applicant: **SHENZHEN SNC OPTO ELECTRONIC CO., LTD**, Shenzhen (CN)
- (72) Inventor: **Nianhua Pan**, Shenzhen (CN)
- (73) Assignee: **SHENZHEN SNC OPTO ELECTRONIC CO., LTD.**, Shenzhen (CN)
- (\*\*) Term: **15 Years**
- (21) Appl. No.: **29/626,077**
- (22) Filed: **Nov. 15, 2017**
- (51) **LOC (12) Cl.** ..... **26-04**
- (52) **U.S. Cl.**  
USPC ..... **D26/2**
- (58) **Field of Classification Search**  
USPC ..... D26/1-4  
CPC ..... H01R 5/00; H01R 13/46; H01R 13/514;  
H01R 31/048; H01R 31/02; H01J 5/00;  
H01J 5/16; H01J 1/02; H01J 15/00; H01J  
5/48; H01J 5/50; H01J 19/54; F21V 5/00;  
F21K 9/00; F21K 13/00  
See application file for complete search history.

FIG. 1 is a perspective view of the LED lamp in accordance with a first embodiment showing my new design;  
 FIG. 2 is similar to FIG. 1, viewed from another aspect;  
 FIG. 3 is a front elevational view thereof;  
 FIG. 4 is a rear elevational view thereof;  
 FIG. 5 is a left side elevational view thereof;  
 FIG. 6 is a right side elevational view thereof;  
 FIG. 7 is a top plan view thereof;  
 FIG. 8 is a bottom plan view thereof;  
 FIG. 9 is a perspective view of the LED lamp in accordance with a second embodiment;  
 FIG. 10 is similar to FIG. 9, viewed from another aspect;  
 FIG. 11 is a front elevational view thereof;  
 FIG. 12 is a rear elevational view thereof;  
 FIG. 13 is a left side elevational view thereof;  
 FIG. 14 is a right side elevational view thereof;  
 FIG. 15 is a top plan view thereof;  
 FIG. 16 is a bottom plan view thereof;  
 FIG. 17 is a perspective view of the LED lamp in accordance with a third embodiment;  
 FIG. 18 is similar to FIG. 17, viewed from another aspect;  
 FIG. 19 is a front elevational view thereof;  
 FIG. 20 is a rear elevational view thereof;  
 FIG. 21 is a left side elevational view thereof;  
 FIG. 22 is a right side elevational view thereof;  
 FIG. 23 is a top plan view thereof;  
 FIG. 24 is a bottom plan view thereof;  
 FIG. 25 is a perspective view of the LED lamp in accordance with a fourth embodiment;  
 FIG. 26 is similar to FIG. 25, viewed from another aspect;  
 FIG. 27 is a front elevational view thereof;  
 FIG. 28 is a rear elevational view thereof;  
 FIG. 29 is a left side elevational view thereof;  
 FIG. 30 is a right side elevational view thereof;  
 FIG. 31 is a top plan view thereof; and,  
 FIG. 32 is a bottom plan view thereof.

(56) **References Cited**

**U.S. PATENT DOCUMENTS**

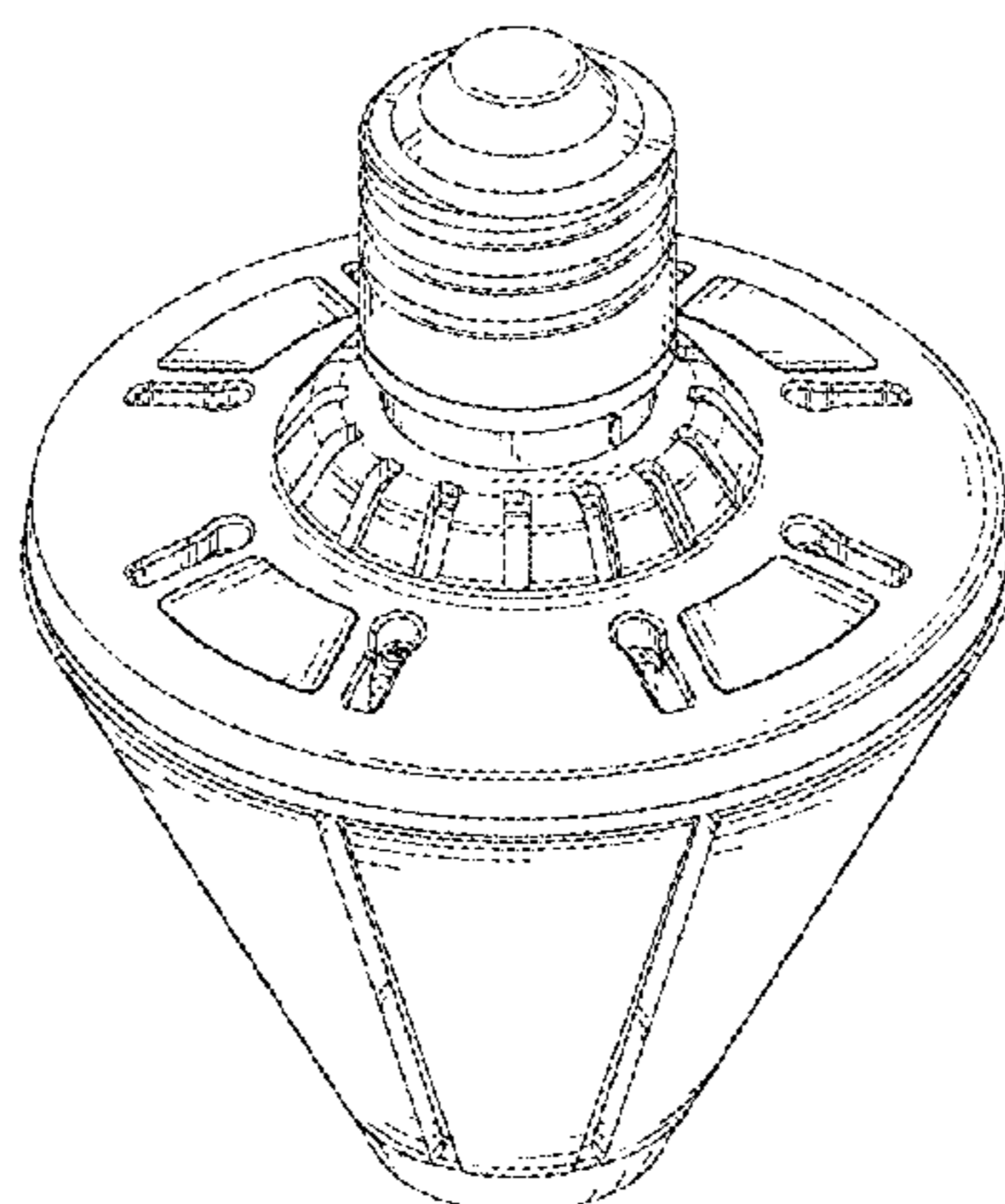
- D566,300 S \* 4/2008 Lo ..... D26/2
  - D570,504 S \* 6/2008 Maxik ..... D26/2
- (Continued)

*Primary Examiner* — Marcus A Jackson

(57) **CLAIM**

The ornamental design for a LED lamp, as shown and described.

**1 Claim, 32 Drawing Sheets**



(56)

**References Cited**

U.S. PATENT DOCUMENTS

D572,385 S \* 7/2008 Mazzoquette ..... D26/2  
D628,720 S \* 12/2010 Wang ..... D26/2

\* cited by examiner

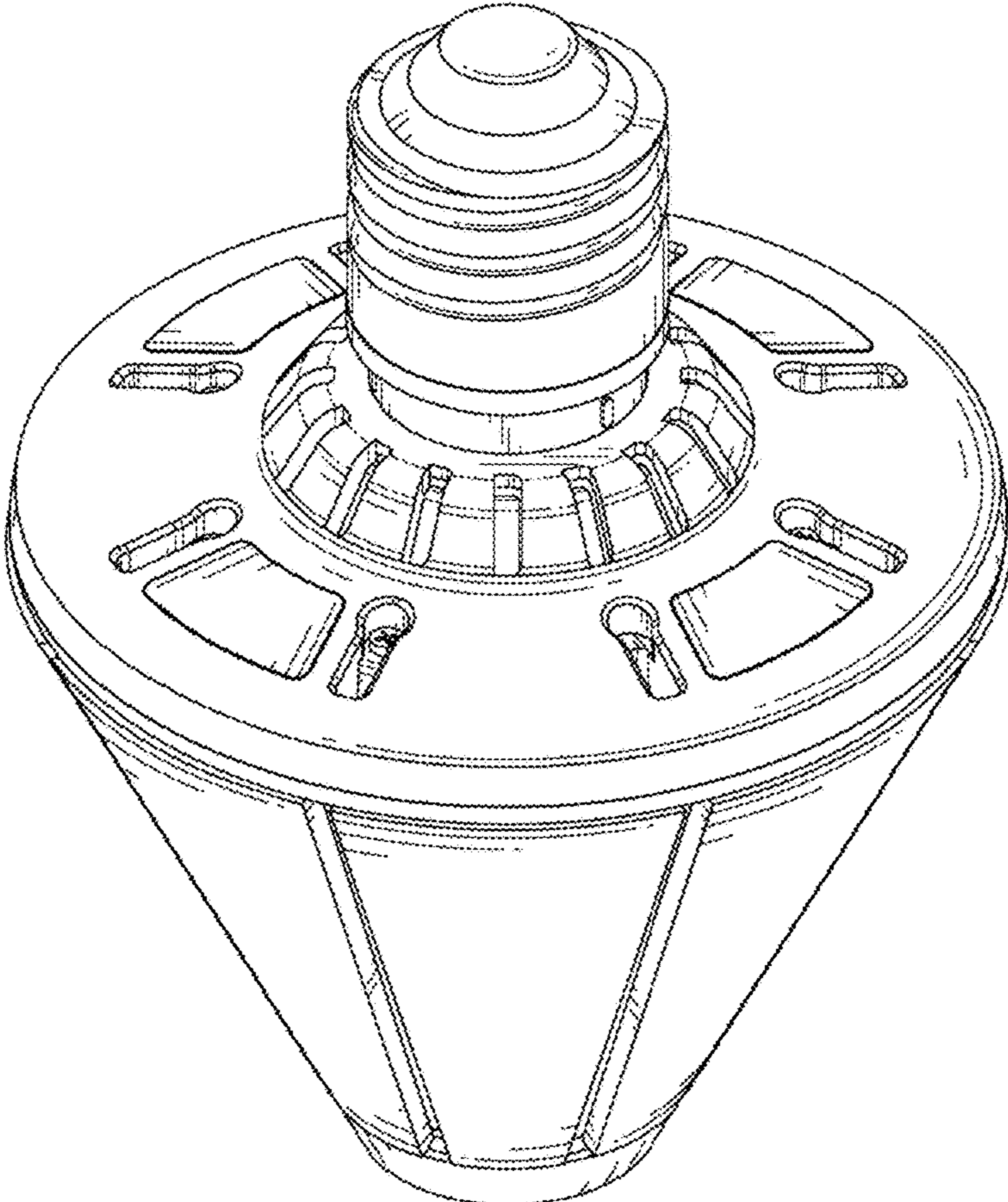


FIG. 1

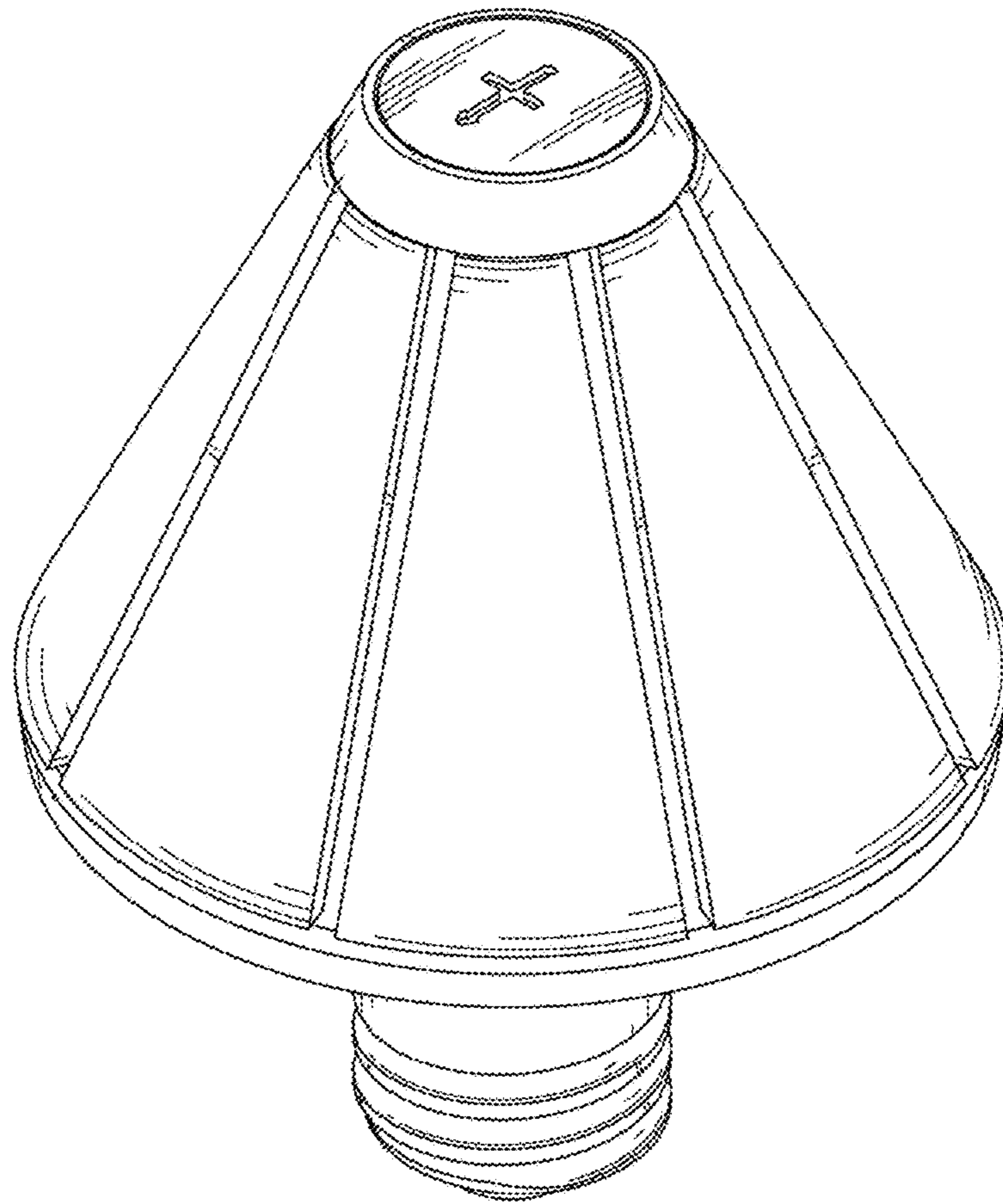


FIG. 2

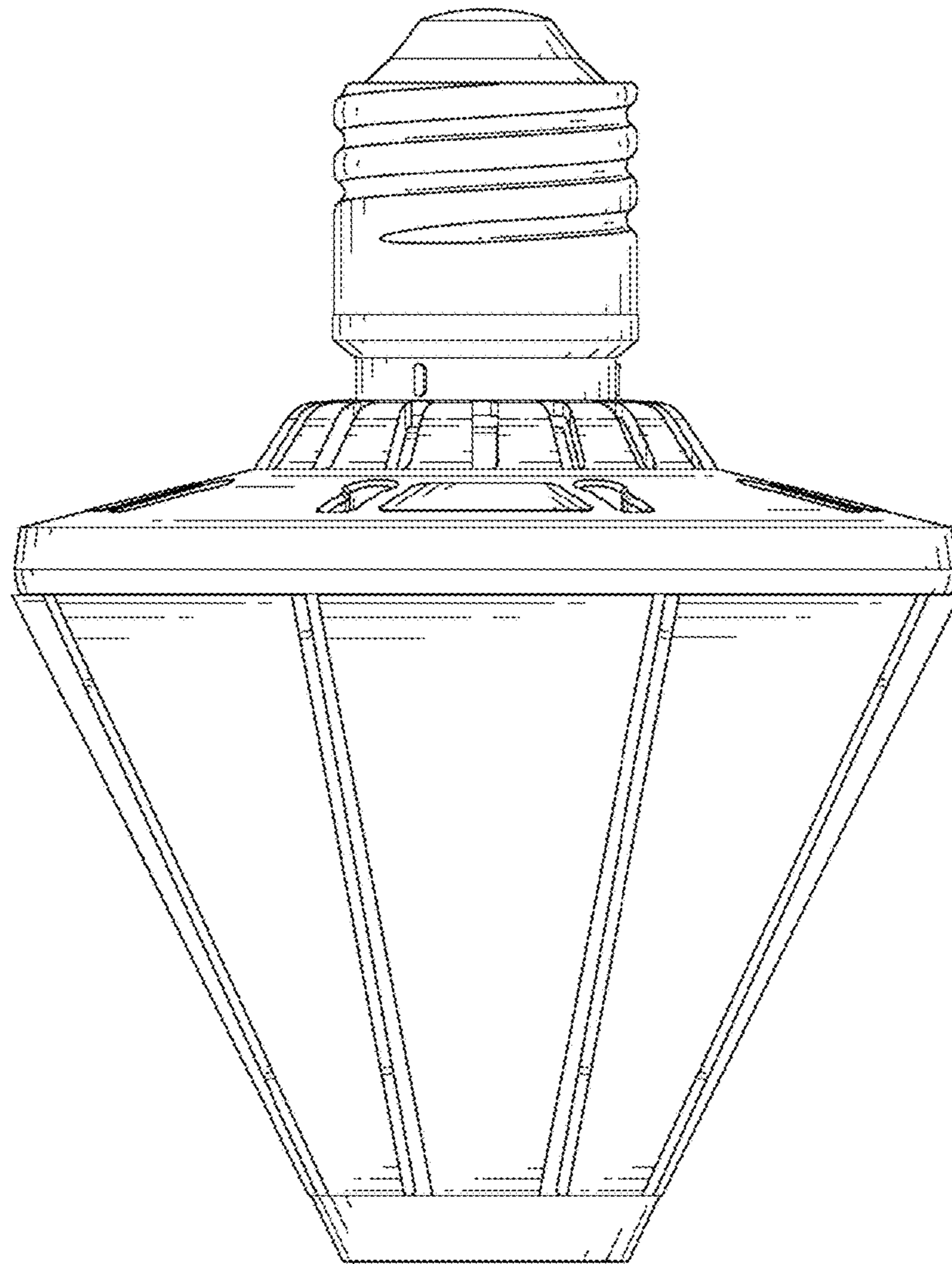


FIG. 3

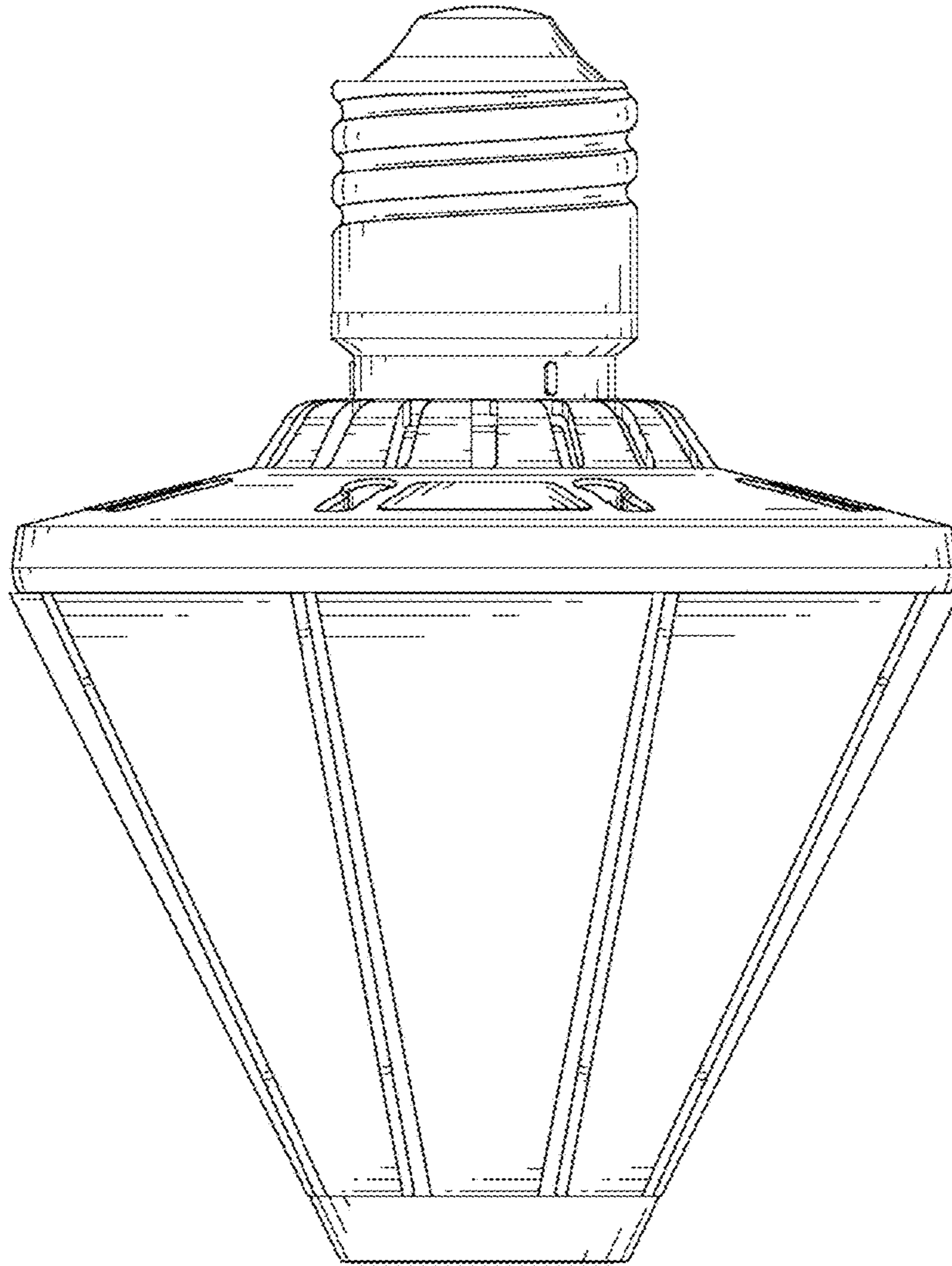


FIG. 4

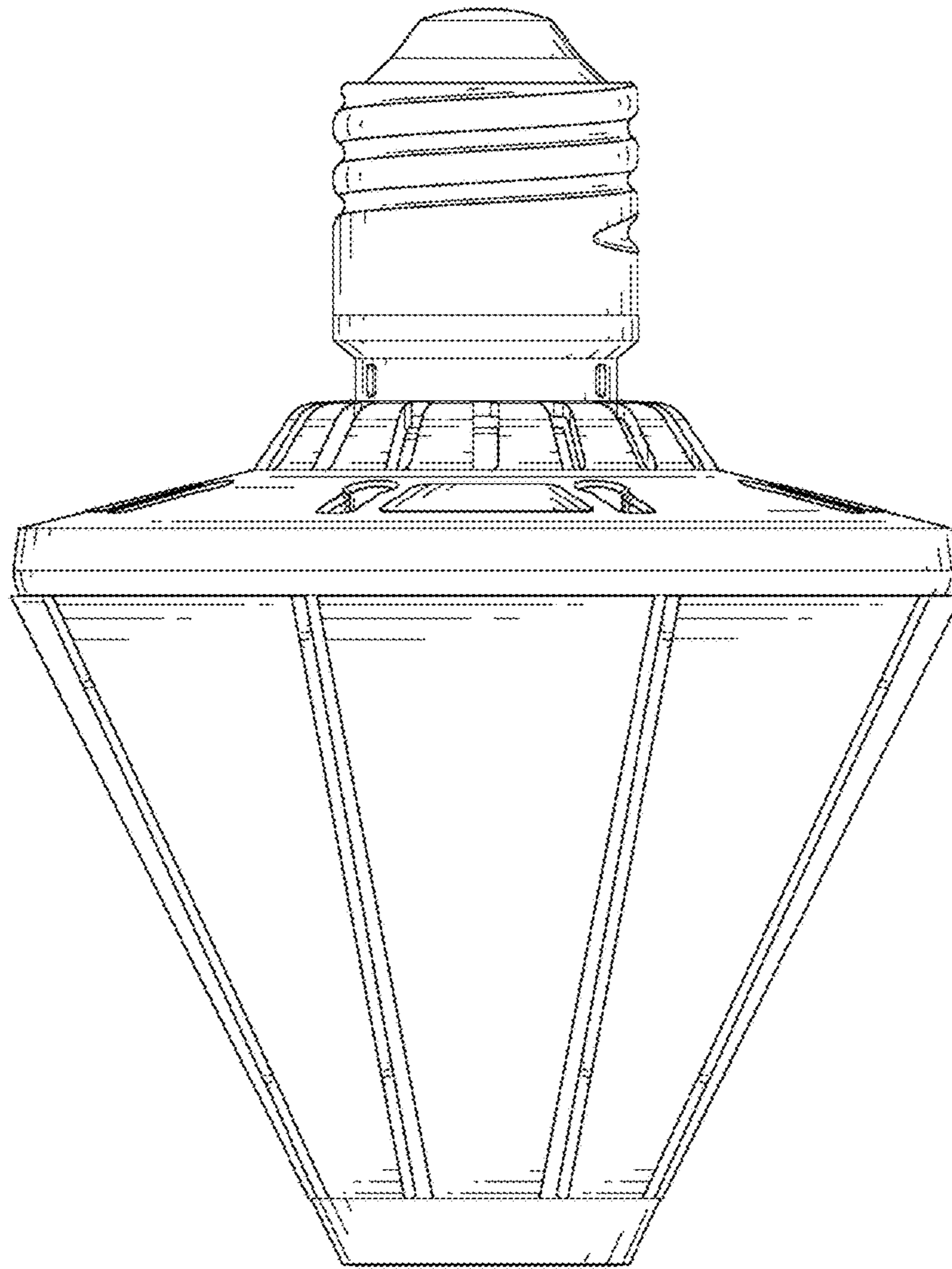


FIG. 5

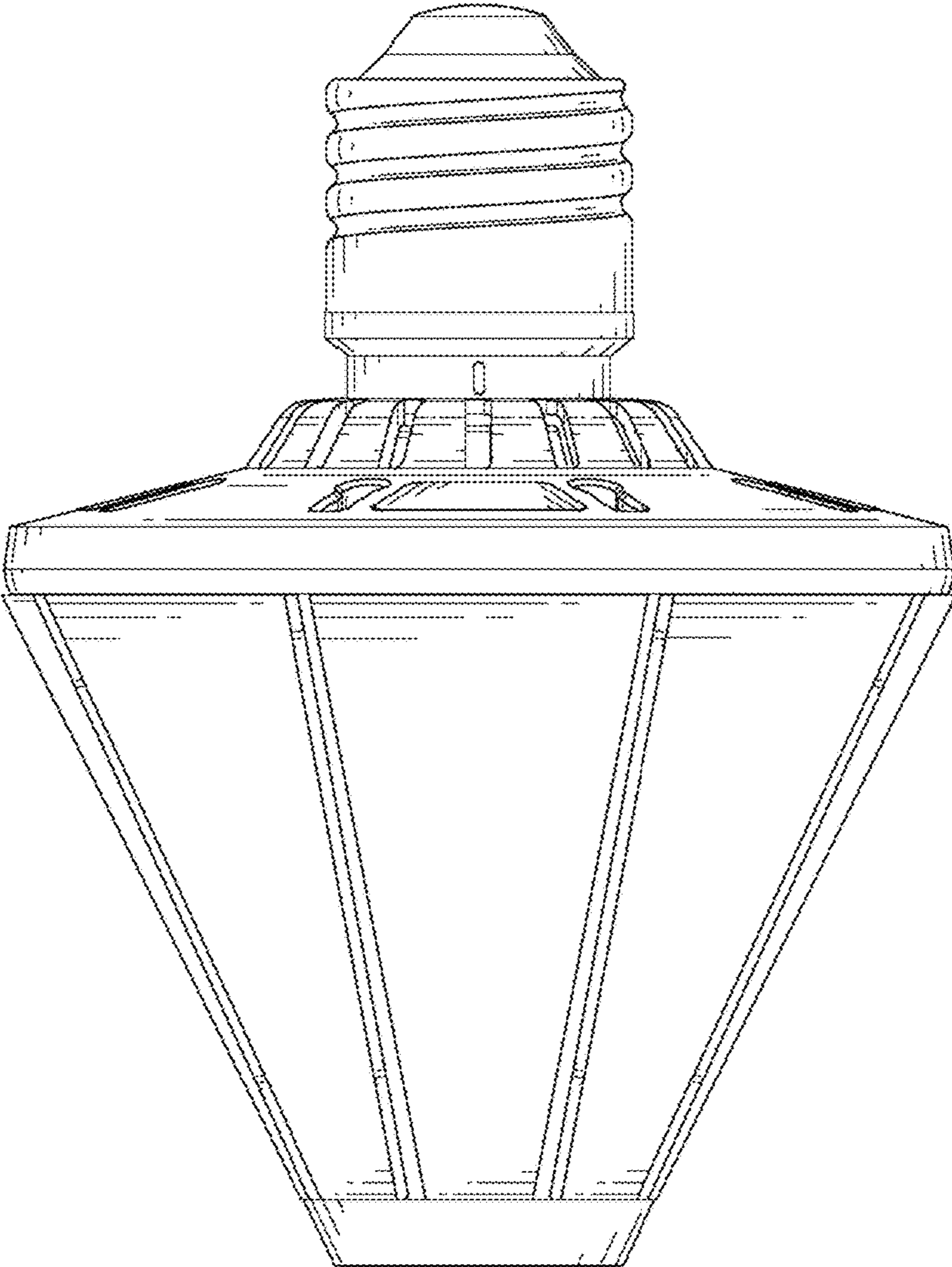


FIG. 6



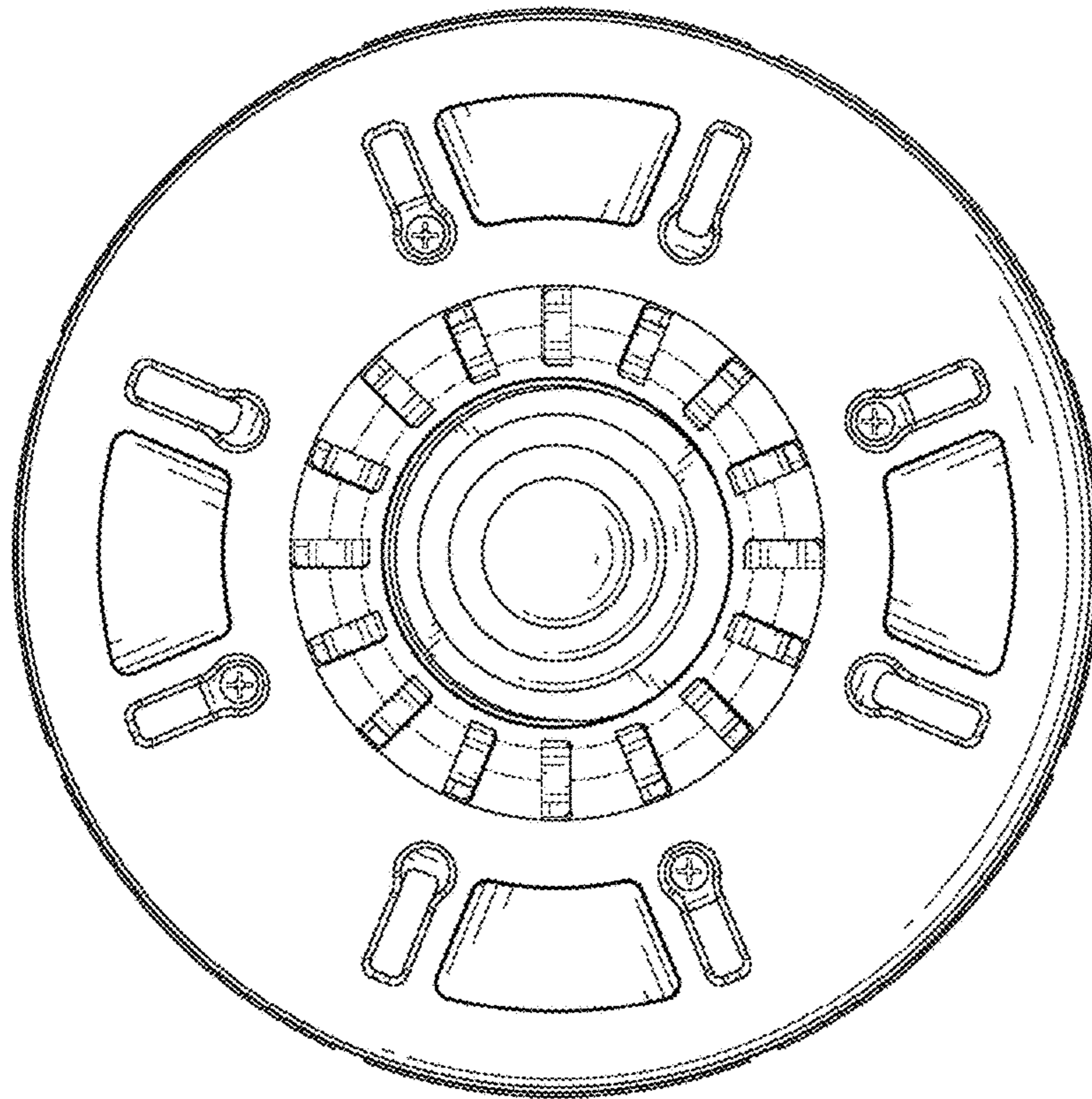


FIG. 7

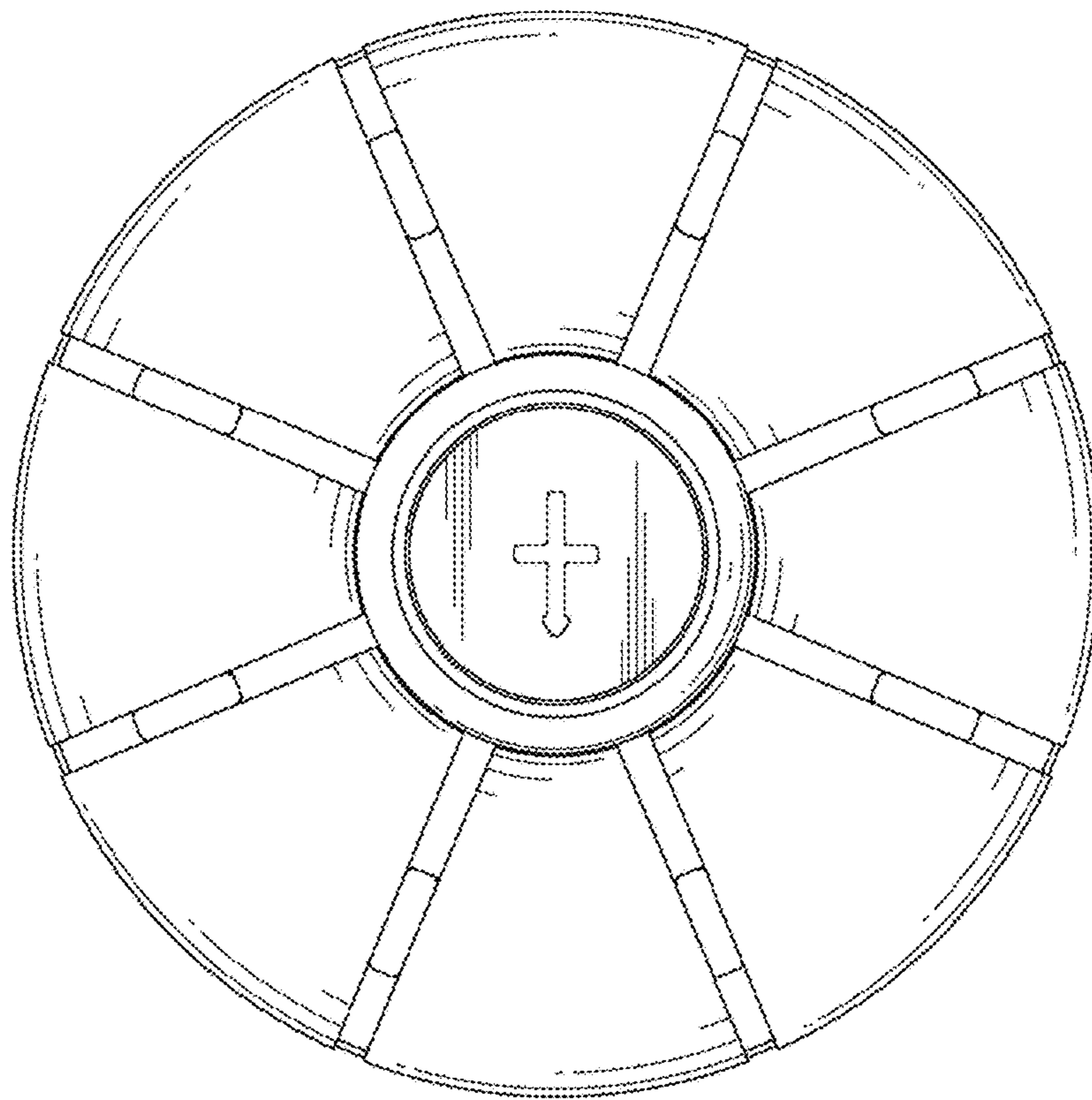


FIG. 8

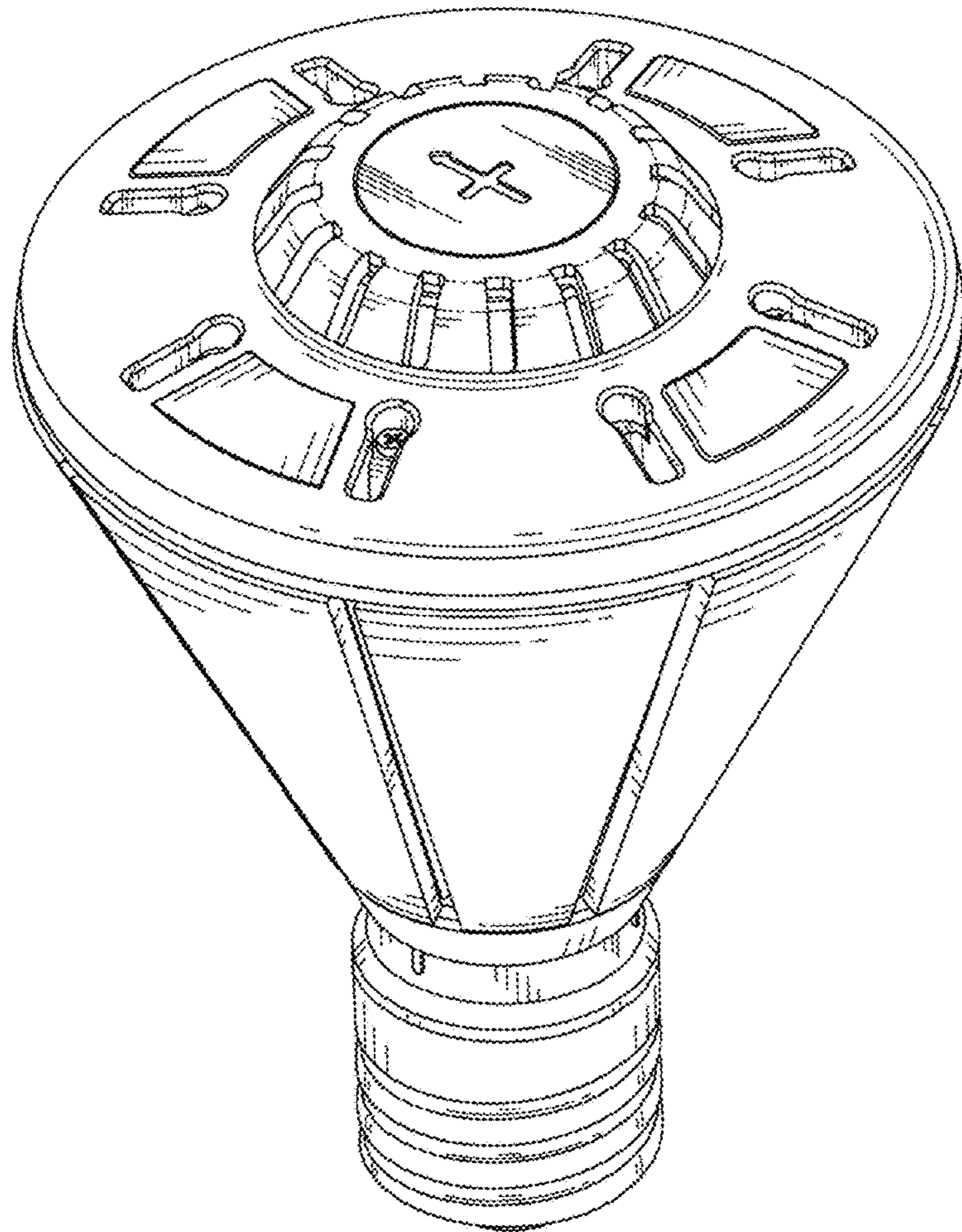


FIG. 9

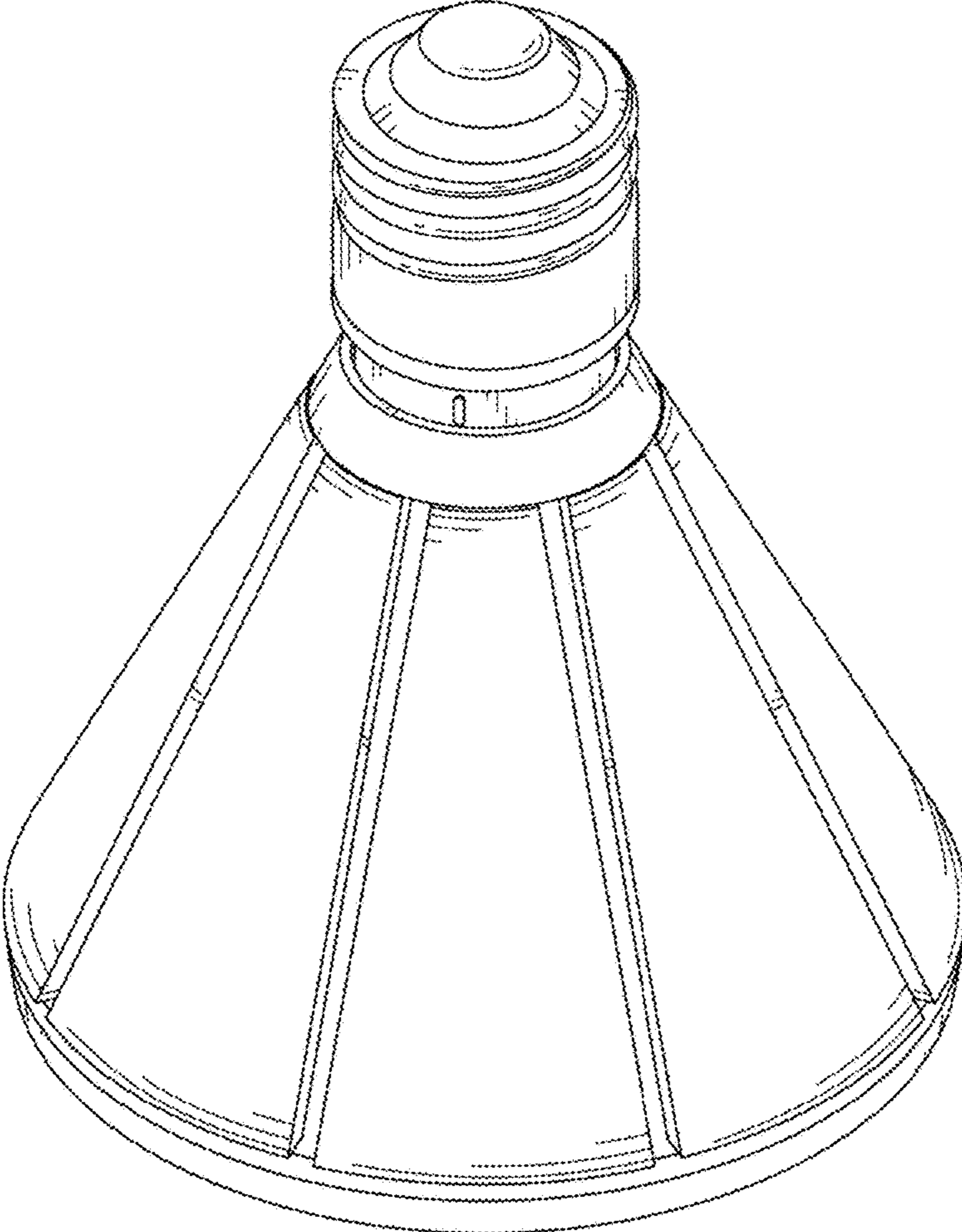


FIG. 10

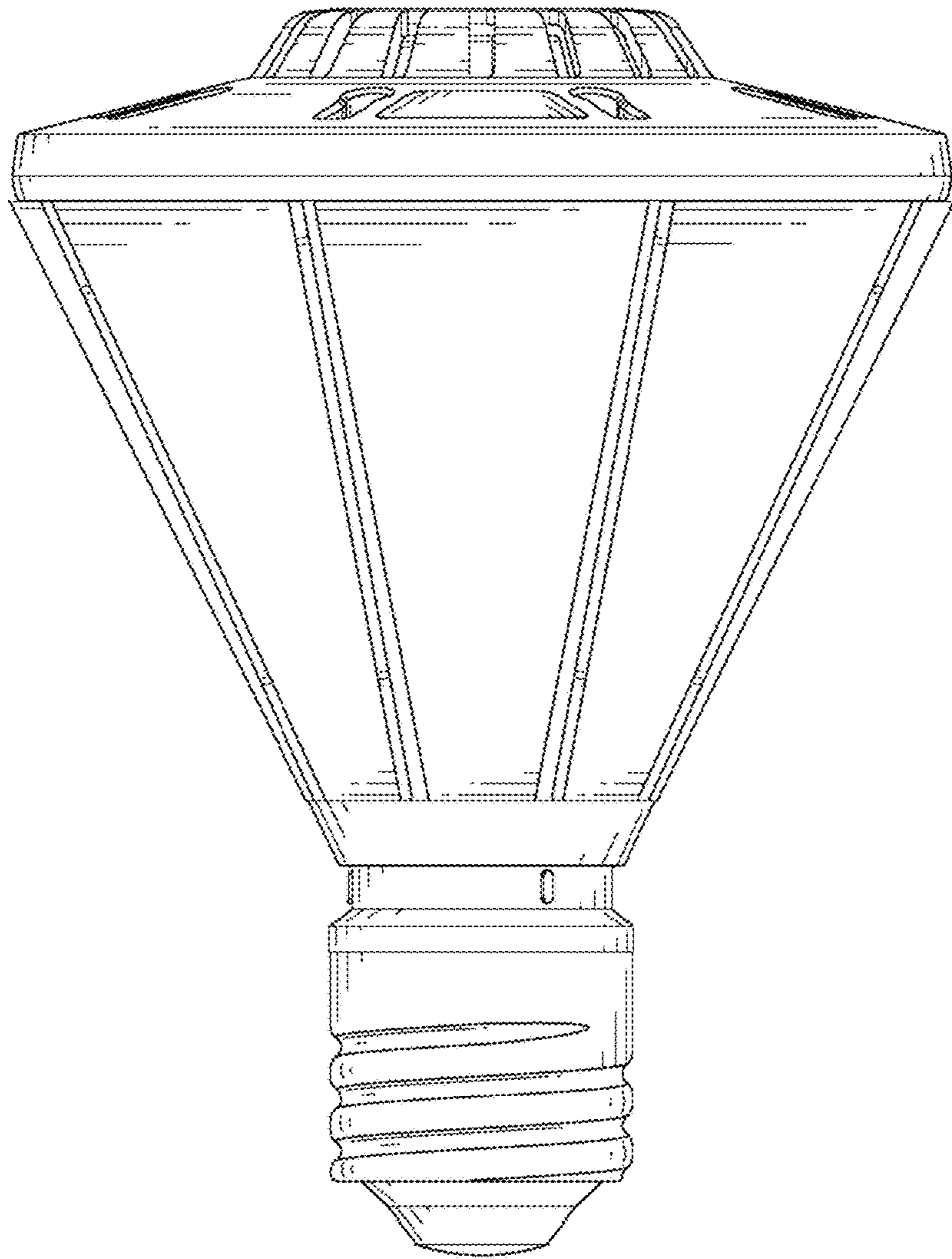


FIG. 11

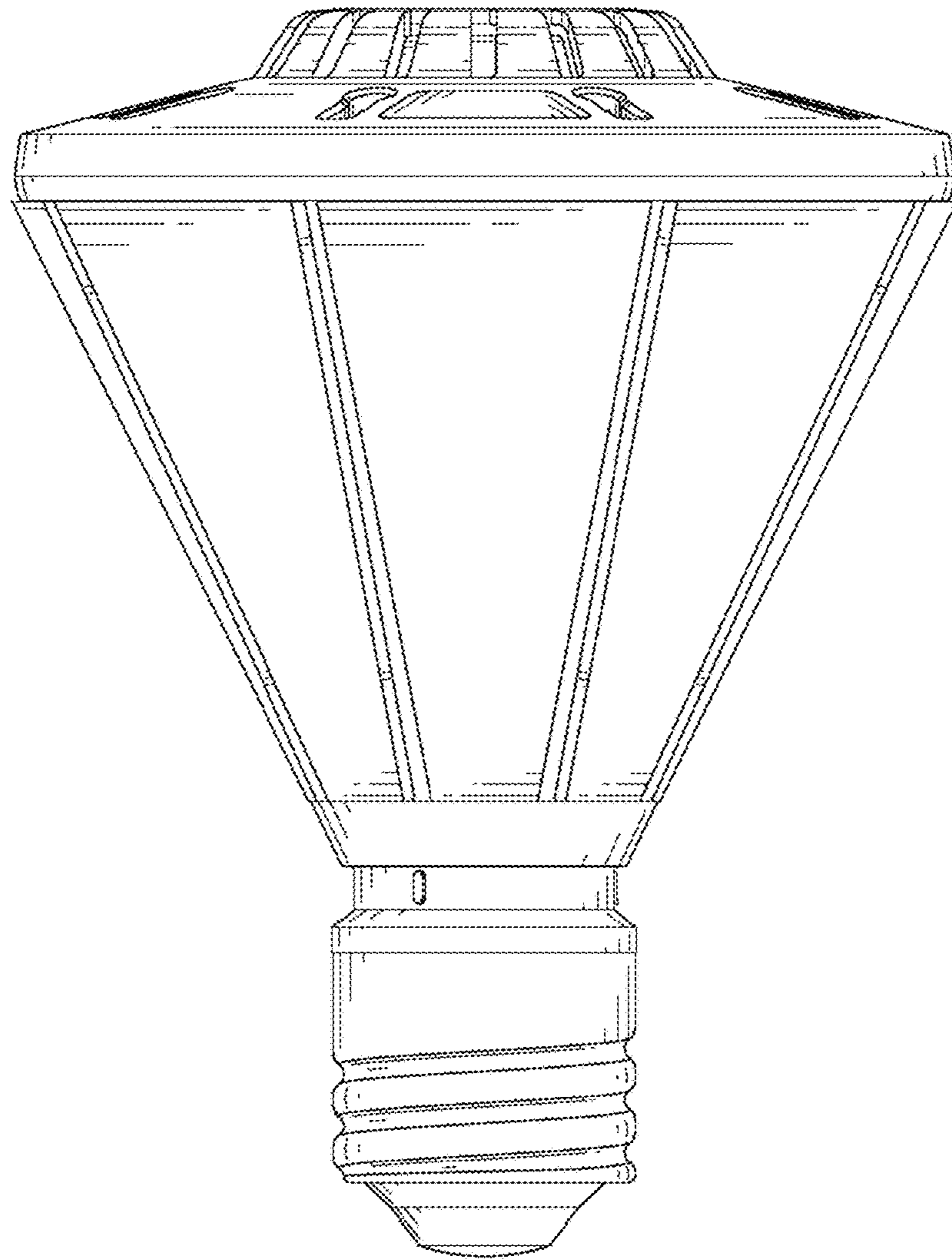


FIG. 12

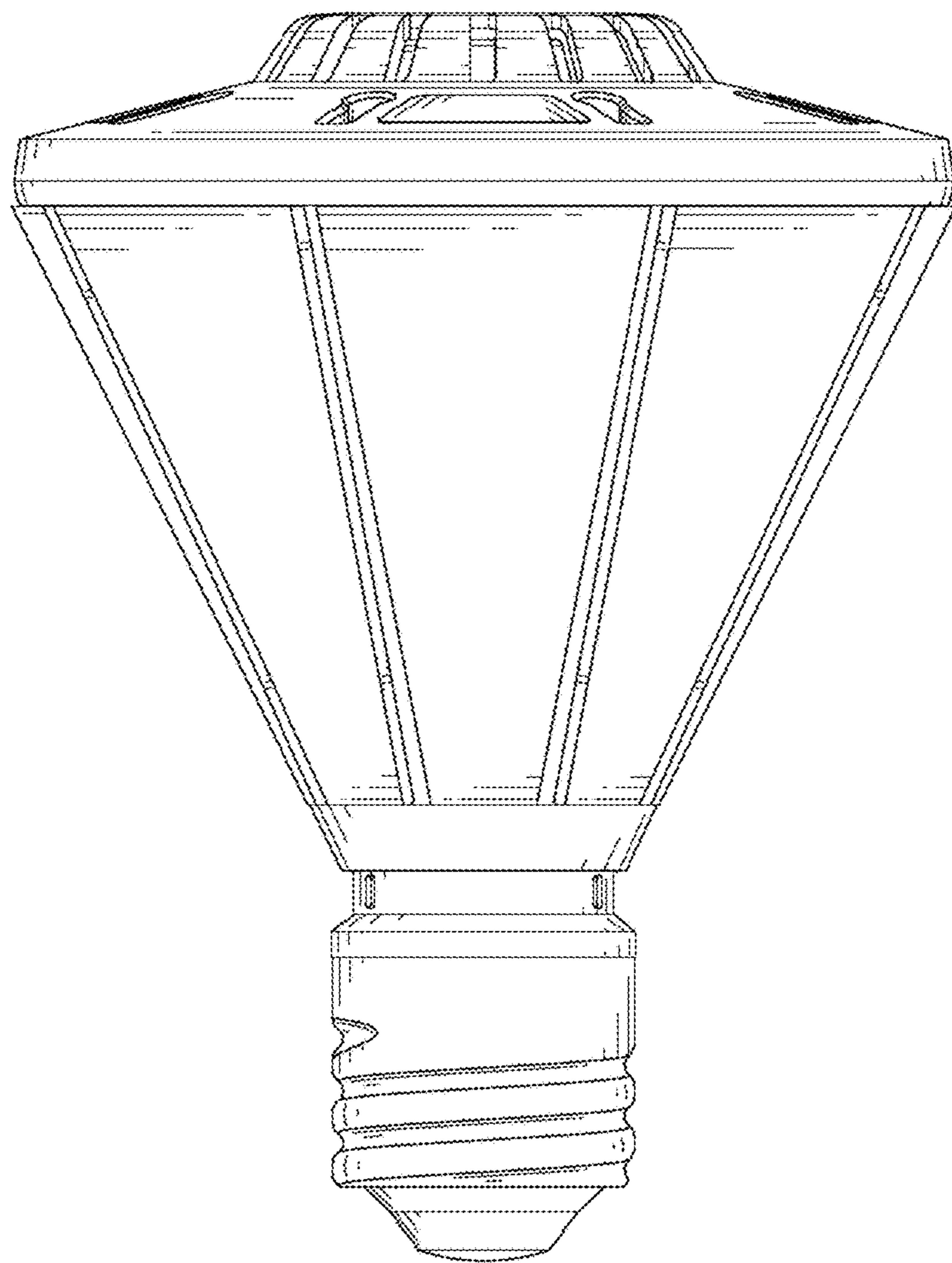


FIG. 13

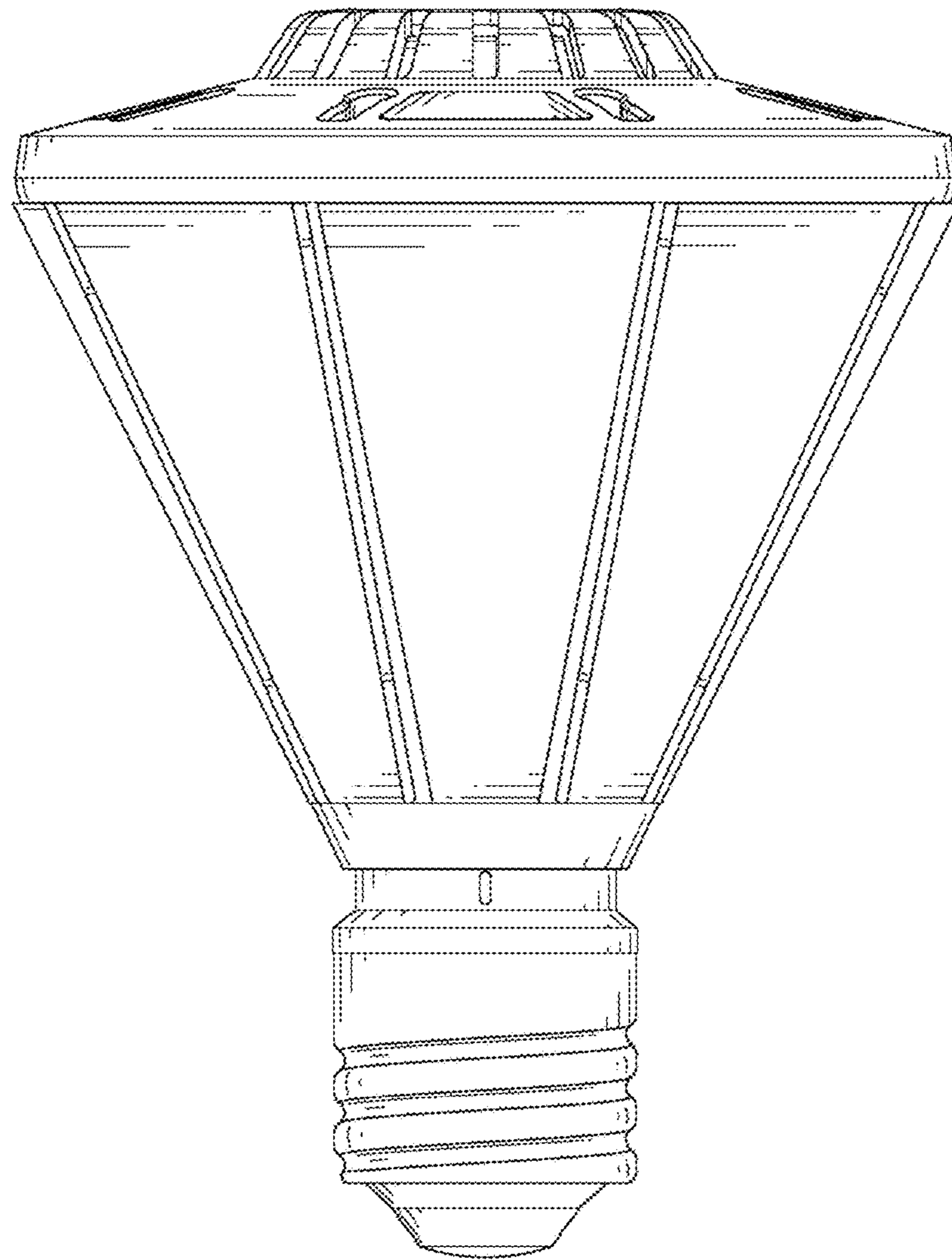


FIG. 14



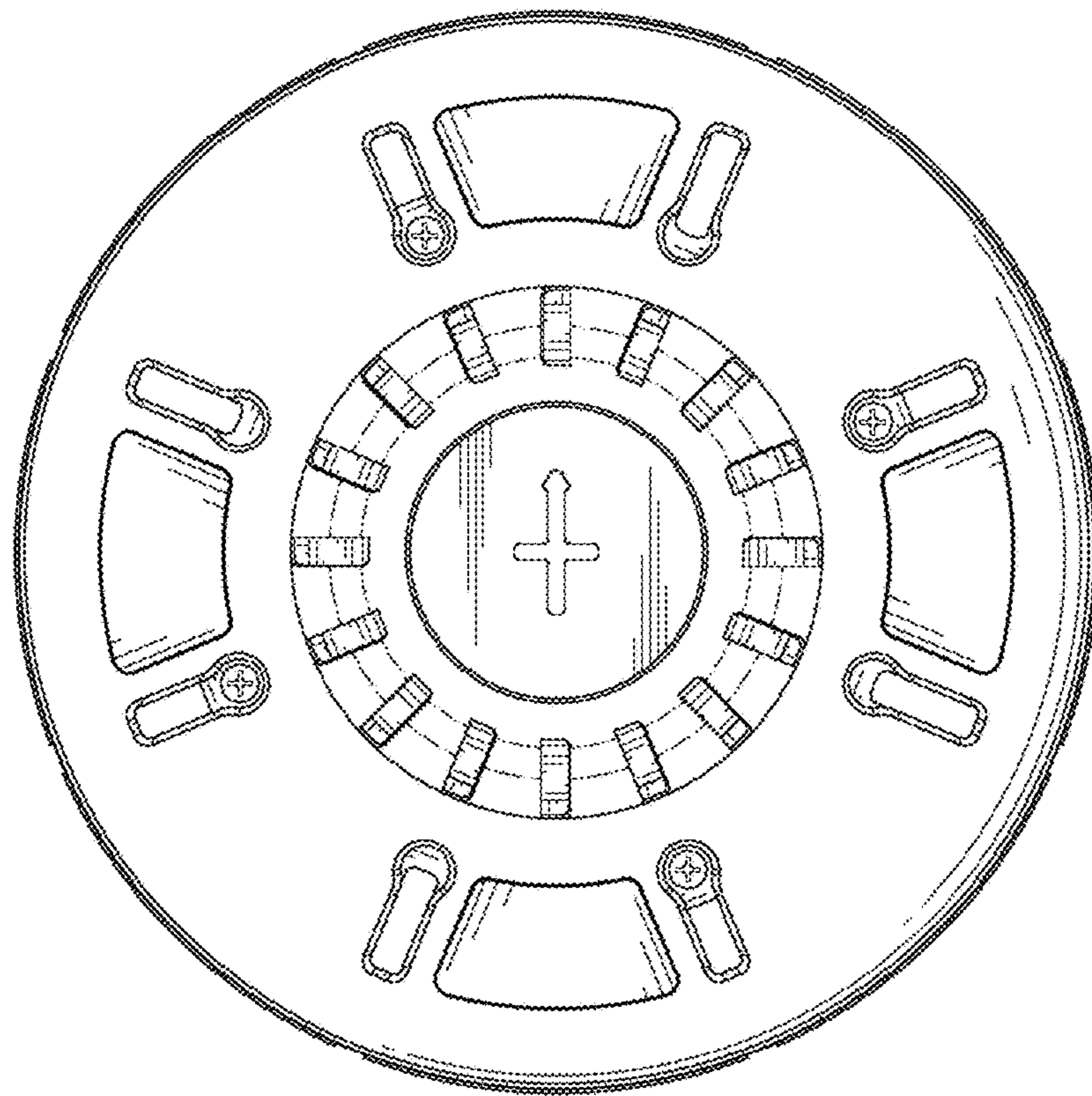


FIG. 15

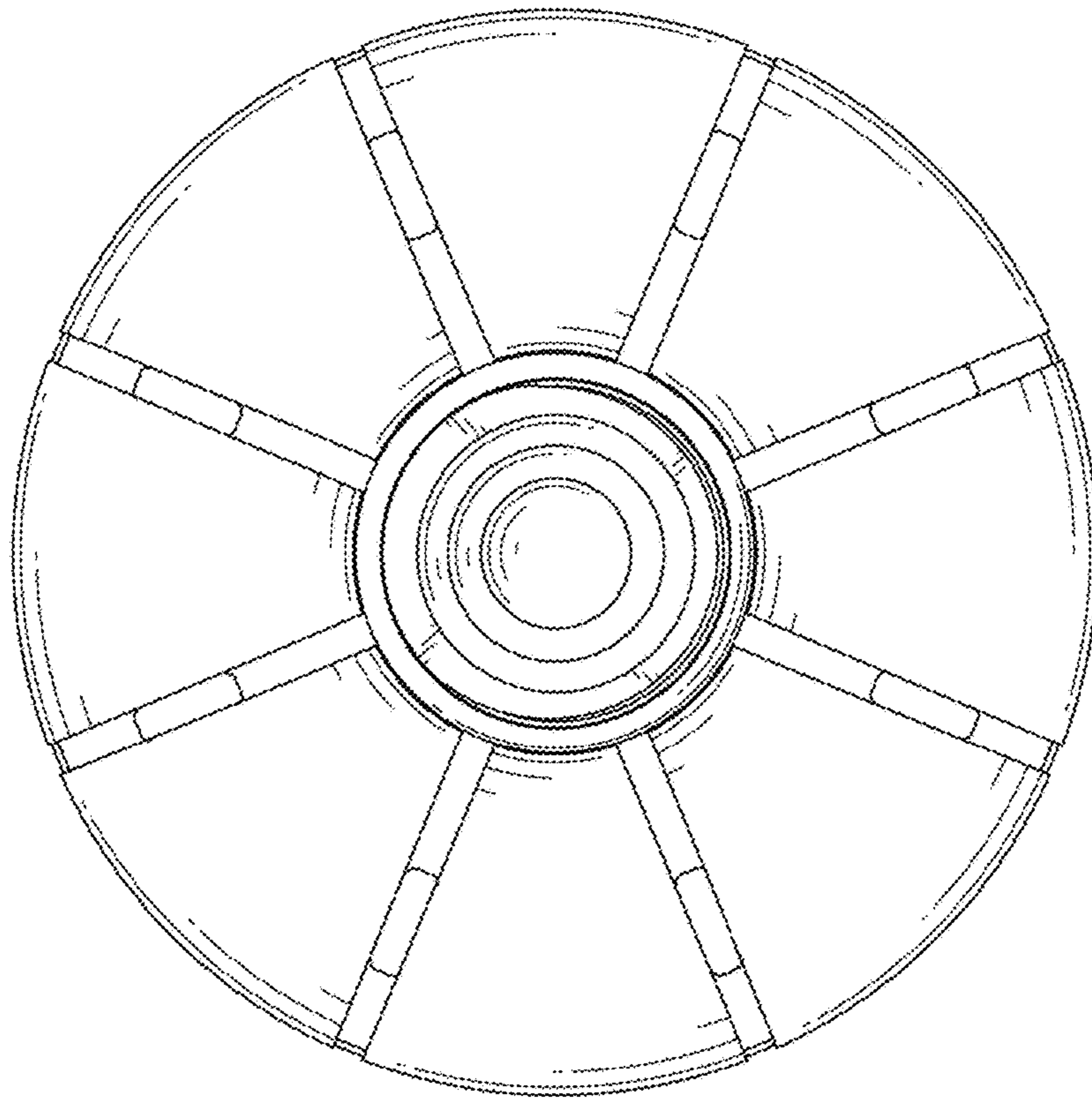


FIG. 16

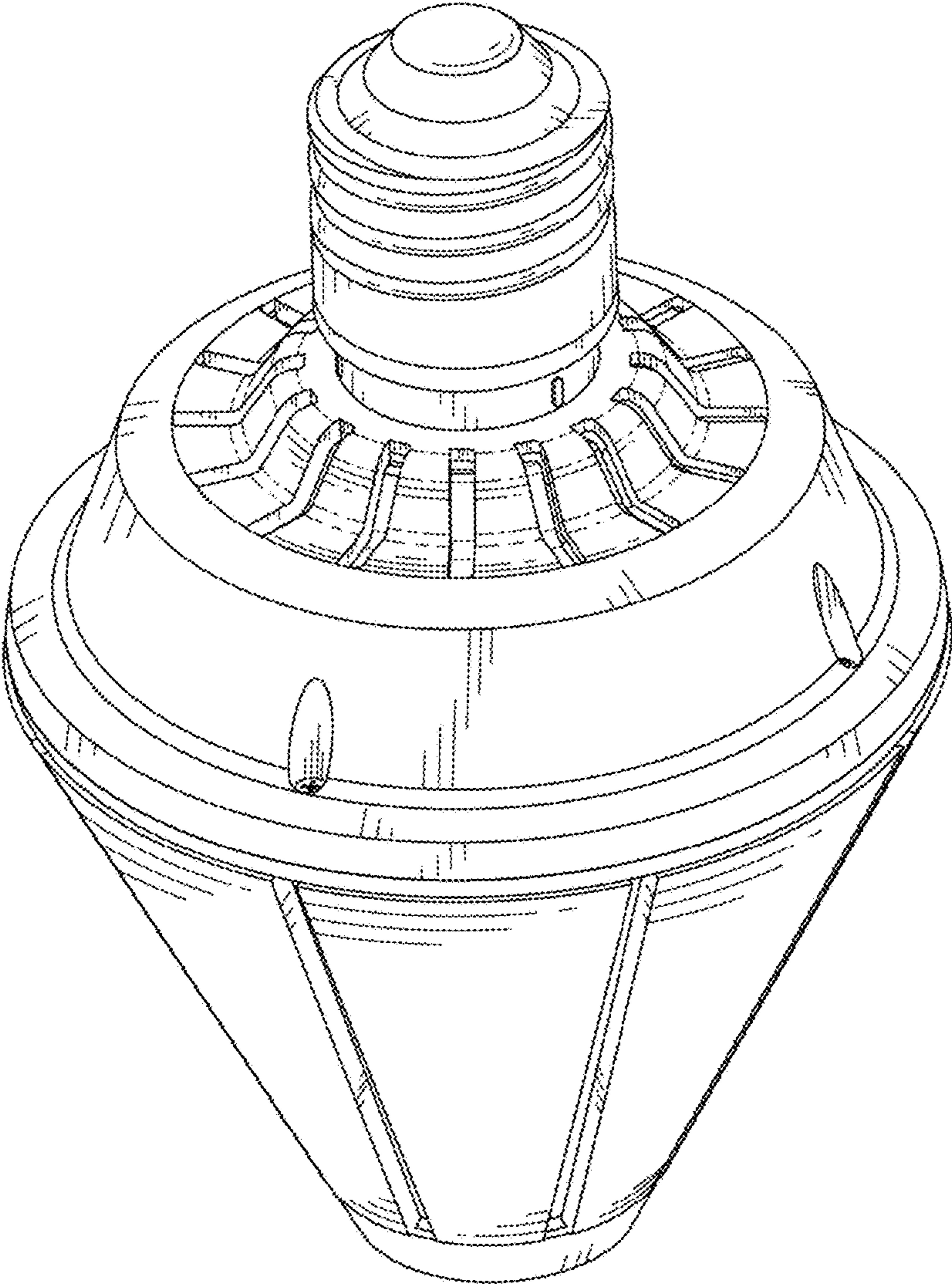


FIG. 17

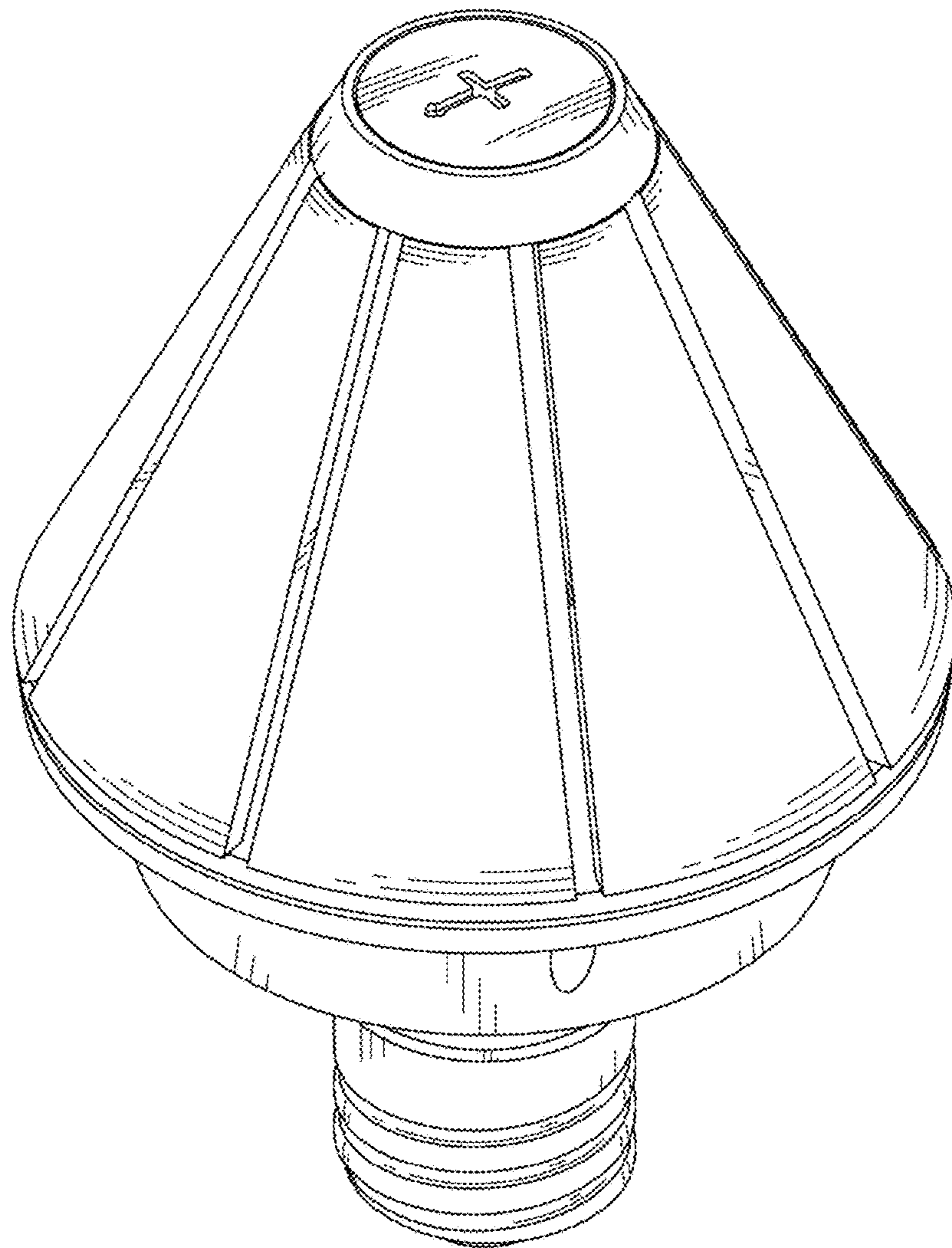


FIG. 18

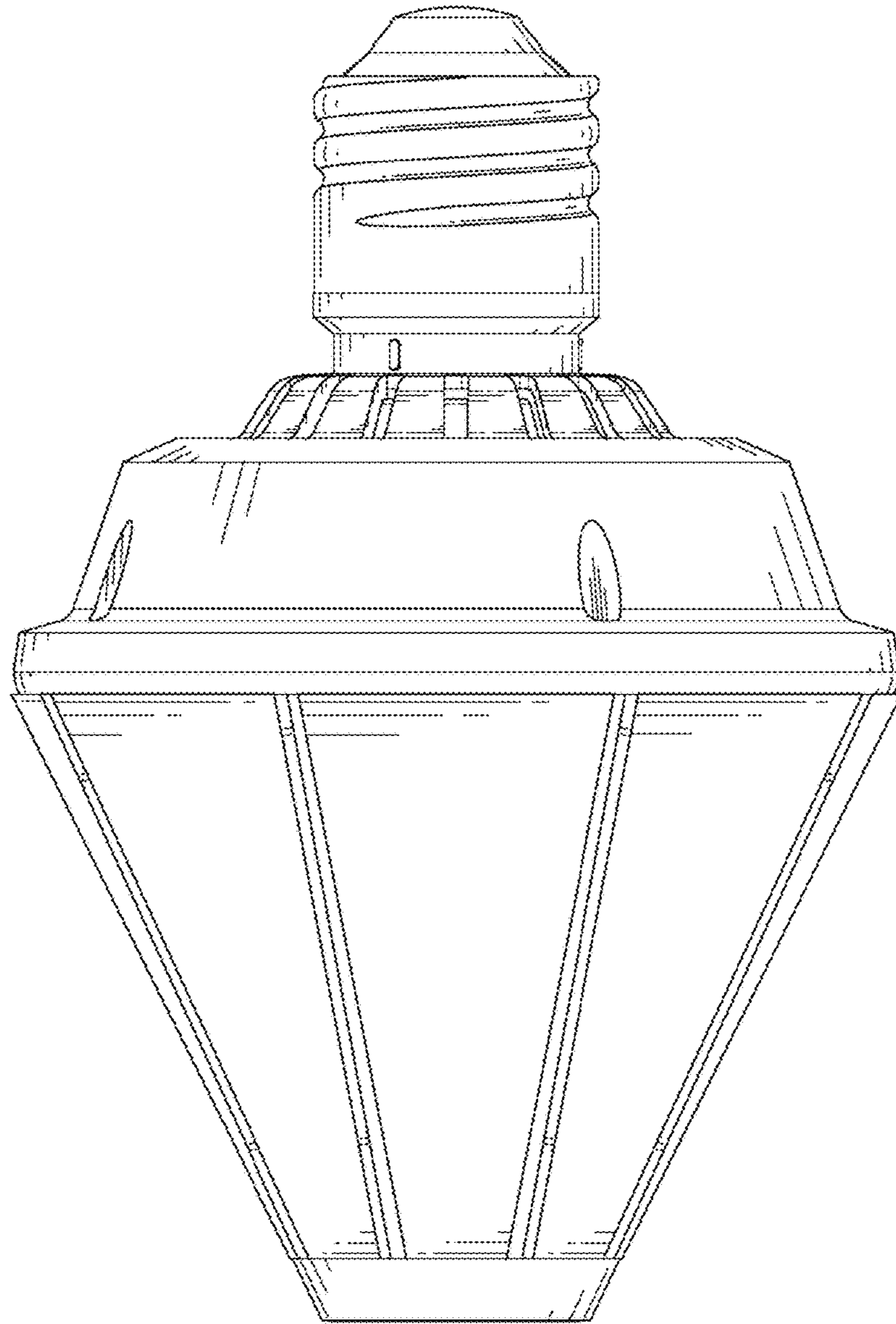


FIG. 19

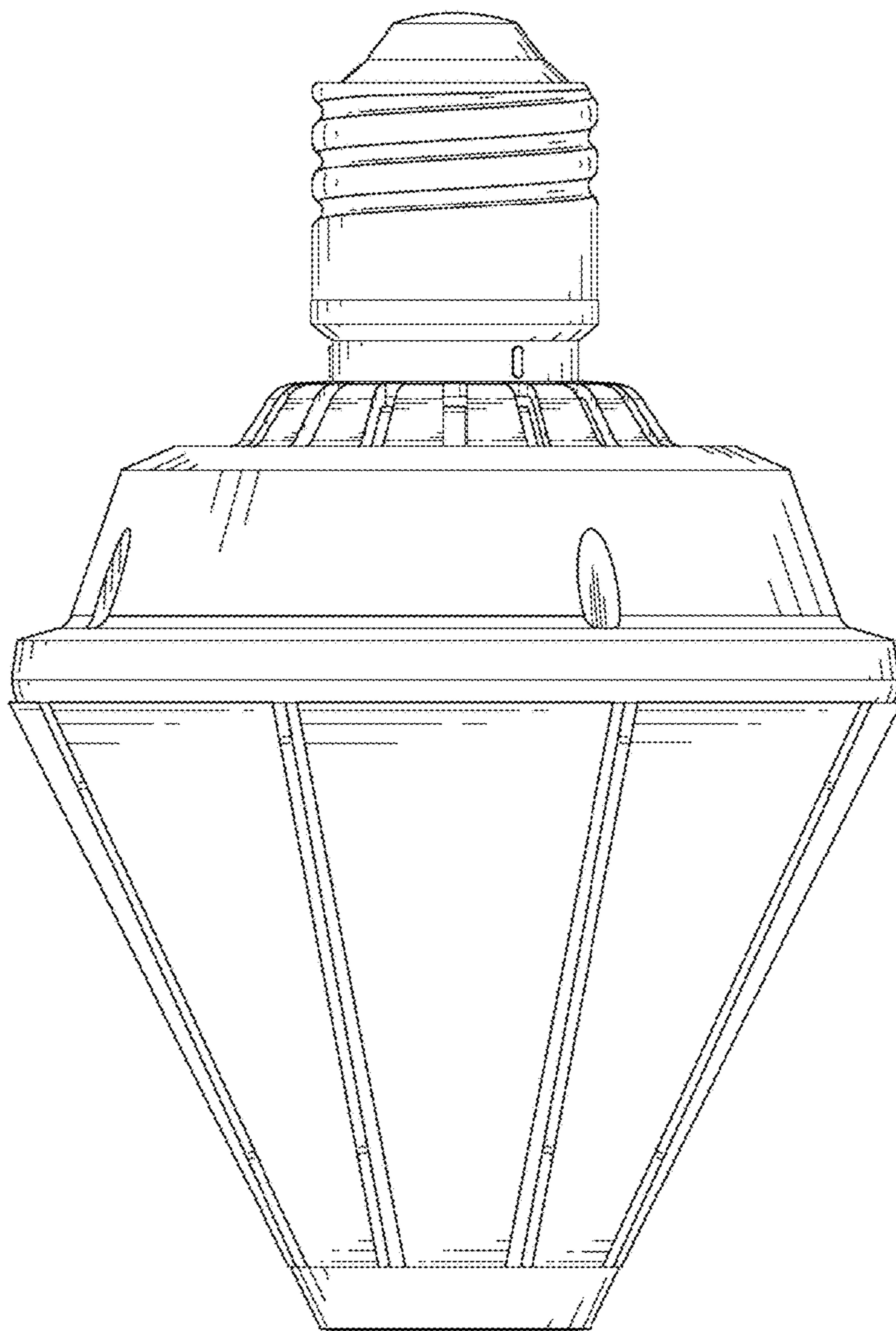


FIG. 20

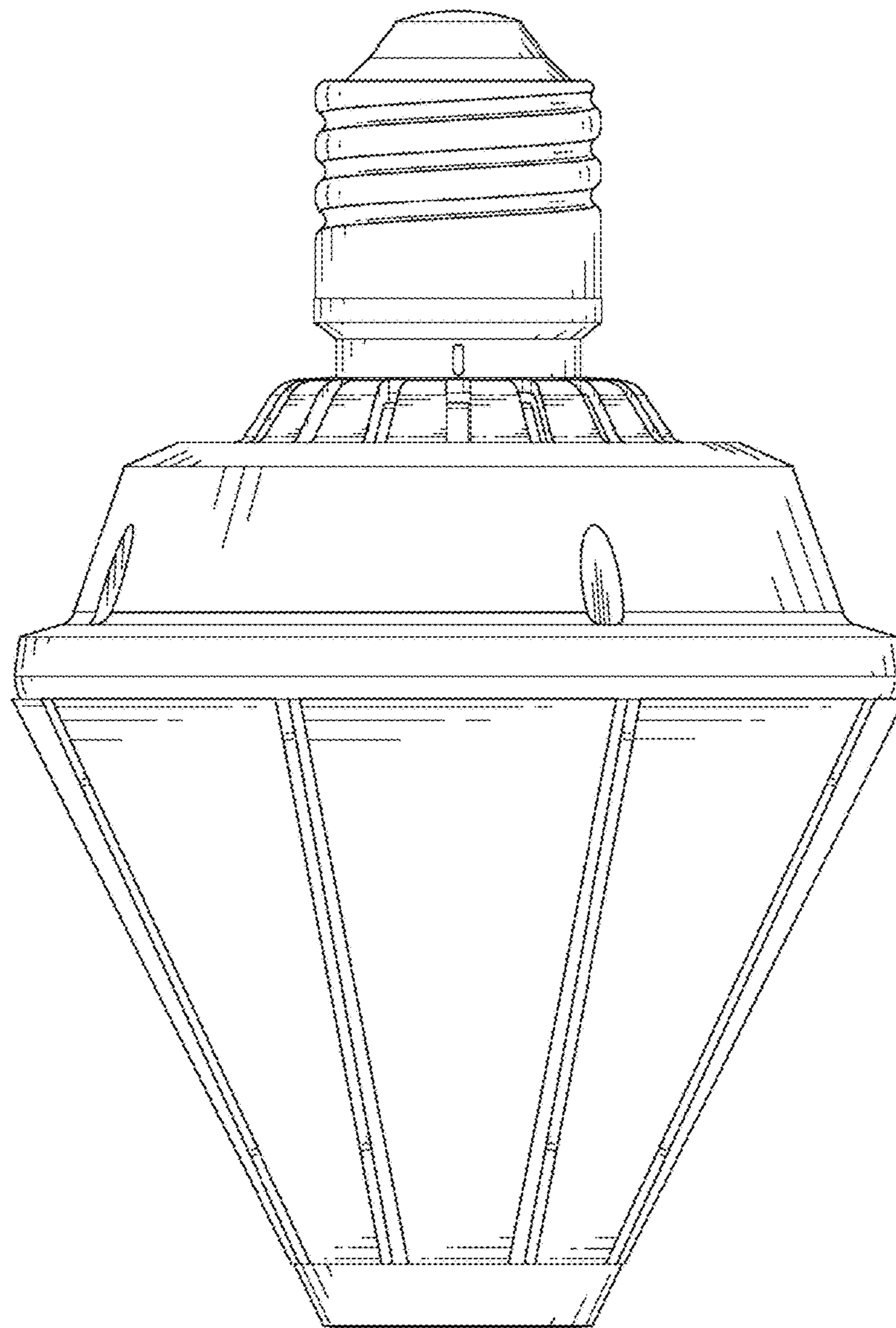


FIG. 21

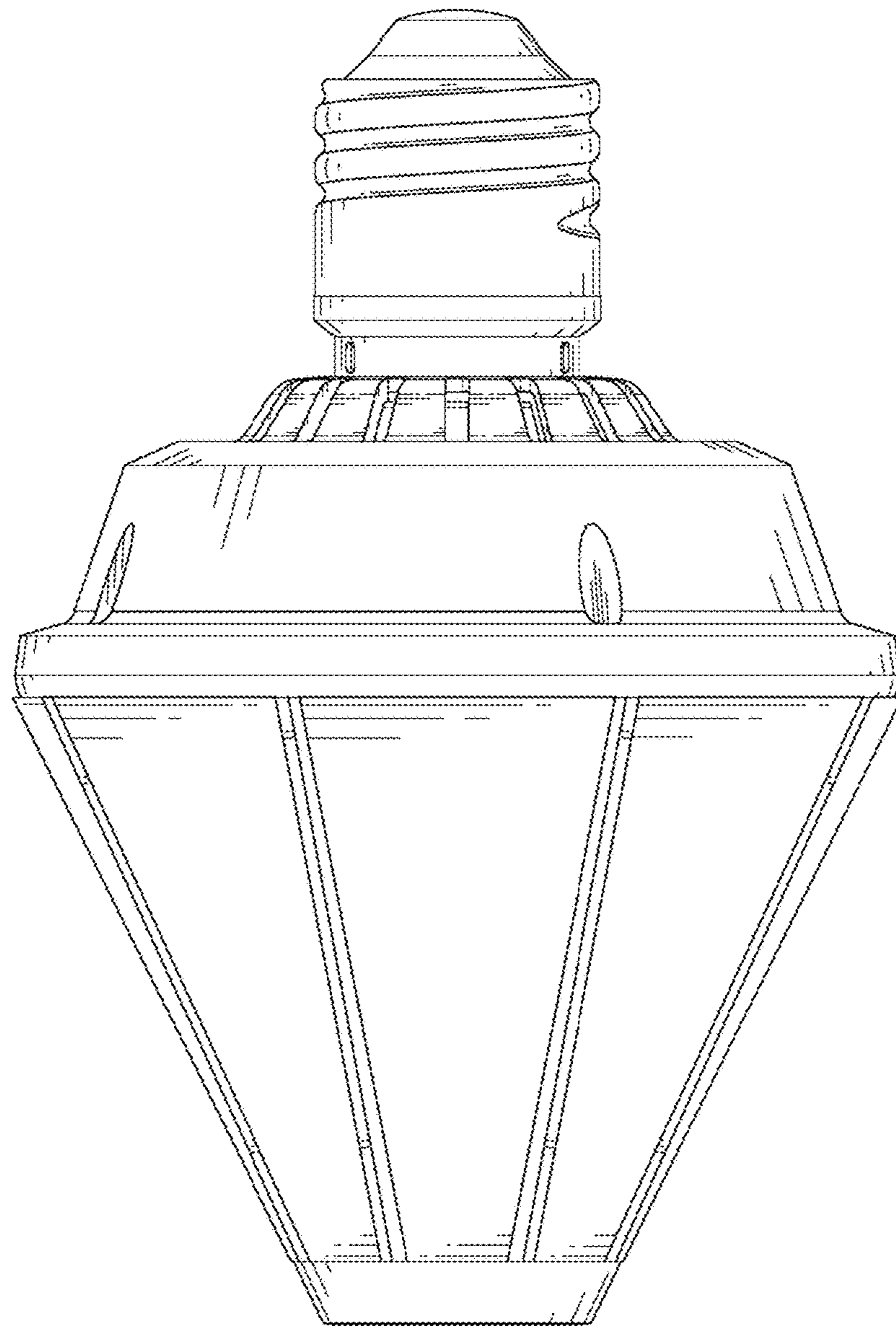


FIG. 22



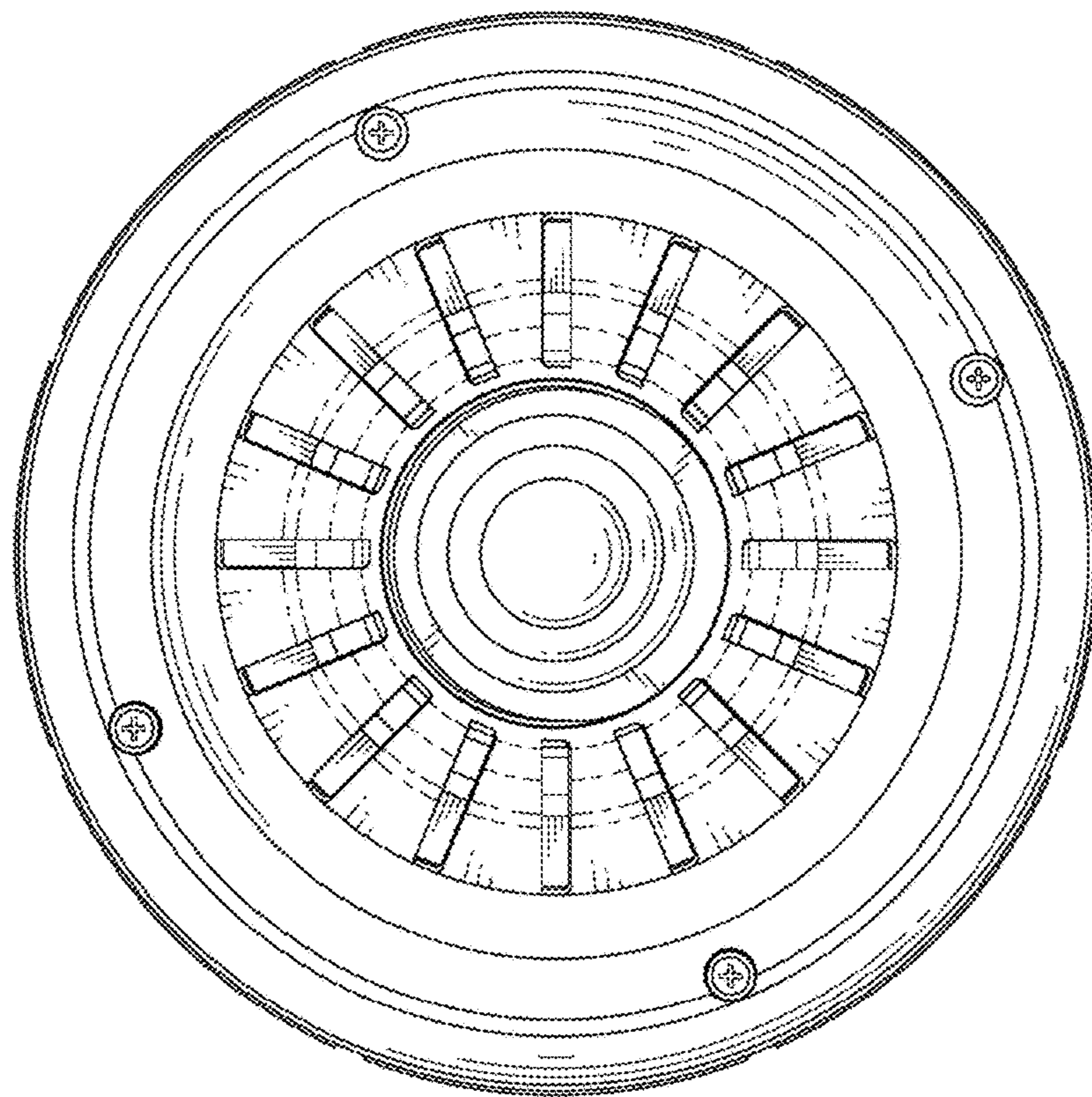


FIG. 23

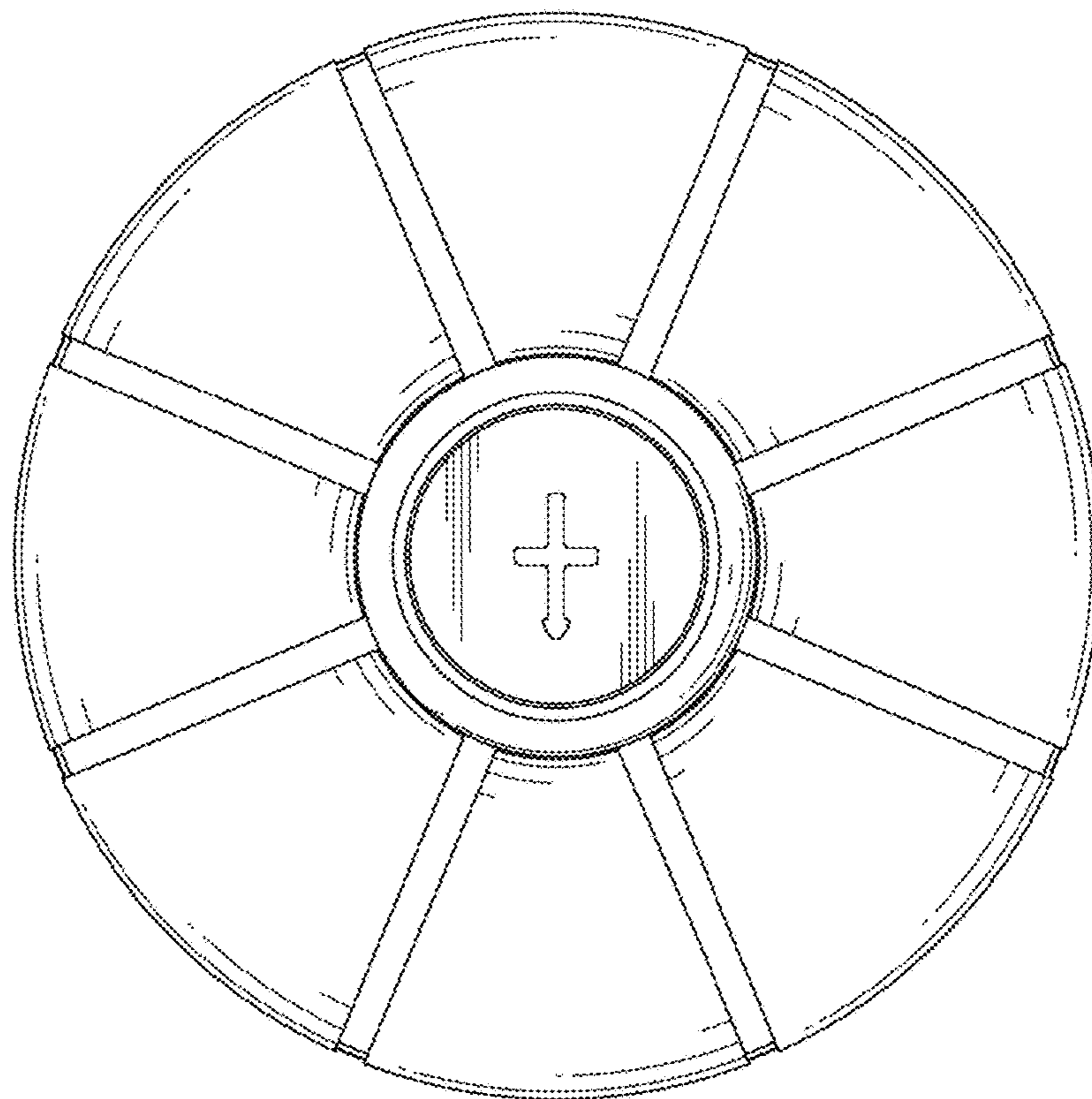


FIG. 24

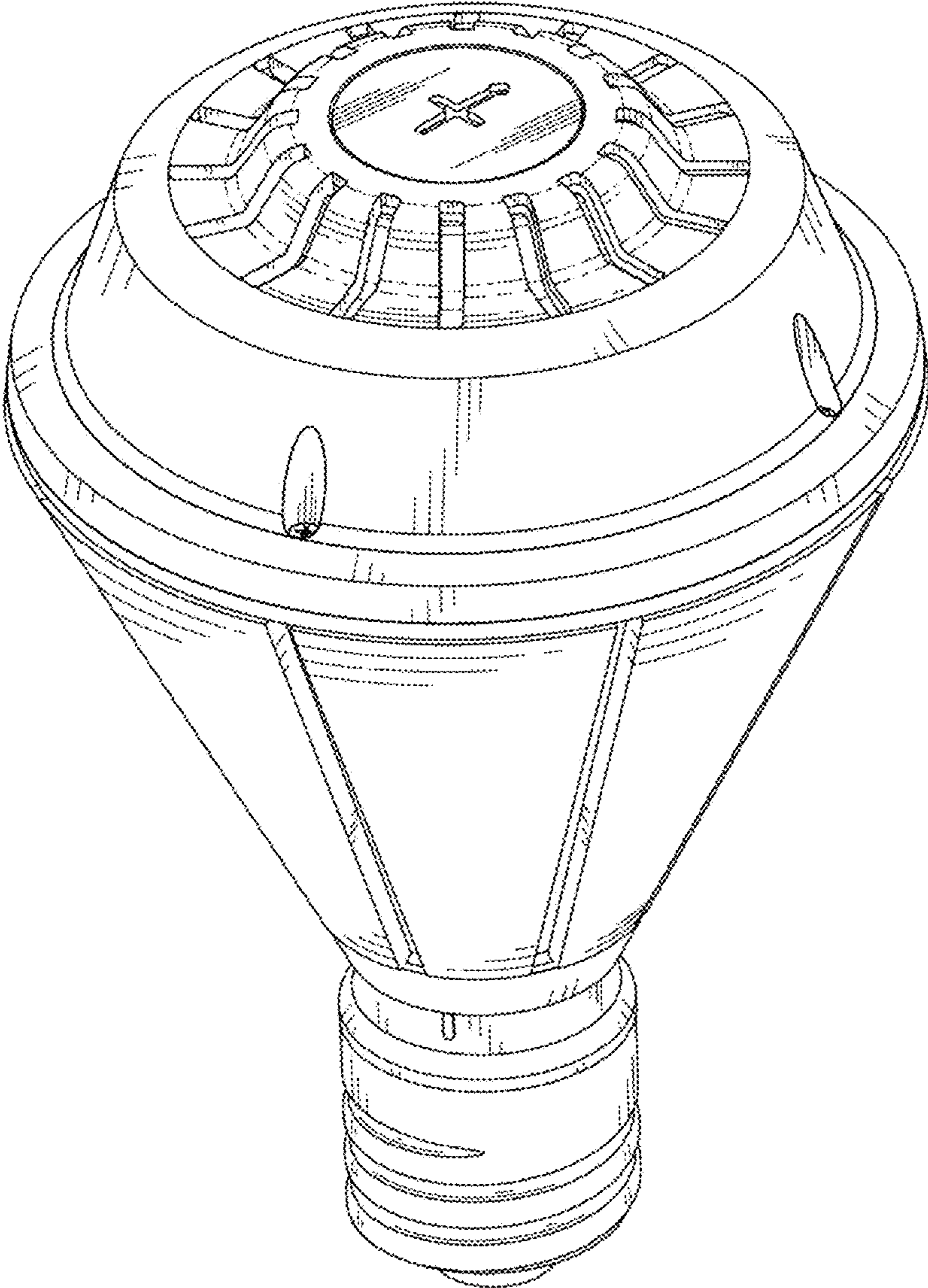


FIG. 25

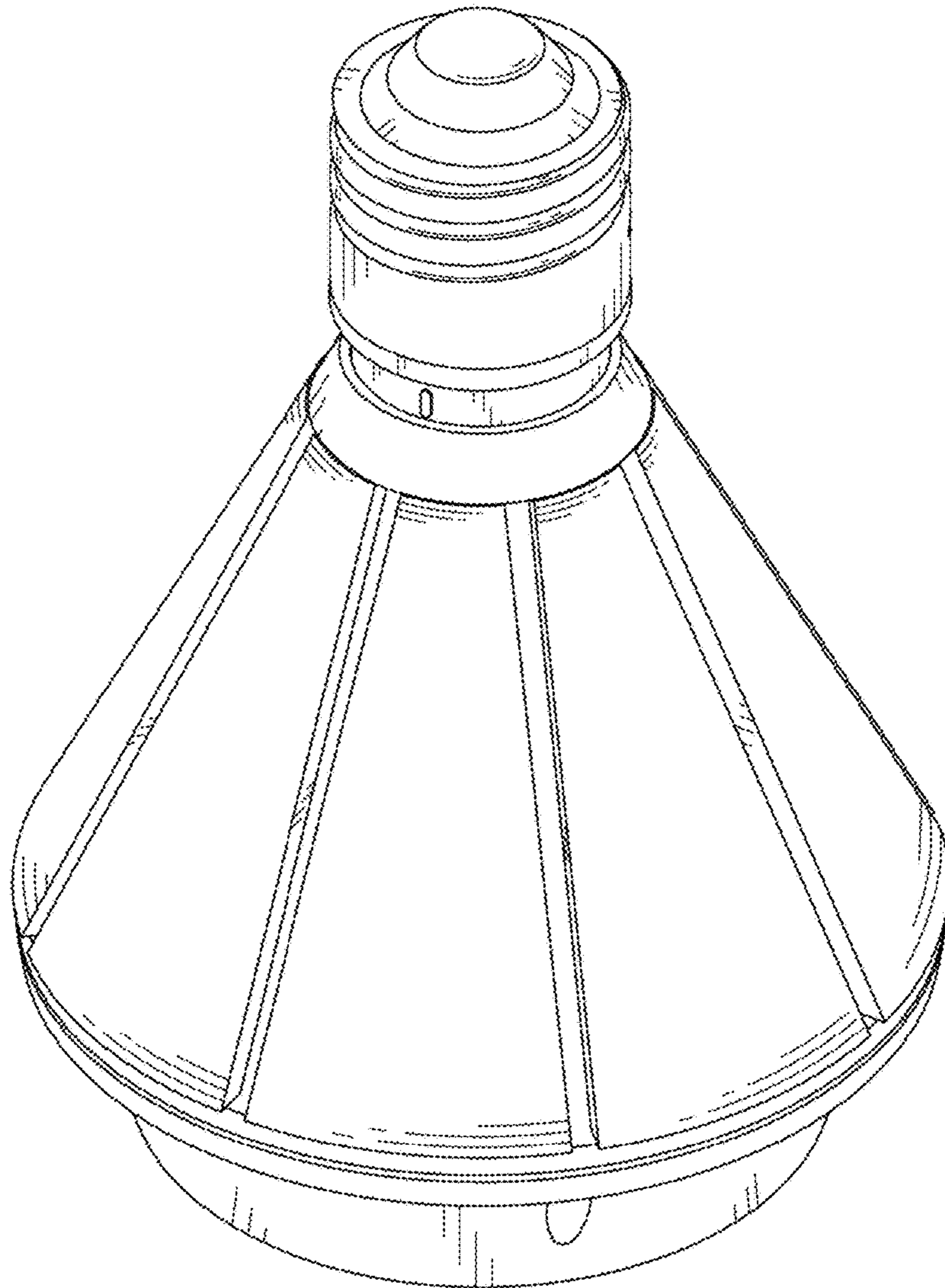


FIG. 26

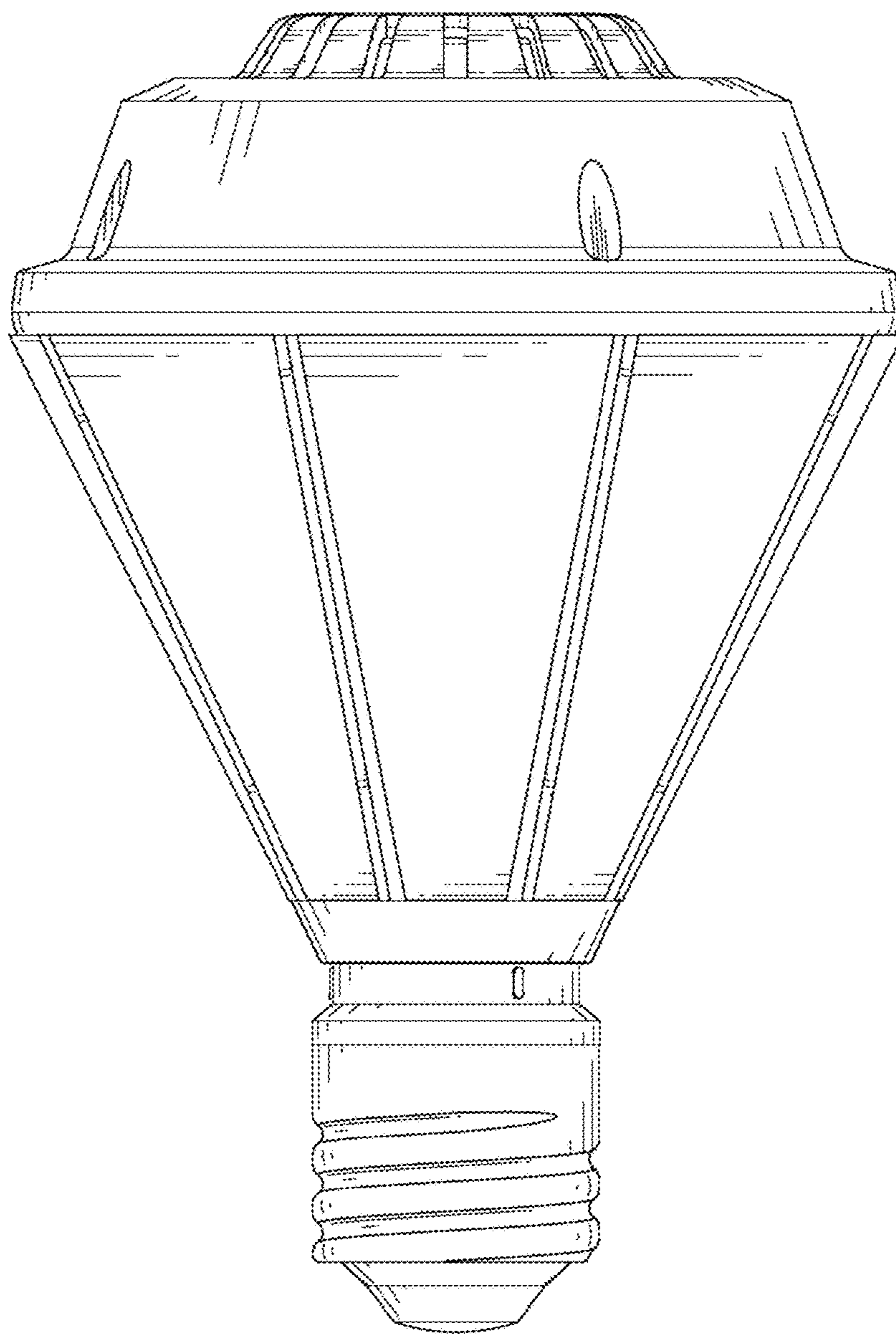


FIG. 27

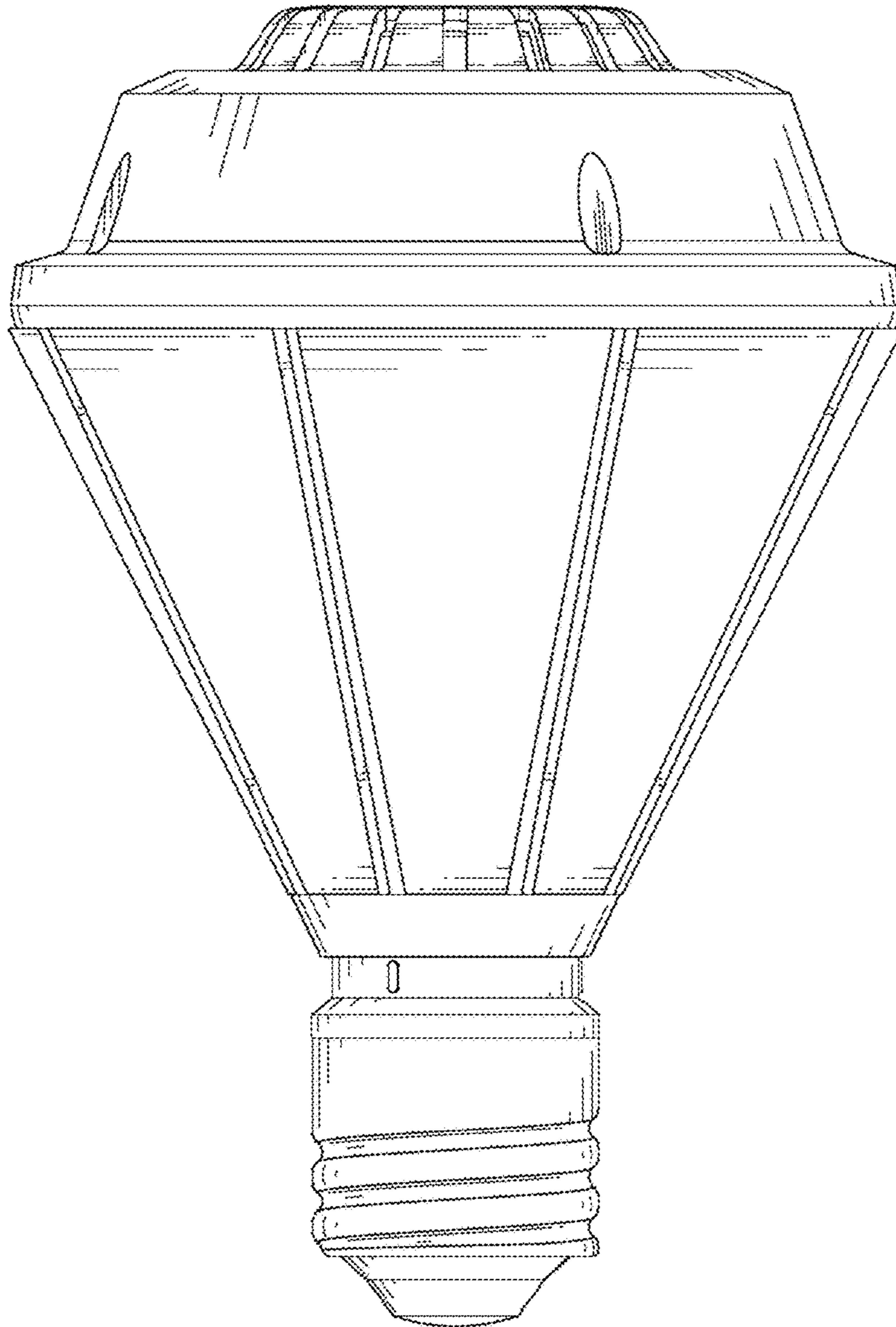


FIG. 28

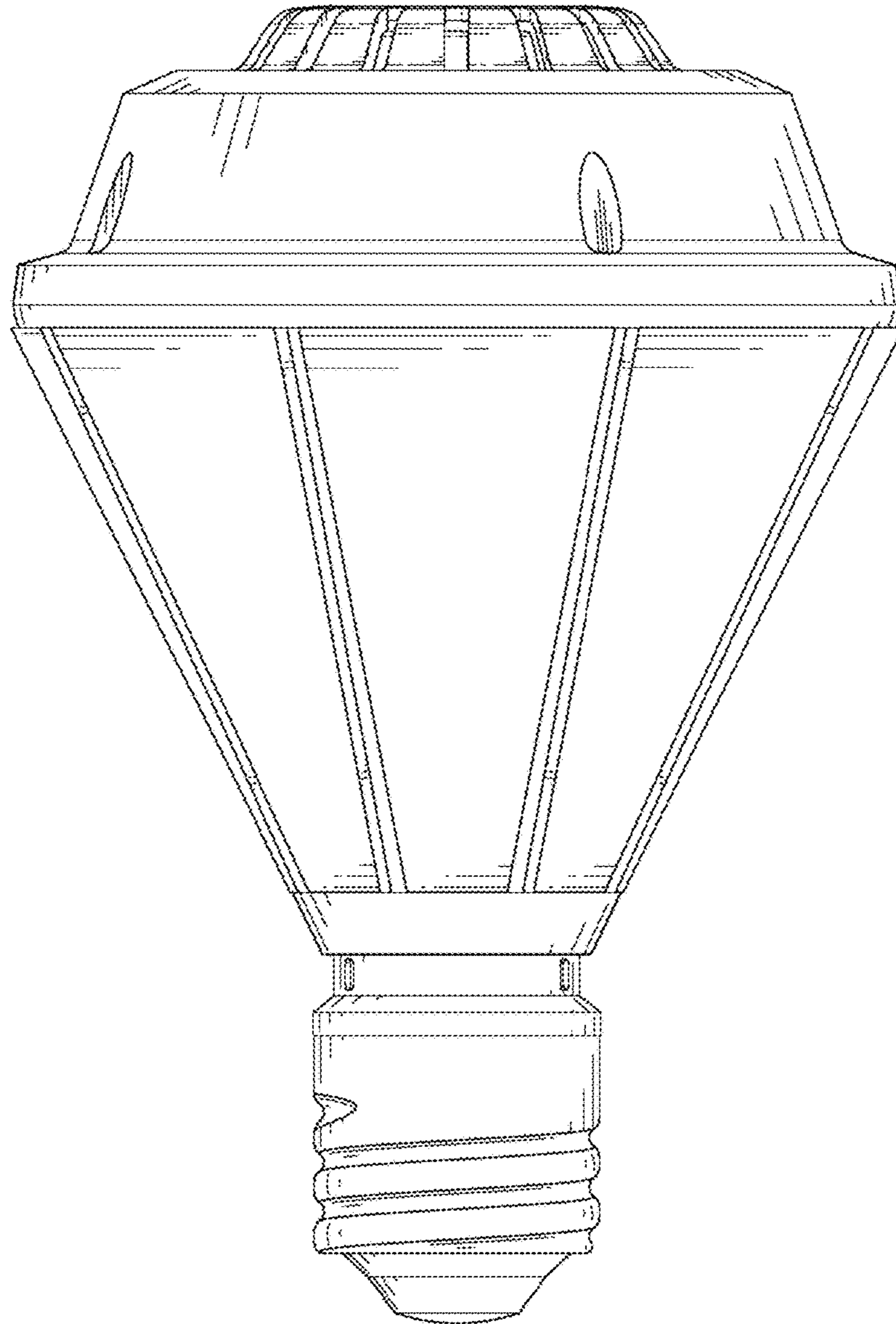


FIG. 29

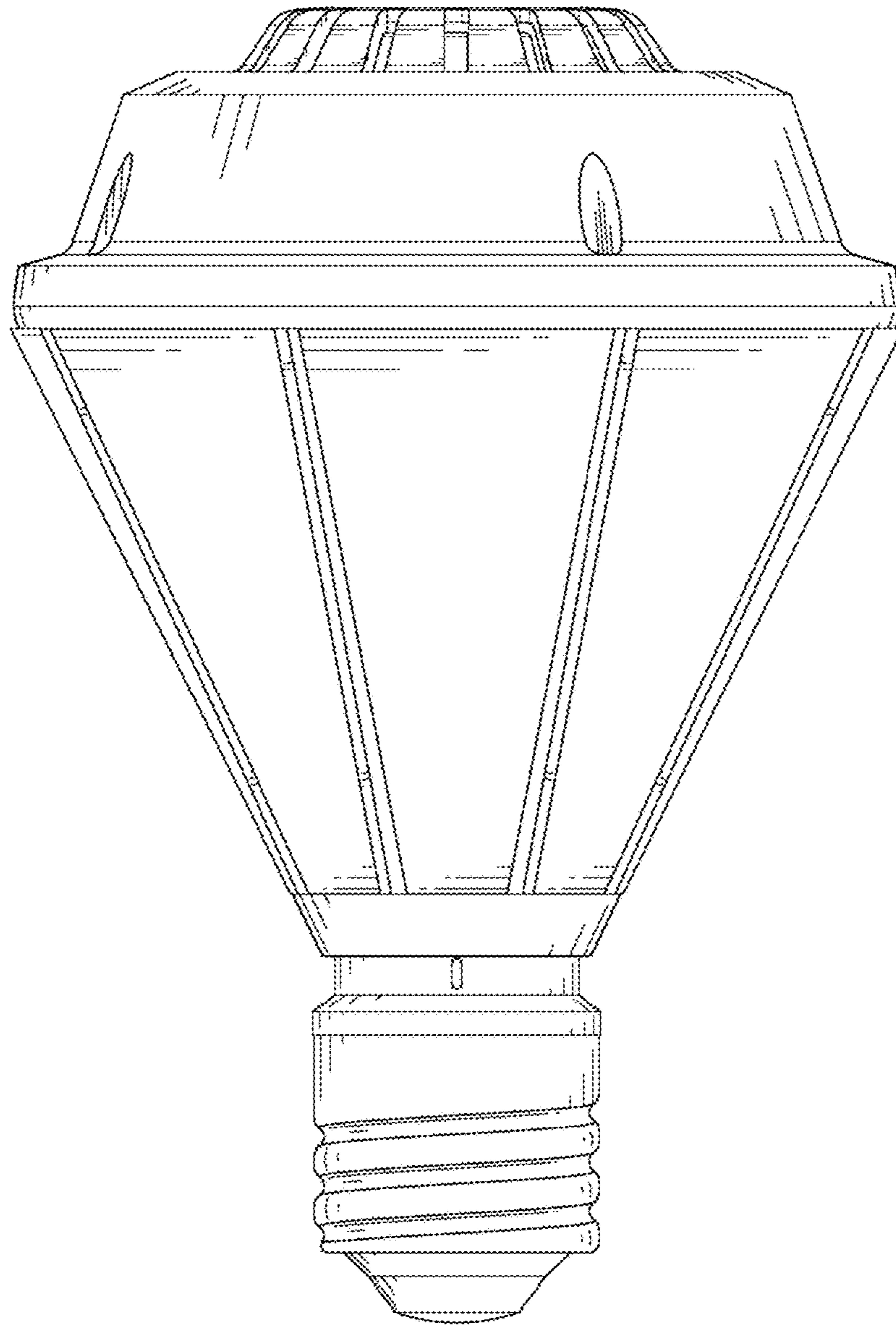


FIG. 30



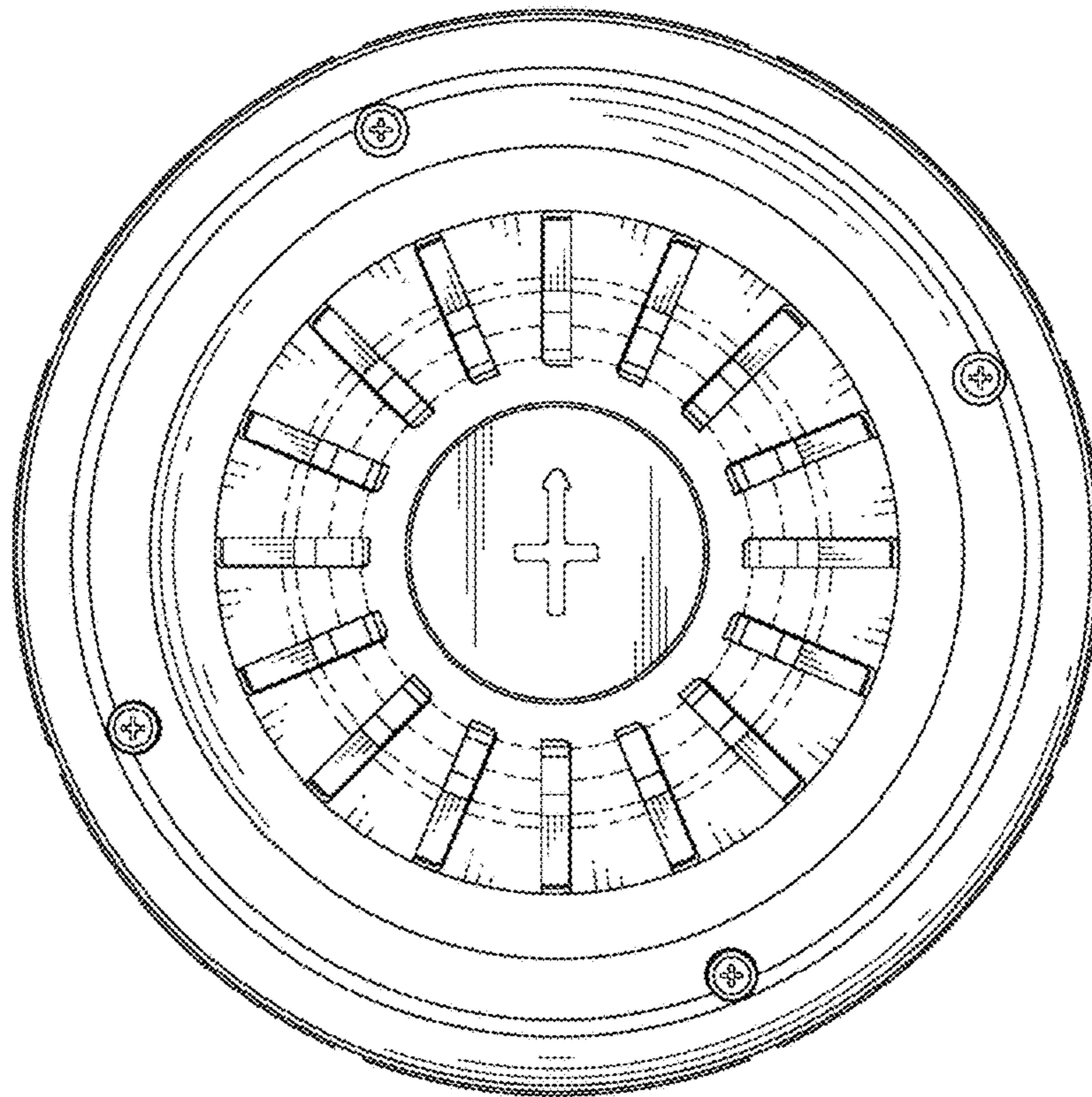


FIG. 31

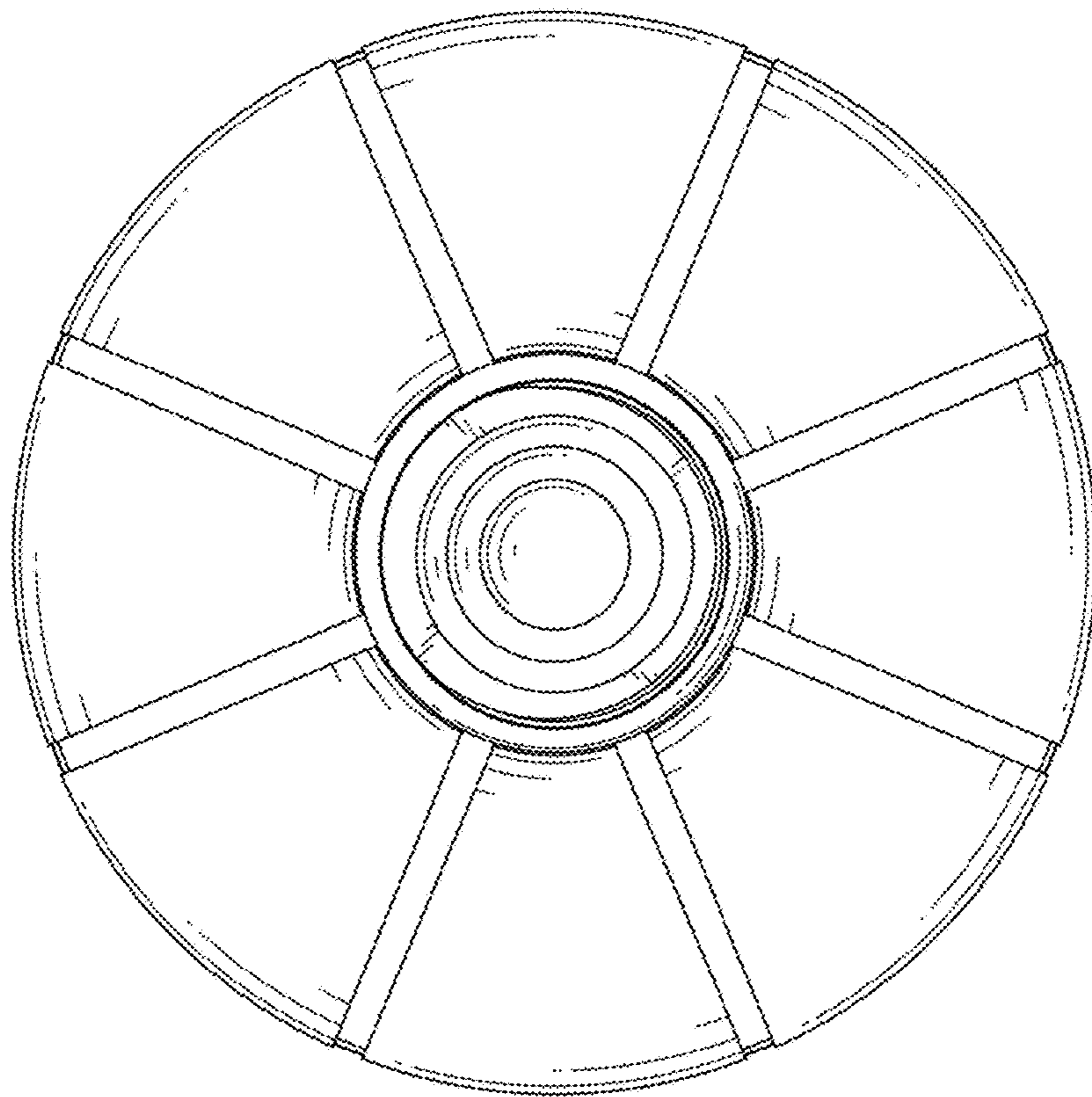


FIG. 32