



US00D857251S

(12) **United States Design Patent**
Mussini

(10) **Patent No.:** **US D857,251 S**

(45) **Date of Patent:** **** Aug. 20, 2019**

(54) **TILE**

(71) Applicant: **CERAMICHE ATLAS CONCORDE S.p.A.**, Fiorano Modenese (Modena) (IT)

(72) Inventor: **Luca Mussini**, Fiorano Modenese (IT)

(73) Assignee: **CERAMICHE ATLAS CONCORDE S.P.A.**, Fiorano Modenese (MODENA) (IT)

(**) Term: **15 Years**

(21) Appl. No.: **29/638,879**

(22) Filed: **Mar. 1, 2018**

(30) **Foreign Application Priority Data**

Sep. 4, 2017 (EP) 004239176-0001

(51) **LOC (12) Cl.** **25-01**

(52) **U.S. Cl.**
USPC **D25/160; D25/138**

(58) **Field of Classification Search**
USPC D25/138-144, 157-163; D5/53, 56
CPC .. E04B 1/84; E04B 1/8404; E04B 2001/8414;
E04B 1/86; E04B 9/00; E04B 2001/8457;
E04B 9/0464; E04B 9/225; E04B 9/24;
E04F 13/00; E04F 13/0871; E04F 13/142
See application file for complete search history.

(56) **References Cited**

U.S. PATENT DOCUMENTS

D16,635 S * 4/1886 Mankey D25/157
D86,689 S * 4/1932 Voelskow D25/103
D181,216 S * 10/1957 McCord D5/53
D181,341 S * 11/1957 Broderick D25/144
D185,016 S * 4/1959 McCord D5/53
D185,141 S * 5/1959 Ellefson D25/157

D201,994 S * 8/1965 Cann et al. D25/141
5,579,614 A * 12/1996 Dorn E04B 1/84
181/284
D488,305 S * 4/2004 Delaney D5/53
D612,074 S * 3/2010 Krantz-Lilienthal D25/140
D620,150 S * 7/2010 Orsi D25/140
D686,348 S * 7/2013 Martin D25/138
D704,861 S * 5/2014 Waters D25/138
D727,540 S * 4/2015 Martin D25/138
D739,964 S * 9/2015 Zuo D25/163
D767,173 S * 9/2016 Martin B44F 7/00
D25/144
D771,367 S * 11/2016 Taylor D2/972
D775,739 S * 1/2017 Roze D25/110
D793,070 S * 8/2017 O'Connor D2/731
D804,060 S * 11/2017 Korpihete D25/163
D806,905 S * 1/2018 Kitajima D25/138
D824,049 S * 7/2018 Mussini D25/138
D835,302 S * 12/2018 Mussini D25/138

(Continued)

OTHER PUBLICATIONS

Atlas Concorde Arkshade Stars Light Clay (on-line), no date available. Retrieved from Internet Dec. 6, 2018, URL: <https://www.atlasconcorde.com/en/collections/ac/arkshade/wall/stars-light-clay/matte/> (1 page).*

Primary Examiner — Kevin K Rudzinski
Assistant Examiner — Kimberly Barnes
(74) *Attorney, Agent, or Firm* — King & Schickli, PLLC

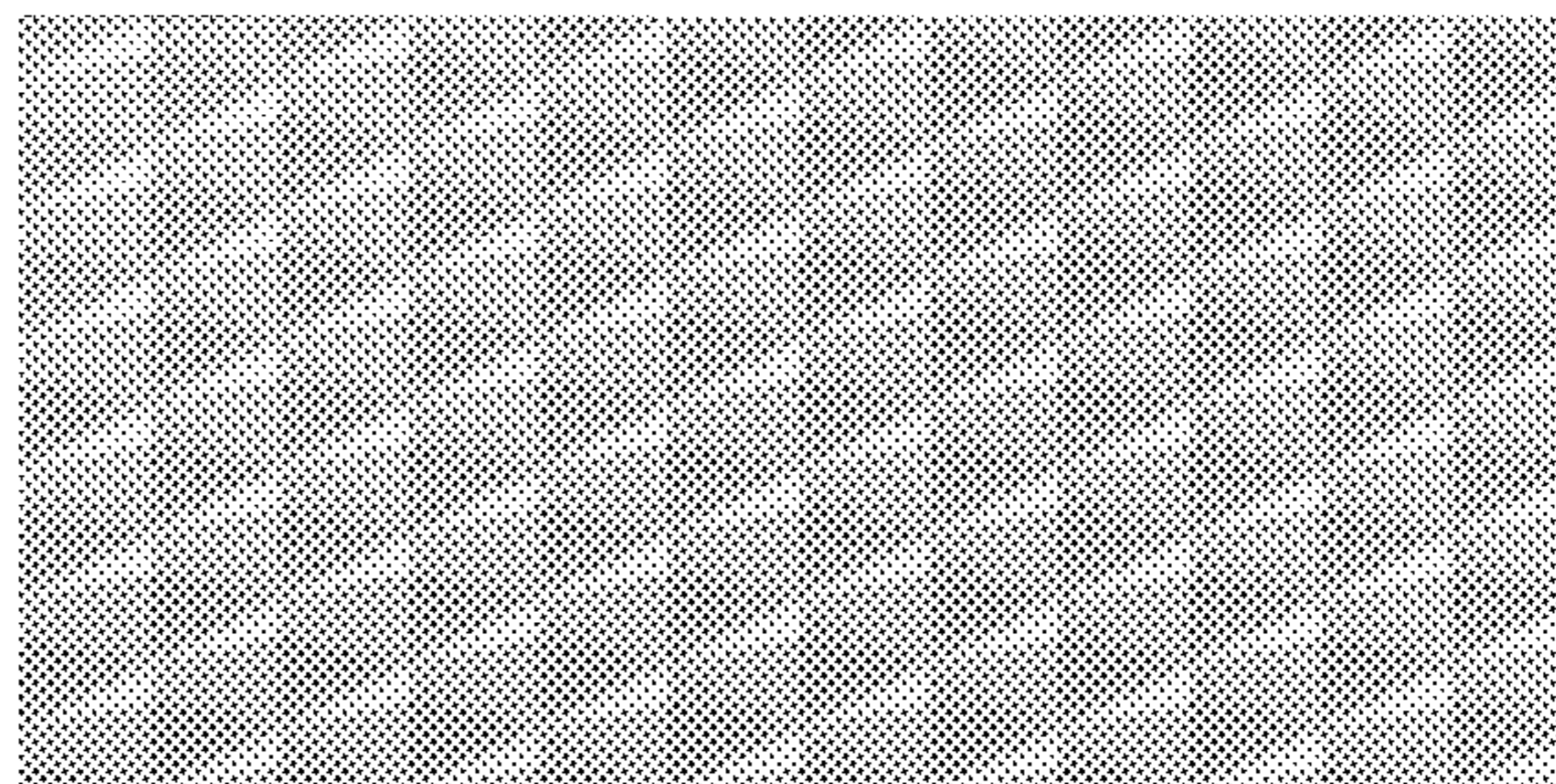
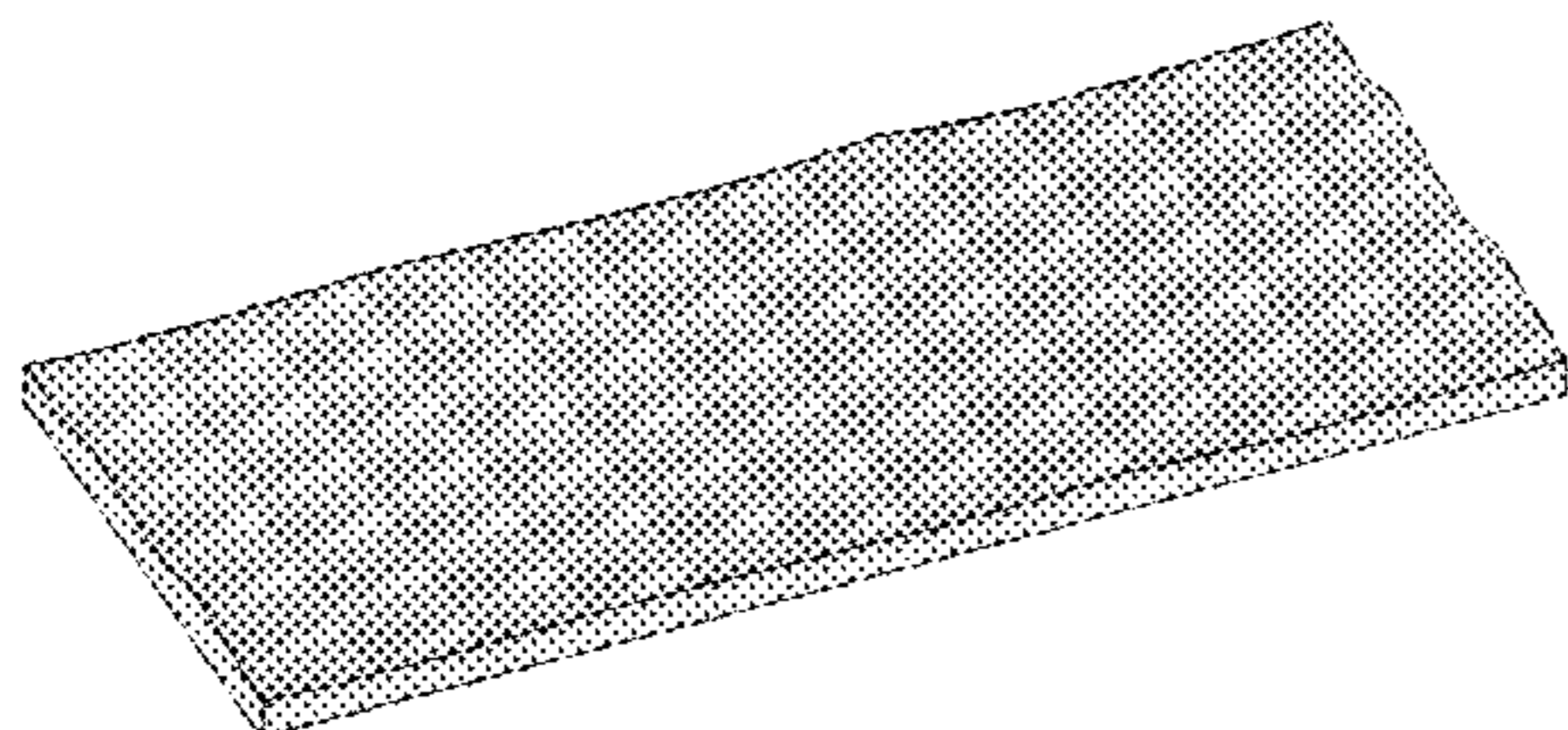
(57) **CLAIM**

The ornamental design for a tile, as shown and described.

DESCRIPTION

FIG. 1 is a perspective view of my new design;
FIG. 2 is a top view thereof;
FIG. 3 is an enlarged right side view thereof; and,
FIG. 4 is an enlarged front view thereof.

1 Claim, 2 Drawing Sheets



(56)

References Cited

U.S. PATENT DOCUMENTS

2015/0247327 A1* 9/2015 Martin B44F 7/00
428/156

* cited by examiner

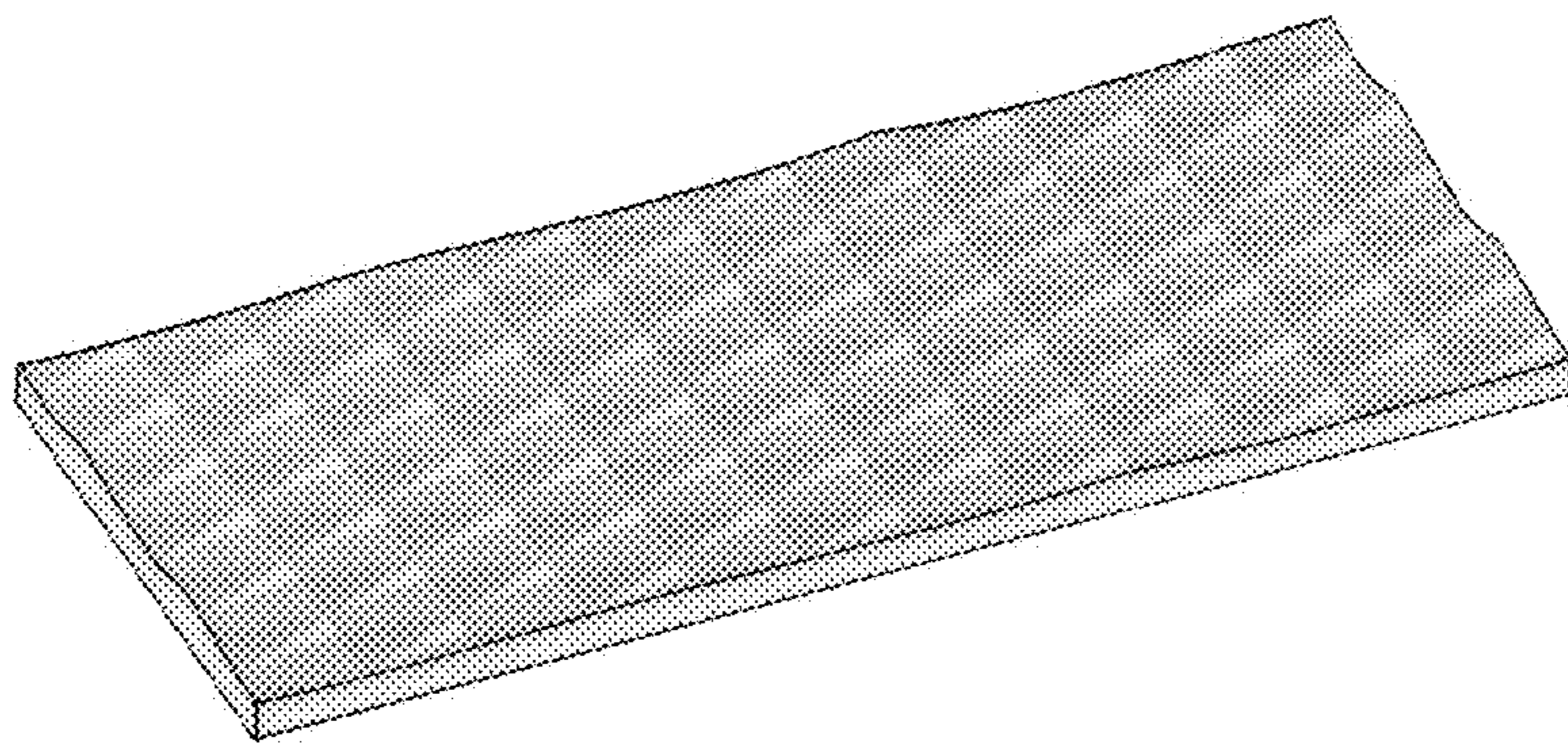


FIG. 1

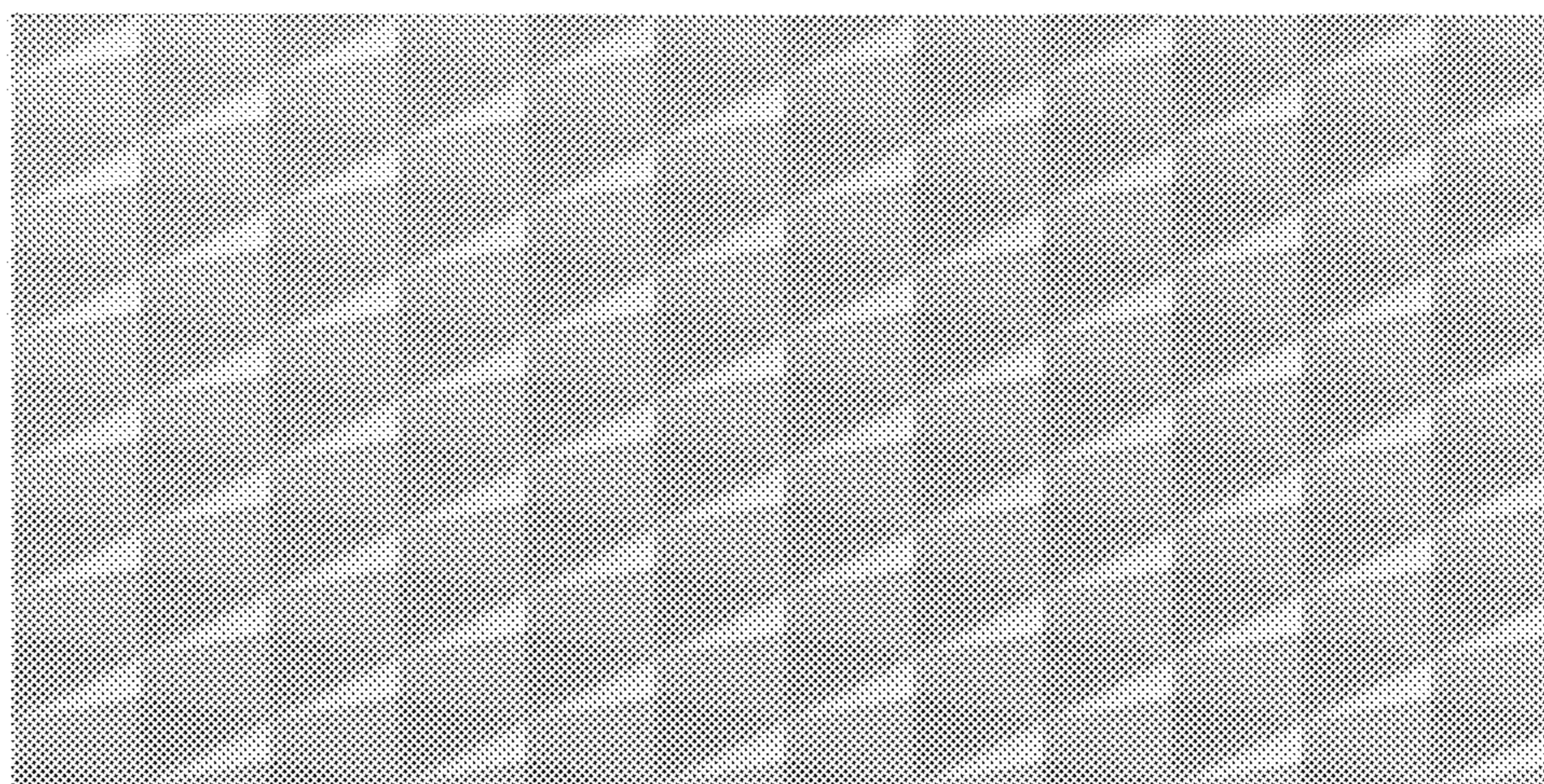


FIG. 2



FIG. 3



FIG. 4