

US00D857245S

(12) **United States Design Patent** (10) **Patent No.:** **US D857,245 S**  
**Smith et al.** (45) **Date of Patent:** **\*\* Aug. 20, 2019**

(54) **TILE**

(71) Applicant: **Ludowici Roof Tile, Inc.**, New Lexington, OH (US)  
 (72) Inventors: **Bradley J. Smith**, Glouster, OH (US); **Joseph B. Shultheis**, New Lexington, OH (US)  
 (73) Assignee: **Ludowici Roof Tile, Inc.**, New Lexington, OH (US)

(\*\*) Term: **15 Years**

(21) Appl. No.: **29/622,776**

(22) Filed: **Oct. 19, 2017**

(51) **LOC (12) Cl.** ..... **25-01**

(52) **U.S. Cl.**

USPC ..... **D25/140**

(58) **Field of Classification Search**

USPC ..... D25/138, 139, 140, 141, 144, 163, 119, D25/121, 122, 123, 124, 125; 52/78, 52/311.2, 314, 518-527, 536, 539, 546, 52/578, 588.1, 589.1, 782.1, 783.1, 482, 52/478, 510, 551, 715, 748.11  
 CPC ..... E04C 2002/004; E04C 2002/005; E04C 2/02; E04C 2/38; E04C 2/40; E04C 2/08; E04C 2/30; E04C 2/322; E04F 13/08; E04F 13/0862; E04F 13/0866; E04F 13/0871; E04F 13/0876; E04F 13/0878; E04F 13/0889; E04F 13/0894; E04F 13/09; E04F 13/0864; E04F 19/022; E04F 2201/0115; E04F 13/165; E04D 1/00; E04D 1/02; E04D 1/06; E04D 1/12; E04D 1/18; E04D 3/00; E04D 3/02; E04D 3/16; E04D 3/24; E04D 3/30; E04D 3/361; E04D 3/368; E04D 3/362; E04D 3/363; E04D 3/364; E04D 11/02; E04B 1/6141; E04B 2/96; E04B 5/40

See application file for complete search history.

(56) **References Cited**

U.S. PATENT DOCUMENTS

525,442 A 9/1894 Burrows  
 1,492,190 A 4/1924 Aycock  
 1,583,969 A \* 5/1926 Greenstreet ..... E04D 1/06  
 52/522  
 1,931,709 A 10/1933 Frederick  
 1,993,086 A \* 3/1935 Chaffee ..... E04D 1/02  
 52/535

(Continued)

FOREIGN PATENT DOCUMENTS

GB 462802 A 3/1937

*Primary Examiner* — Kevin K Rudzinski

*Assistant Examiner* — Kimberly Barnes

(74) *Attorney, Agent, or Firm* — Frost Brown Todd LLC

(57) **CLAIM**

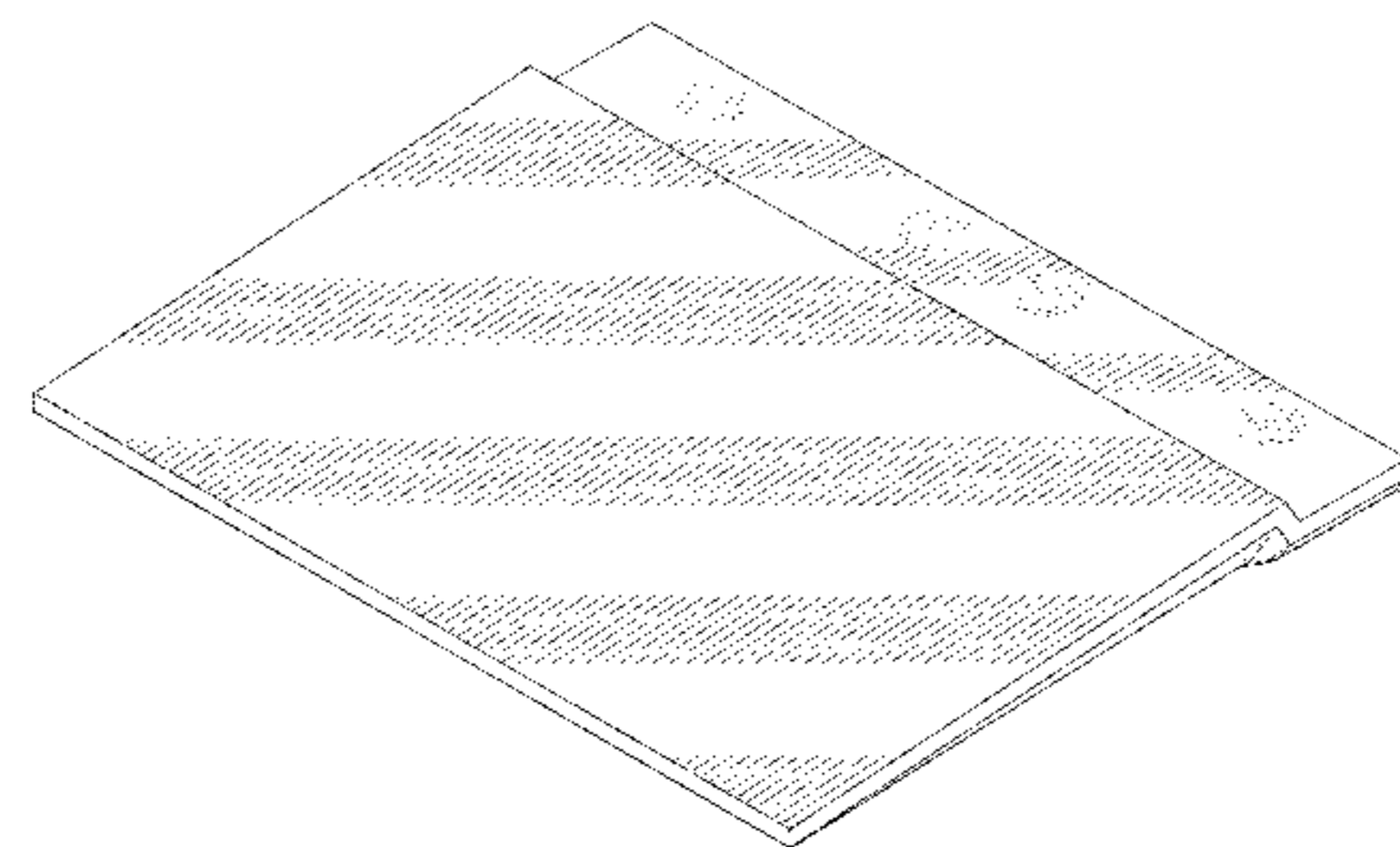
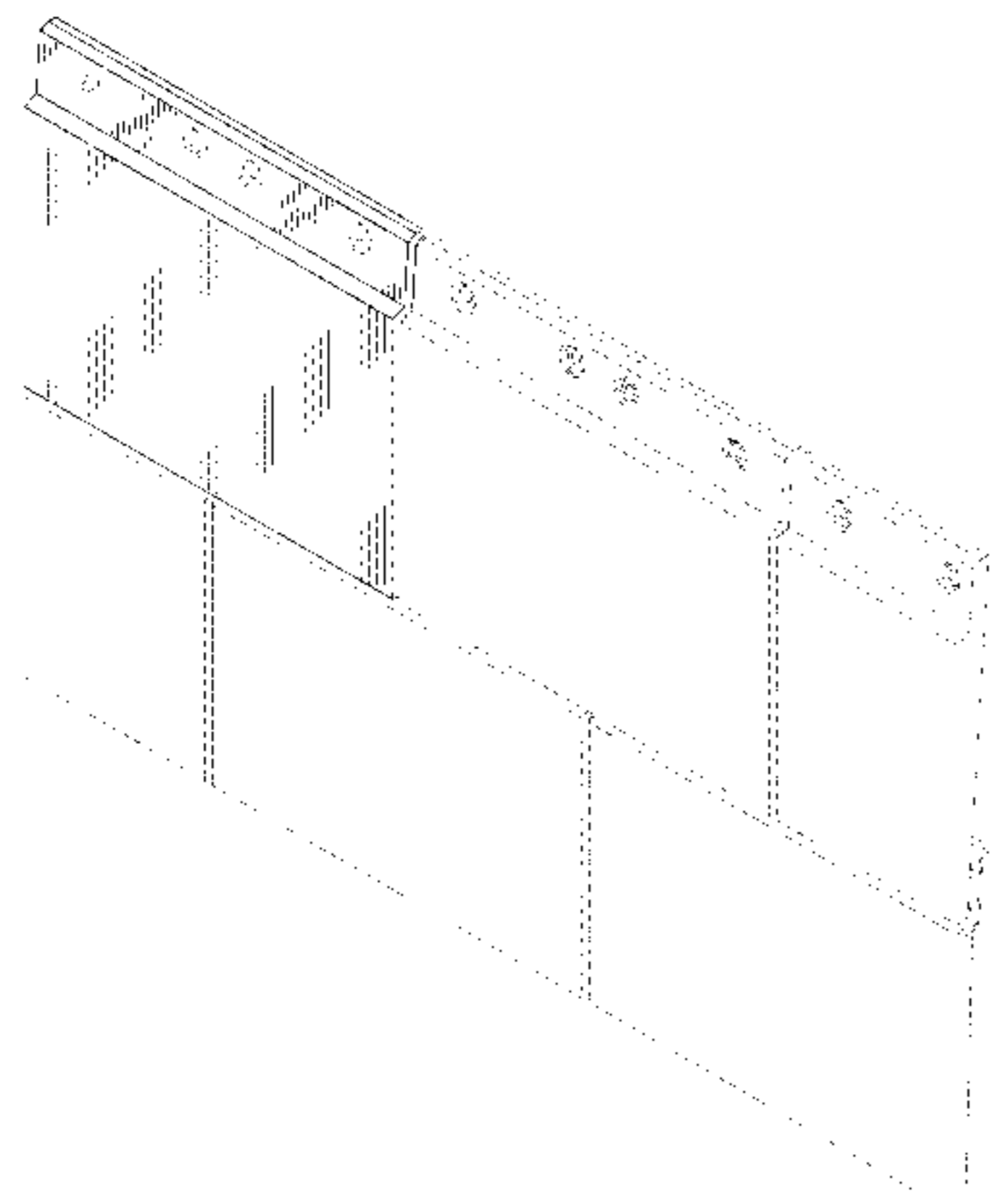
The ornamental design for a tile, as shown and described.

**DESCRIPTION**

FIG. 1 is a front perspective view of a tile of our new design, showing the tile assembled with a plurality of tiles;  
 FIG. 2 is a front perspective view of the tile shown by itself;  
 FIG. 3 is a rear perspective view of the tile;  
 FIG. 4 is a bottom plan view of the tile;  
 FIG. 5 is a top plan view of the tile;  
 FIG. 6 is a left elevation view of the tile;  
 FIG. 7 is a right elevation view of the tile;  
 FIG. 8 is a front view of the tile; and,  
 FIG. 9 is a rear view of the tile.

The broken lines on the tile itself depict portions of the tile that form no part of the claimed design. The broken lines in FIG. 1 depicting additional tiles illustrate environmental subject matter that form no part of the claimed design.

**1 Claim, 7 Drawing Sheets**



(56)

**References Cited**

U.S. PATENT DOCUMENTS

2,188,454	A *	1/1940	Braddock .....	E04D 3/362 52/531
2,371,180	A *	3/1945	Moeller .....	E04D 1/12 52/542
2,835,932	A	5/1958	Walton	
3,222,977	A	12/1965	Vaughn	
4,506,486	A	3/1985	Culpepper, Jr. et al.	
4,580,383	A *	4/1986	Pittman .....	E04D 1/08 52/520
5,501,050	A	3/1996	Ruel	
6,178,703	B1 *	1/2001	Noone .....	E04D 1/16 52/100
7,331,150	B2 *	2/2008	Martinique .....	E04D 1/20 52/520
8,122,649	B2 *	2/2012	Thomas .....	E04D 1/16 52/100
D711,558	S *	8/2014	Bobolts .....	D25/140
9,605,432	B1 *	3/2017	Robbins .....	E04D 1/12
10,167,639	B2 *	1/2019	Smith .....	E04F 13/21
2003/0136067	A1 *	7/2003	Talbacka .....	E04B 2/7457 52/281
2004/0180195	A1	9/2004	Macuga	
2009/0308001	A1	12/2009	Wu et al.	
2010/0064611	A1	3/2010	Holt et al.	
2011/0214372	A1	9/2011	Mullet et al.	
2014/0020319	A1 *	1/2014	Marchese .....	E04F 13/0837 52/302.3
2016/0273218	A1	9/2016	Gaydos et al.	
2017/0234019	A1	8/2017	Culpepper et al.	
2017/0362830	A1	12/2017	Buckingham et al.	

\* cited by examiner

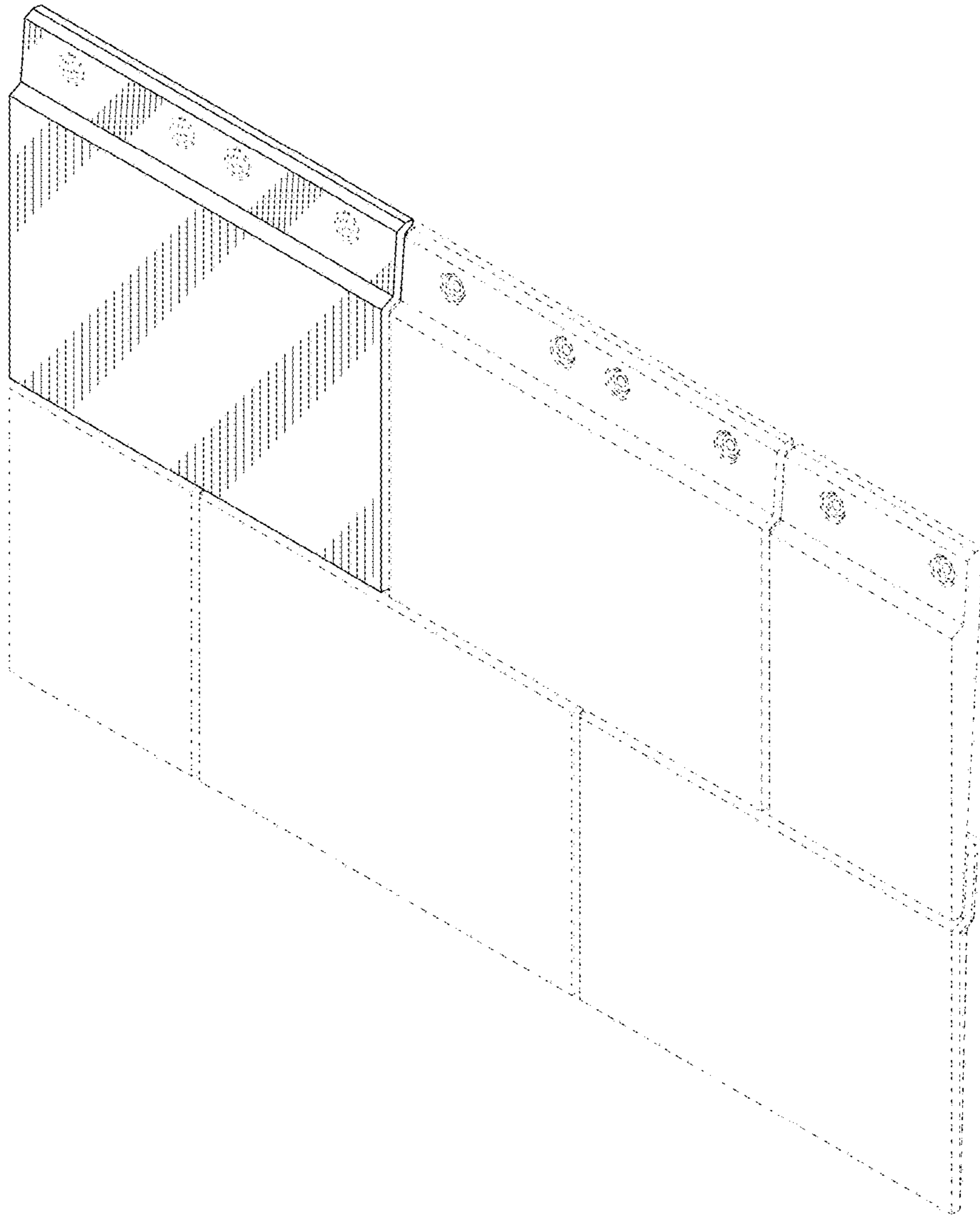


FIG. 1

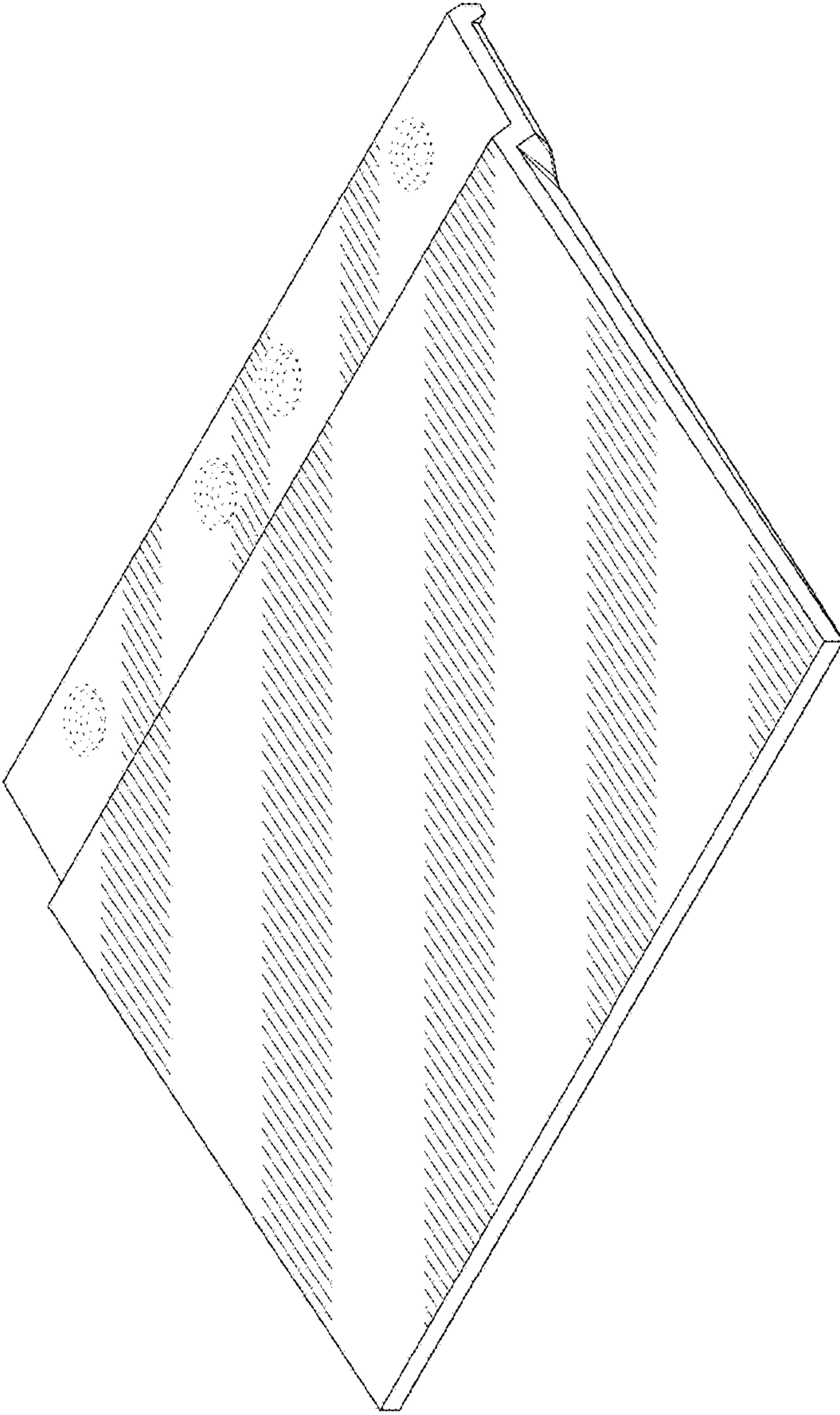


FIG. 2

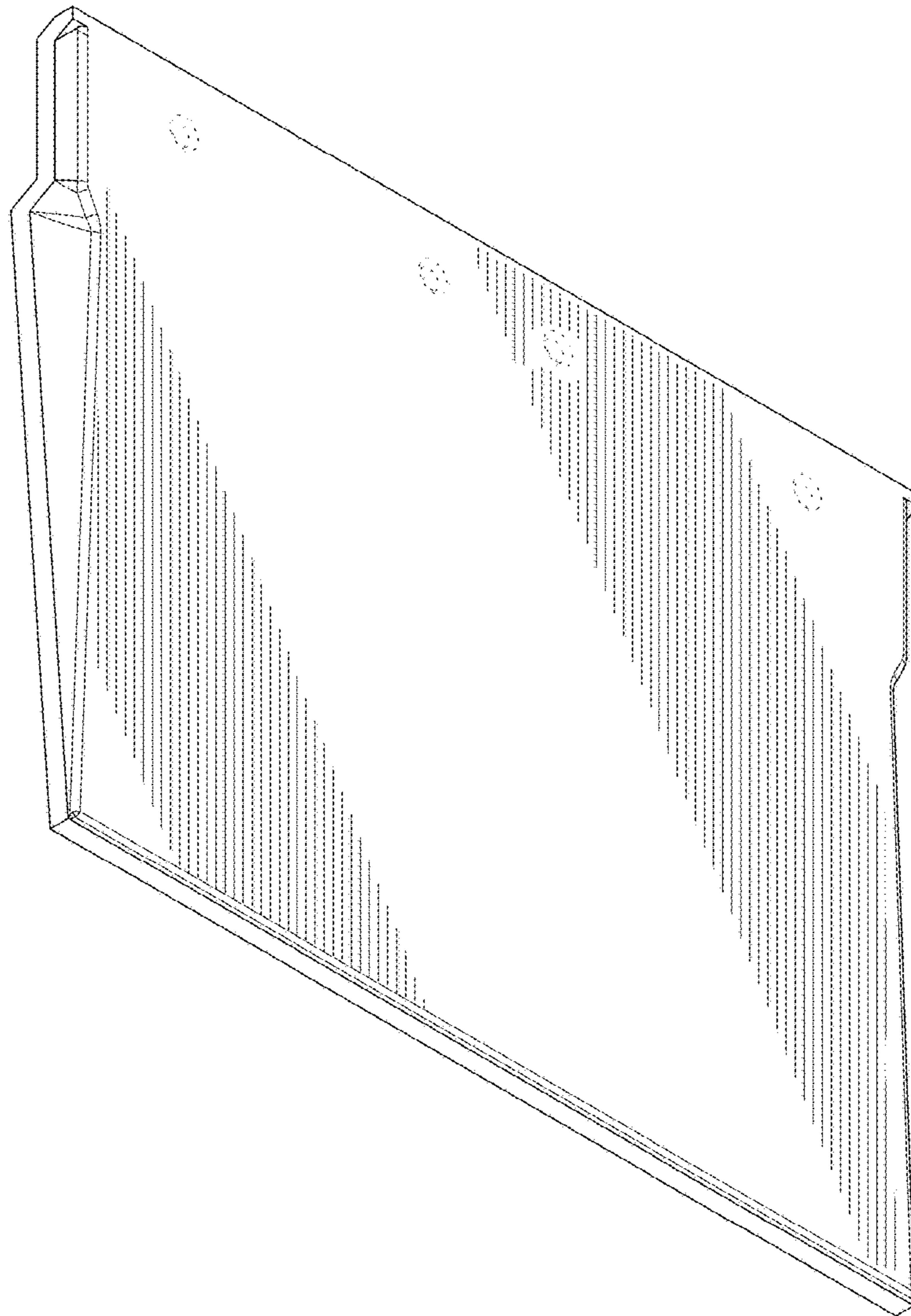


FIG. 3

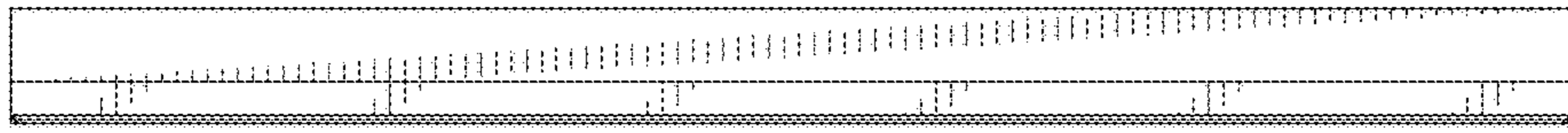


FIG. 4

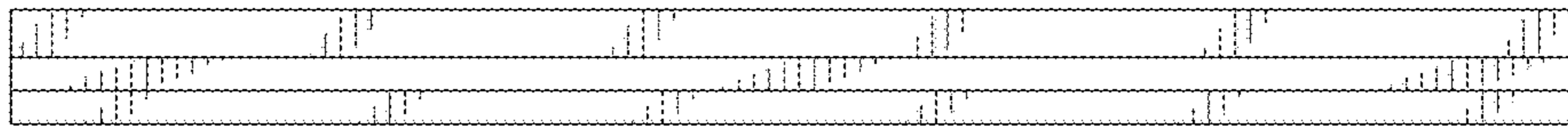


FIG. 5

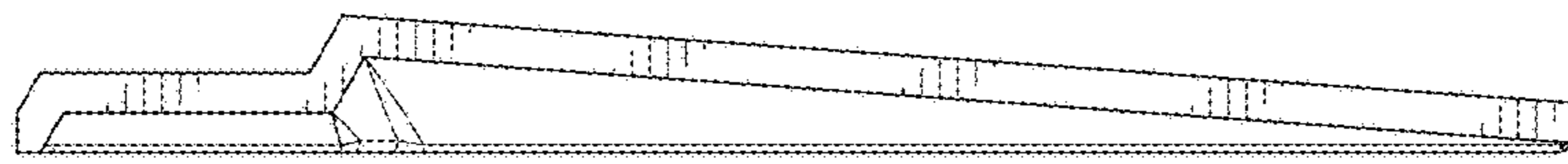


FIG. 6

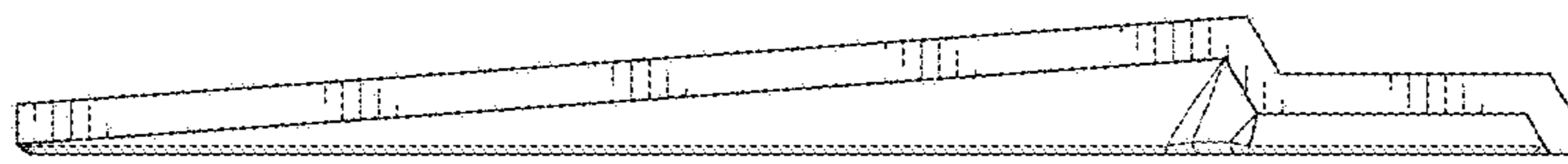


FIG. 7

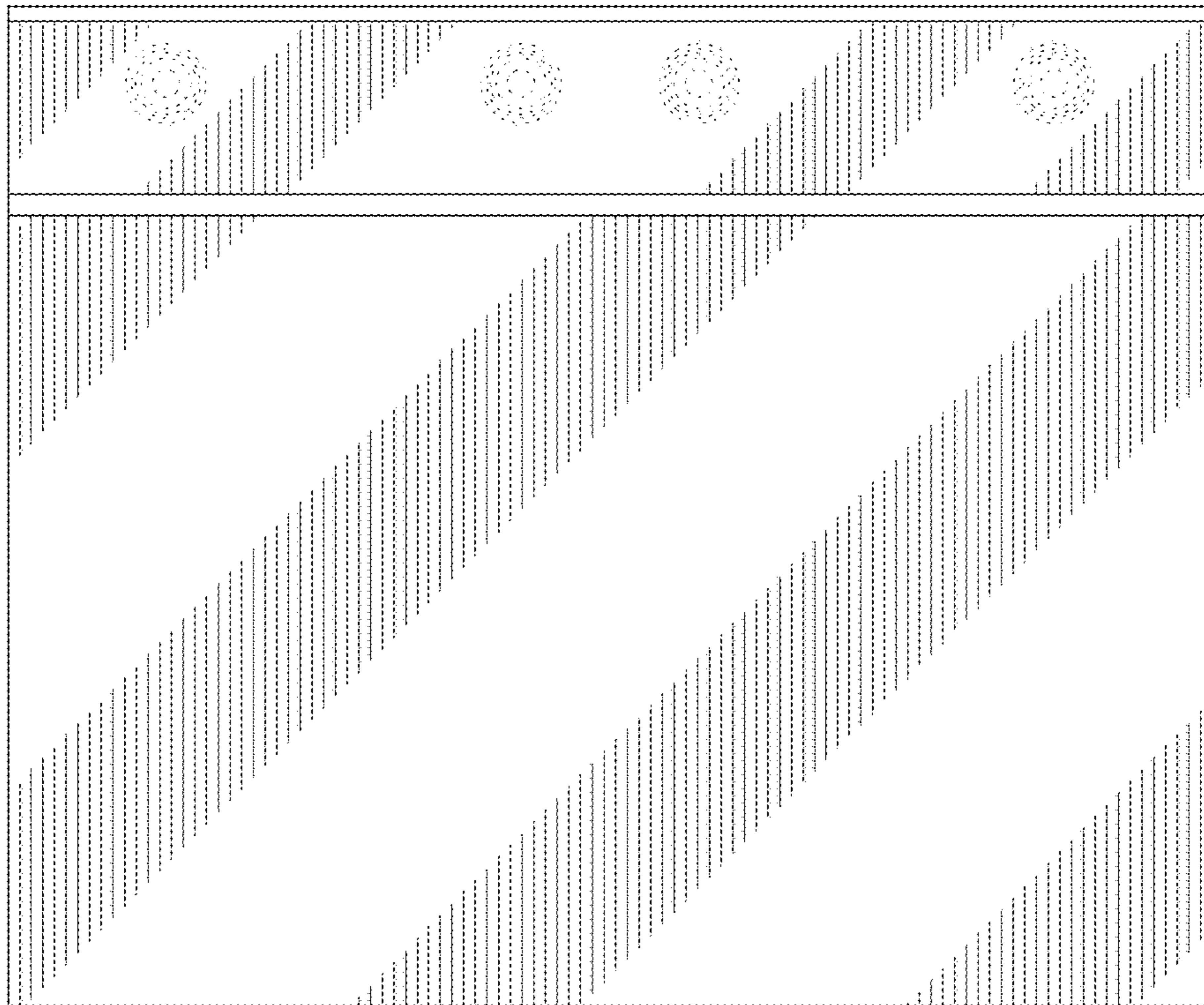


FIG. 8



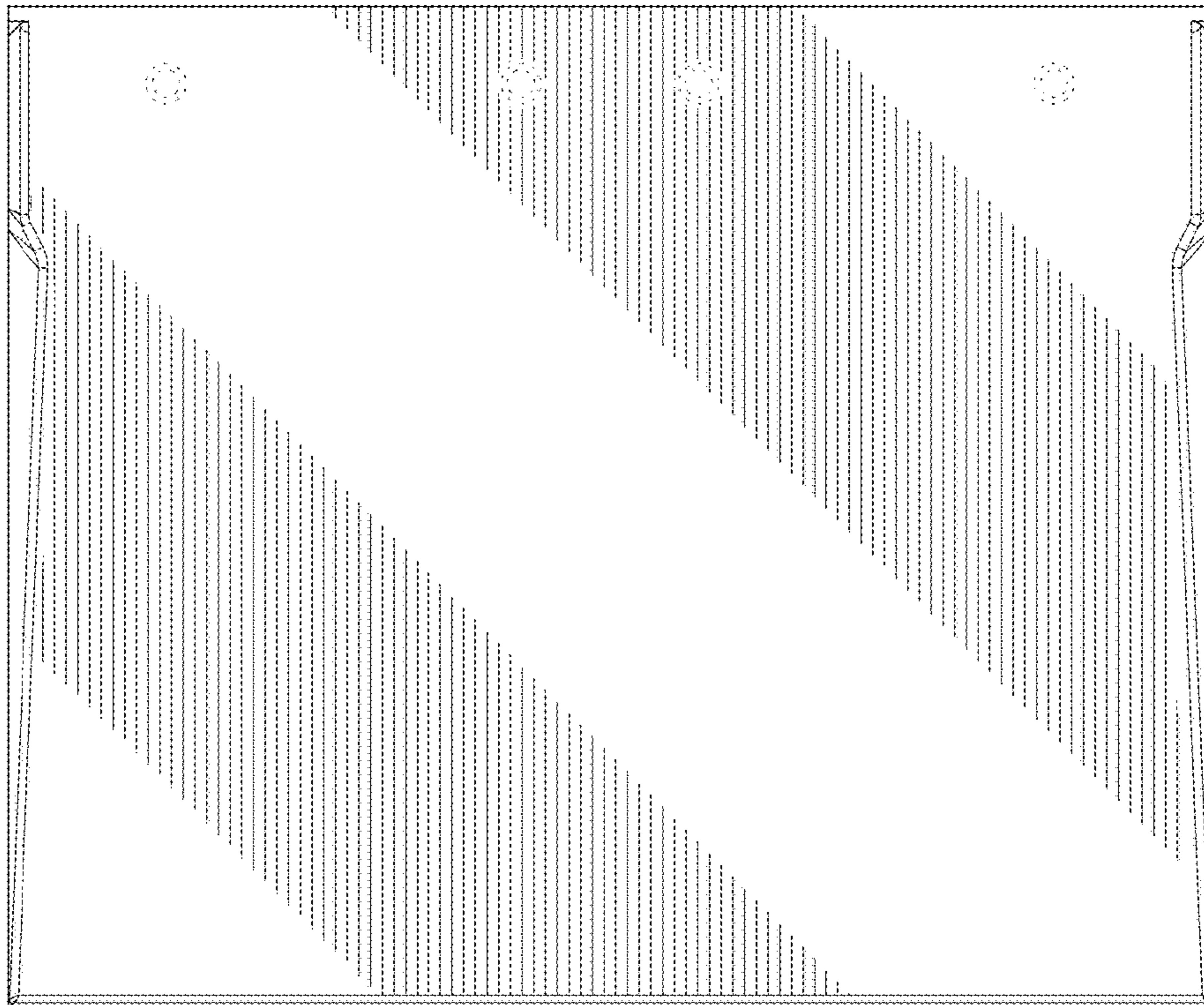


FIG. 9