



US00D857244S

(12) **United States Design Patent** (10) **Patent No.:** **US D857,244 S**  
**Faotto et al.** (45) **Date of Patent:** **\*\* Aug. 20, 2019**

(54) **SUBFLOOR** D797,957 S \* 9/2017 Larson ..... F24D 13/024  
D25/160  
(71) Applicant: **ELEMENTS S.R.L.**, San Biagio di D806,276 S \* 12/2017 Bordin ..... D25/158  
Callalta (IT) D806,277 S \* 12/2017 Bordin ..... D25/158  
D806,278 S \* 12/2017 Bordin ..... D25/158  
(72) Inventors: **Ugo Faotto**, San Biagio di Callalta D806,279 S \* 12/2017 Bordin ..... D25/158  
(IT); **Giovanni Faotto**, San Biagio di D806,280 S \* 12/2017 Bordin ..... D25/158  
Callalta (IT) D806,911 S \* 1/2018 Faotto ..... E04F 15/185  
D25/158  
D806,912 S \* 1/2018 Bordin ..... D25/158  
(73) Assignee: **ELEMENTS S.R.L.**, San Biagio di D818,615 S \* 5/2018 Bordin ..... D25/158  
Callalta (IT) D818,616 S \* 5/2018 Bordin ..... D25/158  
D818,617 S \* 5/2018 Bordin ..... D25/158  
D832,467 S \* 10/2018 Bordin ..... D25/158  
D841,837 S \* 2/2019 Bordin ..... F24D 3/142  
D25/158  
(\*\*) Term: **15 Years**  
(21) Appl. No.: **35/505,172** 2014/0069039 A1\* 3/2014 Schluter ..... E04F 15/182  
52/390  
(22) Filed: **May 15, 2018** 2017/0362841 A1\* 12/2017 Comitale ..... E04F 15/225

\* cited by examiner

(80) **Hague Agreement Data**  
Int. Filing Date: **May 15, 2018**  
Int. Reg. No.: **DM/101610**  
Int. Reg. Date: **May 15, 2018**  
Int. Reg. Pub. Date: **Jun. 29, 2018**

*Primary Examiner* — George D. Kirschbaum  
*Assistant Examiner* — Samantha Q Lawrence  
(74) *Attorney, Agent, or Firm* — Thomas|Horstemeyer, LLP

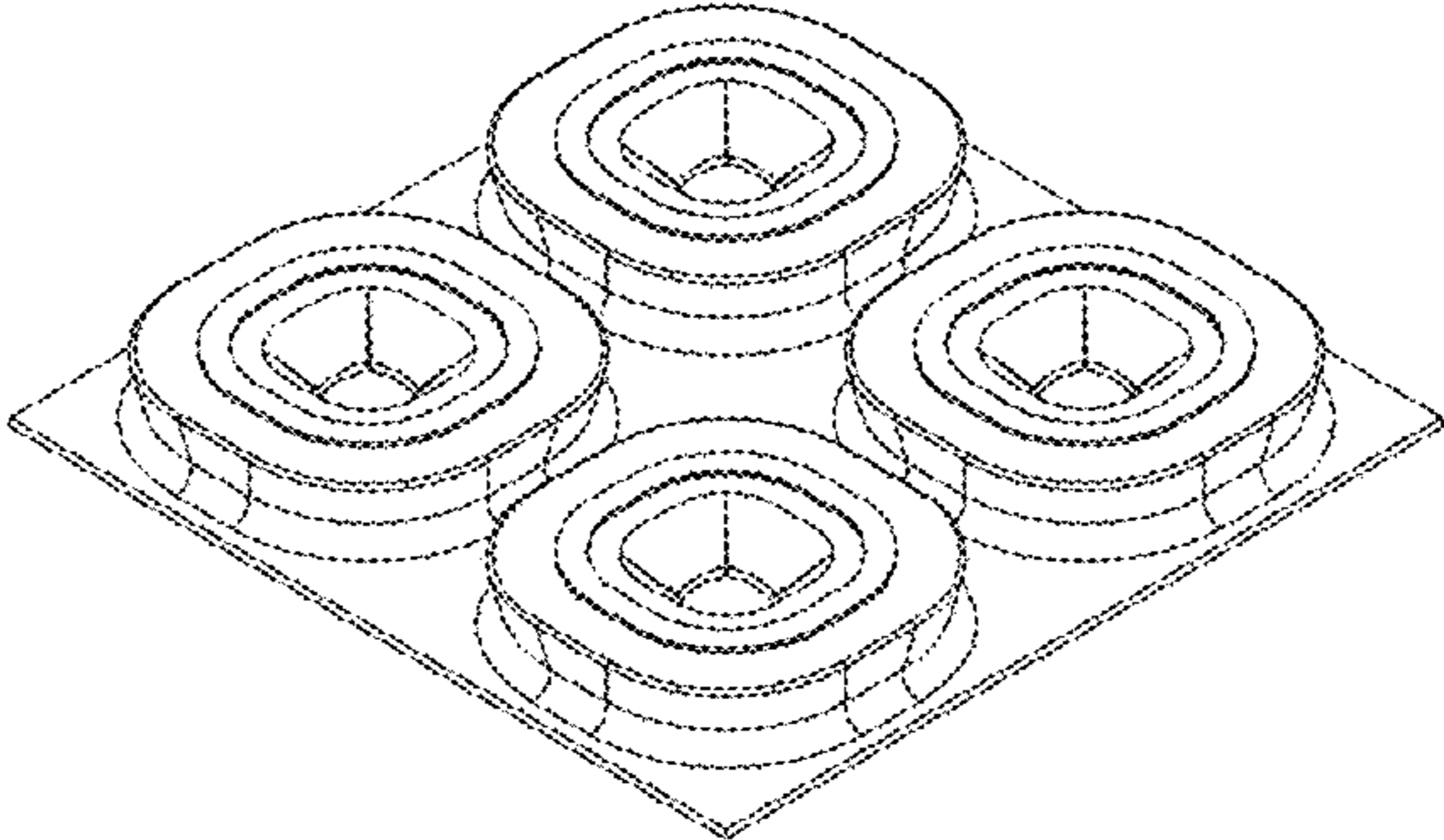
(51) **LOC (12) Cl.** ..... **25-01**  
(52) **U.S. Cl.**  
USPC ..... **D25/138**  
(58) **Field of Classification Search**  
USPC ..... D25/138, 142, 144, 152, 153, 156, 157,  
D25/158, 159, 160, 161, 163, 199;  
D10/113.1  
CPC .... H05B 3/00; H05B 3/28; F24D 3/12; F24D  
3/14; F24D 3/142; F24D 3/146; F24D  
13/02; F24D 3/02; E04C 2/52; E04F  
15/185  
See application file for complete search history.

(57) **CLAIM**  
The ornamental design for a subfloor, as shown and described.

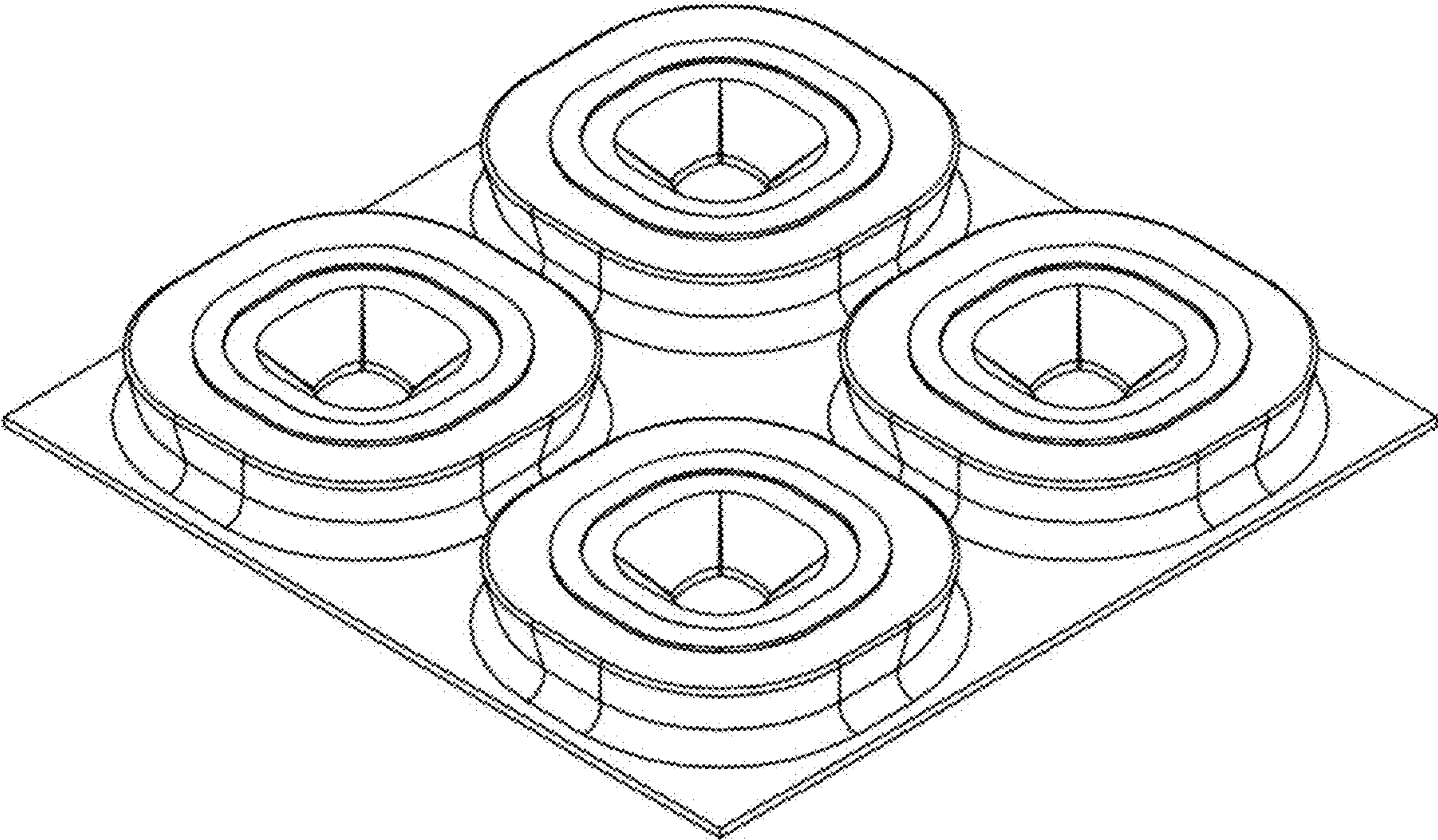
(56) **References Cited**  
U.S. PATENT DOCUMENTS  
9,719,265 B2\* 8/2017 Bordin ..... E04F 15/185  
9,726,383 B1\* 8/2017 Bordin ..... F24D 3/142

**DESCRIPTION**  
1. Subfloor  
Figure 1.1 is a top perspective view of a subfloor;  
Figure 1.2 is a bottom perspective view thereof;  
Figure 1.3 is a top view thereof;  
Figure 1.4 is a bottom view thereof; and  
Figure 1.5 is a right side view thereof, with all other side views being a mirror image thereof.  
The present new ornamental design relates to a subfloor and particularly to a portion of a sheet for subfloors including protrusions. The design is used for underfloor heating systems or embedded in walls of buildings.

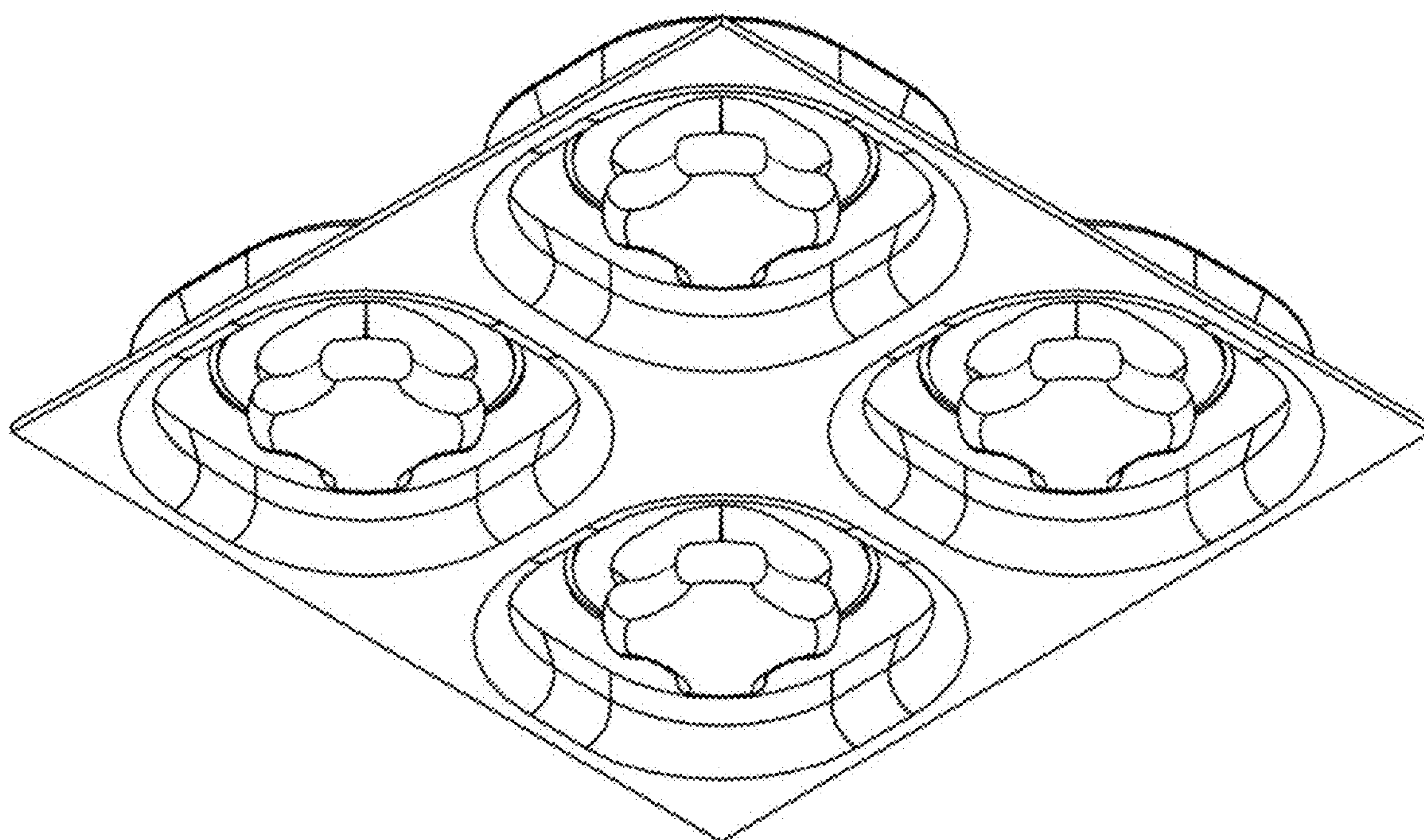
**1 Claim, 5 Drawing Sheets**



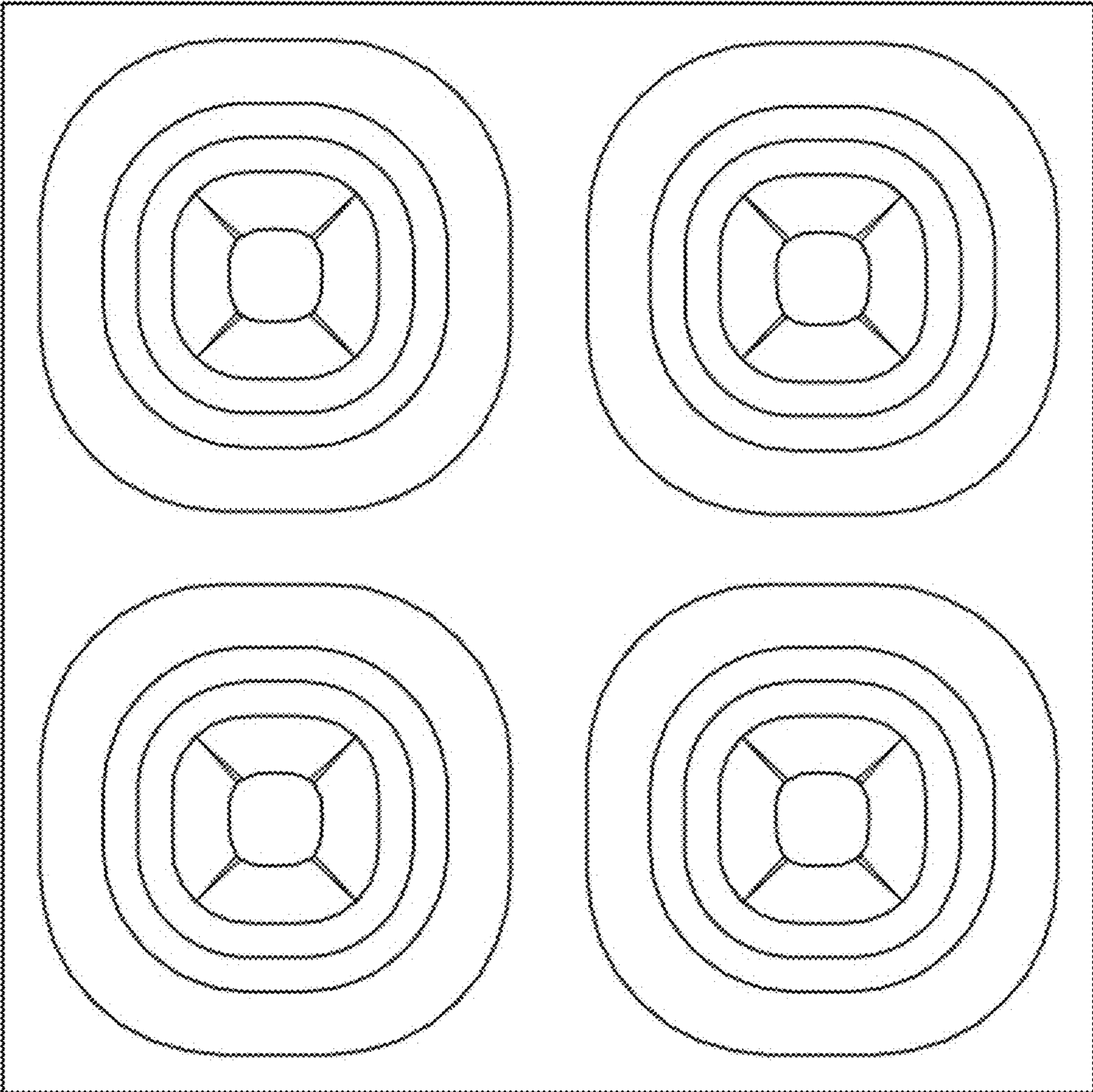
1.1



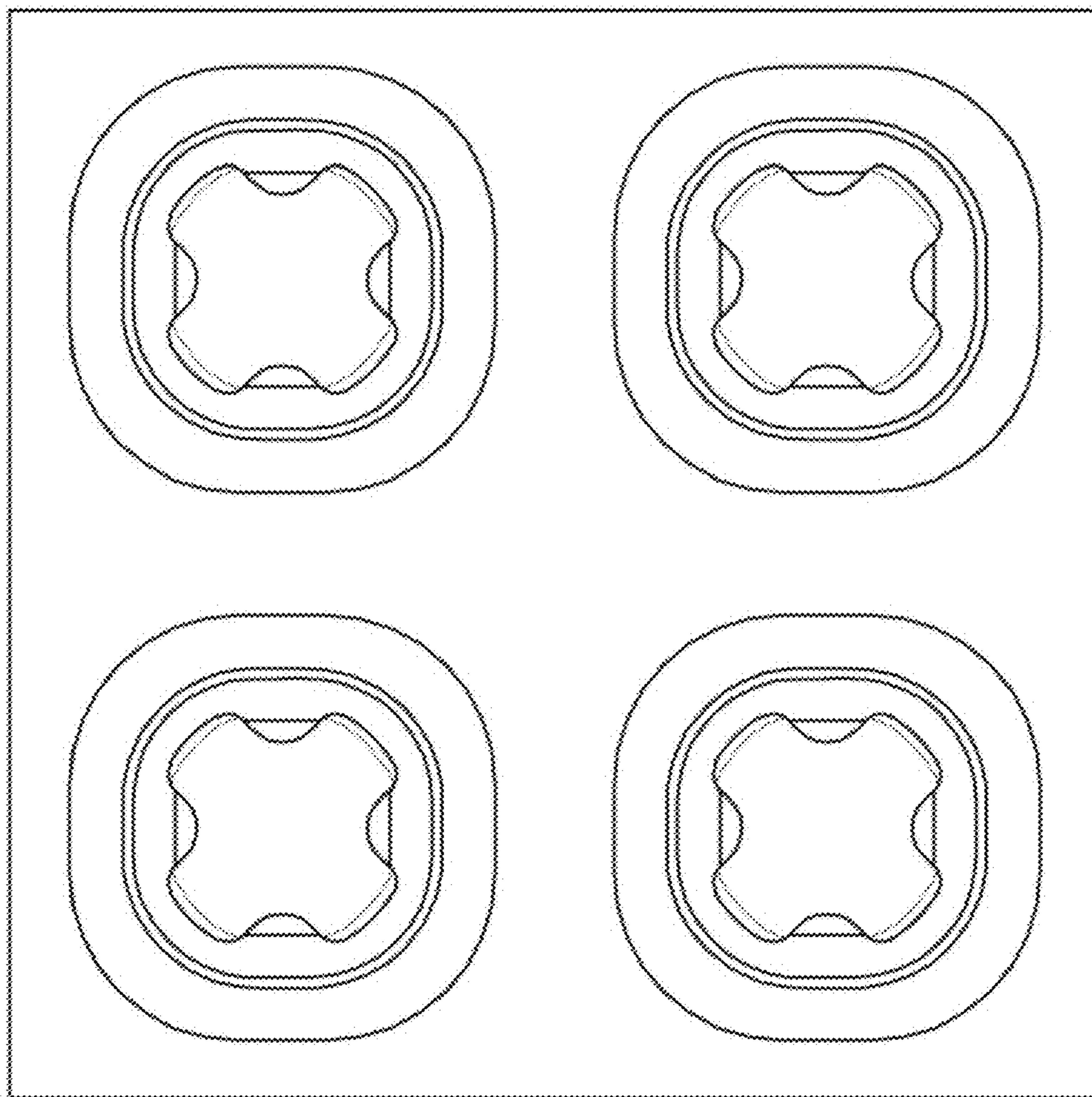
1.2



1.3



1.4



1.5

