



US00D857242S

(12) **United States Design Patent**
Darrow et al.

(10) **Patent No.:** **US D857,242 S**
(45) **Date of Patent:** **** Aug. 20, 2019**

(54) **ARCHITECTURAL WALL TILE WITH
THREE DIMENSIONAL ELONGATED
HEXAGON SURFACE**

9,612,091 B1 * 4/2017 Blair F41H 5/0492
D804,060 S * 11/2017 Korpihete D25/163
D806,906 S * 1/2018 Kitajima D25/138
D819,836 S * 6/2018 Noel D25/138

(71) Applicants: **Todd Darrow**, Edmonds, WA (US);
Janell Dastrup, Bellevue, WA (US);
Ryan Savage, Seattle, WA (US)

OTHER PUBLICATIONS

Shapes and Finishes—Lumicor (on-line), dated Jun. 20, 2018.
Retrieved from Internet Apr. 27, 2019, URL: <https://web.archive.org/web/20180620010807/https://lumicor.com/products/kuvio/shapes-finishes> (2 pages) (Year: 2018).*

(72) Inventors: **Todd Darrow**, Edmonds, WA (US);
Janell Dastrup, Bellevue, WA (US);
Ryan Savage, Seattle, WA (US)

* cited by examiner

(73) Assignee: **Lumicor Inc.**, Renton, WA (US)

Primary Examiner — Kevin K Rudzinski
Assistant Examiner — Kimberly Barnes

(**) Term: **15 Years**

(21) Appl. No.: **29/646,101**

(22) Filed: **May 1, 2018**

(51) **LOC (12) Cl.** **25-01**

(52) **U.S. Cl.**
USPC **D25/138**

(58) **Field of Classification Search**
USPC D25/138, 145, 148, 157, 163; D1/121,
D1/122, 127
CPC E04B 1/84; E04B 1/8404; E04B 9/0464;
E04B 9/24; E04B 9/242; E04B 9/225;
E04B 9/00
See application file for complete search history.

(57) **CLAIM**

We claim the ornamental design for an architectural wall tile with three dimensional elongated hexagon surface, as shown and described.

DESCRIPTION

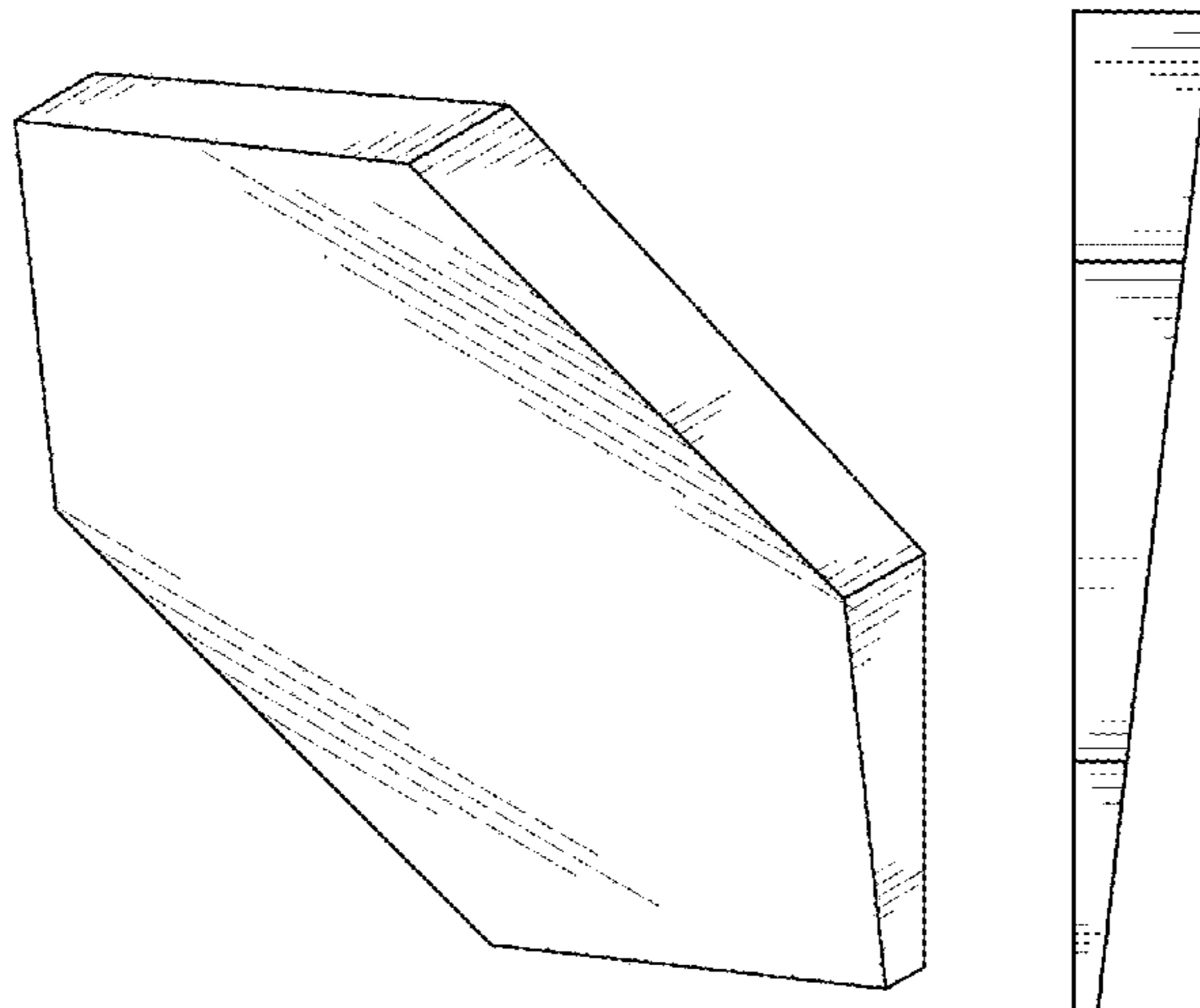
FIG. 1 is a perspective view of an architectural wall tile with three dimensional elongated hexagon surface, showing our new design.
FIG. 2 is a front view of the architectural wall tile with three dimensional elongated hexagon surface.
FIG. 3 is a back view of the architectural wall tile with three dimensional elongated hexagon surface.
FIG. 4 is a left side view of the architectural wall tile with three dimensional elongated hexagon surface.
FIG. 5 is a right side view of the architectural wall tile with three dimensional elongated hexagon surface.
FIG. 6 is a top view of the architectural wall tile with three dimensional elongated hexagon surface; and,
FIG. 7 is a bottom view of the architectural wall tile with three dimensional elongated hexagon surface.

(56) **References Cited**

U.S. PATENT DOCUMENTS

2,935,152 A * 5/1960 Maccaferri E04B 9/001
181/290
D257,742 S * 12/1980 Gerlach D25/157
D474,550 S * 5/2003 Wendt D25/138
6,782,670 B2 * 8/2004 Wendt E04B 9/0478
52/311.1
D595,477 S * 7/2009 Loret D1/121
D662,616 S * 6/2012 Waters D25/157
8,960,367 B1 * 2/2015 Leclerc G10K 11/20
181/286

1 Claim, 3 Drawing Sheets



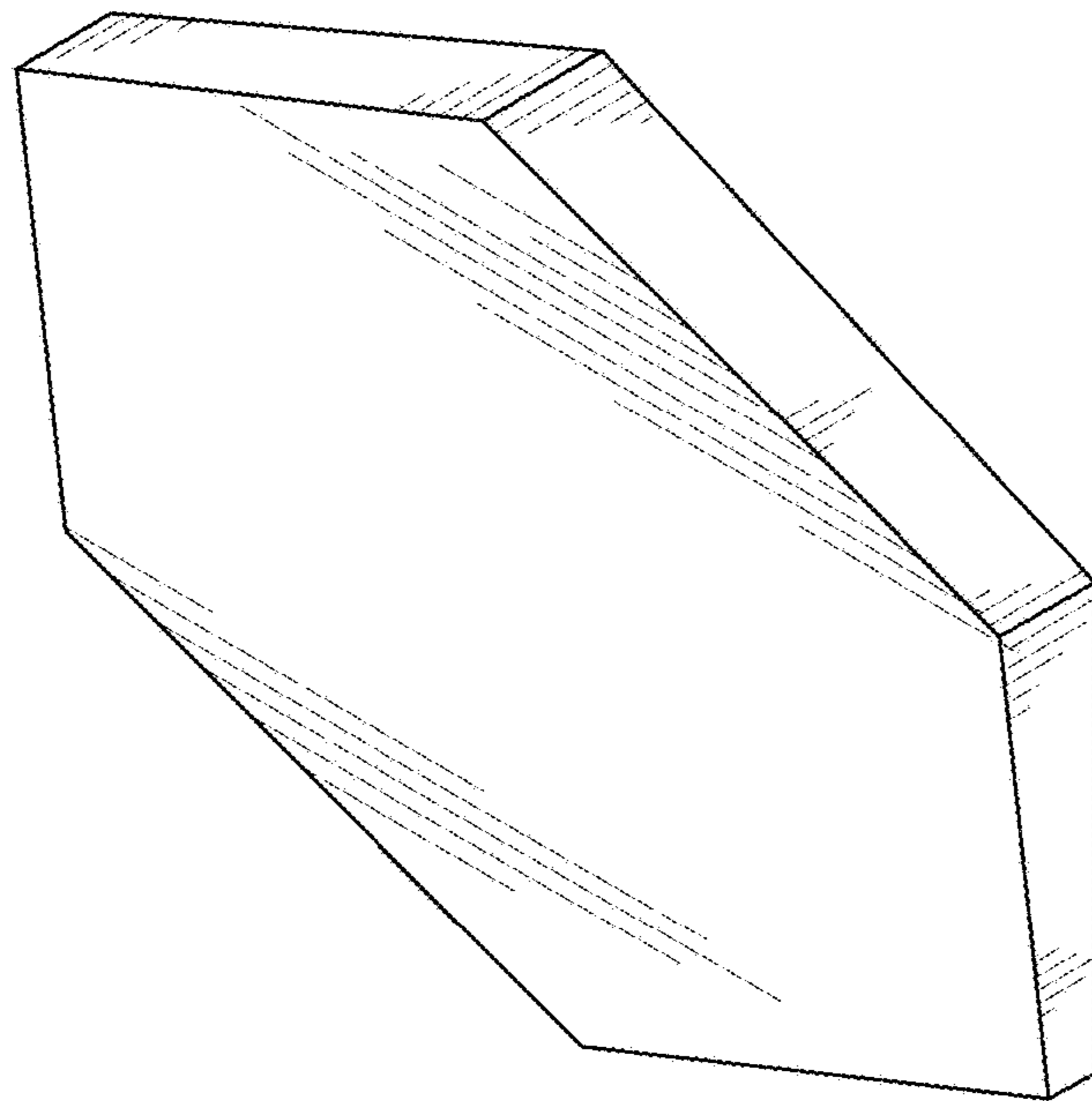


Fig. 1

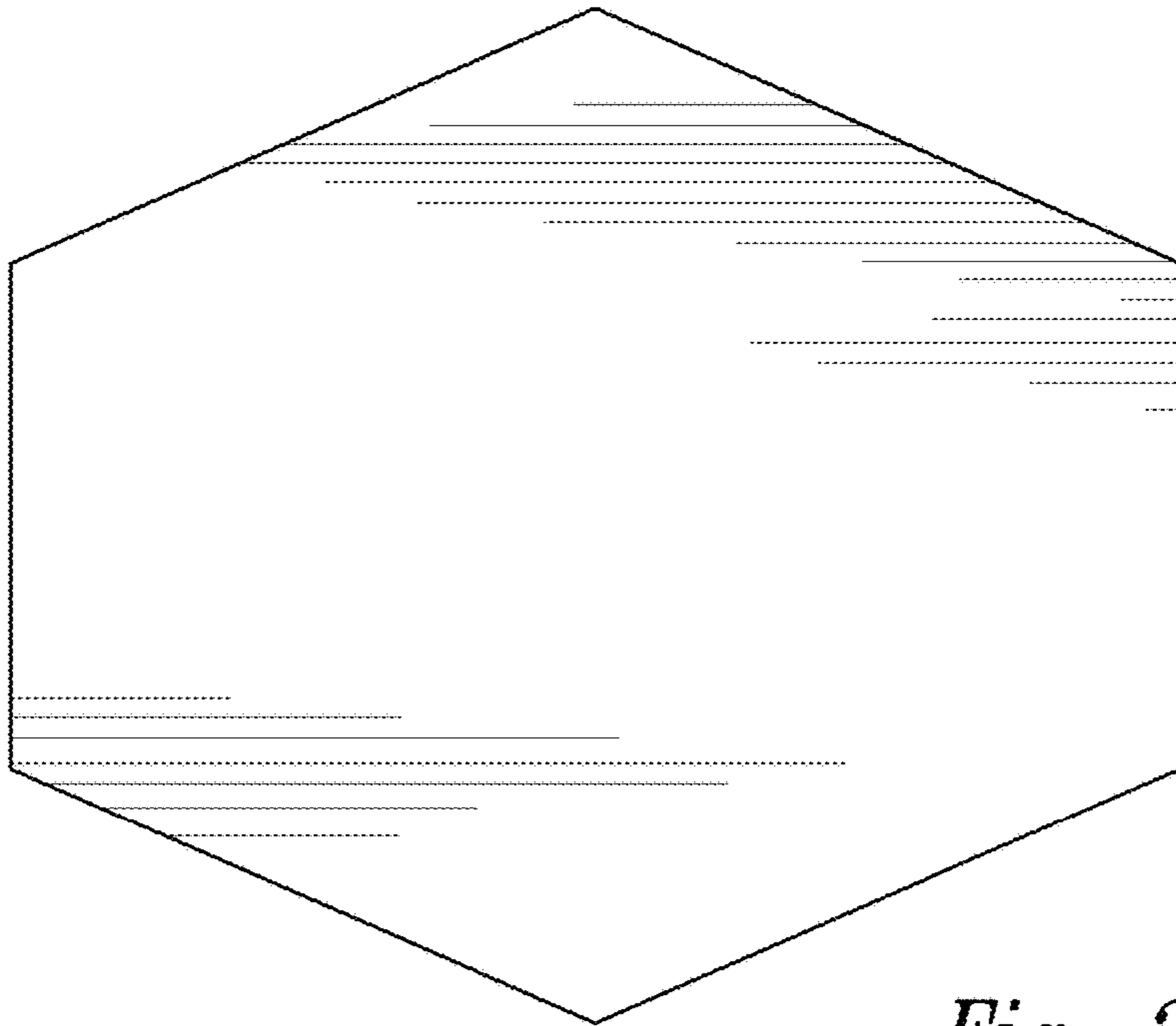


Fig. 2

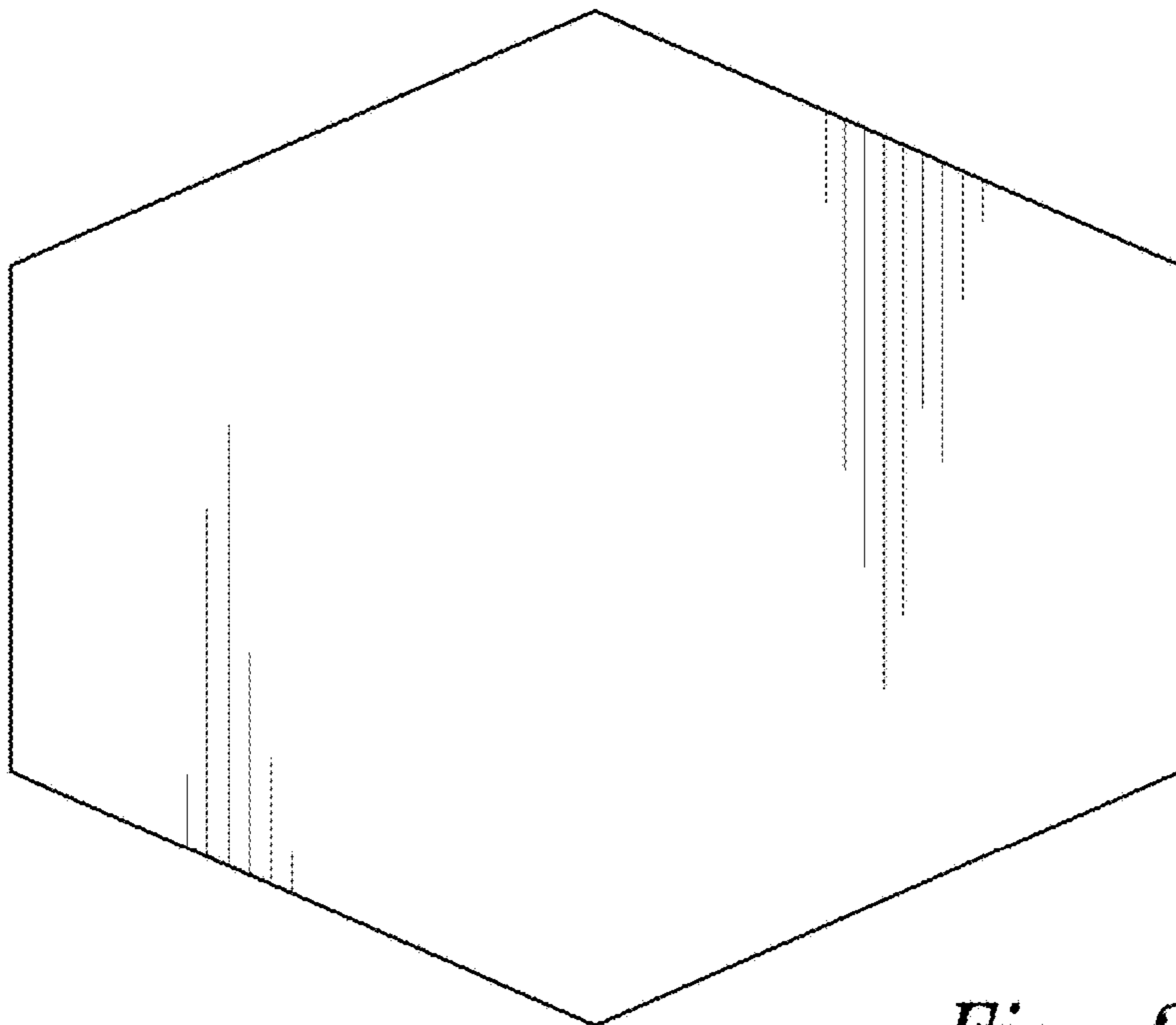


Fig. 3

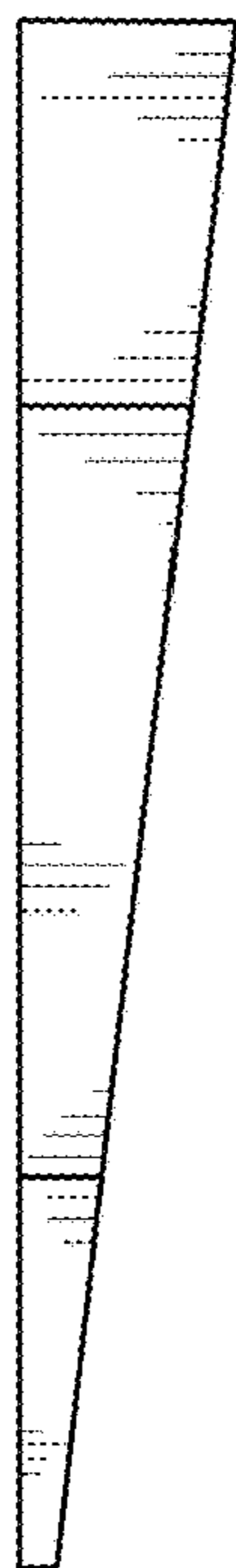


Fig. 4



Fig. 5

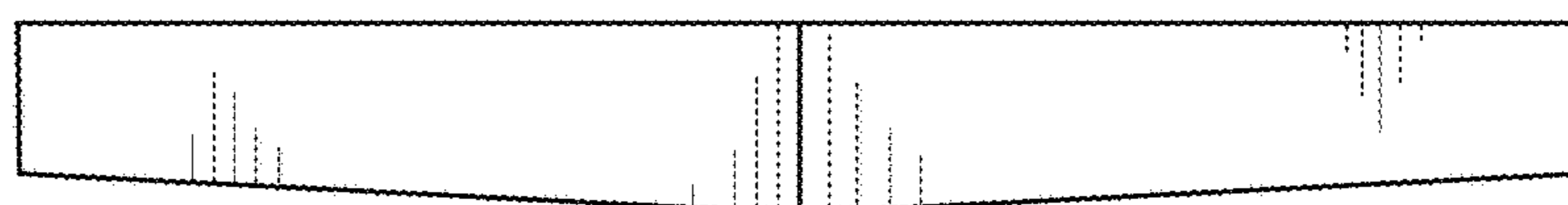


Fig. 6

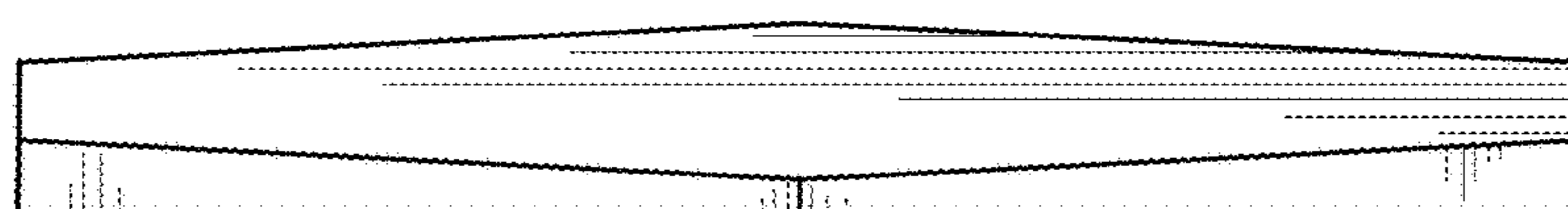


Fig. 7