



US00D857241S

(12) **United States Design Patent** (10) **Patent No.:** **US D857,241 S**
Sakamoto et al. (45) **Date of Patent:** **** Aug. 20, 2019**

(54) **BEAM**

(71) Applicant: **Kobe Steel, Ltd.**, Kobe-shi (JP)

(72) Inventors: **Kazuki Sakamoto**, Kobe (JP);
Takayuki Kimura, Kobe (JP); **Kenichi Watanabe**, Kobe (JP); **Kensuke Funada**, Kobe (JP)

(73) Assignee: **Kobe Steel, Ltd.**, Kobe-shi (JP)

(**) Term: **15 Years**

(21) Appl. No.: **29/613,353**

(22) Filed: **Aug. 9, 2017**

(30) **Foreign Application Priority Data**

Feb. 20, 2017 (JP) 2017-003258
Feb. 20, 2017 (JP) 2017-003267
Feb. 20, 2017 (JP) 2017-003268

(51) **LOC (12) Cl.** **25-01**

(52) **U.S. Cl.**
USPC **D25/126**

(58) **Field of Classification Search**

USPC D25/126
CPC ... E04C 2/08; E04C 2/322; E04C 3/07; B29C
70/52; E04B 9/18; E04B 9/008; E04B
9/067; E04B 9/241; E04B 9/245; E04B
2002/867; E04B 2002/0297

See application file for complete search history.

(56) **References Cited**

U.S. PATENT DOCUMENTS

D653,592 S * 2/2012 Brown D12/162
D711,021 S * 8/2014 Singh D25/119

(Continued)

Primary Examiner — Michael A. Pratt

(74) *Attorney, Agent, or Firm* — Oblon, McClelland,
Maier & Neustadt, L.L.P.

(57) **CLAIM**

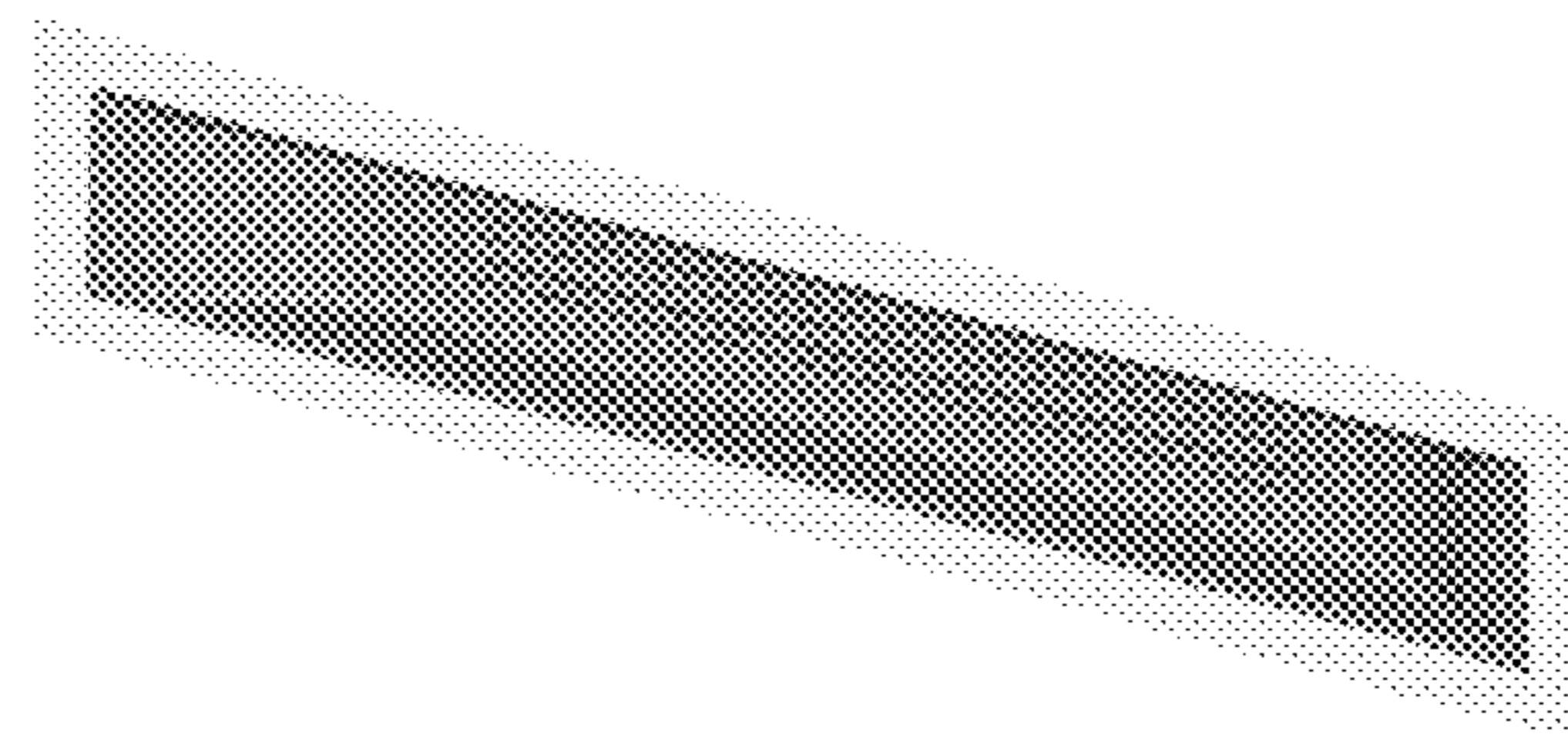
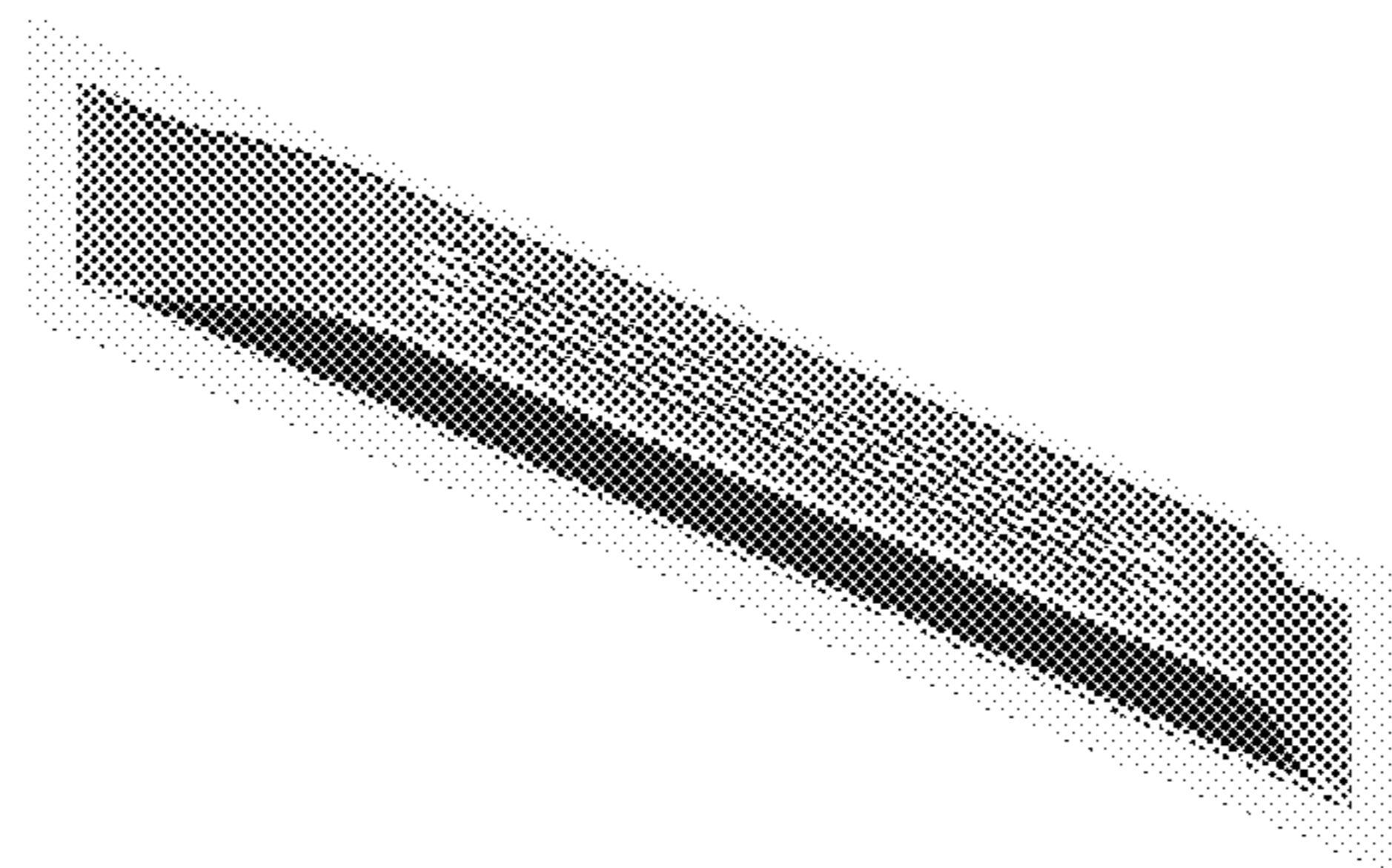
The ornamental design for a beam, as shown and described.

DESCRIPTION

FIG. 1 is a first perspective view of a beam showing a first embodiment of our new design;
FIG. 2 is a second perspective view thereof;
FIG. 3 is a front view thereof, the opposite side being an identical image of the side shown herein;
FIG. 4 is a right side view thereof, the opposite side being an identical image of the side shown herein;
FIG. 5 is a top view thereof;
FIG. 6 is a bottom view thereof;
FIG. 7 is an enlarged 7-7 sectional view thereof;
FIG. 8 is a first perspective view of a beam showing a second embodiment of our new design;
FIG. 9 is a second perspective view thereof;
FIG. 10 is a front view thereof, the opposite side being an identical image of the side shown herein;
FIG. 11 is a right side view thereof, the opposite side being an identical image of the side shown herein;
FIG. 12 is a top view thereof;
FIG. 13 is a bottom view thereof;
FIG. 14 is an enlarged 14-14 sectional view thereof;
FIG. 15 is a first perspective view of a beam showing a third embodiment of our new design;
FIG. 16 is a second perspective view thereof;
FIG. 17 is a front view thereof, the opposite side being an identical image of the side shown herein;
FIG. 18 is a right side view thereof, the opposite side being an identical image of the side shown herein;
FIG. 19 is a top view thereof;
FIG. 20 is a bottom view thereof; and,
FIG. 21 is an enlarged 14-14 sectional view.

The de-emphasized and halftone portions shown in the drawings illustrate environmental structure for the front portion of a beam that forms no part of the claimed design.

1 Claim, 21 Drawing Sheets



(56)

References Cited

U.S. PATENT DOCUMENTS

D732,373 S * 6/2015 Wagner D8/349
D742,540 S * 11/2015 Singh D25/119
D742,543 S * 11/2015 Singh D25/119
D817,520 S * 5/2018 Gonzales D25/126
2007/0063118 A1* 3/2007 Owens A47C 4/02
248/300
2015/0240486 A1* 8/2015 Sacks E04C 3/00
52/633
2015/0308116 A1* 10/2015 Bogh E04C 2/322
52/579
2018/0363297 A1* 12/2018 Bogh E04C 2/08

* cited by examiner

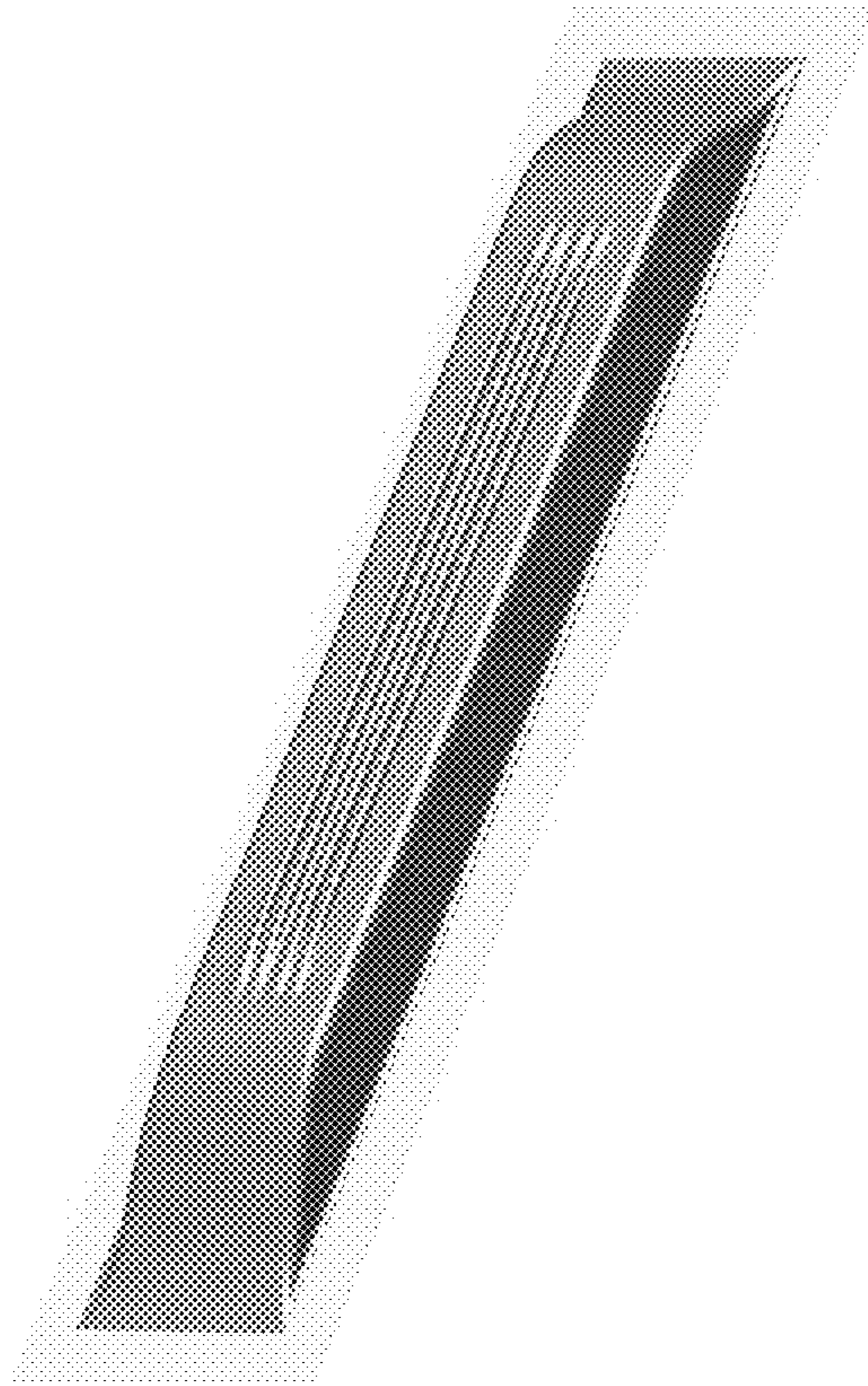


FIG.1

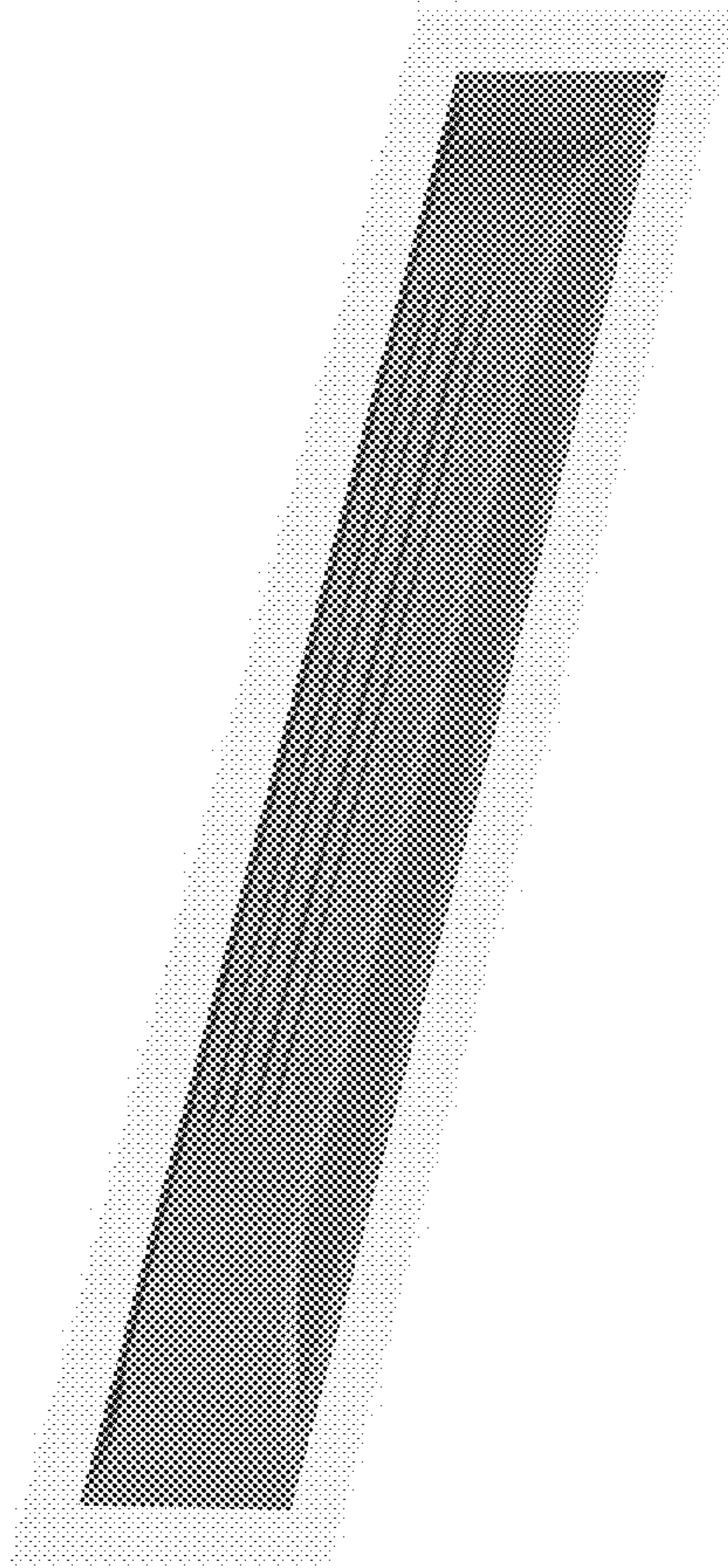


FIG.2

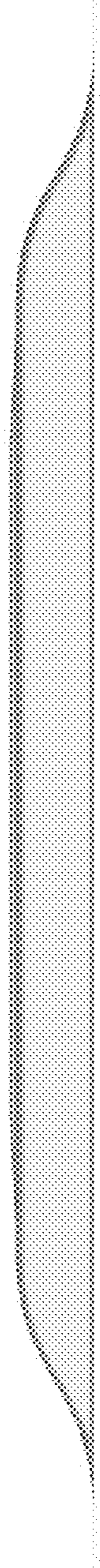
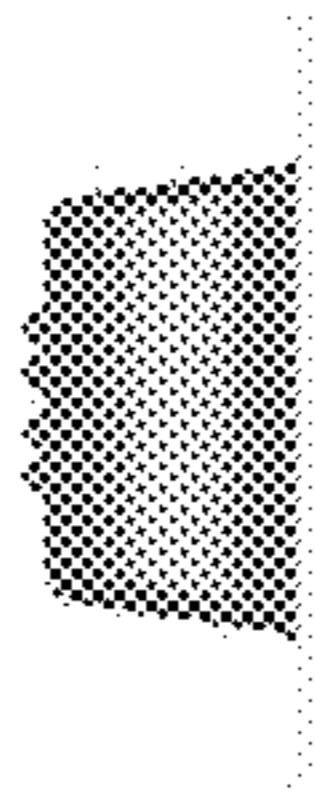


FIG.3

FIG.4



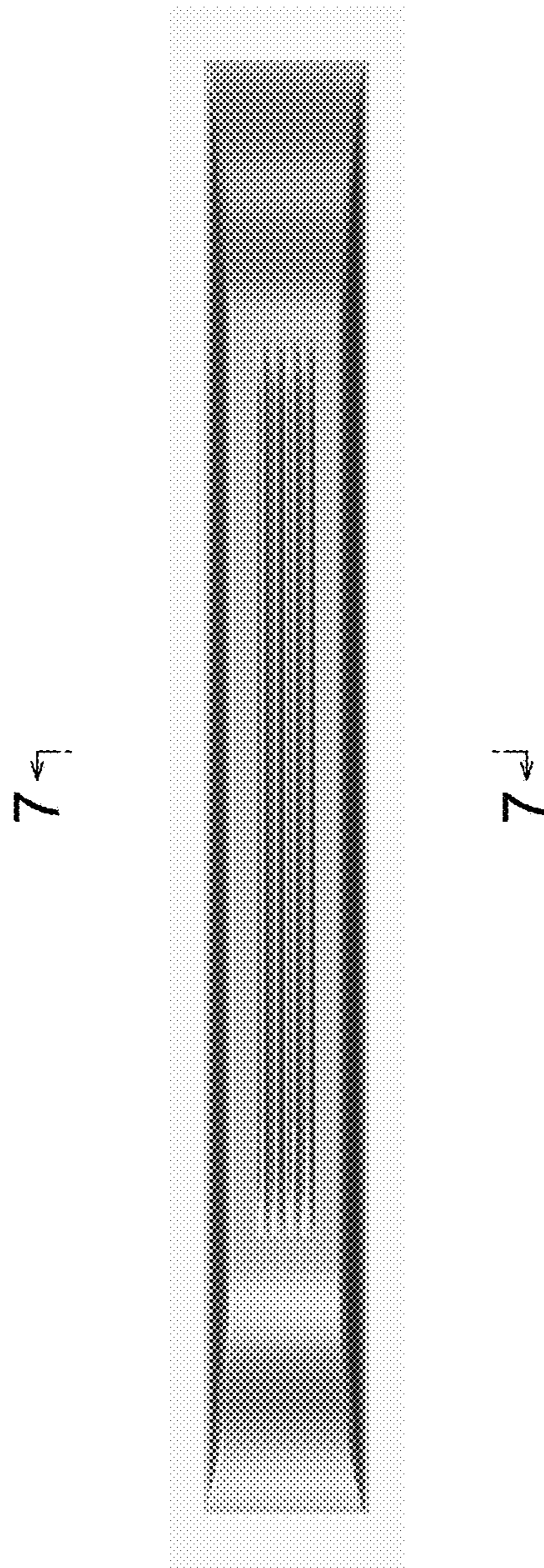


FIG. 5

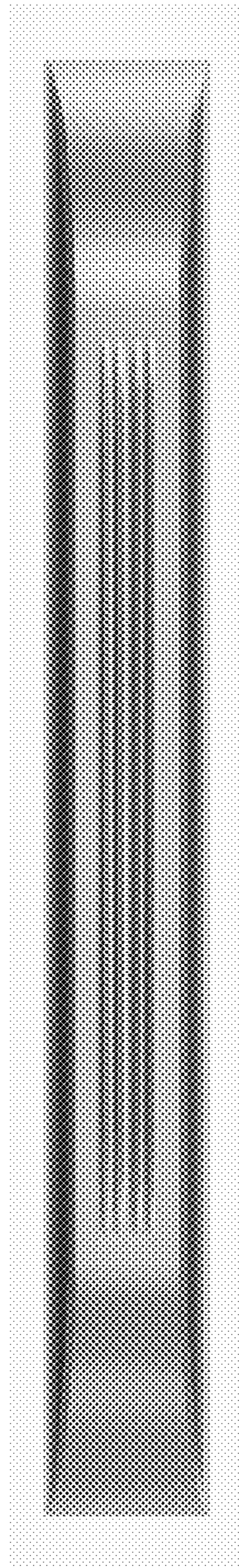


FIG.6

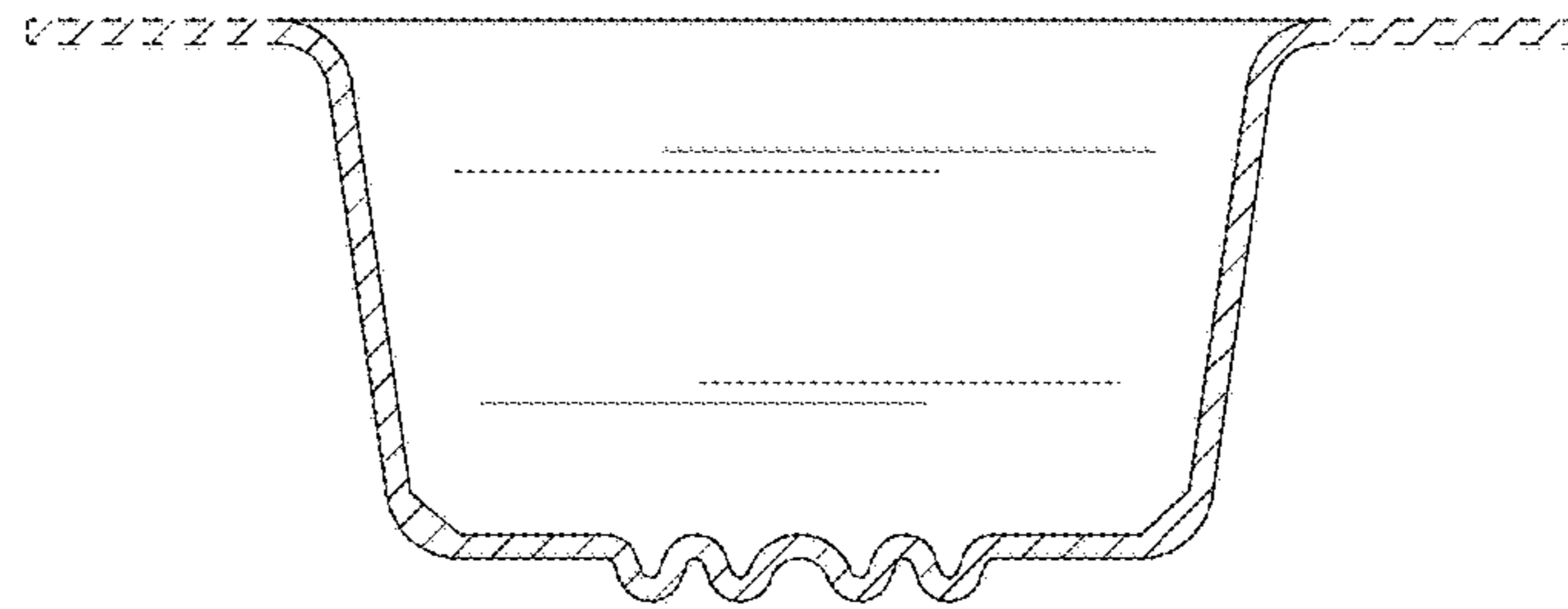


FIG. 7

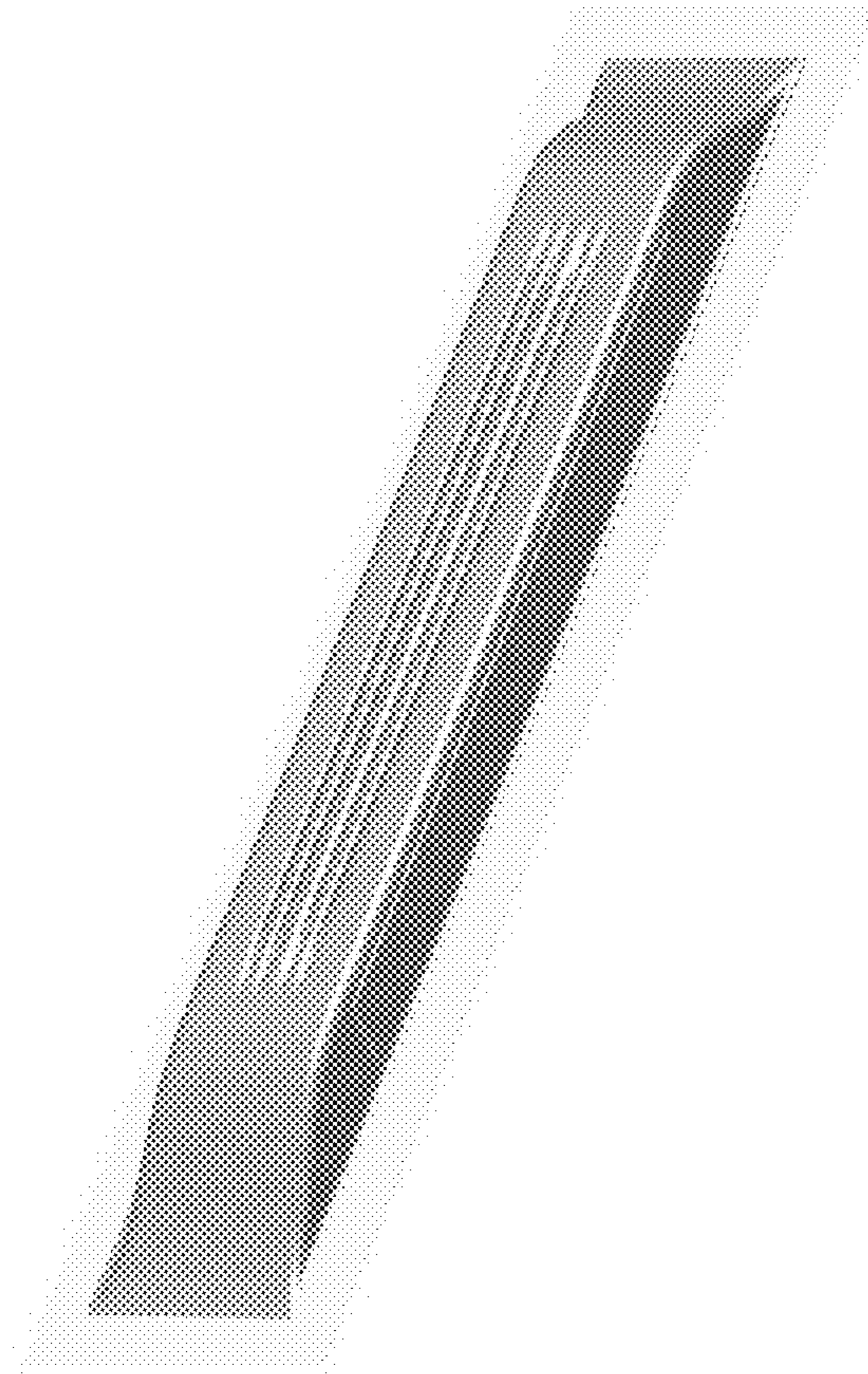


FIG. 8

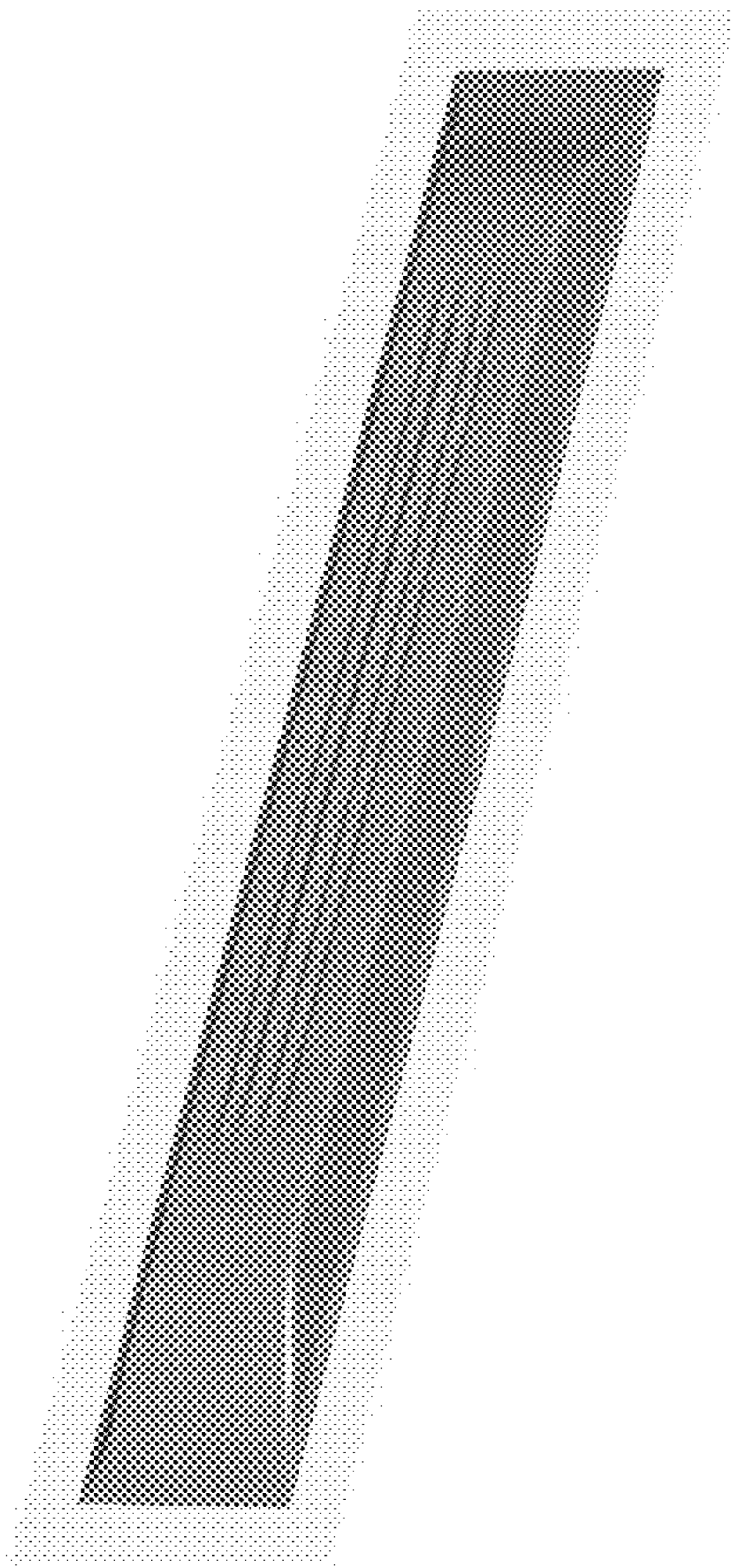


FIG. 9

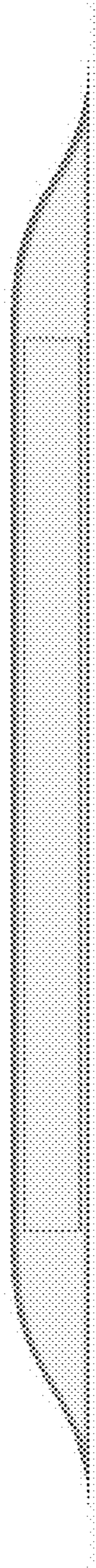


FIG.10

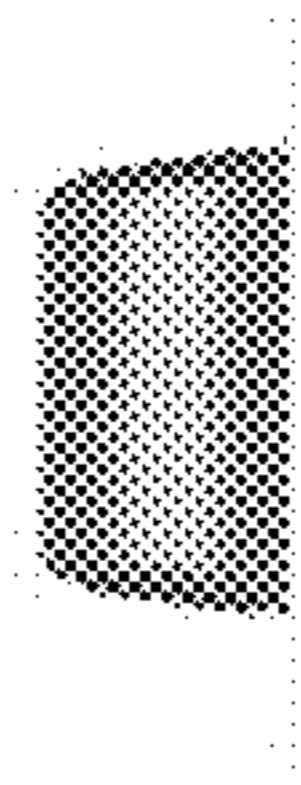
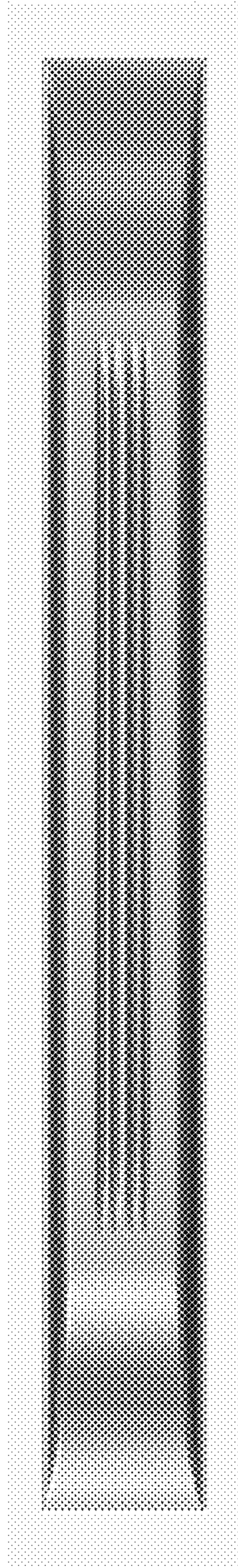


FIG.11

14



14

FIG.12

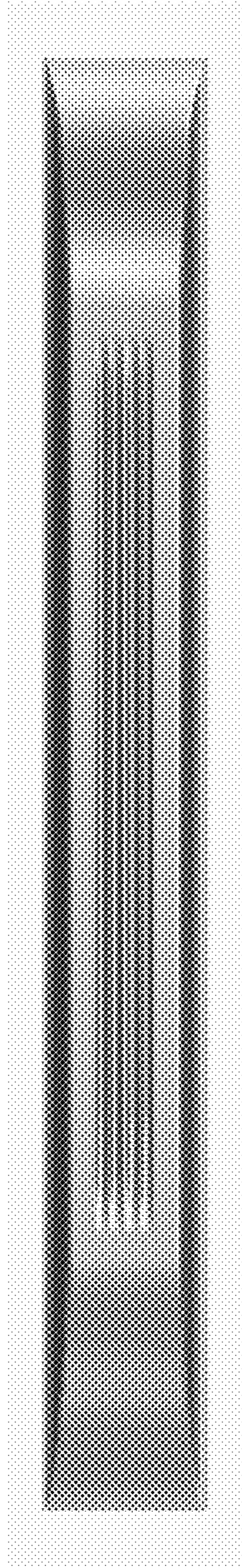
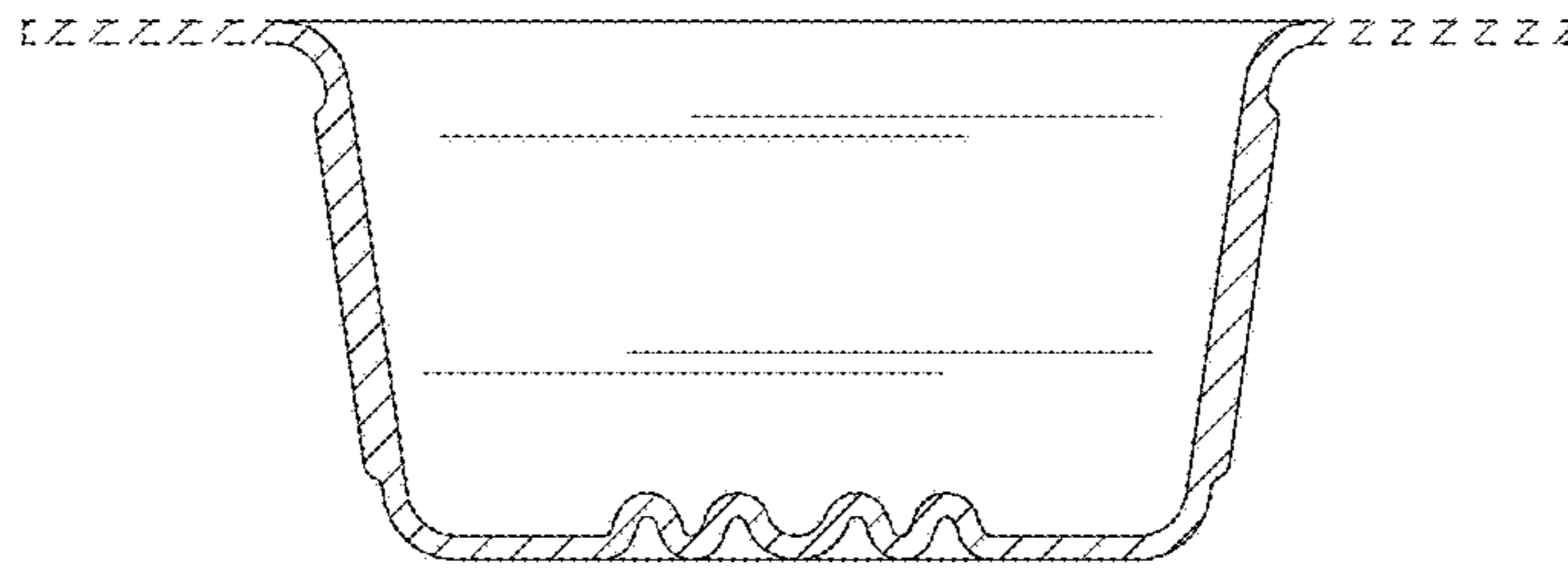


FIG.13

FIG.14



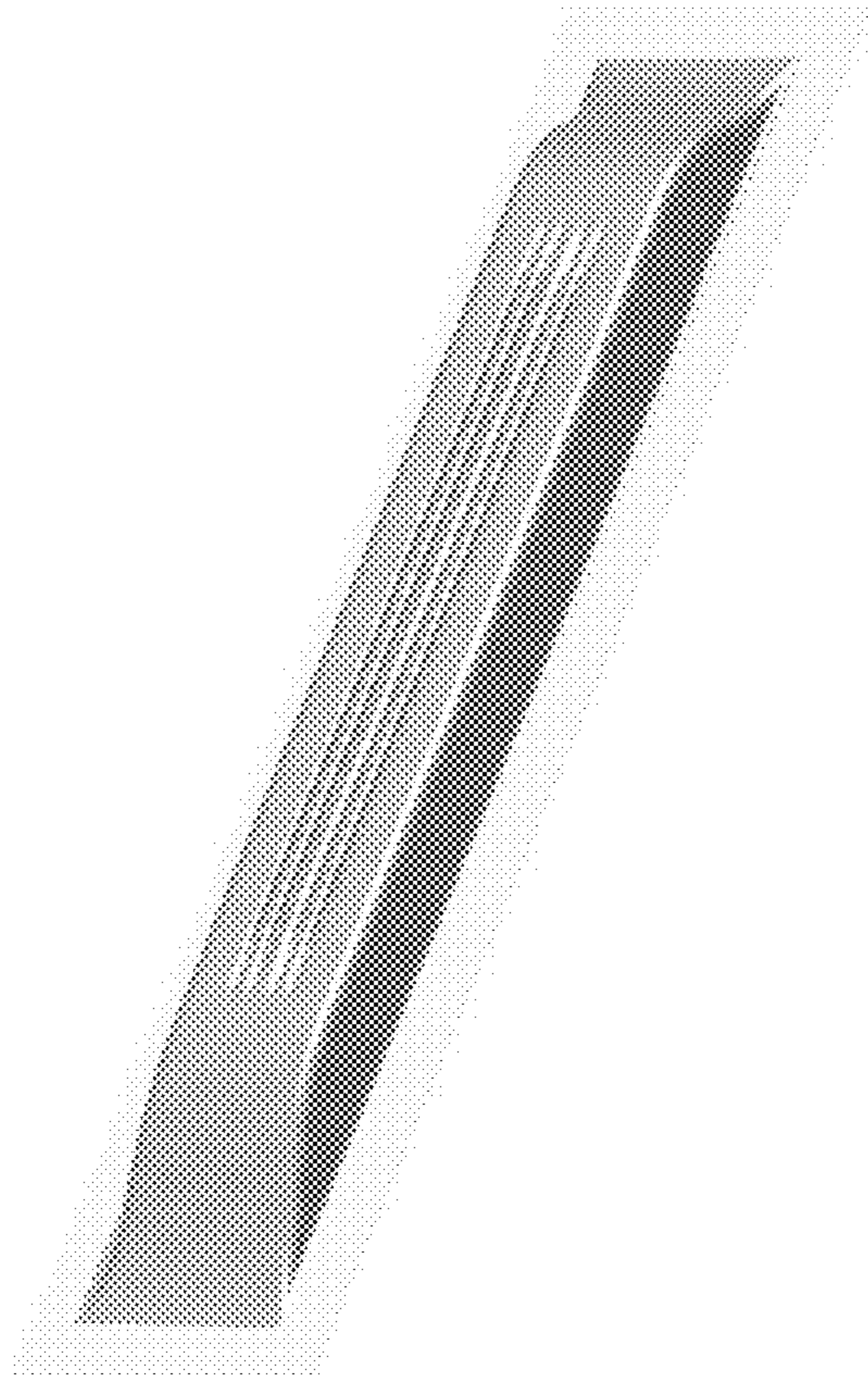


FIG.15

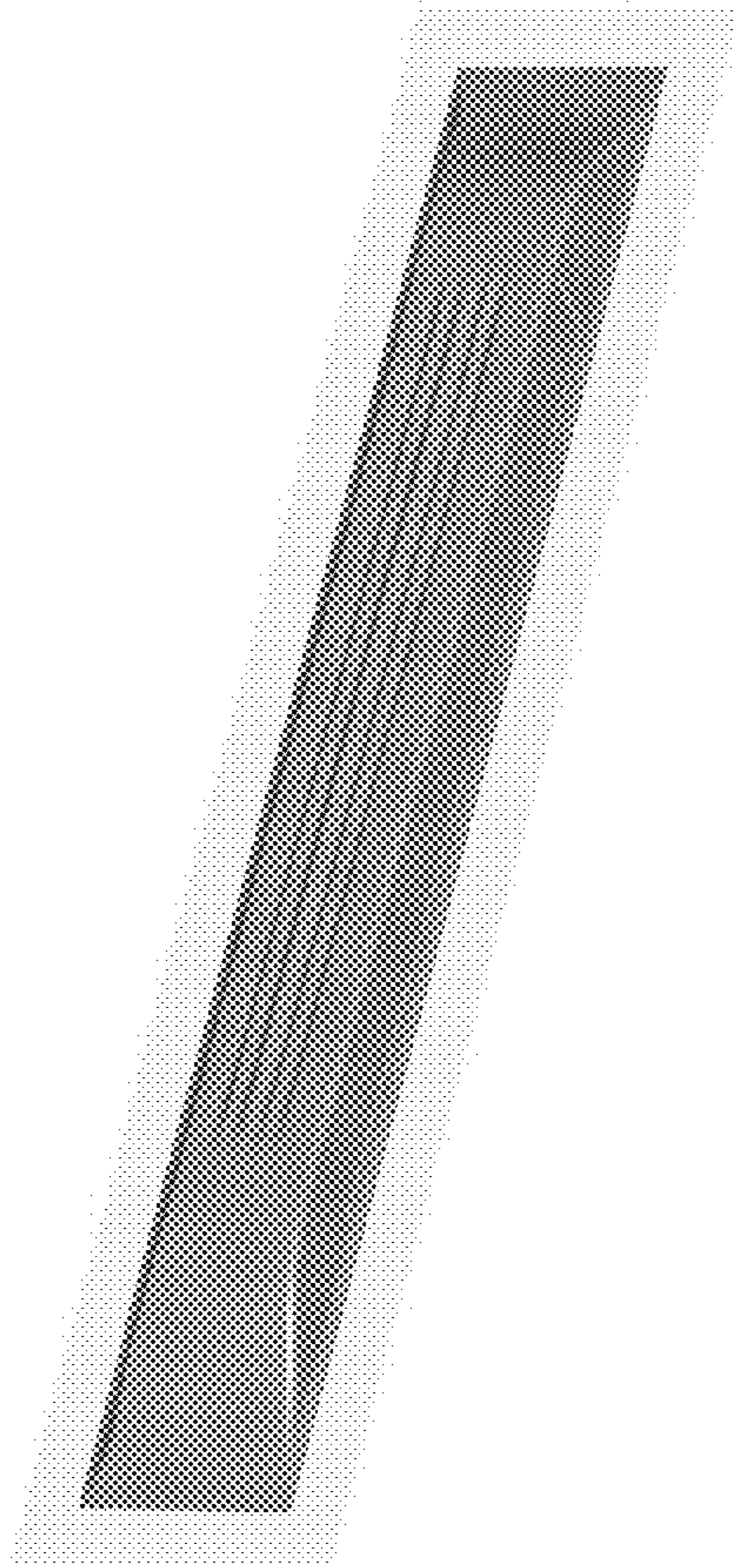


FIG.16

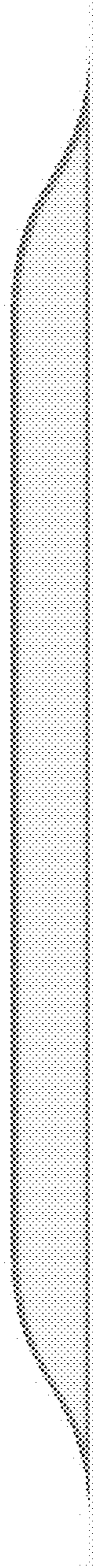
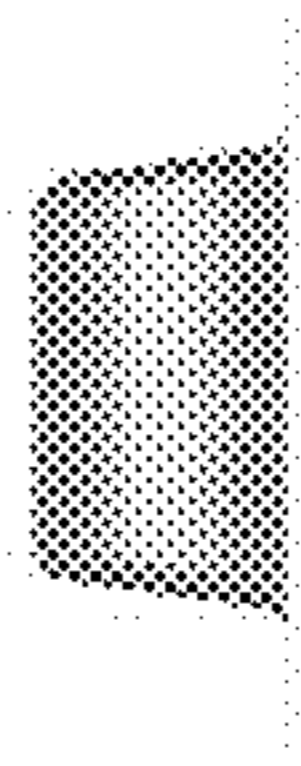
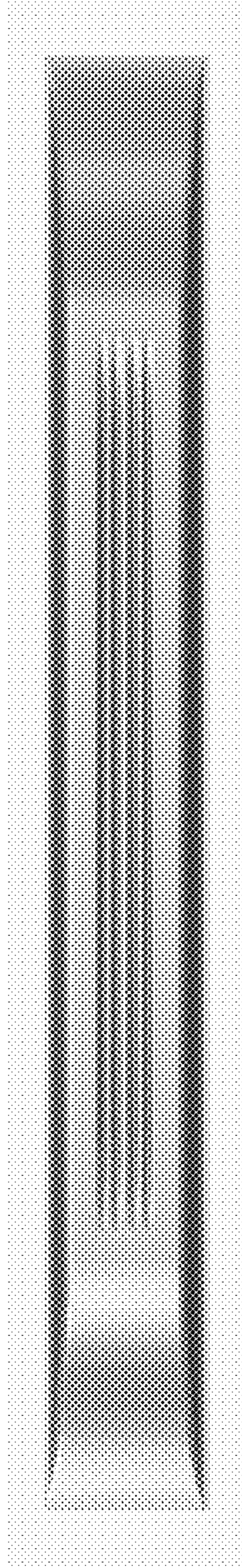


FIG.17

FIG. 18



21↙



21↘

FIG.19

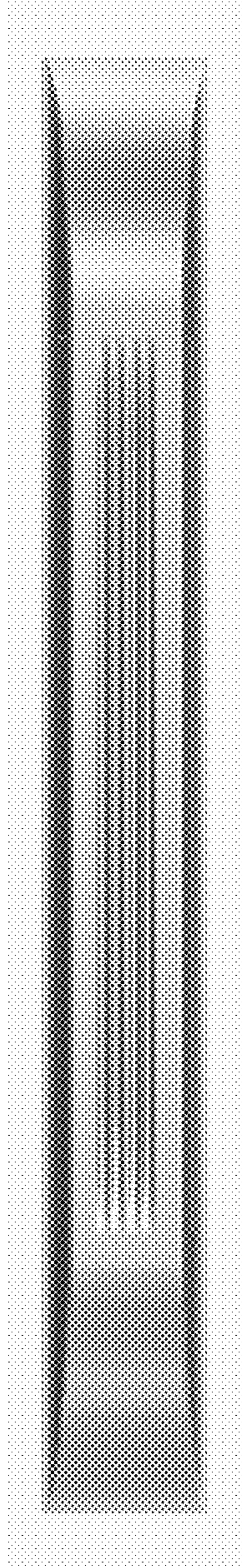


FIG.20

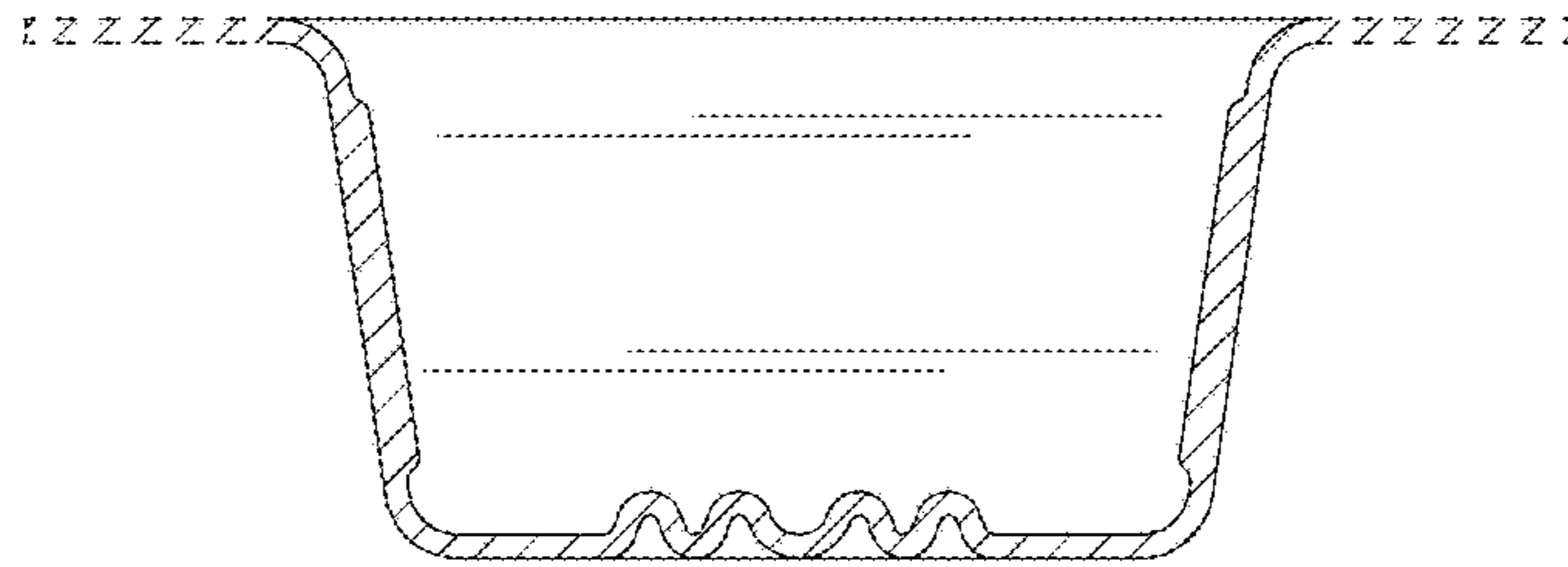


FIG.21