



US00D857239S

(12) **United States Design Patent** (10) **Patent No.:** **US D857,239 S**
Abelman et al. (45) **Date of Patent:** **** *Aug. 20, 2019**

(54) **MODULAR PUBLIC SPACE STRUCTURE**

(71) Applicant: **FXFOWLE Architects, LLP**, New York, NY (US)

(72) Inventors: **Ben Abelman**, New York, NY (US); **Aditya Ghosh**, New York, NY (US); **Carol Hsiung**, New York, NY (US); **Catherine Joseph**, New York, NY (US); **Daniel Kaplan**, New York, NY (US); **Gerard Geier**, New York, NY (US); **David Wallace**, New York, NY (US); **Emau Vega**, New York, NY (US); **Erica Alonzo**, New York, NY (US); **Frank Lindemann**, New York, NY (US); **Brandon Massey**, New York, NY (US); **Gustavo Rodriguez**, New York, NY (US); **Jack Robbins**, New York, NY (US); **Johanna Grazel**, New York, NY (US); **Michael Buesing**, New York, NY (US); **Natalia Valencia**, New York, NY (US); **Nicholas Coffee**, New York, NY (US); **Ross Brady**, New York, NY (US); **Sisto Tallini**, New York, NY (US); **Stefan Cavezzali**, New York, NY (US)

(73) Assignee: **FXCOLLABORATIVE ARCHITECTS LLP**, New York, NY (US)

(*) Notice: This patent is subject to a terminal disclaimer.

(**) Term: **15 Years**

(21) Appl. No.: **29/610,329**

(22) Filed: **Jul. 11, 2017**

(51) **LOC (12) Cl.** **25-04**

(52) **U.S. Cl.**
USPC **D25/62**

(58) **Field of Classification Search**

USPC D25/1, 3-5, 14-16, 18, 19, 31-33, 56, D25/61, 62, 126, 133; 52/126.6; D34/38
(Continued)

(56) **References Cited**

U.S. PATENT DOCUMENTS

3,086,256 A * 4/1963 Schieber, Jr. E04H 3/28
108/171
3,318,057 A * 5/1967 Norsworthy E04F 15/02452
52/126.6

(Continued)

Primary Examiner — Brett Miller

(74) *Attorney, Agent, or Firm* — Norton Rose Fulbright US LLP; Barry Greenbaum

(57) **CLAIM**

The ornamental design for a modular public space structure, as shown and described.

DESCRIPTION

FIG. 1 is a front perspective view of the modular public space structure;

FIG. 2 is a front elevational view thereof, the rear elevational view, the right side elevational view and the left side elevational view being a mirror image;

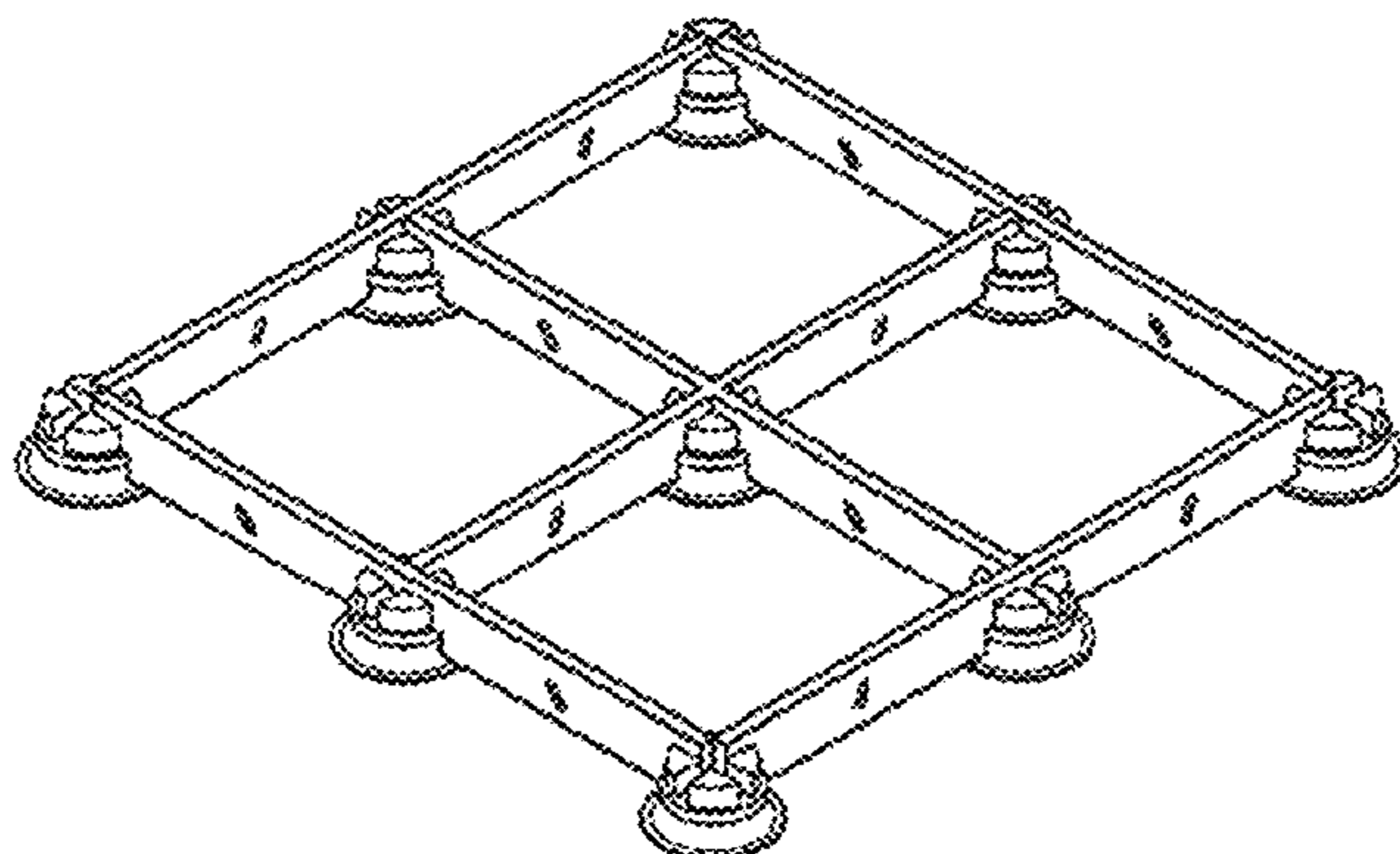
FIG. 3 is a top plan view thereof;

FIG. 4 is a bottom plan view thereof; and,

FIG. 5 is an exploded front perspective view thereof, the broken lines are for purposes of illustration and form no part of the claimed design.

The surface shading lines shown in the drawings are provided only to indicate the character and/or any contour or curvature of the surfaces of the design. They do not indicate color, texture, markings that actually exist thereon, indicia, graphic representations, surface treatment, or any other ornamentation applied to the article, and form no part of the claimed design.

1 Claim, 5 Drawing Sheets



US D857,239 S

Page 2

(58) **Field of Classification Search**

CPC E04H 1/00-12; E04H 3/24; E04H 3/28;
E04B 5/43; E04F 15/02452; E04F
15/02183

See application file for complete search history.

(56) **References Cited**

U.S. PATENT DOCUMENTS

D221,277 S * 7/1971 Eastman D34/38
3,811,237 A * 5/1974 Bettinger E04F 15/02447
52/126.6
D315,627 S * 3/1991 DeCrane D34/38
5,412,914 A * 5/1995 Daw E04B 1/19
52/126.6
5,904,009 A * 5/1999 Huang E04F 15/02452
52/126.6
D426,647 S * 6/2000 Pekin D25/62
6,637,161 B1 * 10/2003 Buchalter E04F 15/02447
52/126.6
D493,235 S * 7/2004 Strassle D25/61
D508,571 S * 8/2005 Weiser D25/133

8,002,943 B2 * 8/2011 Brown B24B 7/06
156/153
8,011,148 B2 * 9/2011 Bertke E04F 15/02452
52/263
D675,343 S * 1/2013 Davis E04H 3/28
D25/62
9,938,728 B2 * 4/2018 Kugler E04F 15/02183
10,047,528 B1 * 8/2018 Kim E04F 15/02452
2002/0078638 A1 * 6/2002 Huang E04B 5/10
52/126.6
2011/0214369 A1 * 9/2011 Weber E04F 15/02183
52/188
2012/0272588 A1 * 11/2012 Kugler E04F 15/02183
52/126.6
2012/0291369 A1 * 11/2012 Knight, III E04D 11/007
52/126.6
2013/0042545 A1 * 2/2013 Andrews E04F 15/02044
52/126.6
2017/0044776 A1 * 2/2017 Lopez E04F 15/02183
2018/0112417 A1 * 4/2018 Cipriani E04F 15/02452
2018/0135311 A1 * 5/2018 Cipriani E04F 15/02452
2018/0320386 A1 * 11/2018 Canfield E04F 15/02452

* cited by examiner

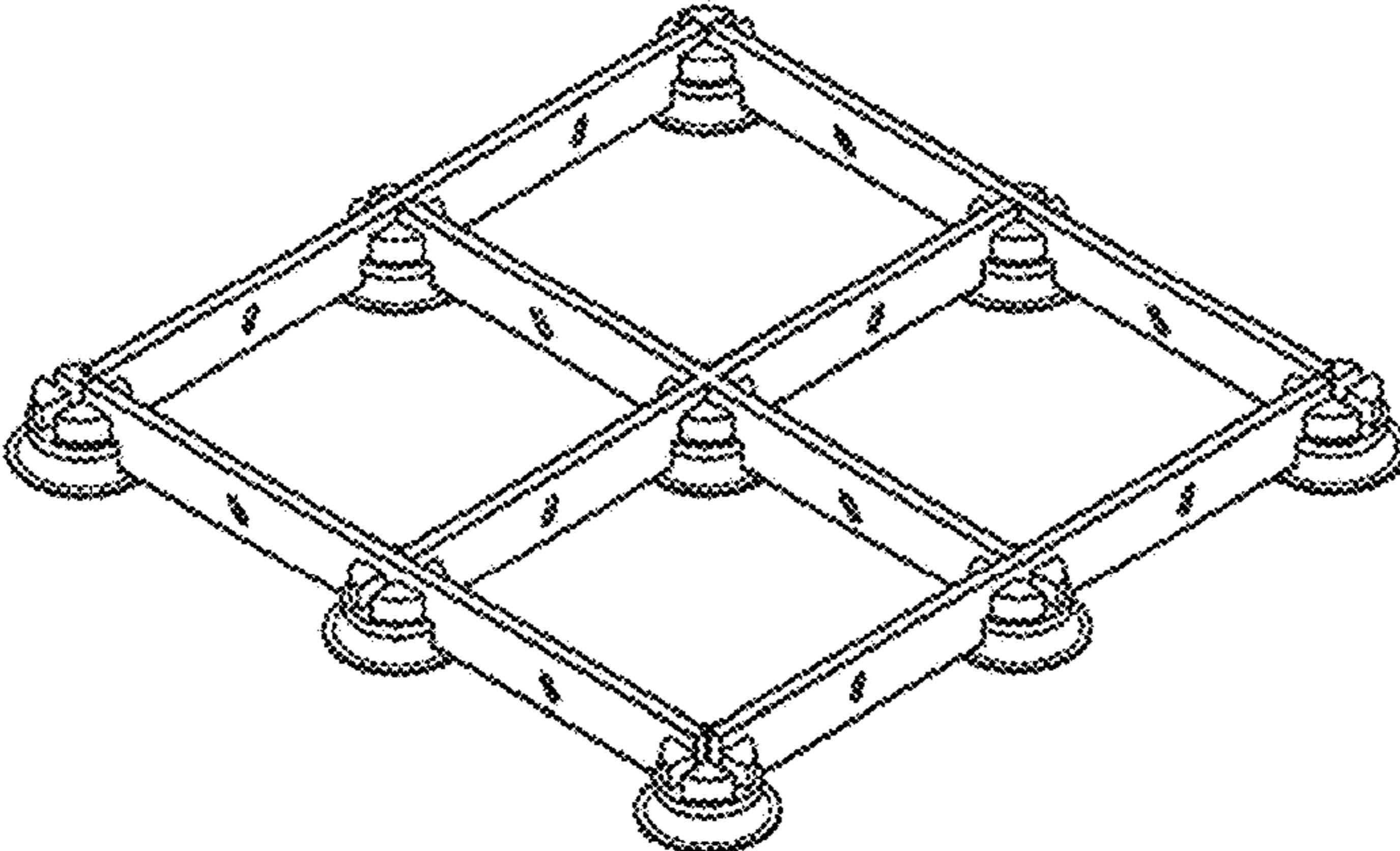


FIG. 1



FIG. 2

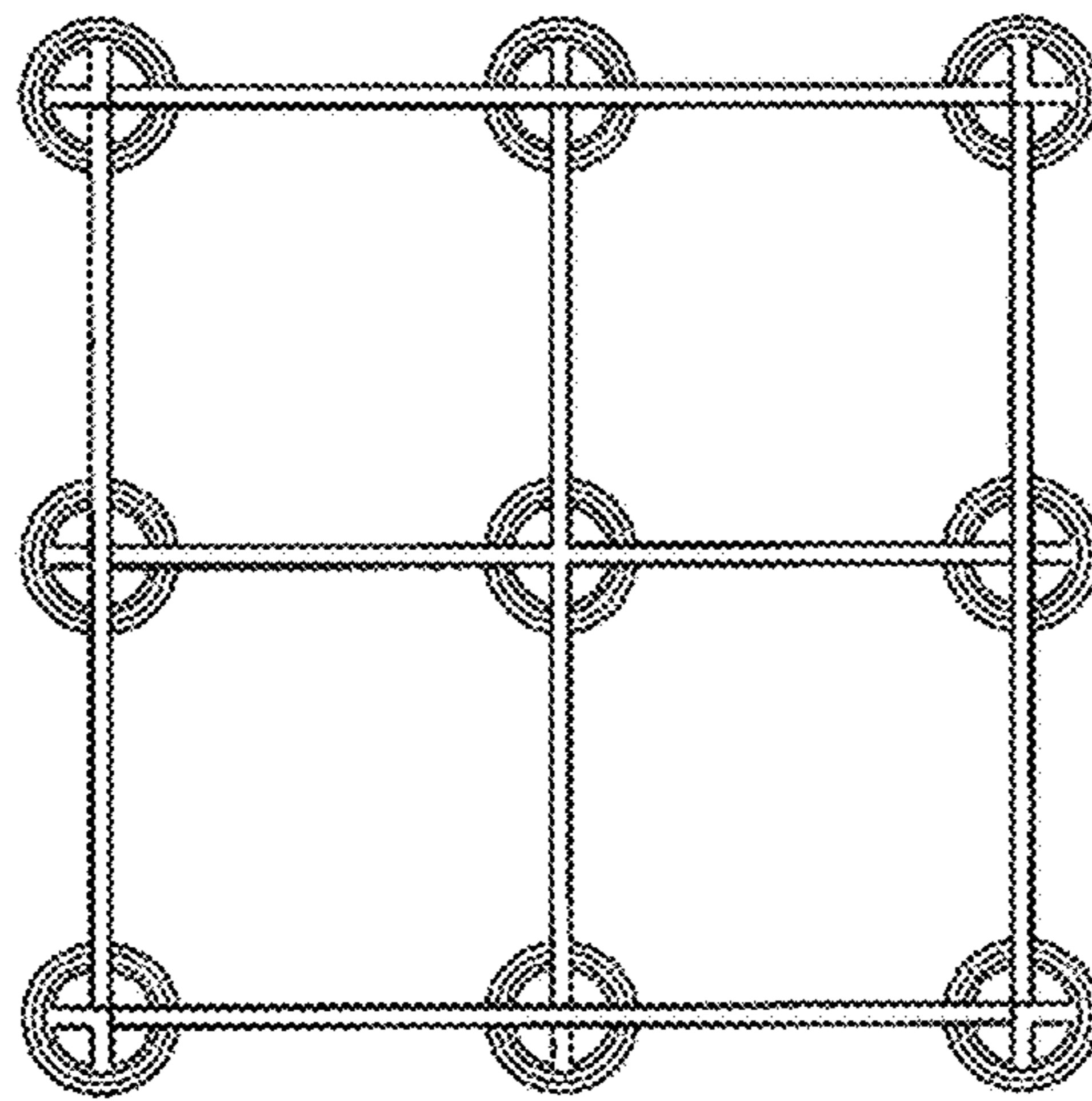


FIG. 3

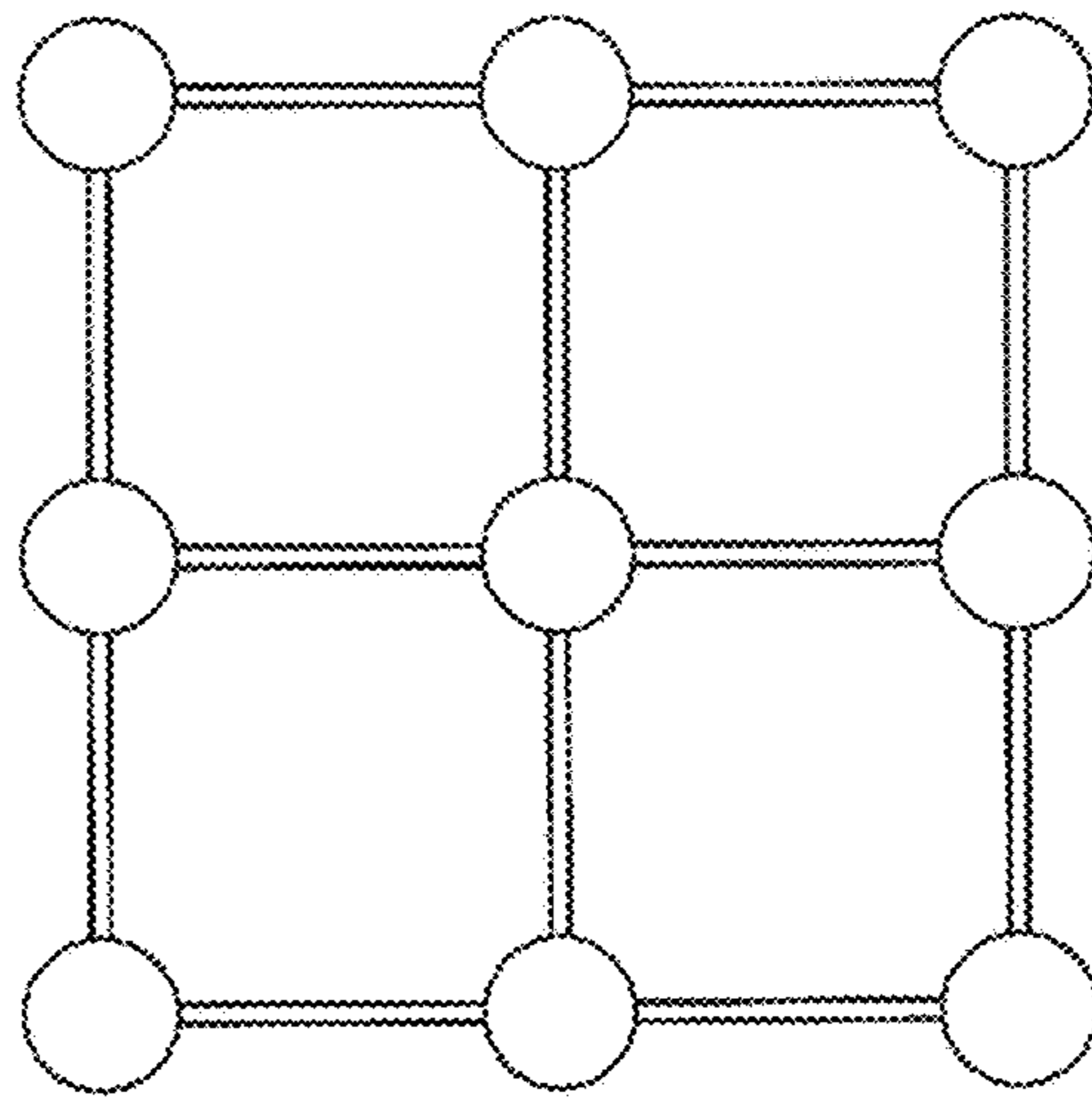


FIG. 4

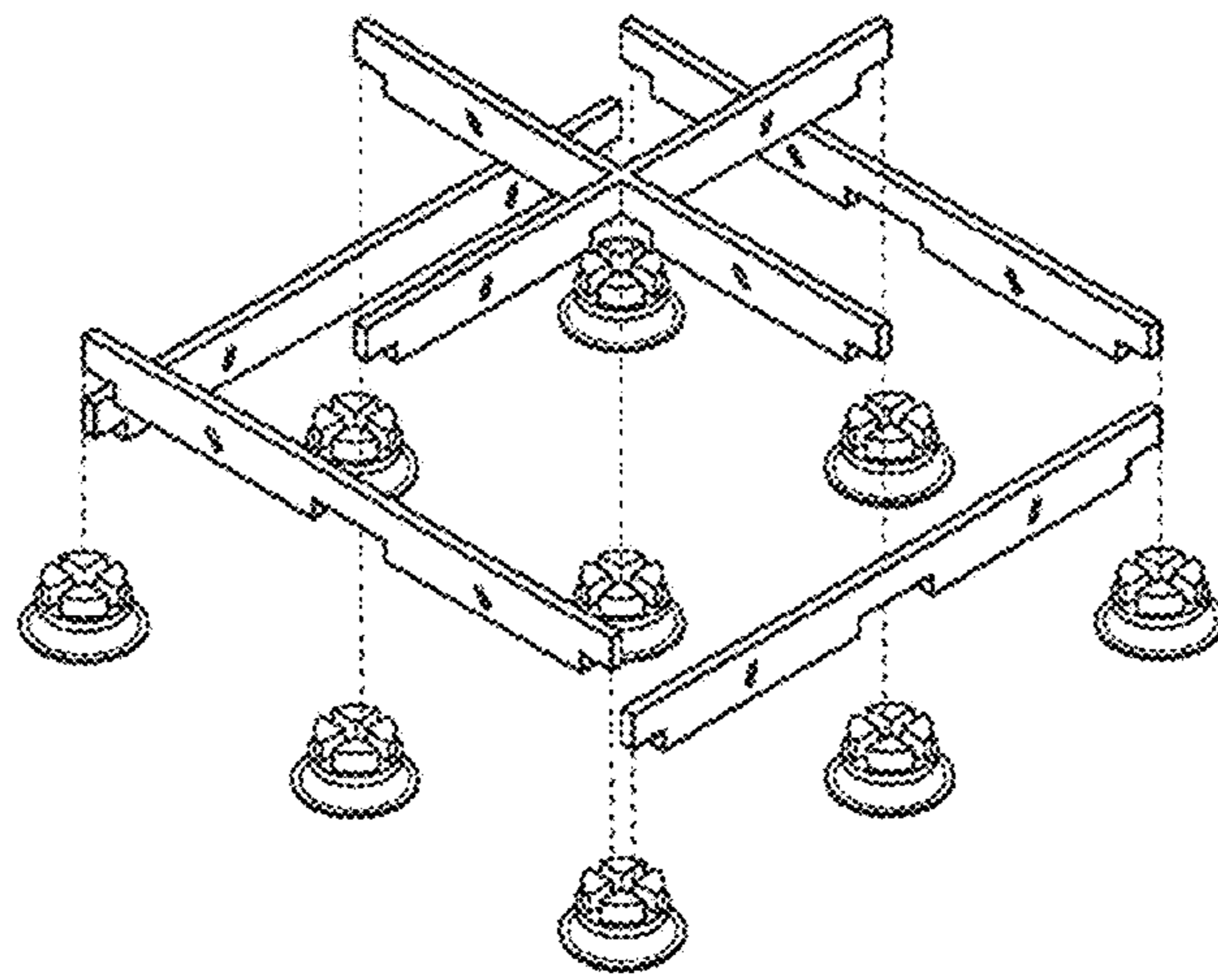


FIG. 5