



US00D857236S

(12) **United States Design Patent** (10) **Patent No.:** **US D857,236 S**  
**Bryant** (45) **Date of Patent:** **\*\* Aug. 20, 2019**

(54) **DOOR THRESHOLD RAIL**  
(71) Applicant: **MJB Wood Group, Inc.**, Irving, TX (US)  
(72) Inventor: **David C Bryant**, Richmond, IN (US)  
(73) Assignee: **MJB Wood Group, LLC**, Wilmington, DE (US)  
(\*\*) Term: **15 Years**

D504,731 S \* 5/2005 Stanchfield ..... D25/119  
8,490,332 B2 \* 7/2013 Van Camp ..... E06B 3/9632  
49/468  
8,739,469 B1 \* 6/2014 Fortun ..... E06B 1/70  
49/460  
D721,989 S \* 2/2015 Behrens ..... D12/49  
D733,927 S \* 7/2015 Van Camp ..... D25/48.2  
D749,238 S \* 2/2016 Reinthaler ..... D25/119  
D766,458 S \* 9/2016 Chapman ..... D25/48.2  
D812,772 S \* 3/2018 Chapman ..... D25/48.2  
D820,470 S \* 6/2018 Chapman ..... D25/48.2

(Continued)

(21) Appl. No.: **29/630,010**  
(22) Filed: **Dec. 18, 2017**  
(51) **LOC (12) Cl.** ..... **25-02**  
(52) **U.S. Cl.**  
USPC ..... **D25/48.2**  
(58) **Field of Classification Search**  
USPC ..... D25/48.1, 48.2, 48.3, 60, 61, 119-125,  
D25/164, 199  
CPC ..... E06B 1/00; E06B 1/02; E06B 1/04; E06B  
1/045; E06B 1/006; E06B 1/70; E06B  
1/12; E06B 1/34; E06B 1/342; E06B  
7/14; E06B 7/26; E04C 3/00; E04C 3/02;  
E04C 3/04; E04C 3/005; E04C 3/12;  
E04C 3/20; E04C 3/28; E04C 3/30; E04F  
19/02; E04F 19/022; E04F 19/026; E04F  
19/028; E04F 19/04; E04F 19/0436; E04F  
19/0481; E04F 19/0486; E04F 19/06;  
E04F 19/061  
See application file for complete search history.

**OTHER PUBLICATIONS**

<https://www.mjbwood.com/wp-content/uploads/2014/07/Brochure-PermaSelect.pdf> Jul. 2014 (Year: 2014).\*

(Continued)

*Primary Examiner* — Leanne Was-Englehart  
(74) *Attorney, Agent, or Firm* — Davidson Law Group, ALC; Payam Moradian

(57) **CLAIM**

I claim the ornamental design for a door threshold rail, as shown and described.

**DESCRIPTION**

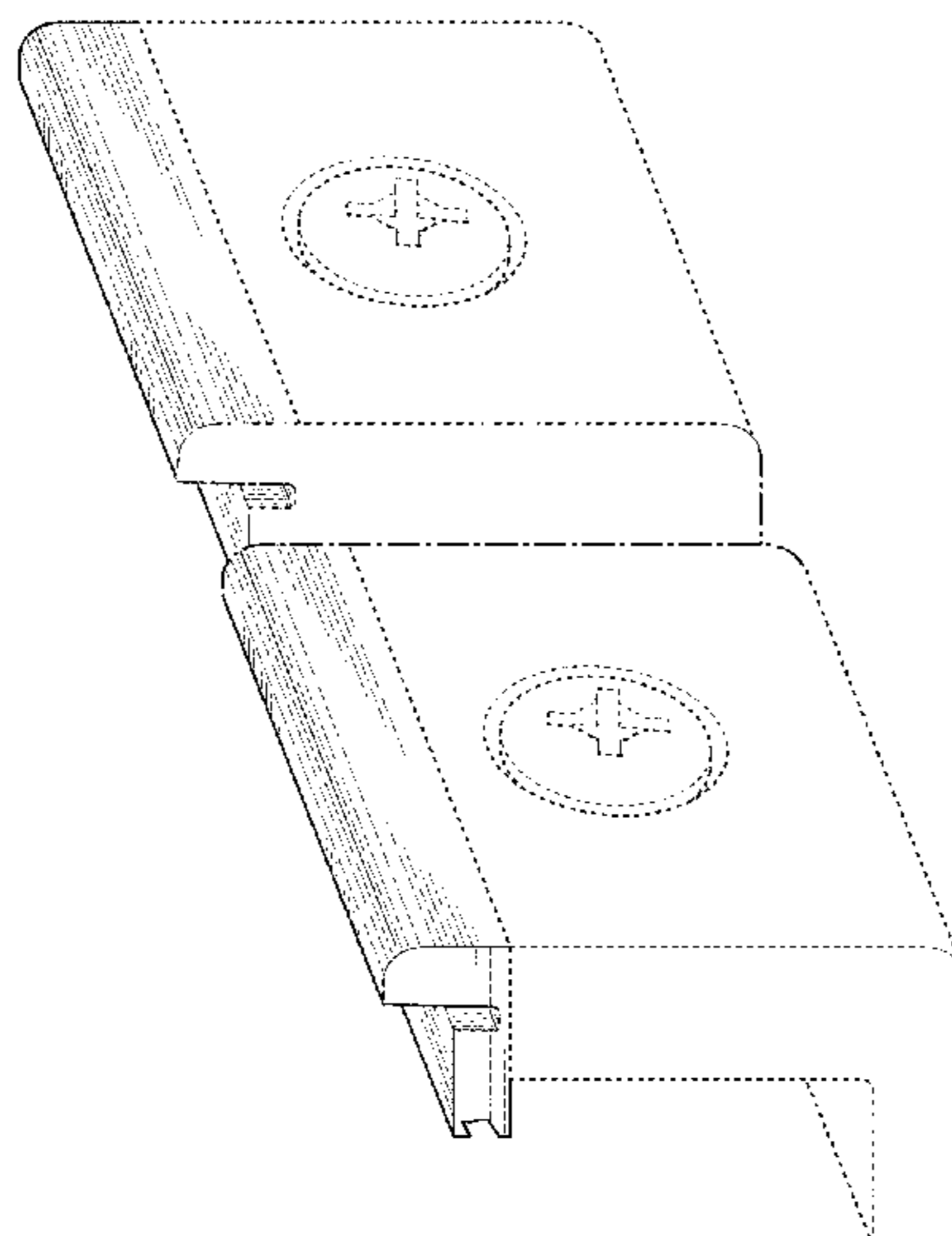
FIG. 1 is a perspective view of the door threshold rail, showing my new design;  
FIG. 2 is a right side view thereof;  
FIG. 3 is a left side view thereof;  
FIG. 4 is a front side view thereof;  
FIG. 5 is a back side view thereof;  
FIG. 6 is a top view thereof; and,  
FIG. 7 is a bottom view thereof.  
The evenly spaced broken lines depict portions, of the door threshold rail that form no part of the claimed design.  
The dot-dash broken lines depict a symbolic break. The portion between the break lines forms no part of the claimed design.

**1 Claim, 4 Drawing Sheets**

(56) **References Cited**

**U.S. PATENT DOCUMENTS**

D274,559 S \* 7/1984 Rosner ..... D25/119  
5,136,814 A 8/1992 Headrick  
5,230,181 A 7/1993 Geoffrey et al.  
D354,572 S \* 1/1995 Headrick ..... D25/48.2  
5,426,894 A 6/1995 Headrick  
6,345,477 B1 2/2002 Kepler et al.  
D504,730 S \* 5/2005 Kornfalt ..... D25/119



(56)

**References Cited**

U.S. PATENT DOCUMENTS

2007/0205609 A1\* 9/2007 Meeks ..... E05C 1/04  
292/137  
2008/0229668 A1\* 9/2008 Meeks ..... E05C 1/02  
49/367  
2012/0180397 A1\* 7/2012 Van Camp ..... E06B 1/70  
49/467  
2016/0215555 A1\* 7/2016 Meeks ..... E06B 1/70

OTHER PUBLICATIONS

<http://www.allaboutdoors.com/Products/Door-Thresholds-Sills> Aug. 31, 2017 (Year: 2017).\*

Patent Citations for U.S. Pat. No. 6,345,477, accessed Dec. 17, 2017.

Imperial-Products-5H-Sell-Sheet-web, accessed Dec. 18, 2017.

Imperial-Products-12pg-thresholds-brochure-web, accessed Dec. 18, 2017.

\* cited by examiner

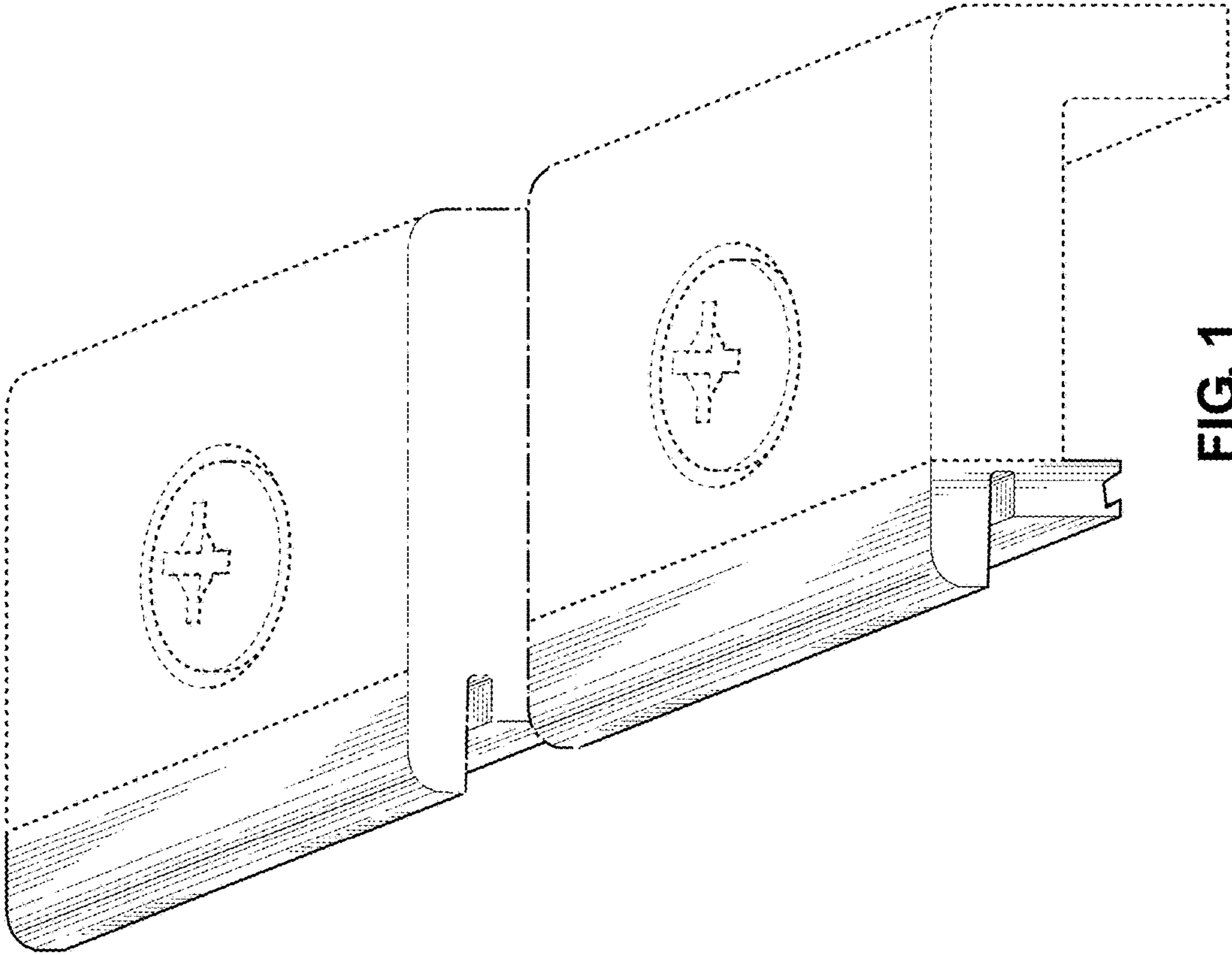


FIG. 1

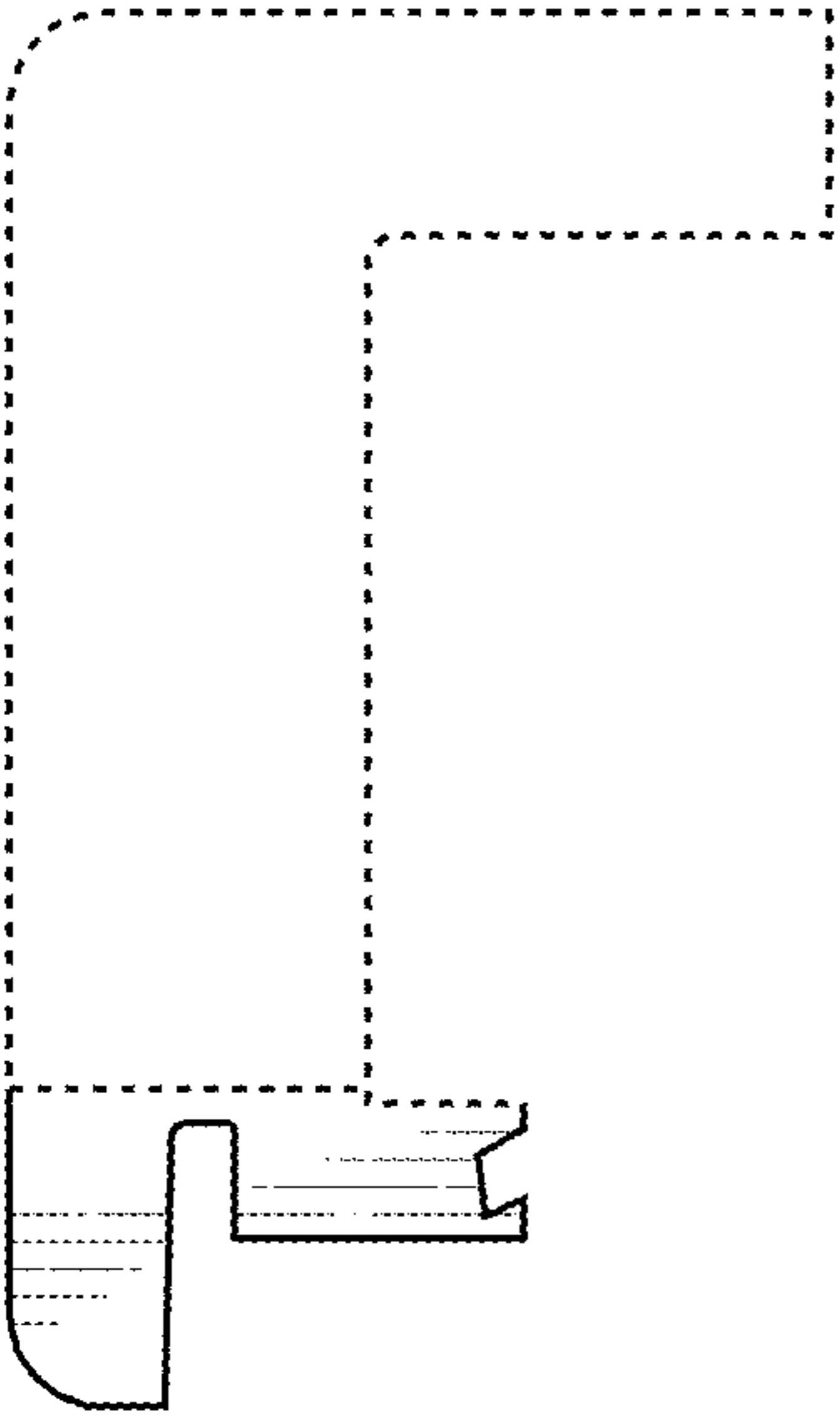


FIG. 2

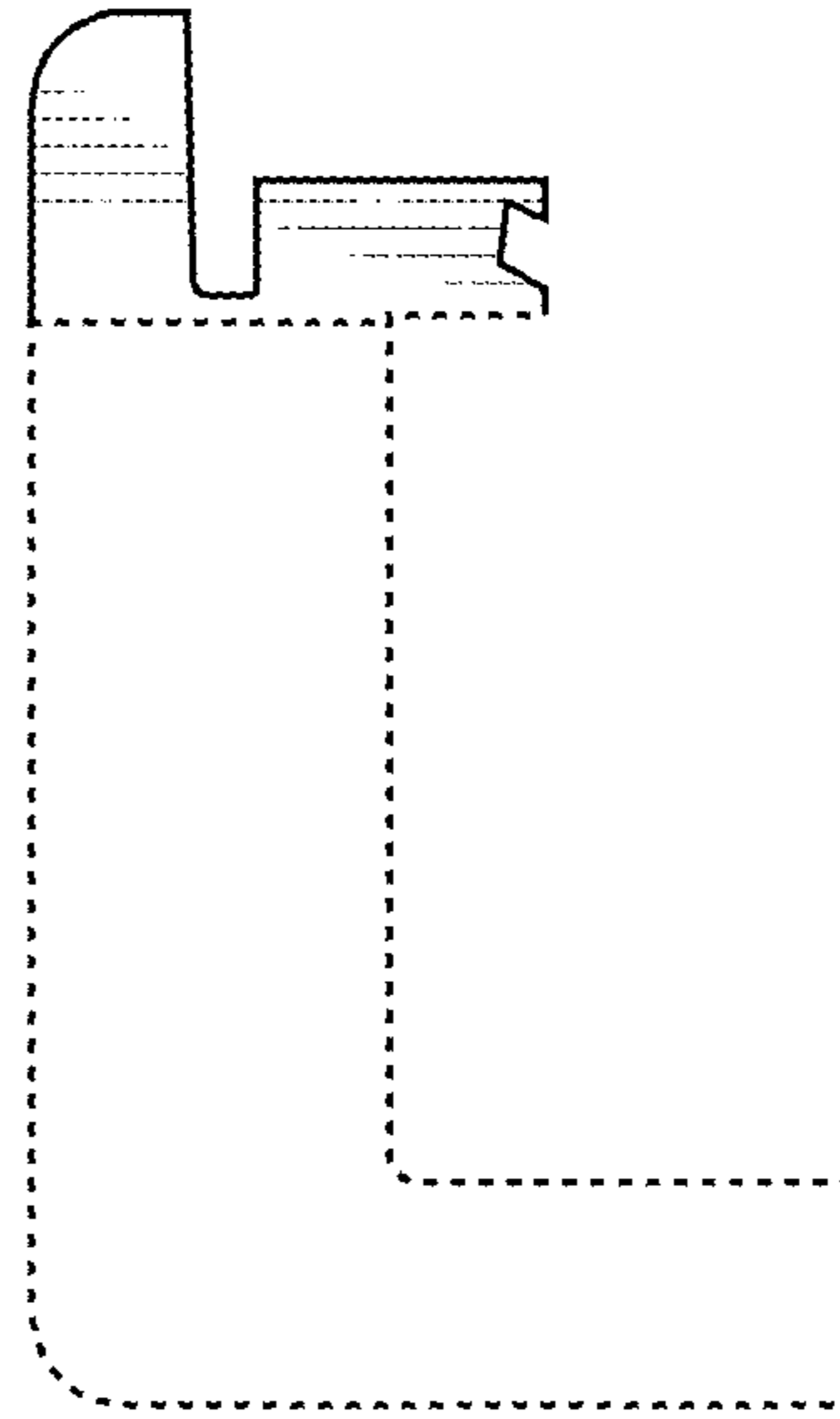


FIG. 3

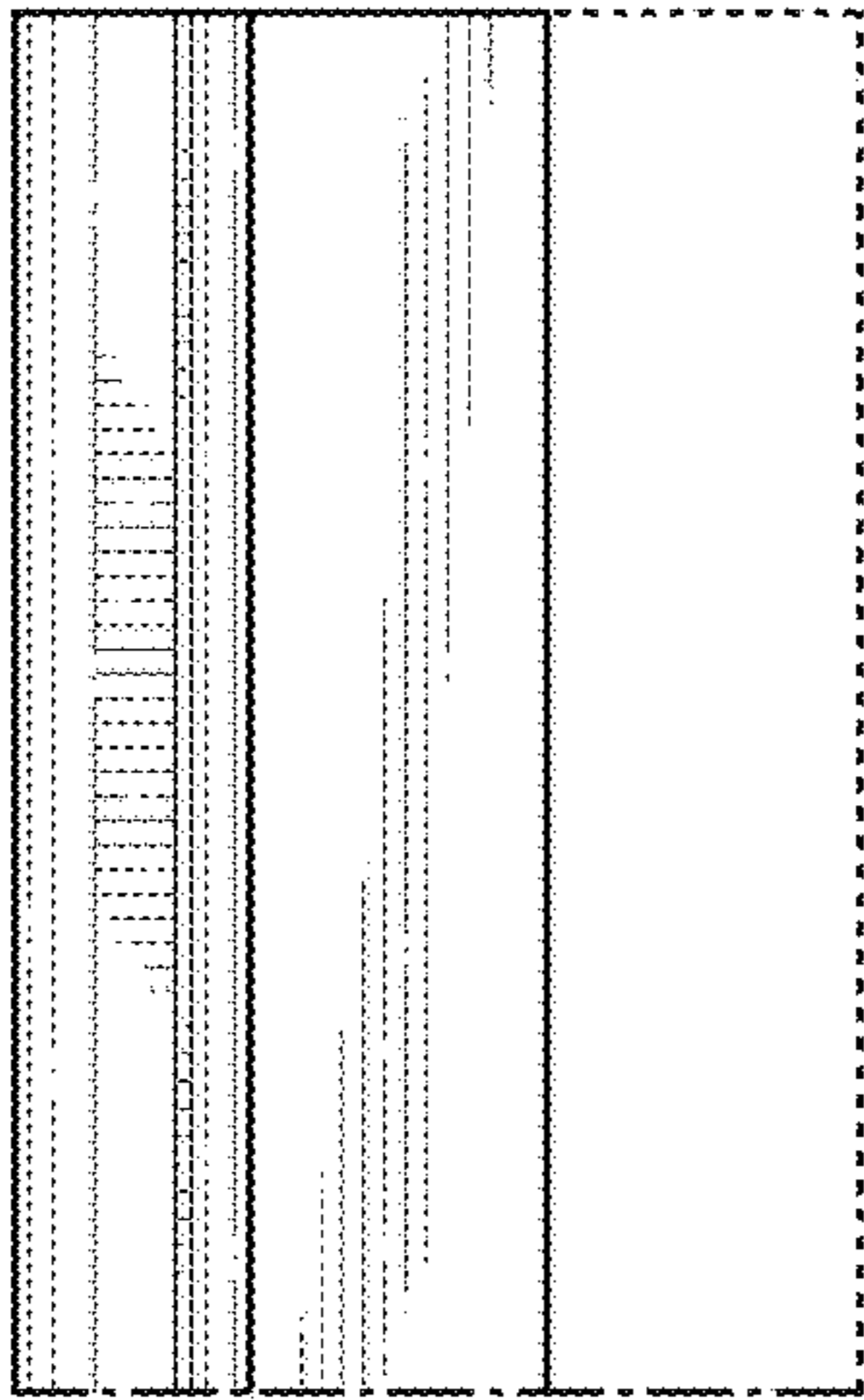


FIG. 4

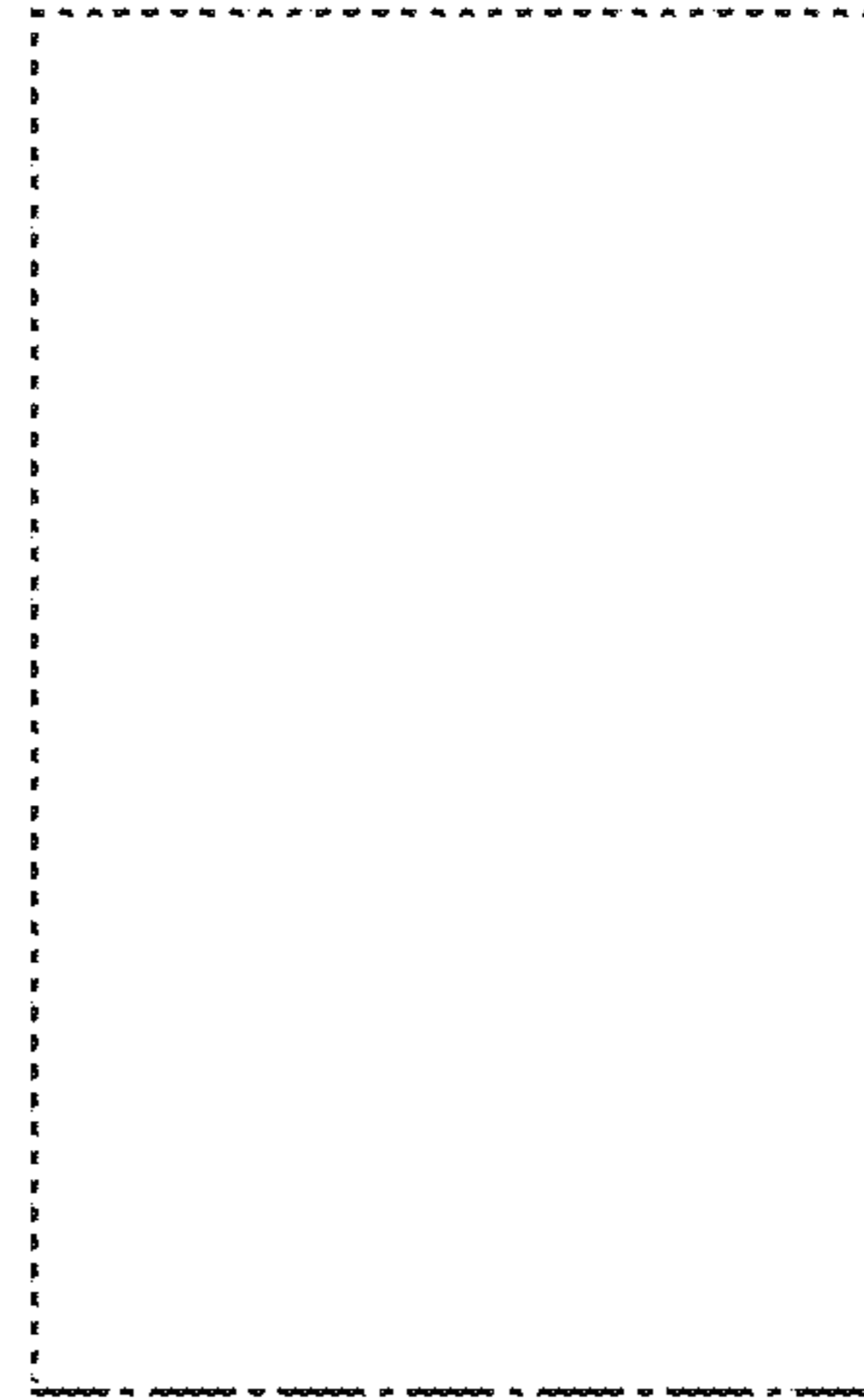
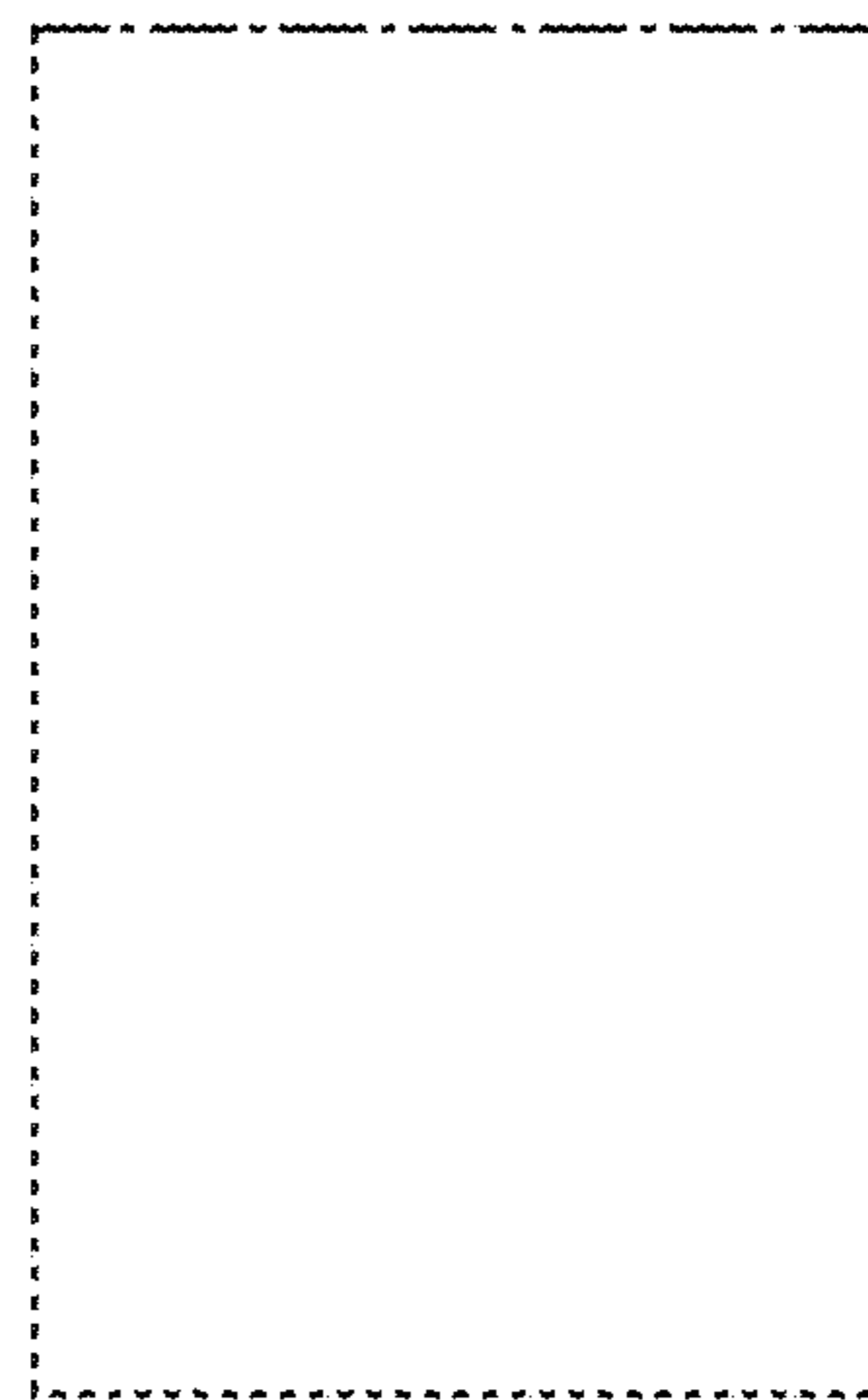
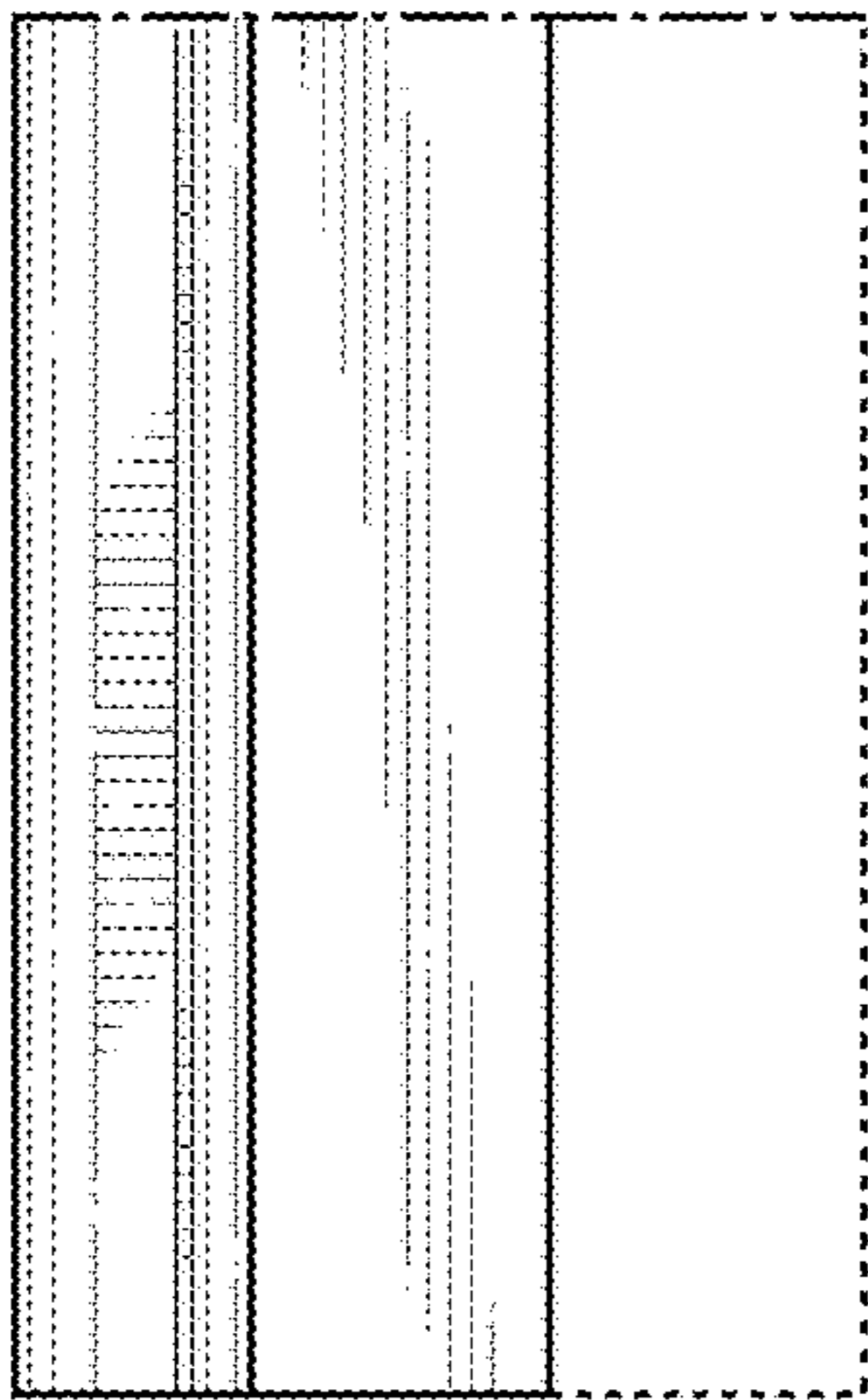


FIG. 5



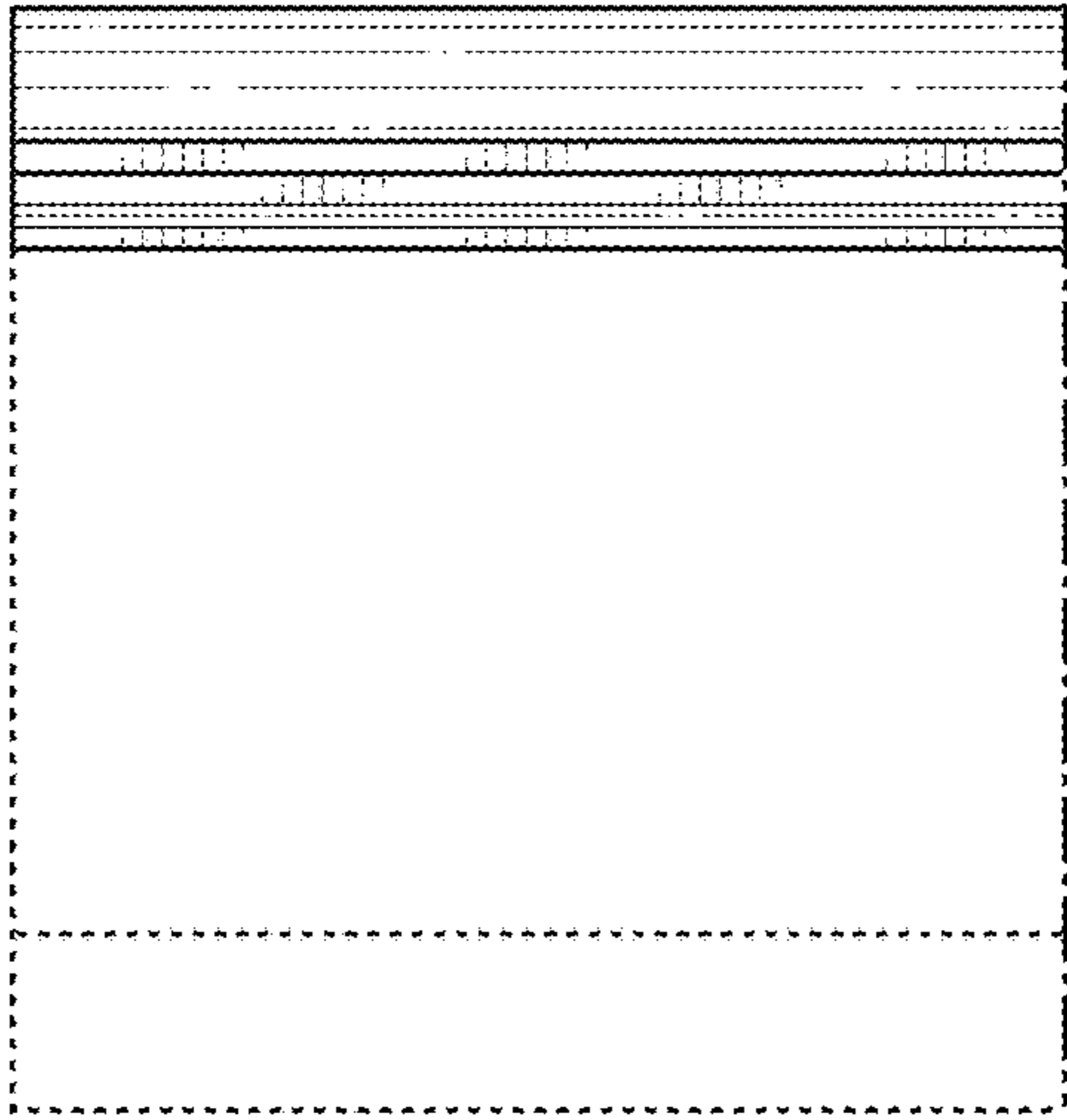


FIG. 7

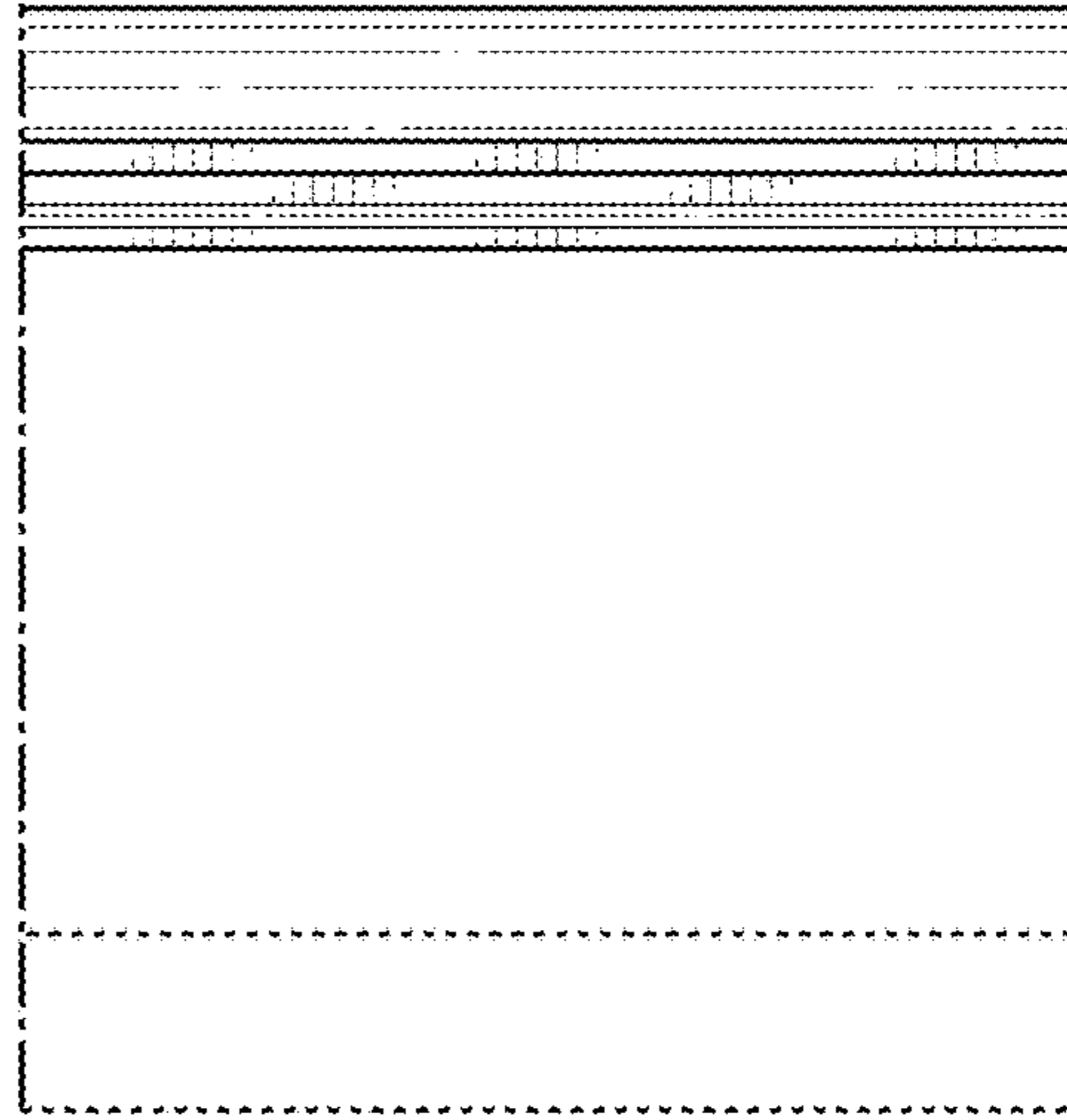


FIG. 6

