



US00D857235S

(12) **United States Design Patent** (10) **Patent No.:** **US D857,235 S**
Tsukii (45) **Date of Patent:** **** Aug. 20, 2019**

(54) **FRONT GATE WITH FENCE**
(71) Applicant: **Toshikazu Tsukii**, Oro Valley, AZ (US)
(72) Inventor: **Toshikazu Tsukii**, Oro Valley, AZ (US)
(**) Term: **15 Years**
(21) Appl. No.: **29/658,753**

D738,531 S * 9/2015 Prunte D25/39
D809,993 S * 2/2018 Tsukii D12/343
2007/0044413 A1* 3/2007 Gossett, III A47G 29/12
52/596

(22) Filed: **Aug. 2, 2018**
(51) **LOC (12) Cl.** **25-01**
(52) **U.S. Cl.**
USPC **D25/39**; D25/40
(58) **Field of Classification Search**
USPC D12/343, 345; D21/447, 448, 453;
D25/38.1, 39, 40, 48.5
CPC E04H 17/00; E04H 17/14; E04H 17/16;
E06B 11/00; E06B 11/02; E06B 11/023;
E06B 11/026; E06B 2009/002
See application file for complete search history.

FOREIGN PATENT DOCUMENTS

EM 002208280-0001 * 3/2013
KR 300490973 * 5/2008
SI 9850123-0001 * 2/1999

* cited by examiner

Primary Examiner — Leanne Was-Englehart
(74) *Attorney, Agent, or Firm* — Eugene Vamos

(57) **CLAIM**

The ornamental design for a front gate with fence, as shown and described.

DESCRIPTION

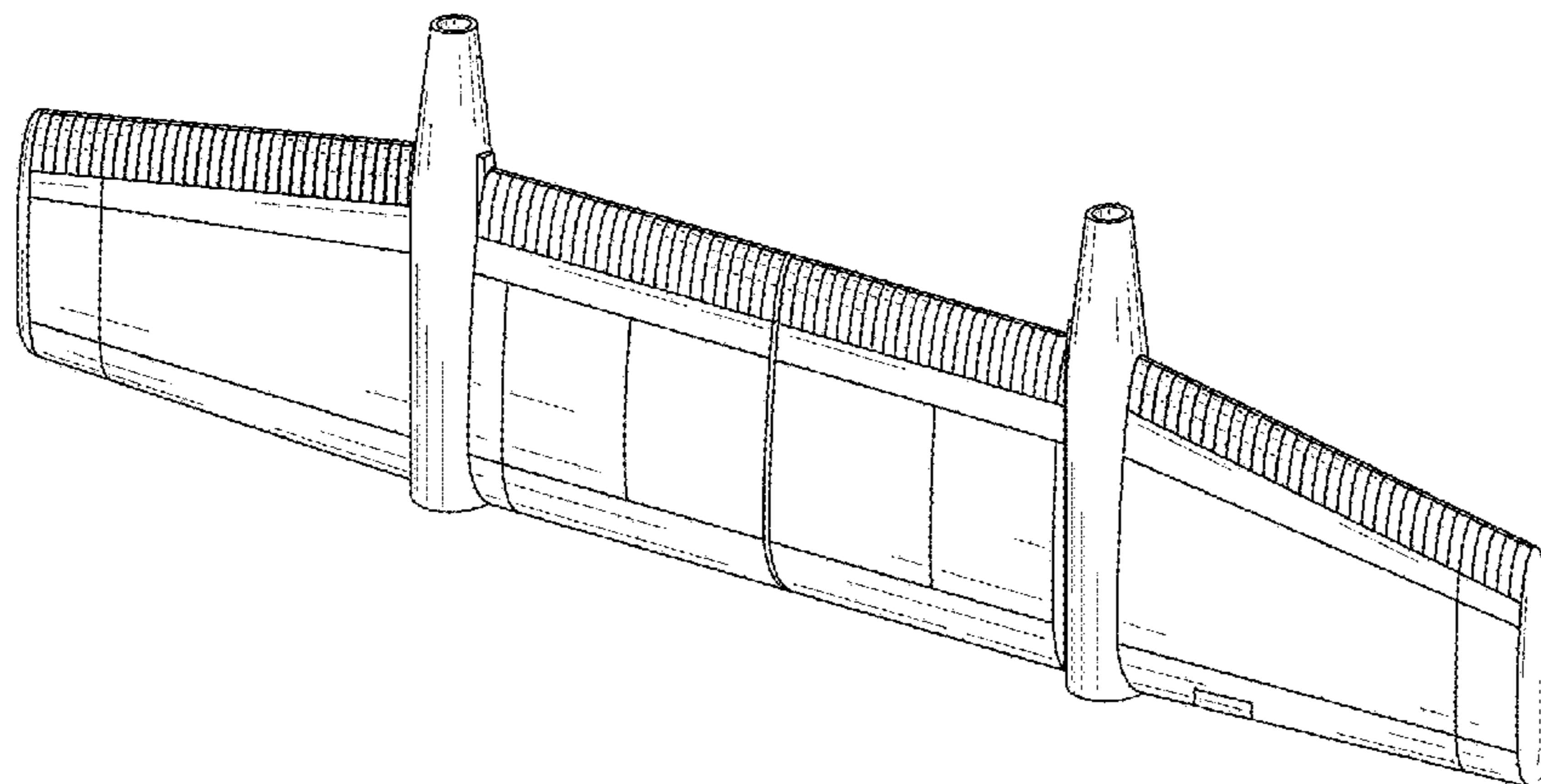
FIG. 1 is a perspective view of a front gate with fence in a closed gate position, showing my new design;
FIG. 2 is a front elevation view thereof;
FIG. 3 is a back elevation view thereof;
FIG. 4 is a right side elevation view thereof, the left side elevation view being a mirror image thereof;
FIG. 5 is a top plan view thereof;
FIG. 6 is a perspective view of the front gate with fence in an open gate position;
FIG. 7 is a front elevation view thereof;
FIG. 8 is a back elevation view thereof;
FIG. 9 is a right side elevation view thereof, the left side elevation view being a mirror image thereof; and,
FIG. 10 is a top plan view thereof.
The broken lines depict portions of the article that form no part of the claimed design.

(56) **References Cited**

U.S. PATENT DOCUMENTS

82,733 A * 10/1868 Maxson E04H 17/16
256/19
182,734 A * 9/1876 Young E04H 17/16
256/19
513,137 A * 1/1894 Phelps E04F 11/181
256/21
854,479 A * 5/1907 Forster E04H 17/16
256/19
D89,254 S * 2/1933 Burge D25/39
D543,636 S * 5/2007 Hesselmann D25/38.1
D543,639 S * 5/2007 Mertins D25/38.1
D674,734 S * 1/2013 Fujino D12/345

1 Claim, 6 Drawing Sheets



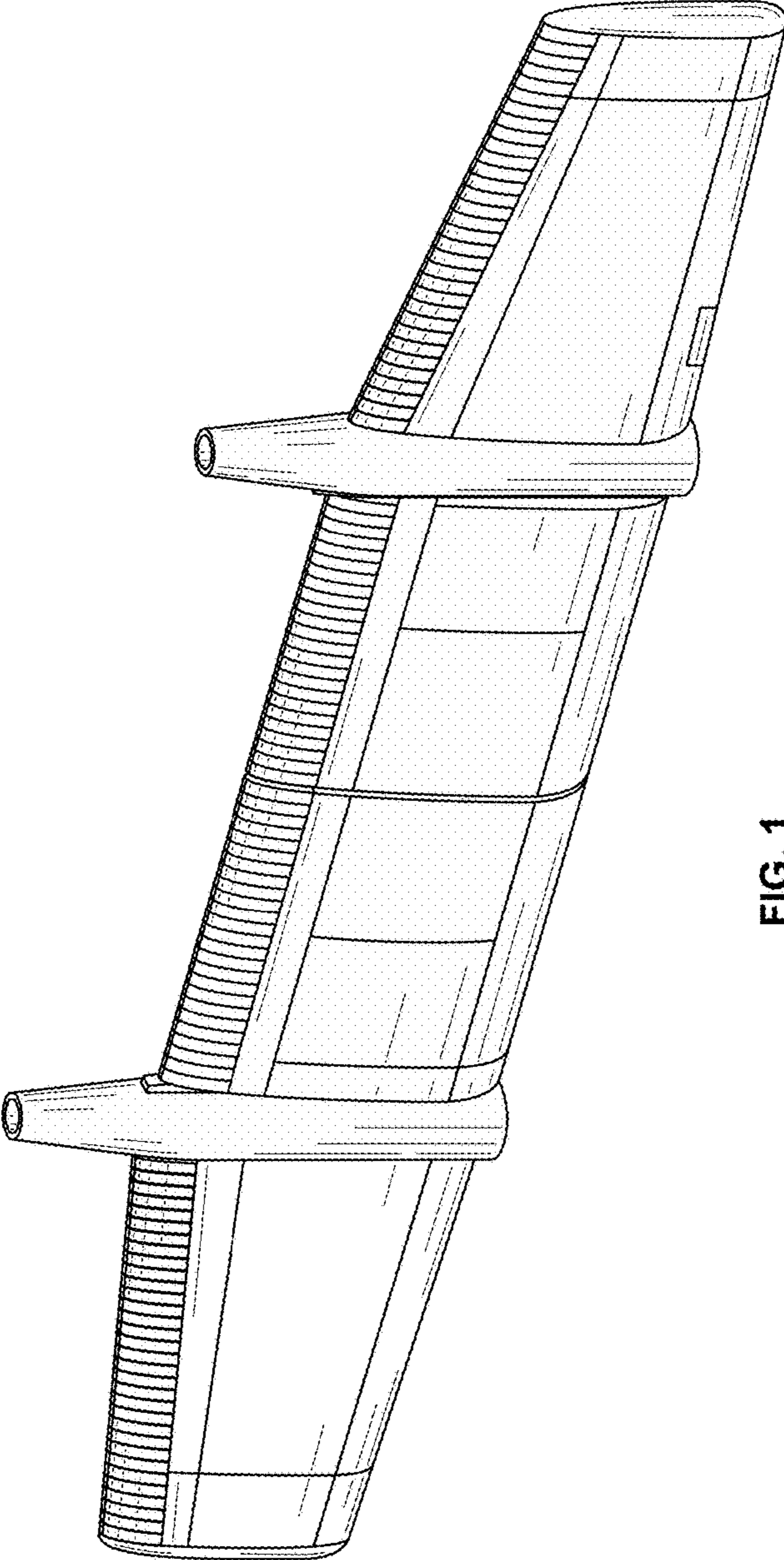


FIG. 1

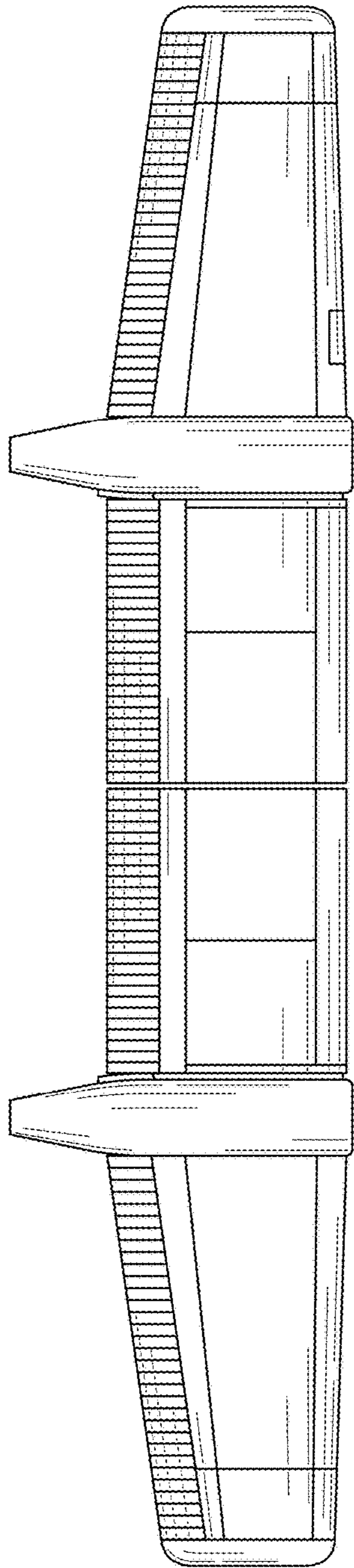


FIG. 2

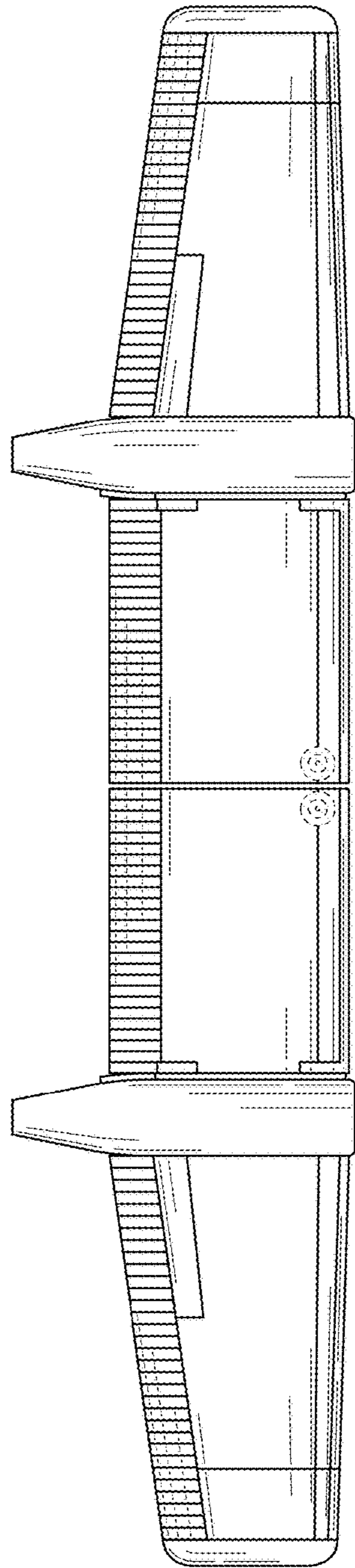


FIG. 3

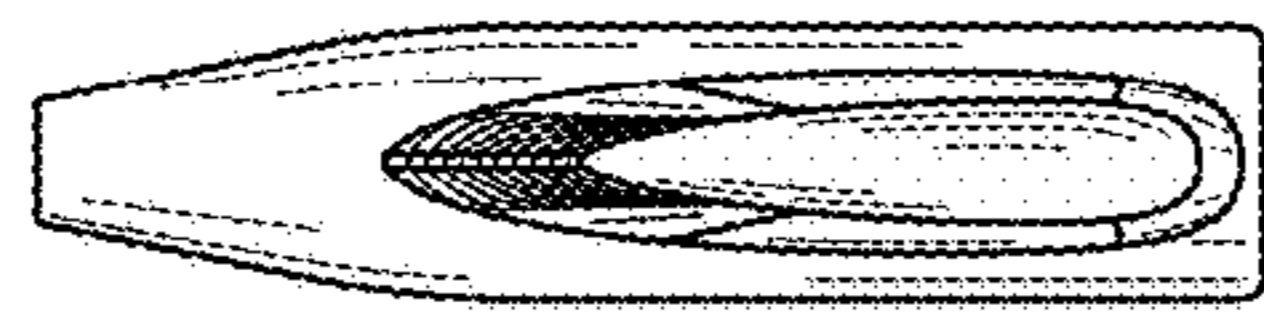


FIG. 4

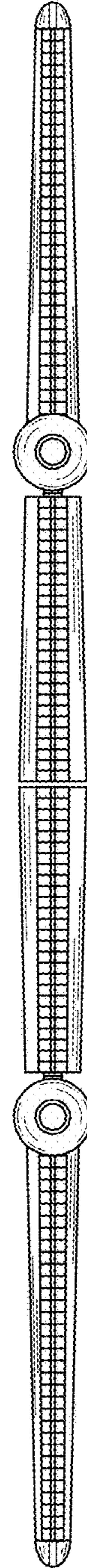
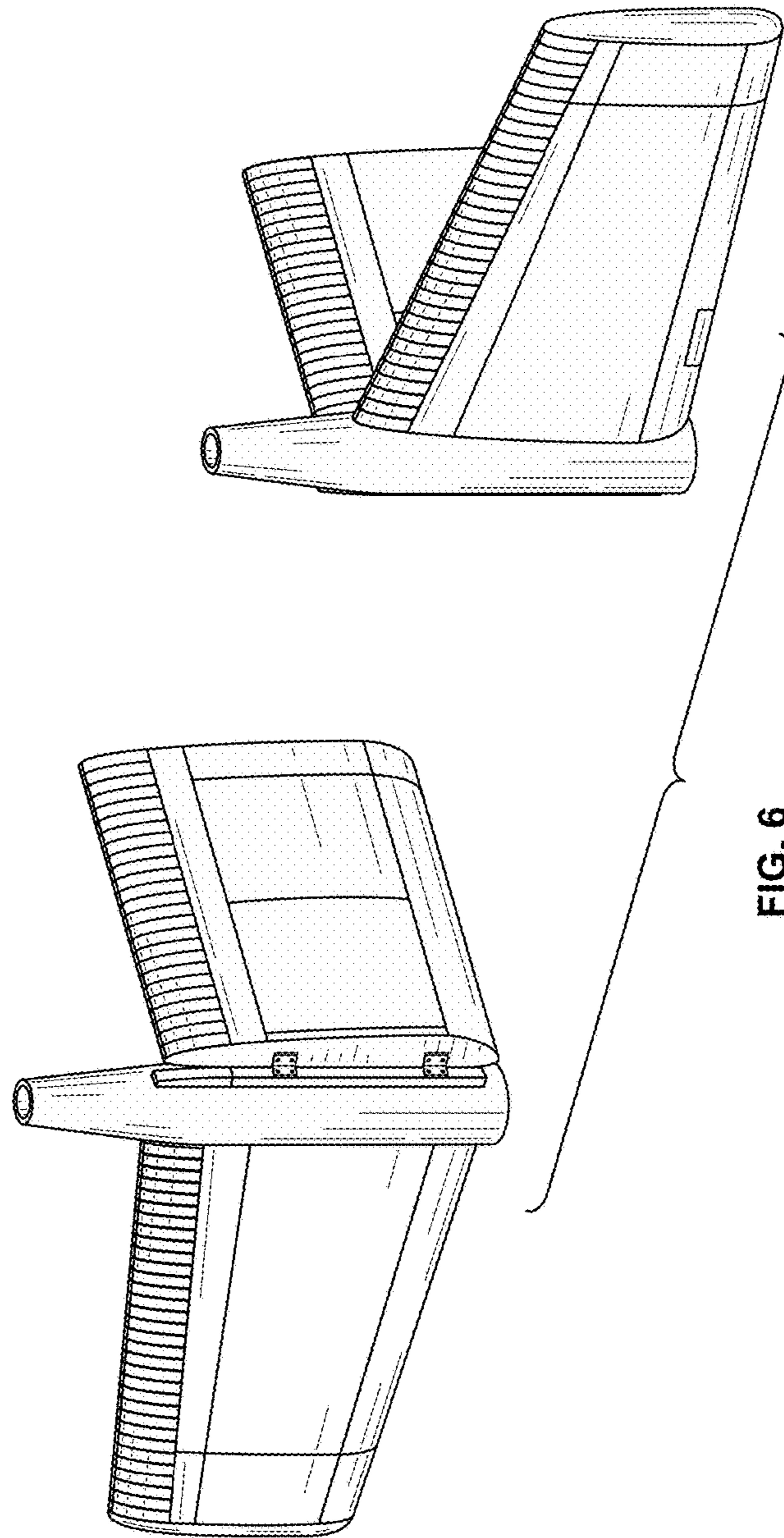


FIG. 5



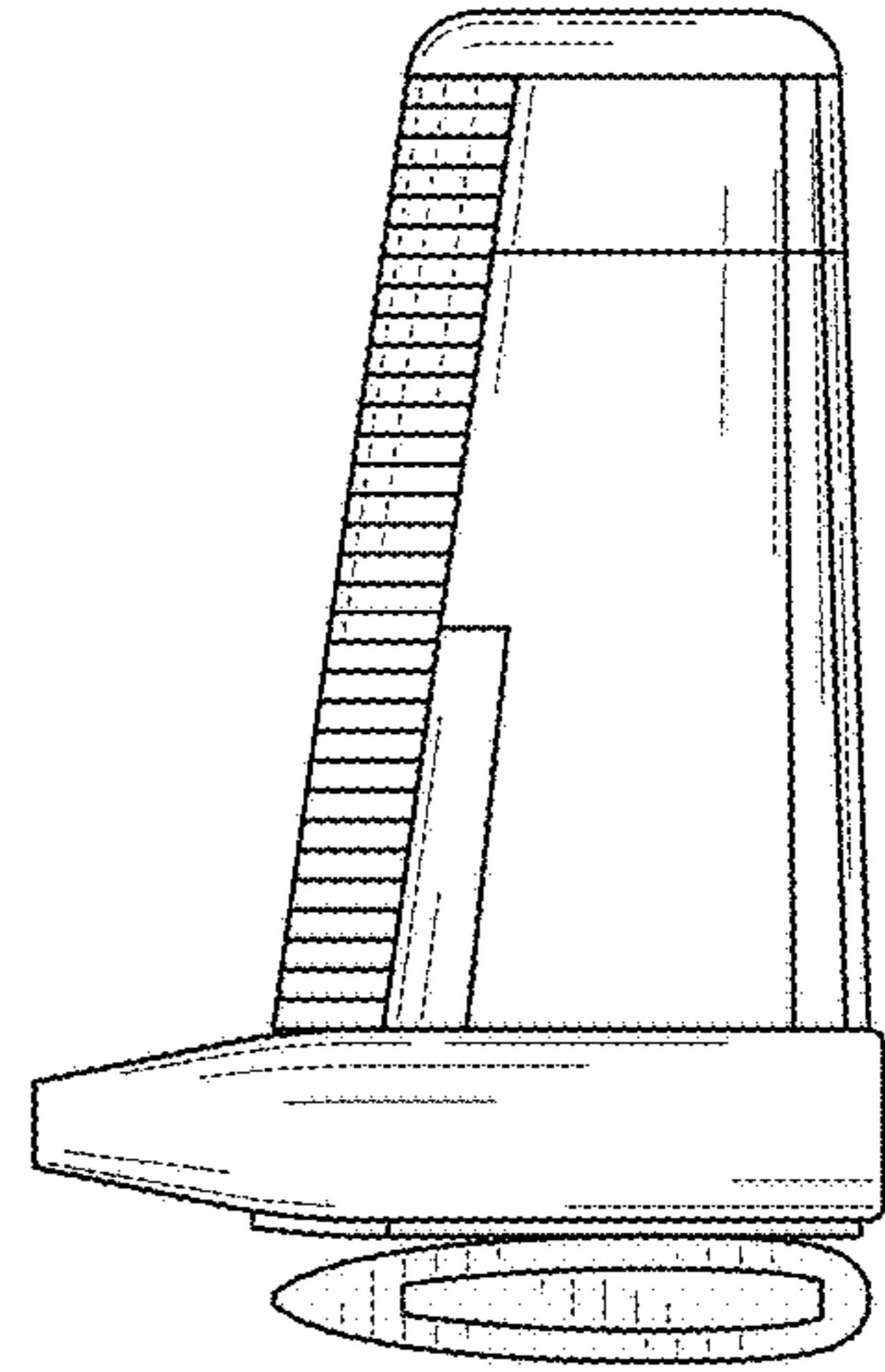
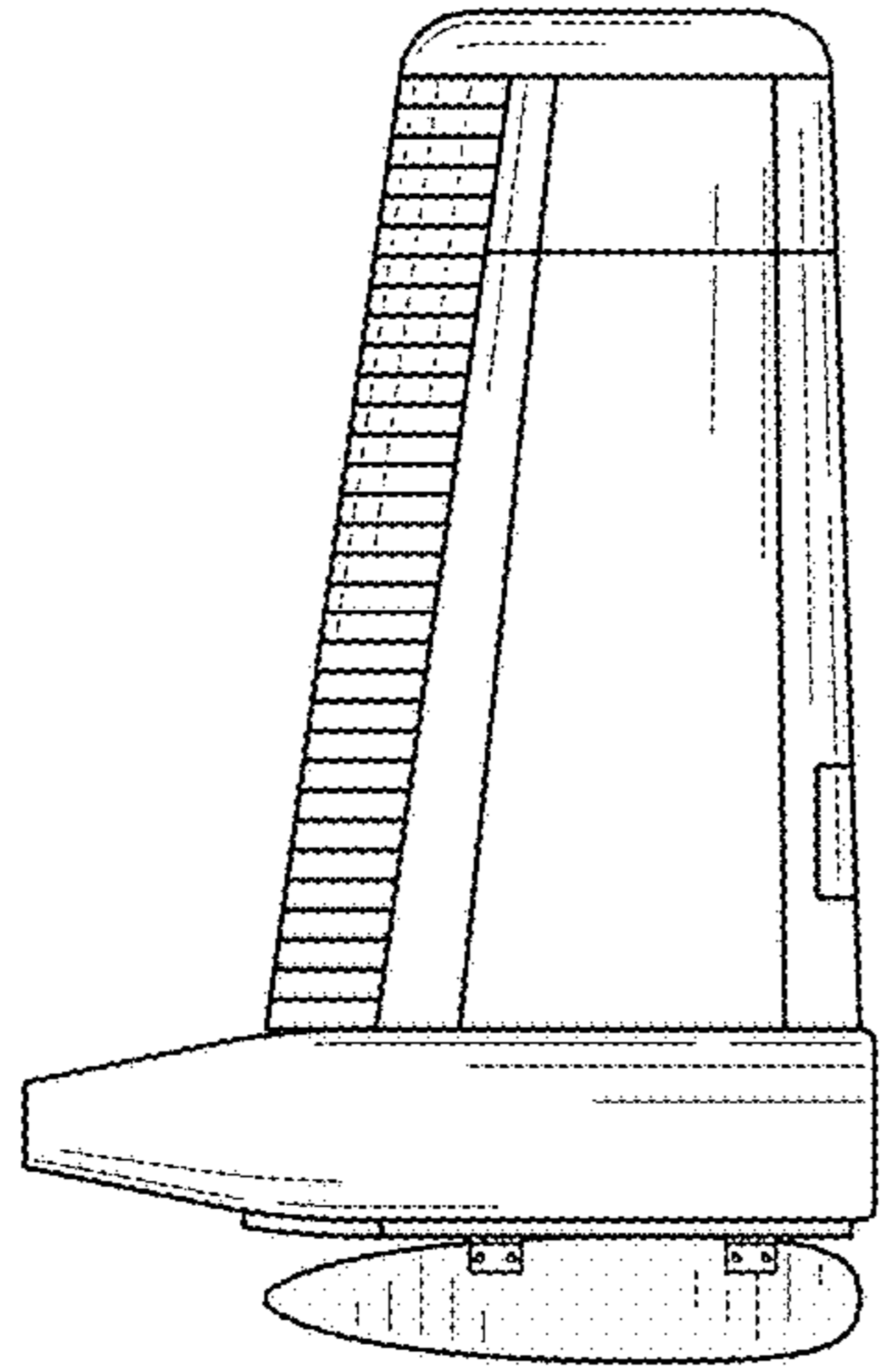
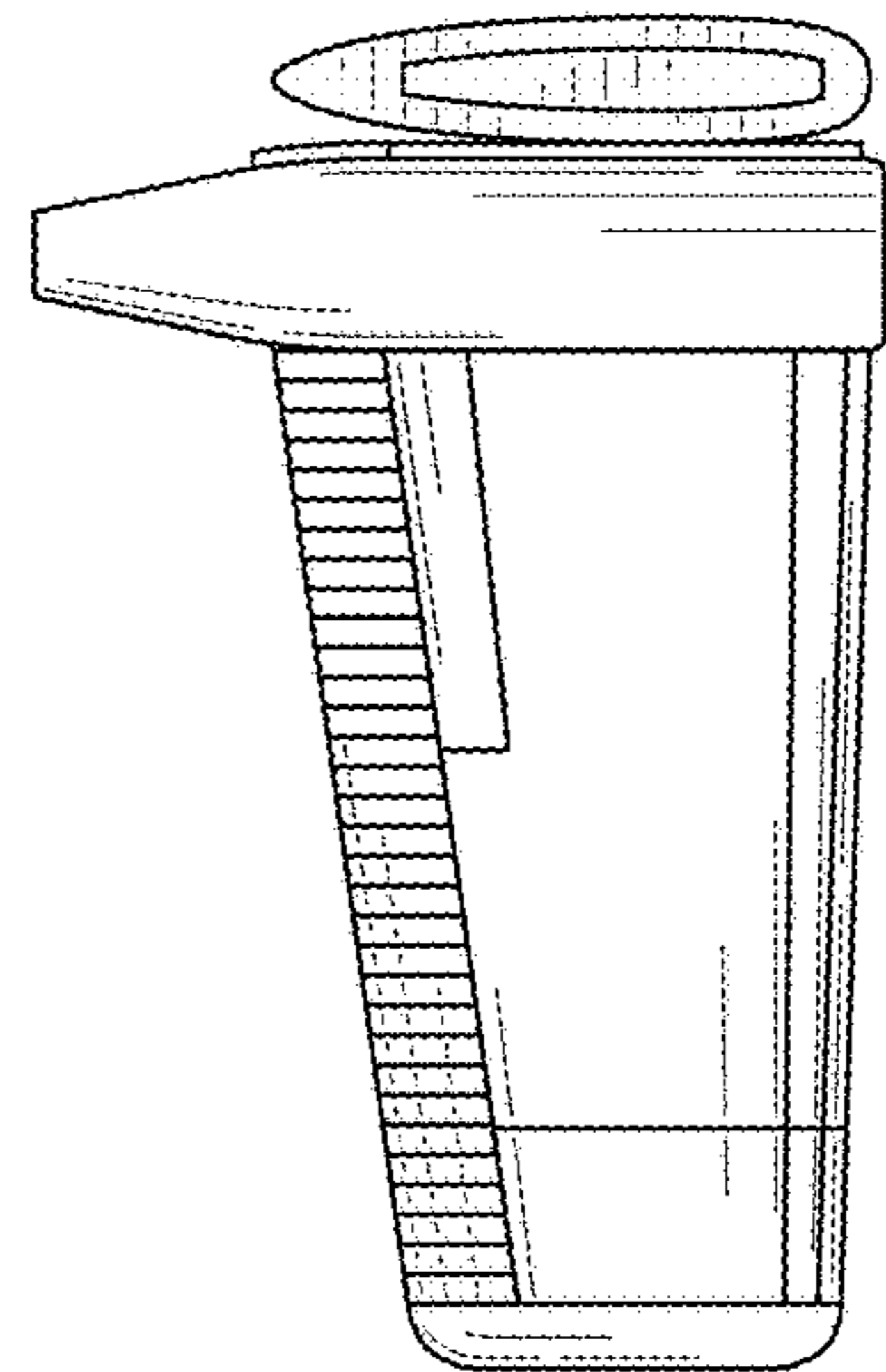
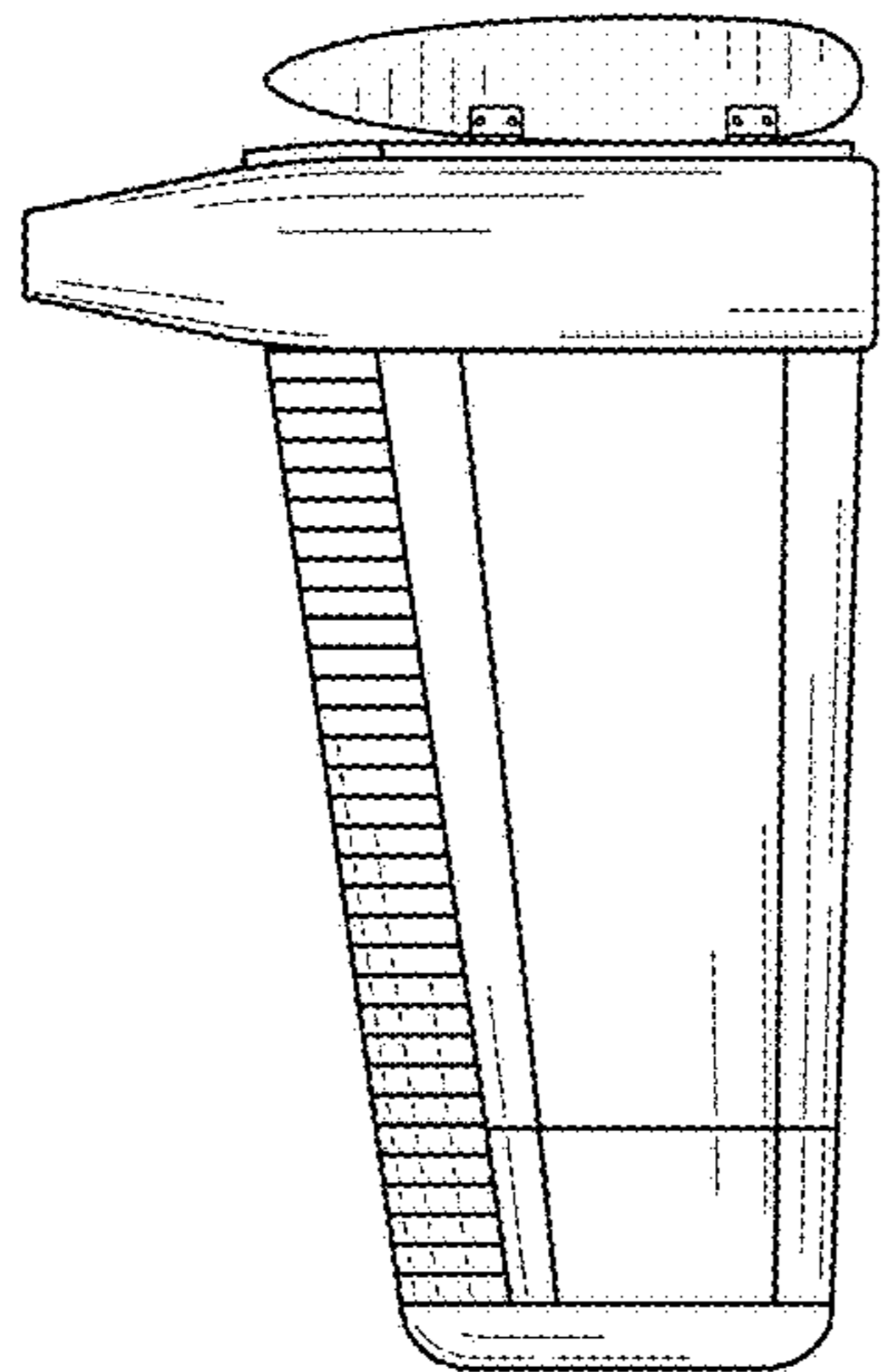


FIG. 7

FIG. 8



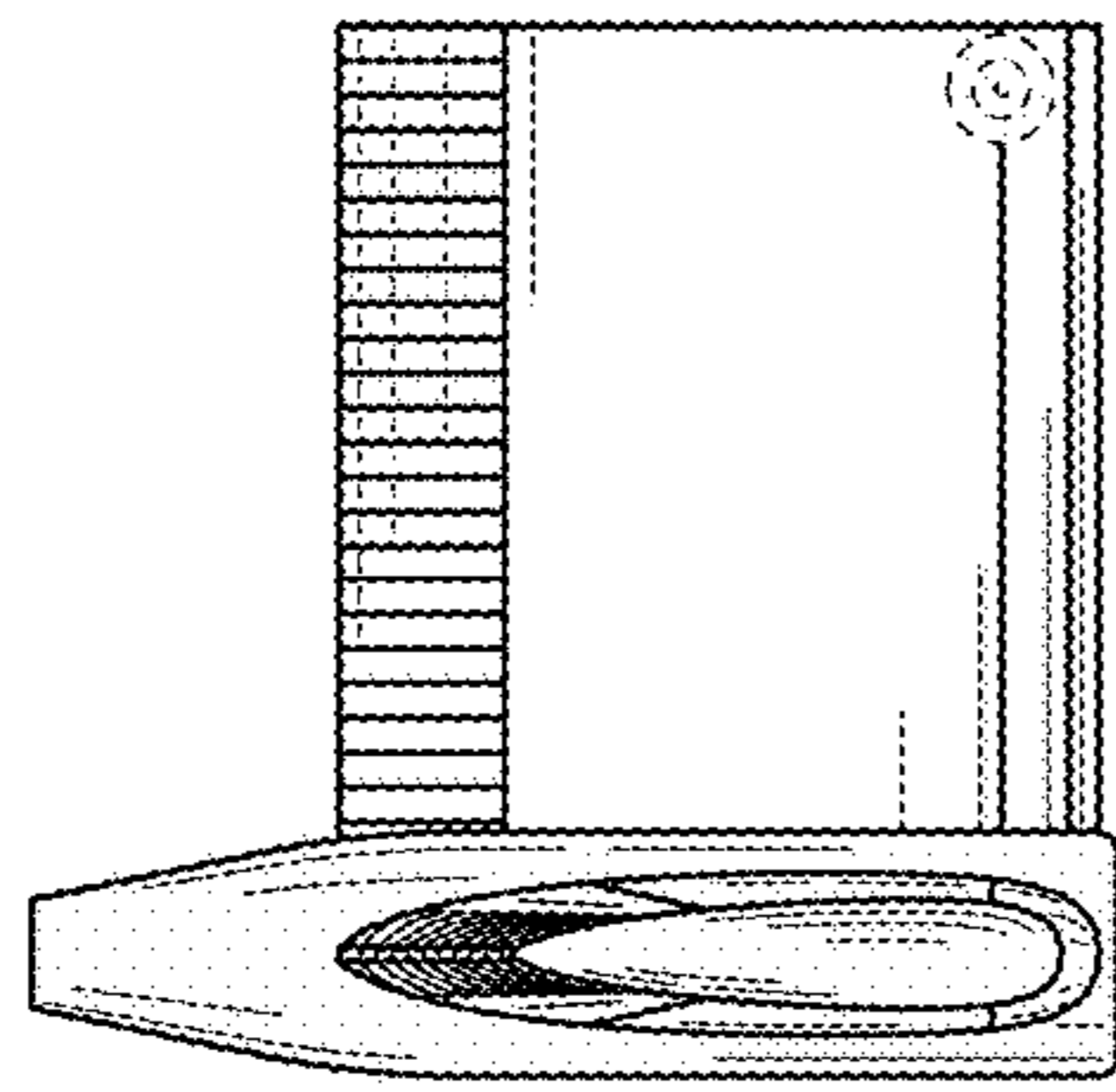


FIG. 9



FIG. 10