



US00D857231S

(12) **United States Design Patent**  
**Guzman et al.**

(10) **Patent No.:** **US D857,231 S**

(45) **Date of Patent:** **\*\* Aug. 20, 2019**

(54) **ANALYTE  
CONCENTRATOR-MICROREACTOR  
DEVICE**

(71) Applicants: **Norberto Guzman**, Princeton, NJ (US);  
**Daniel E. Guzman**, East Brunswick,  
NJ (US)

(72) Inventors: **Norberto Guzman**, Princeton, NJ (US);  
**Daniel E. Guzman**, East Brunswick,  
NJ (US)

(73) Assignee: **PRINCETON BIOCHEMICALS,  
INC.**, Princeton, NJ (US)

(\*\*) Term: **15 Years**

(21) Appl. No.: **29/559,616**

(22) Filed: **Mar. 30, 2016**

(51) **LOC (12) Cl.** ..... **24-01**

(52) **U.S. Cl.**  
USPC ..... **D24/232**

(58) **Field of Classification Search**  
USPC ..... D24/216, 223, 224, 231, 232, 233, 169,  
D24/186, 164; D10/81  
CPC ..... G01N 27/00; G01N 27/447; G01N 33/53;  
G01N 1/40; B01L 3/00  
See application file for complete search history.

(56) **References Cited**

**U.S. PATENT DOCUMENTS**

D264,504 S \* 5/1982 Weber ..... D24/232  
9,696,299 B2 \* 7/2017 Guzman ..... G01N 33/5302

2012/0103816 A1\* 5/2012 Guzman ..... G01N 27/44743  
204/602  
2012/0285832 A1\* 11/2012 Guzman ..... G01N 27/44743  
204/603  
2015/0093304 A1\* 4/2015 Guzman ..... G01N 27/44743  
422/527

\* cited by examiner

*Primary Examiner* — Anhdao Doan

(74) *Attorney, Agent, or Firm* — Porzio Bromberg &  
Newman P.C.

(57) **CLAIM**

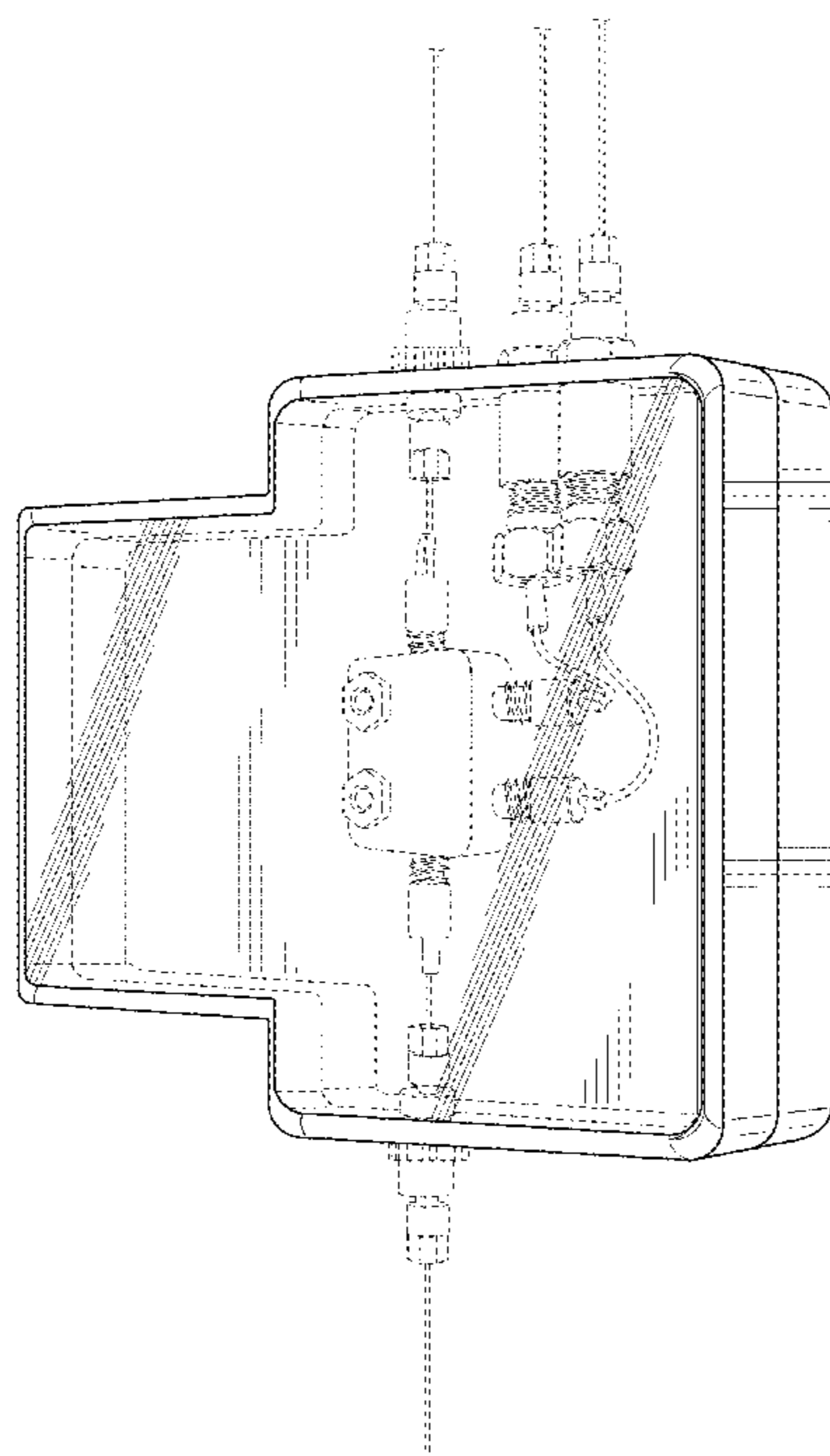
We claim, the ornamental design for an analyte concentra-  
tor-microreactor device, as shown and described.

**DESCRIPTION**

FIG. 1 is a top perspective view of an analyte concentra-  
tor-microreactor device showing our new design;  
FIG. 2 is a front and bottom perspective view thereof; and,  
FIG. 3 is a front and top perspective view thereof with a lid  
attached.

The broken lines illustrate portions of the analyte concen-  
trator-microreactor device form no part of the claimed  
design.

**1 Claim, 3 Drawing Sheets**



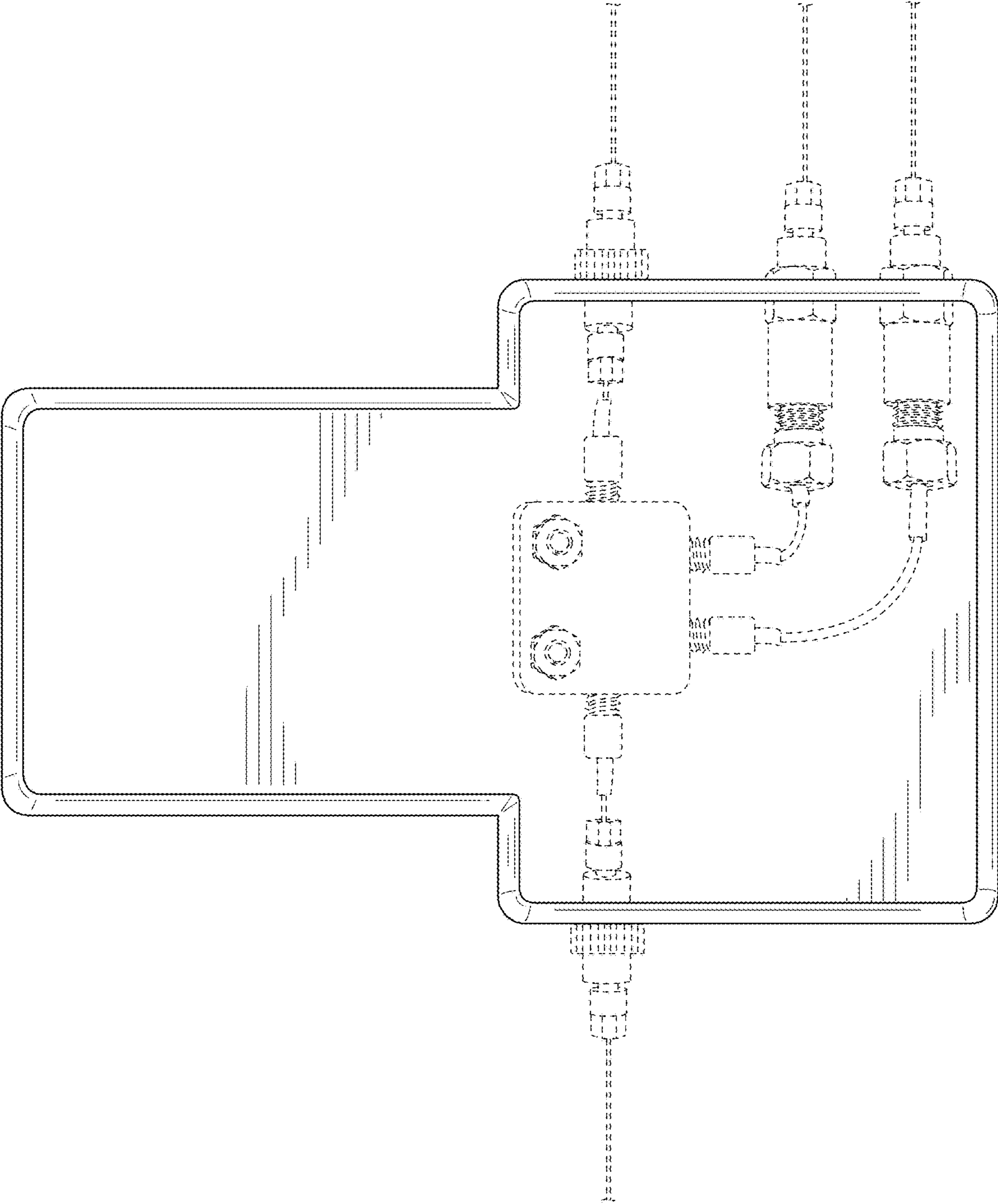


FIG. 1

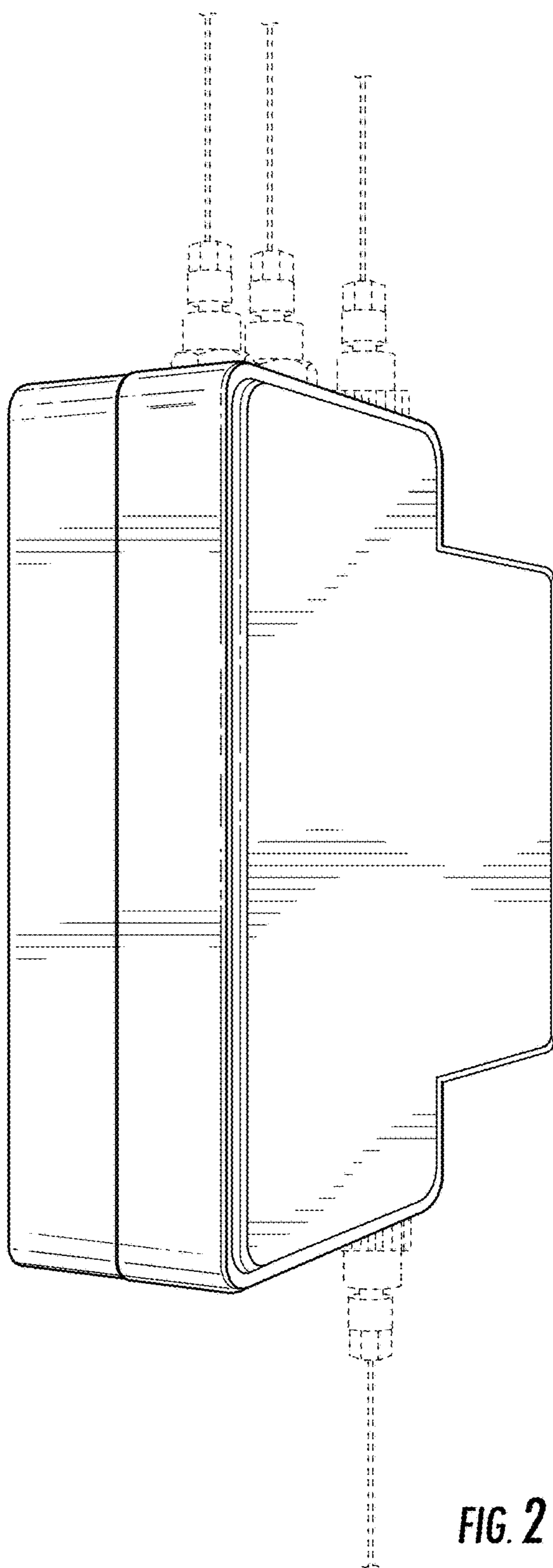


FIG. 2

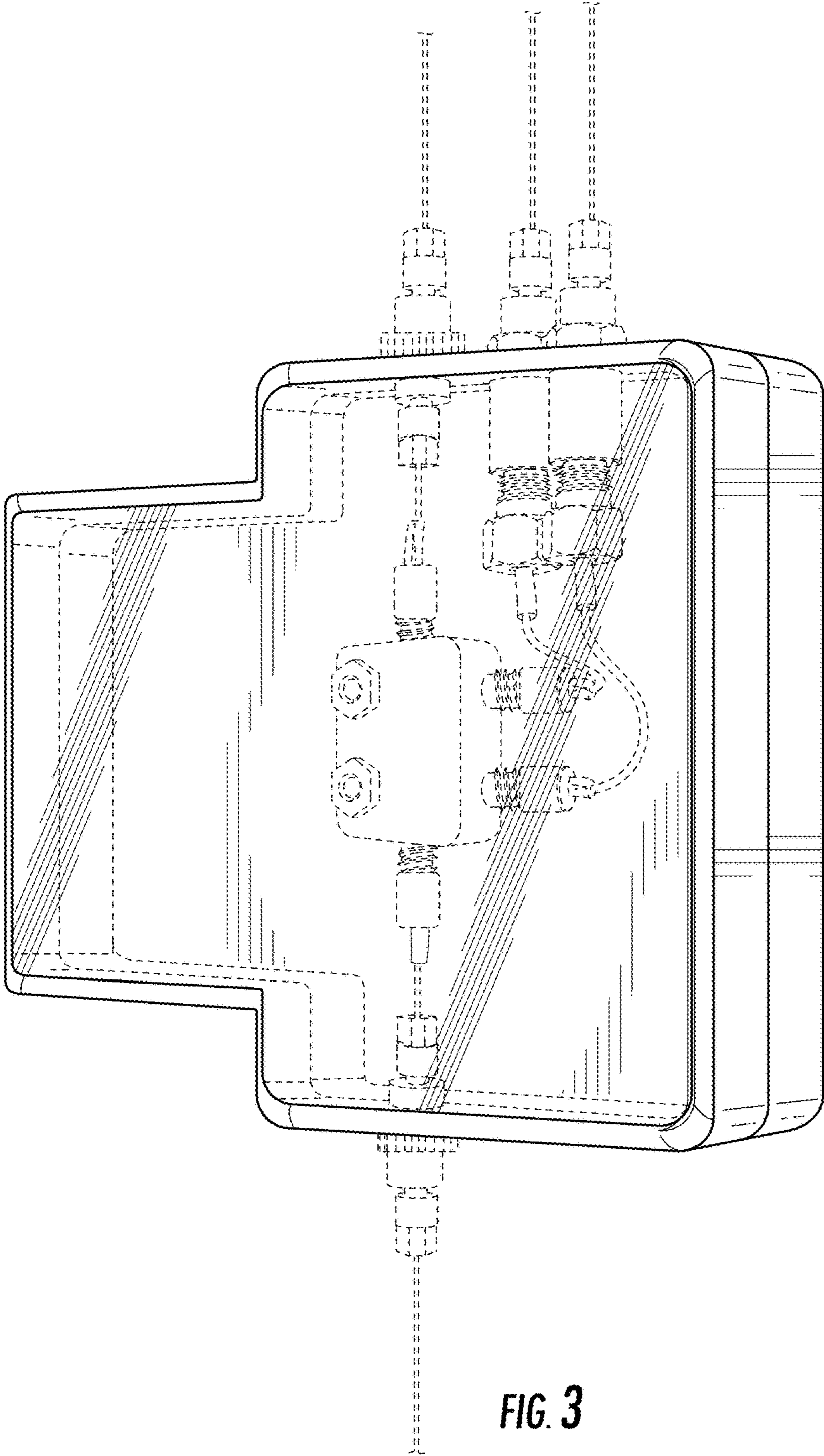


FIG. 3