



US00D857226S

(12) **United States Design Patent** (10) **Patent No.:** **US D857,226 S**  
**Liang et al.** (45) **Date of Patent:** **\*\* Aug. 20, 2019**

(54) **BIOSAMPLE PROCESSING CARTRIDGE**

(71) Applicant: **Delta Electronics Int'l (Singapore) Pte Ltd**, Singapore (SG)  
(72) Inventors: **Qian Liang**, Singapore (SG); **Bo Ma**, Singapore (SG); **Shuwen An**, Singapore (SG); **Weishi Zhang**, Singapore (SG)  
(73) Assignee: **DELTA ELECTRONICS INT'L (SINGAPORE) PTE LTD**, Singapore (SG)

(\*\*) Term: **15 Years**

(21) Appl. No.: **29/615,556**

(22) Filed: **Aug. 30, 2017**

(51) **LOC (12) Cl.** ..... **24-02**

(52) **U.S. Cl.**  
USPC ..... **D24/224**

(58) **Field of Classification Search**  
USPC .... D24/110, 110.5, 169, 211, 223, 224, 230; D8/352, 397; D23/225, 231, 232; D10/74, 108  
CPC ..... F04B 1/00; F04B 1/10; F04B 1/12; A61B 18/148; A61B 18/1482; A61B 18/1487; A61B 17/1684; A61B 17/3421; A61B 17/3462; B01L 7/04; C12Q 1/6844; G01N 35/00  
See application file for complete search history.

(56) **References Cited**

**U.S. PATENT DOCUMENTS**

D230,652 S \* 3/1974 Zimmerman ..... D24/169  
D297,047 S \* 8/1988 Hon ..... D24/187  
(Continued)

**FOREIGN PATENT DOCUMENTS**

CN 302429439 S 5/2013  
IL 40046 \* 12/2006  
TW 200413540 A 8/2004

**OTHER PUBLICATIONS**

Georgian Tripod Wine Table With a Hexadecagonal Shaped Top. Online, published date Oct. 15, 2014. Retrieved on Oct. 19, 2018 from URL: <http://www.onlinegalleries.com/art-and-antiques/detail/georgian-tripod-wine-table-with-a-hexadecagonal-shaped-top/138461>.\*

(Continued)

*Primary Examiner* — Susan Bennett Hattan  
*Assistant Examiner* — Omeed Agilee  
(74) *Attorney, Agent, or Firm* — Kirton McConkie; Evan R. Witt

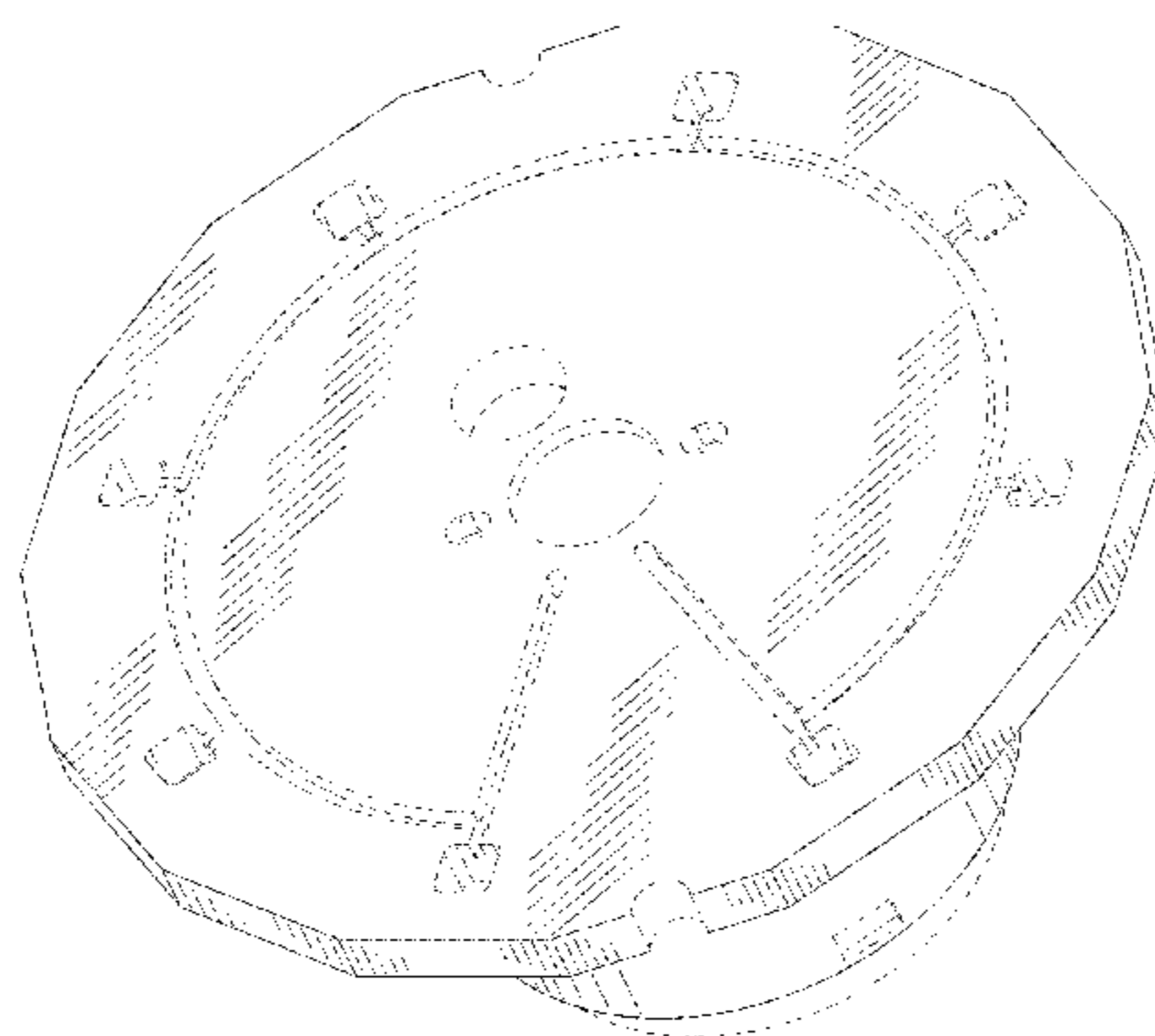
(57) **CLAIM**

The ornamental design for a biosample processing cartridge, as shown and described.

**DESCRIPTION**

FIG. 1 is a perspective view of a biosample processing cartridge showing our new design; FIG. 2 is another perspective view thereof; FIG. 3 is another perspective view thereof; FIG. 4 is a front elevational view thereof; FIG. 5 is a rear elevational view thereof; FIG. 6 is a left side elevational view thereof; FIG. 7 is a right side elevational view thereof; FIG. 8 is a top plan view thereof; FIG. 9 is a bottom plan view thereof; and, FIG. 10 is a perspective view showing the use status of the biosample processing cartridge. The broken lines in FIGS. 1-10 and the areas within them depict portions of the biosample processing cartridge that form no part of the claimed design. The article in broken lines in FIG. 10 enclosing the biosample processing cartridge is environmental subject matter that forms no part of the claimed design. The dot dash dot broken lines in FIGS. 3 and 9 depict the boundary of the claim and form no part thereof.

**1 Claim, 7 Drawing Sheets**



(56)

References Cited

U.S. PATENT DOCUMENTS

4,822,344 A \* 4/1989 O'Boyle ..... A61M 5/168  
604/246  
D303,576 S \* 9/1989 Walton ..... D24/110  
D303,587 S \* 9/1989 Quinn ..... D24/110.4  
D344,683 S \* 3/1994 Stromback ..... D10/103  
D348,513 S \* 7/1994 Bale ..... D24/109  
D434,493 S \* 11/2000 Fecteau ..... D24/110.1  
D492,779 S \* 7/2004 Patzer ..... D24/158  
D493,226 S \* 7/2004 Patzer ..... D24/158  
D573,711 S \* 7/2008 Johnson ..... D24/133  
D576,480 S \* 9/2008 Vakiener ..... D8/397  
D602,164 S \* 10/2009 Speth ..... D24/224  
D620,075 S \* 7/2010 Yamaguchi ..... D23/209  
D628,693 S \* 12/2010 Thuenker ..... D24/133  
D695,397 S \* 12/2013 Nakatsuka ..... D24/127  
D735,569 S \* 8/2015 Reusing ..... D8/397  
D738,935 S \* 9/2015 Chu ..... D15/9

D740,948 S \* 10/2015 Hamilton ..... D24/164  
D810,290 S \* 2/2018 Carter ..... D24/144  
2016/0030106 A1\* 2/2016 Carter ..... A61B 18/1482  
600/204  
2016/0081715 A1\* 3/2016 Kleyman ..... A61B 17/3423  
600/204  
2018/0071728 A1\* 3/2018 Liang ..... B01L 3/502  
2018/0214877 A1\* 8/2018 Liang ..... C12N 15/1003  
2018/0231467 A1\* 8/2018 Ma ..... G01N 21/6486

OTHER PUBLICATIONS

Glow Speed Ring to fit All Flashpoint Mounts. Online, published date unknown. Retrieved on Oct. 19, 2018 from URL: [https://www.adorama.com/us%20%20%201051449.html?gclid=EAlalQobChMIsISU\\_6iT3gIVj4jICh0FiQ-zEAQYAiABEgIRAFD\\_BwE.\\*](https://www.adorama.com/us%20%20%201051449.html?gclid=EAlalQobChMIsISU_6iT3gIVj4jICh0FiQ-zEAQYAiABEgIRAFD_BwE.*)

\* cited by examiner

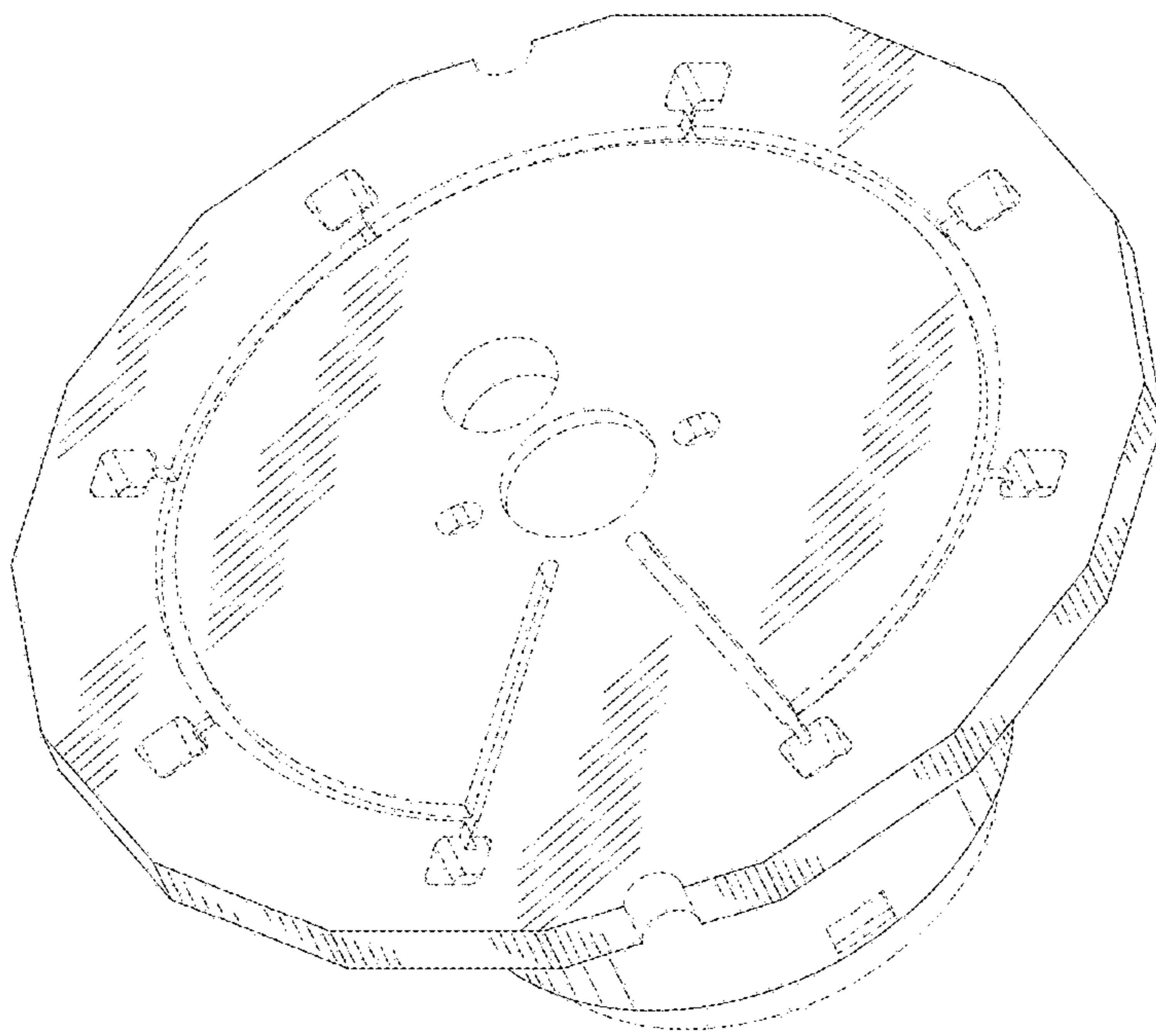


FIG. 1

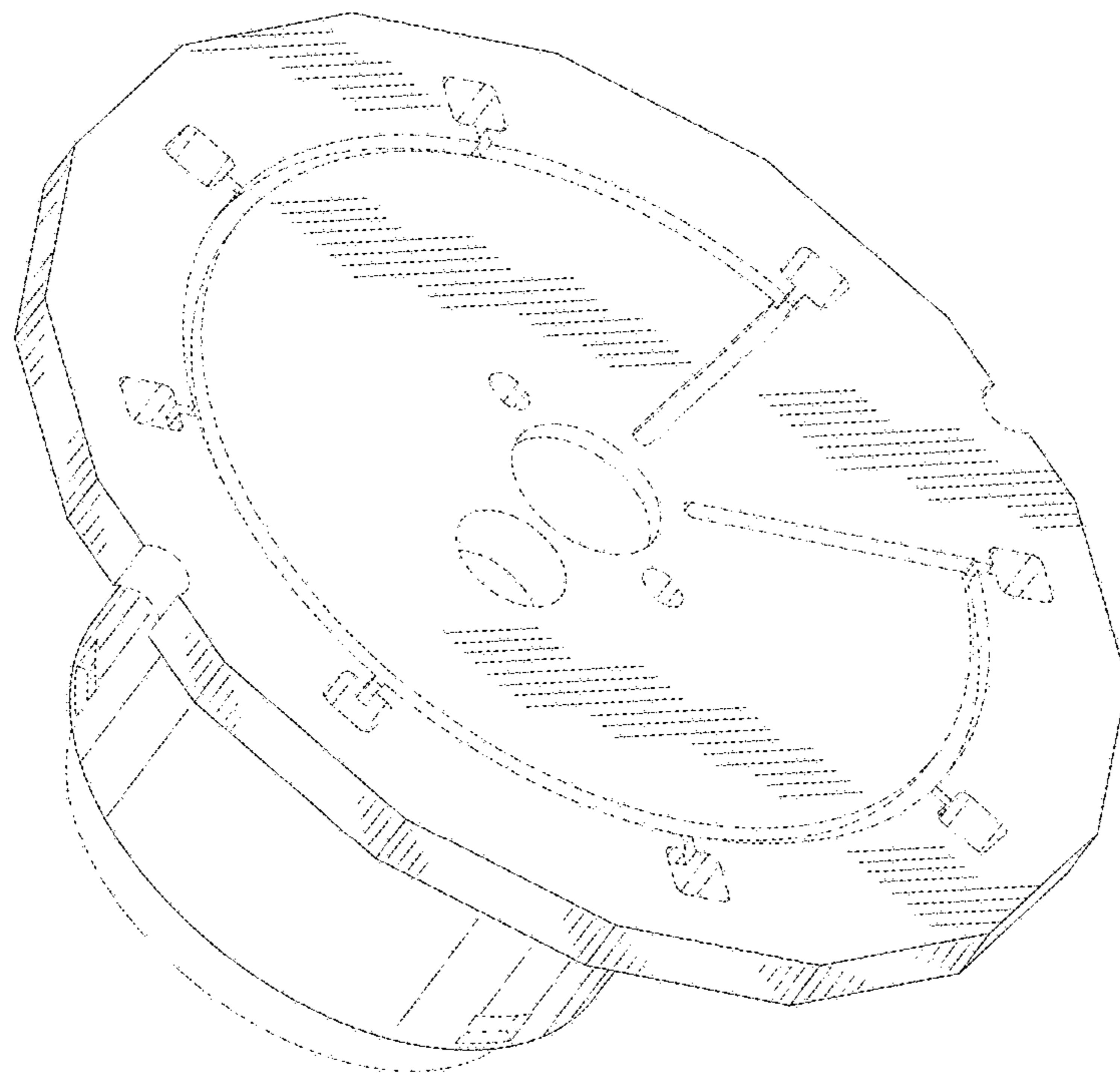


FIG. 2

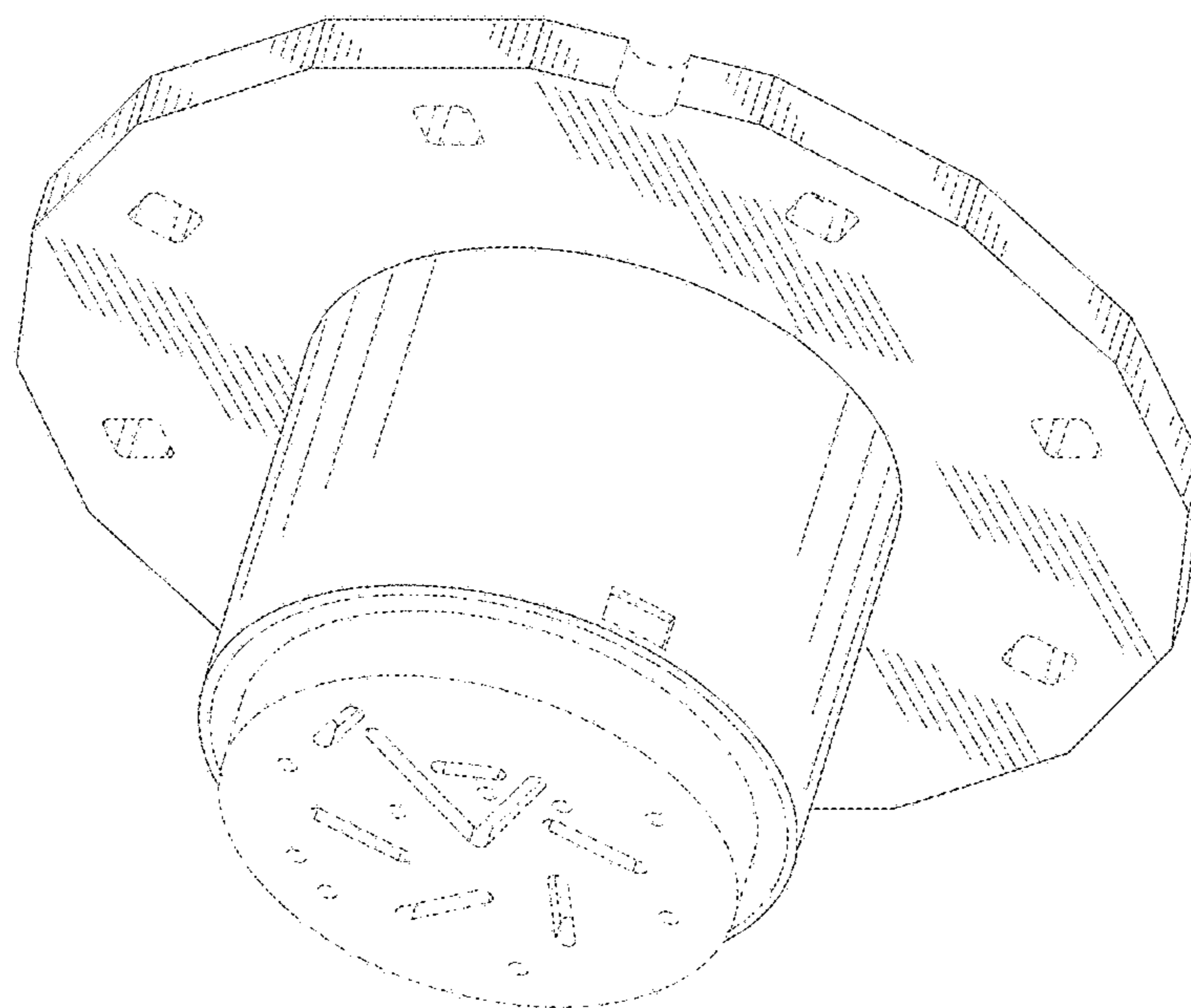


FIG. 3

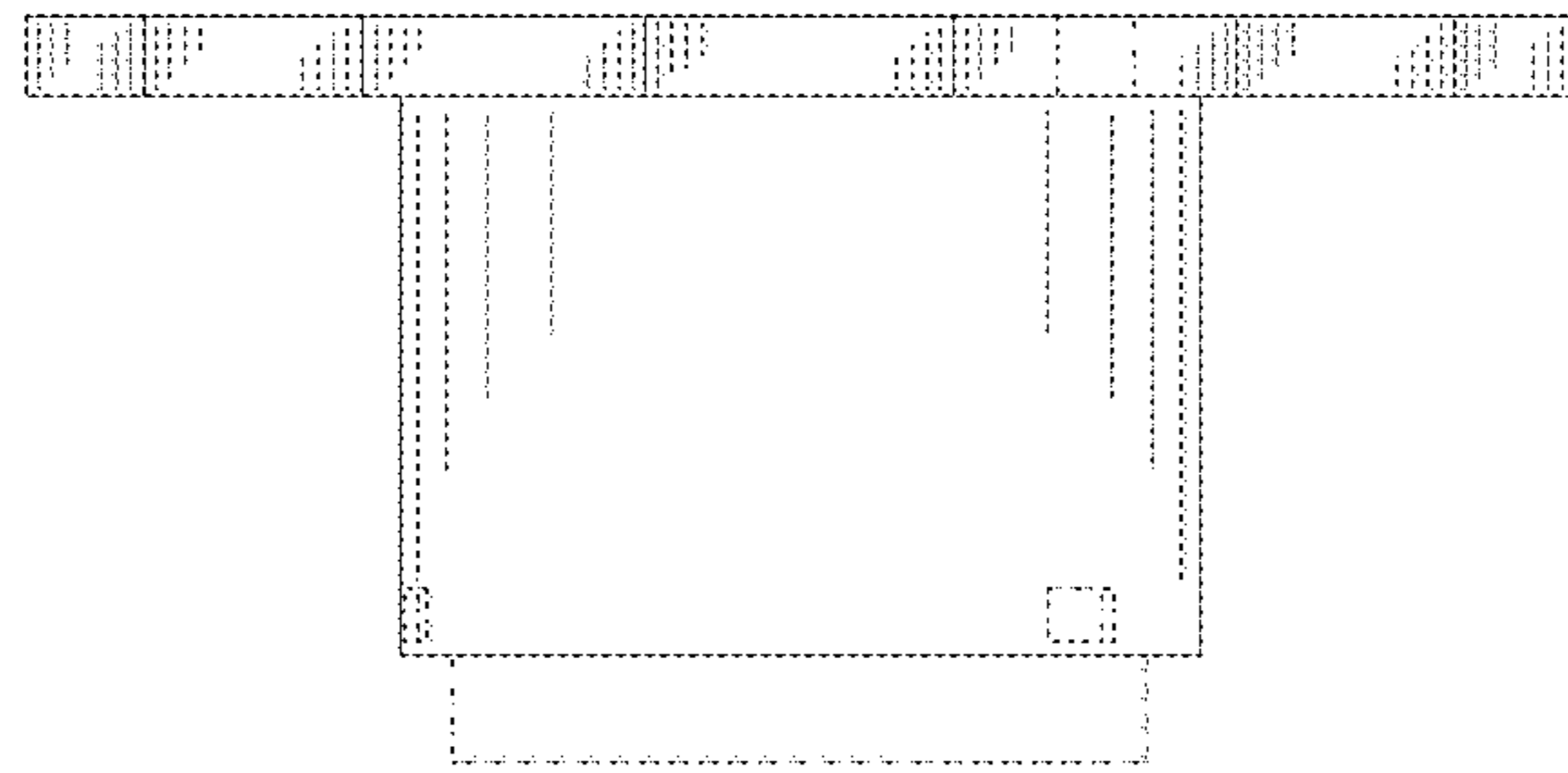


FIG. 4

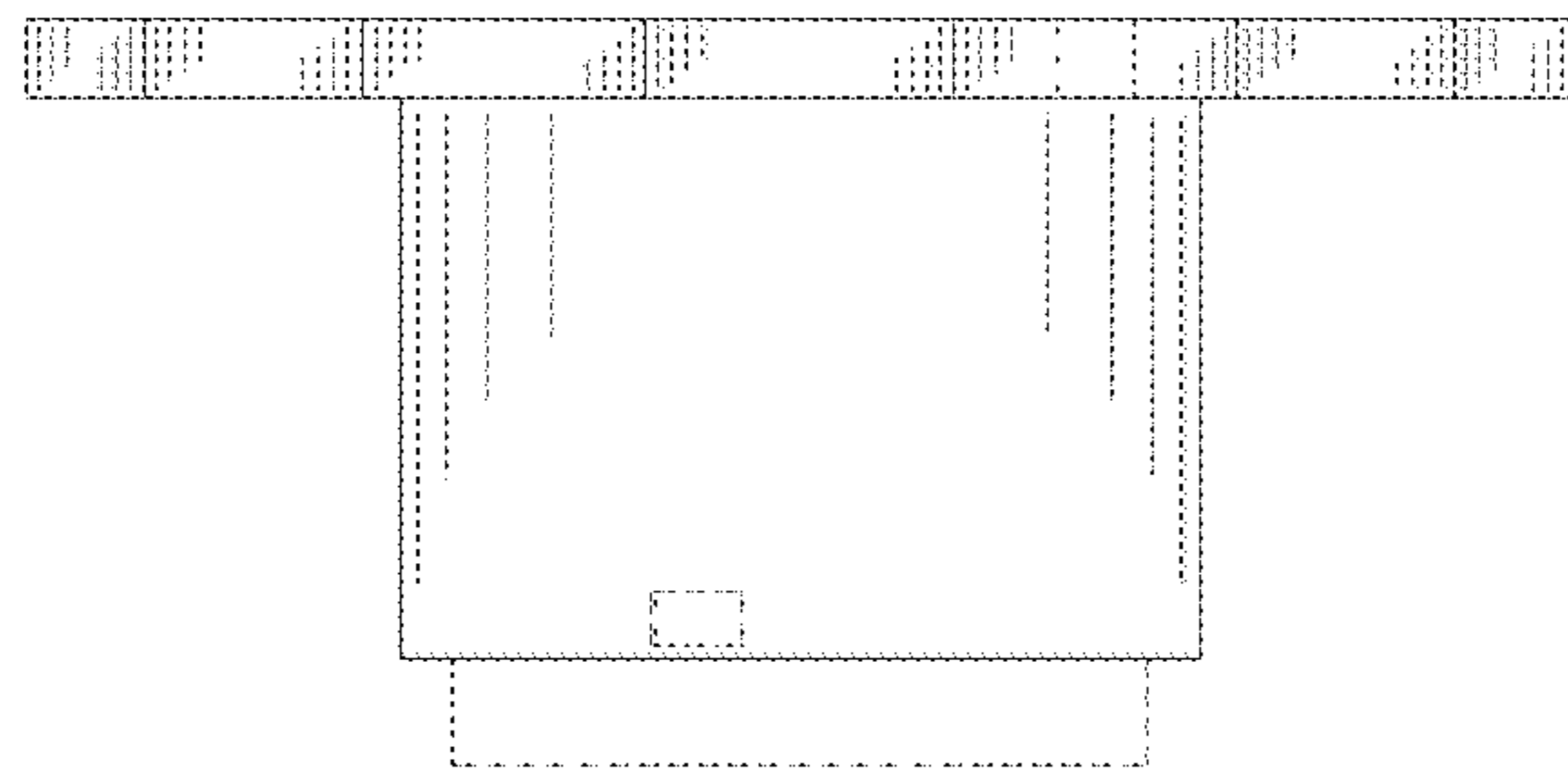


FIG. 5

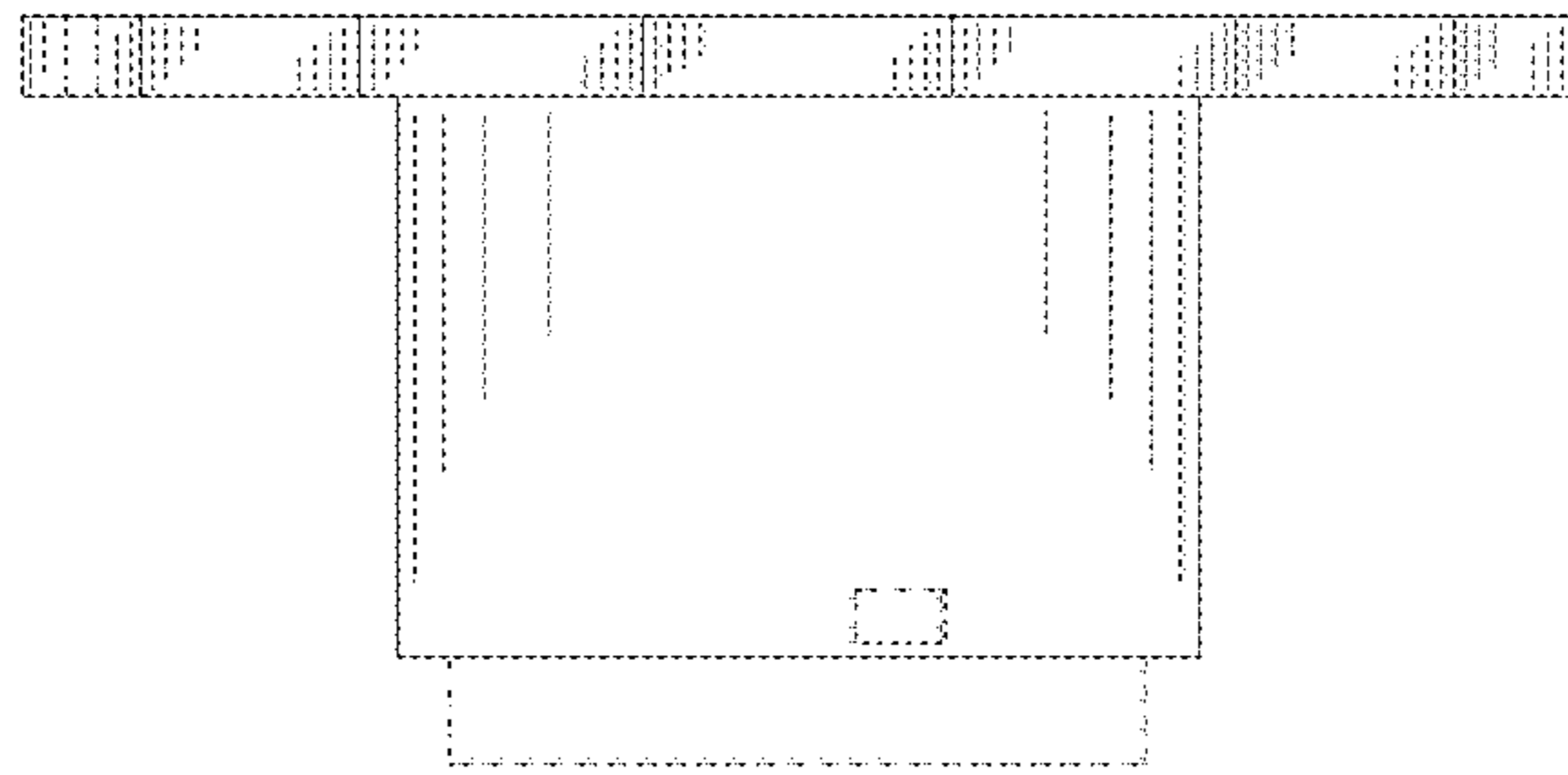


FIG. 6

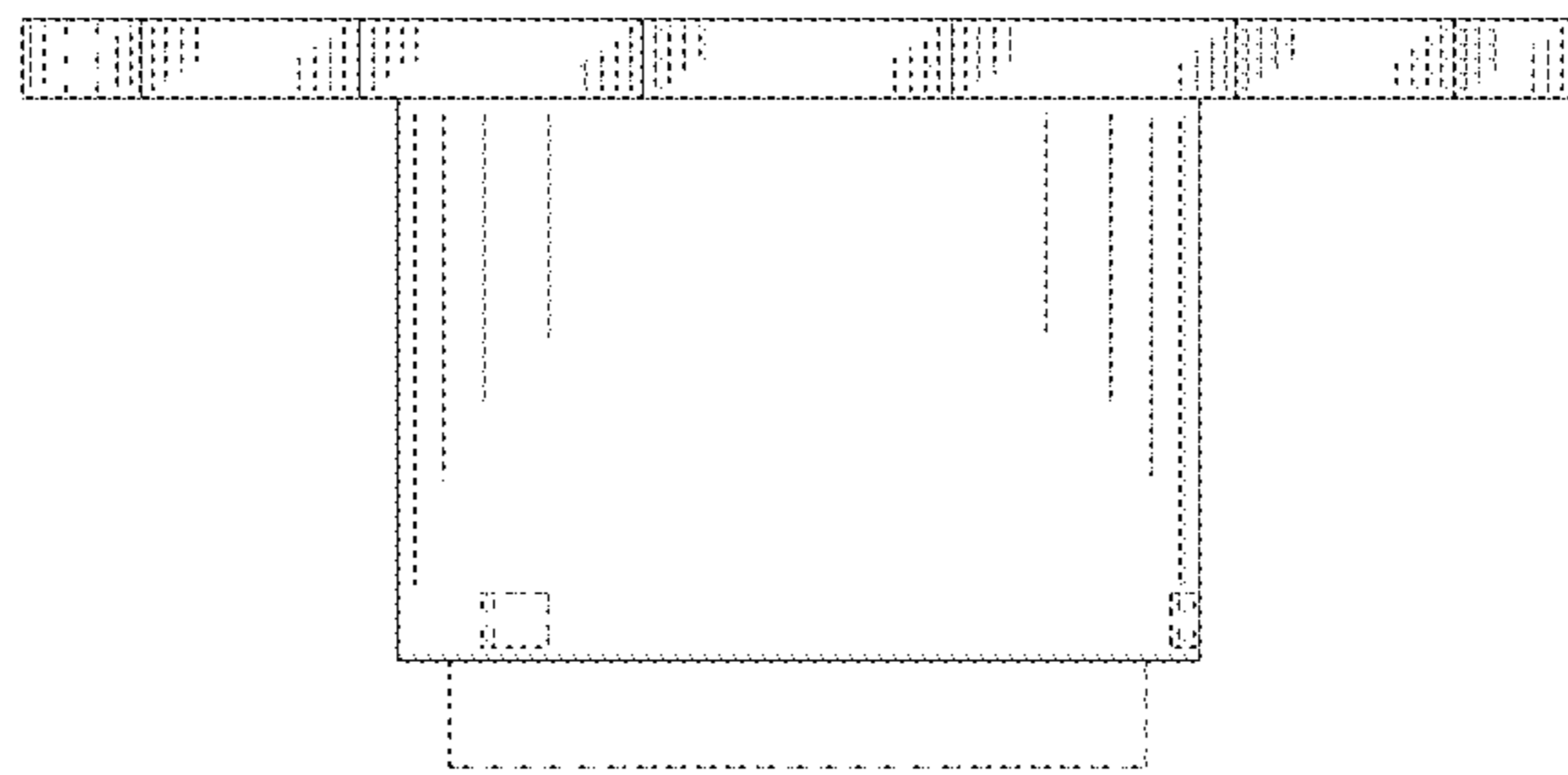


FIG. 7

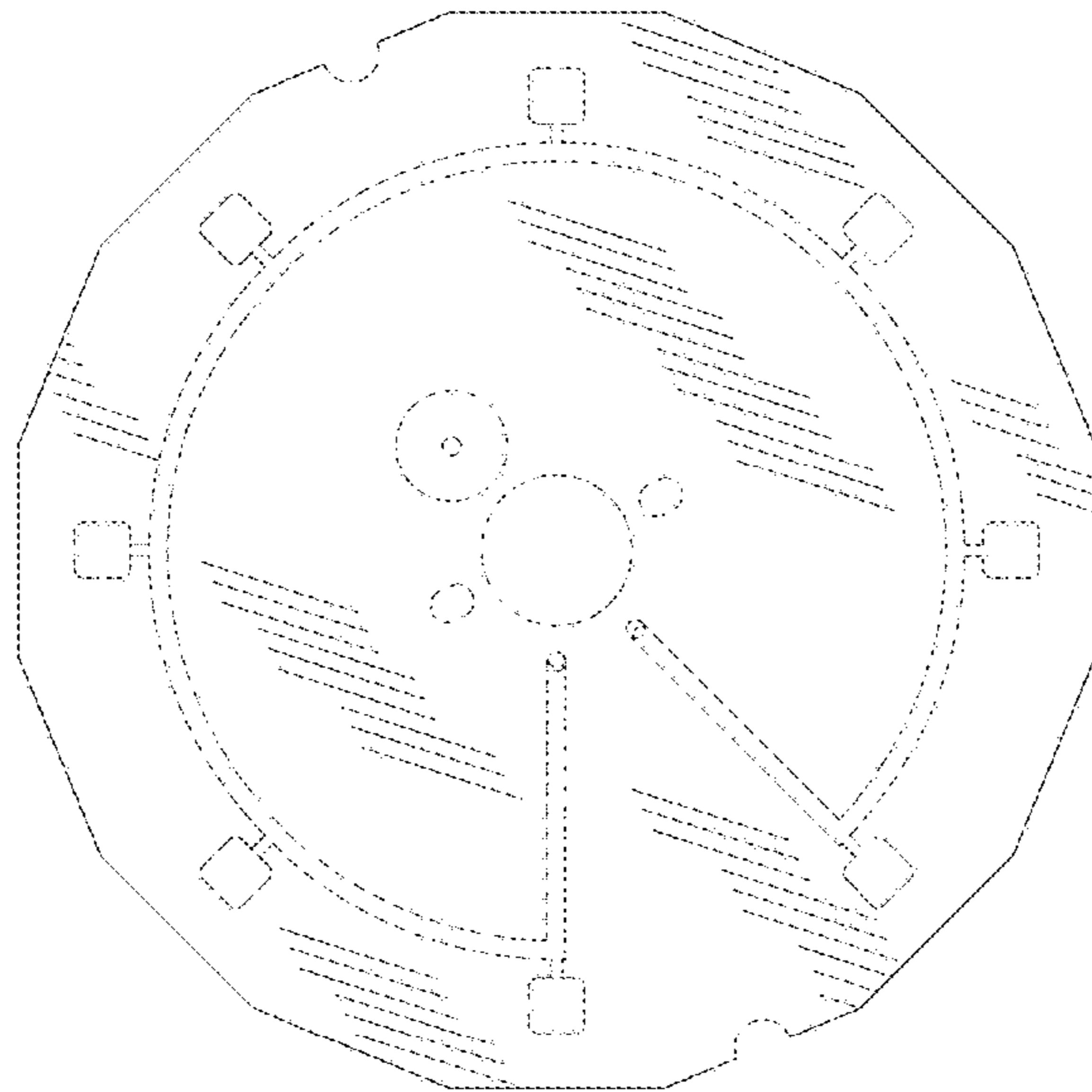


FIG. 8

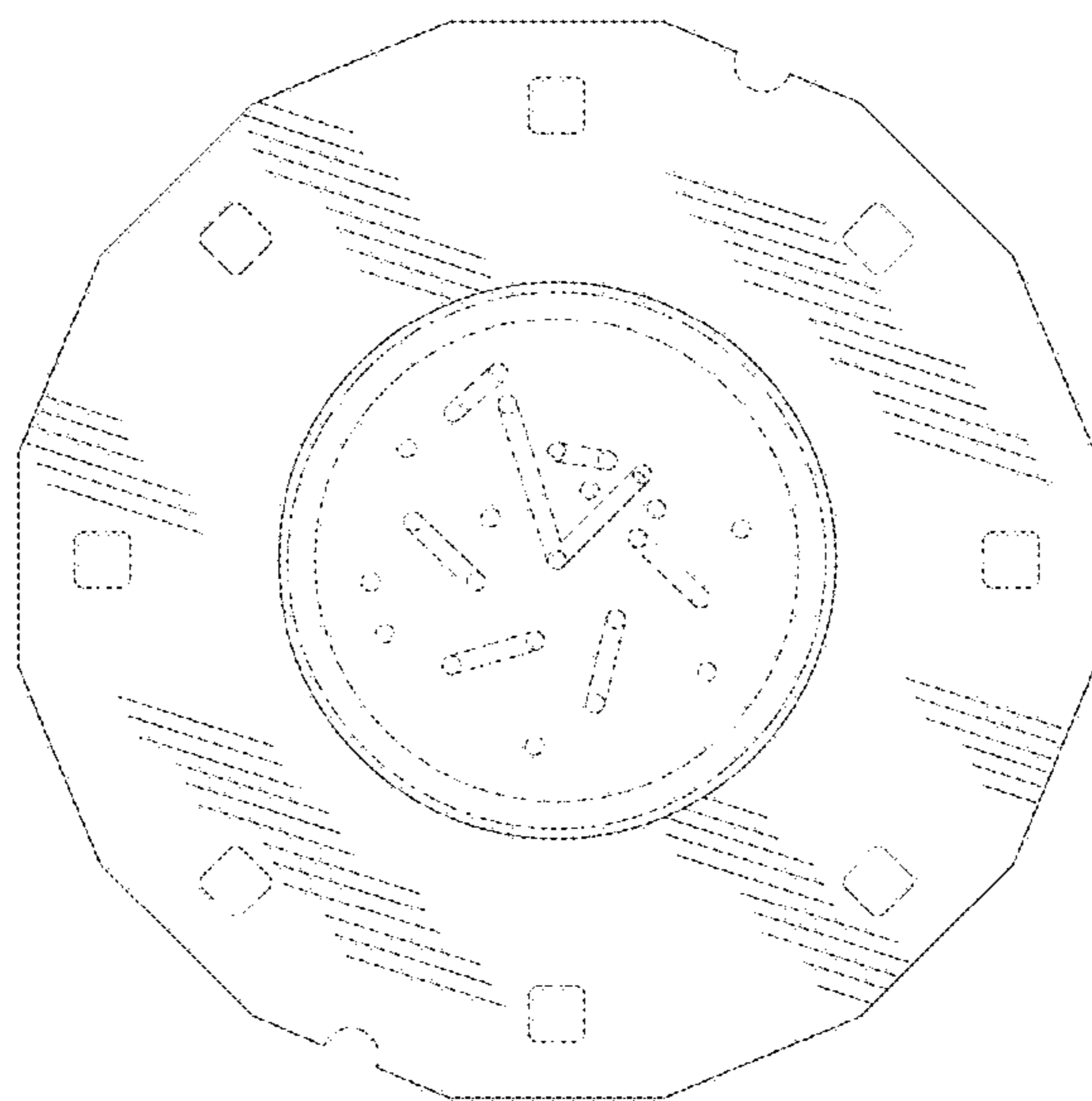


FIG. 9



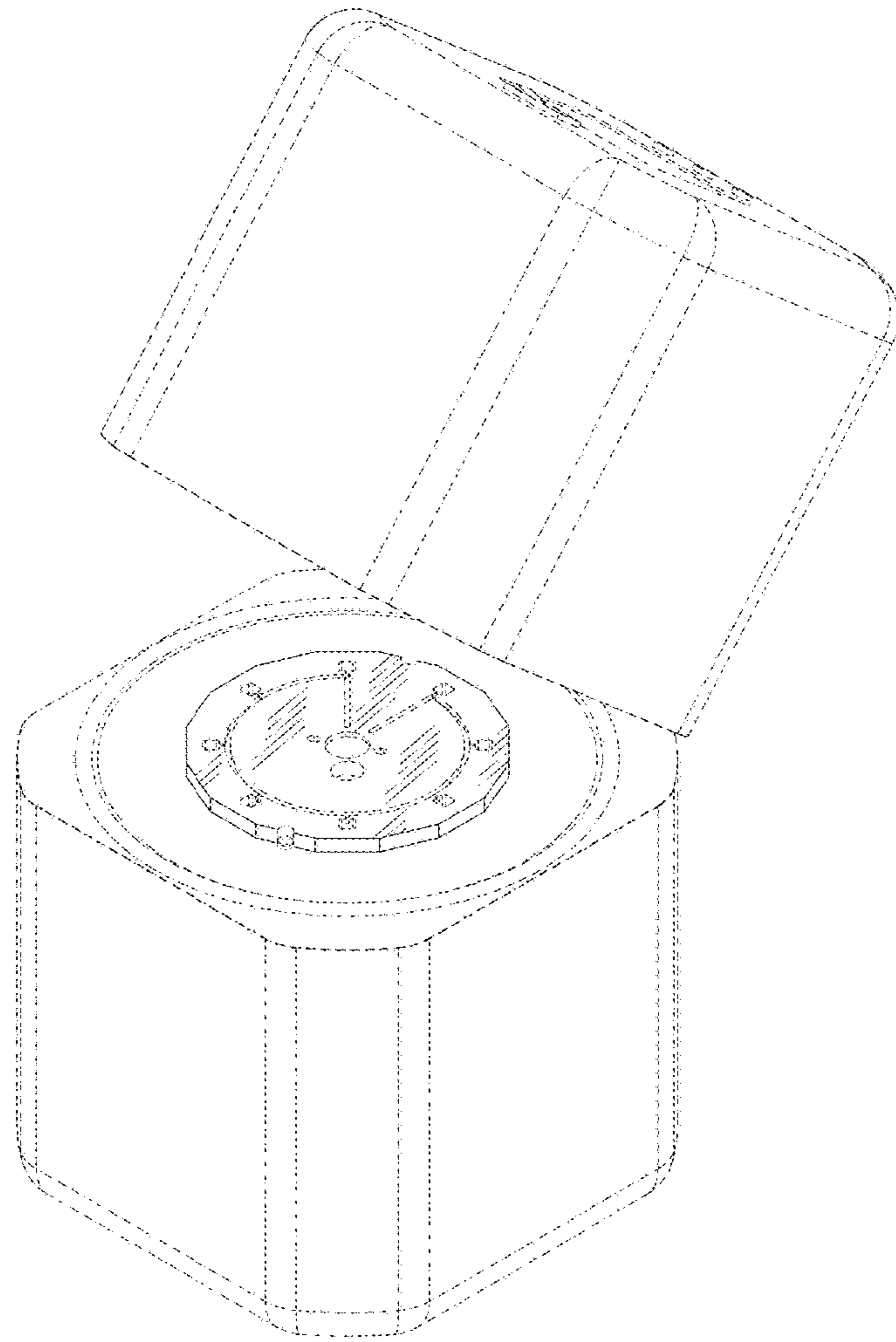


FIG. 10