



US00D857225S

(12) **United States Design Patent** (10) **Patent No.:** **US D857,225 S**  
**Augusto de Melo et al.** (45) **Date of Patent:** **\*\* Aug. 20, 2019**

(54) **APPARATUS FOR PROCESSING BIOLOGICAL FLUIDS**

(71) Applicant: **BIOSAFE S.A.**, Eysins (CH)  
 (72) Inventors: **Daniel Augusto de Melo**, Grand-Lancy (CH); **Julien Camisani**, Preverenges (CH)  
 (73) Assignee: **BIOSAFE S.A.** (CH)  
 (\*\*) Term: **15 Years**

(21) Appl. No.: **35/502,912**

(22) Filed: **Nov. 3, 2016**

(80) **Hague Agreement Data**

Int. Filing Date: **Nov. 3, 2016**  
 Int. Reg. No.: **DM/093283**  
 Int. Reg. Date: **Nov. 3, 2016**  
 Int. Reg. Pub. Date: **May 5, 2017**

(30) **Foreign Application Priority Data**

May 4, 2016 (CH) ..... 142369

(51) **LOC (12) Cl.** ..... **24-02**

(52) **U.S. Cl.**  
 USPC ..... **D24/216**

(58) **Field of Classification Search**  
 USPC ..... D24/216, 186, 220, 224, 227, 232, 234  
 CPC . H01L 21/3065; H01L 21/67069; H05H 1/46;  
 B01D 2315/02; B01D 2317/00; B01D 61/18; B01D 61/22; B01D 63/16  
 See application file for complete search history.

(56) **References Cited**

U.S. PATENT DOCUMENTS

D210,260 S *	2/1968	Cappelli .....	D24/186
D258,909 S *	4/1981	Bergo .....	D24/169
D383,548 S *	9/1997	Hoelbl .....	D24/216
D544,103 S *	6/2007	Mezriere .....	D24/216
D566,283 S *	4/2008	Brafford .....	D24/186
D617,910 S *	6/2010	Horton .....	D24/224
D632,792 S *	2/2011	Cameron .....	D24/169
D694,396 S *	11/2013	Belt .....	D24/108
D714,954 S *	10/2014	Develon .....	D24/216
D754,859 S *	4/2016	Gonsalves .....	D24/169
D810,316 S *	2/2018	Hoelbl .....	D24/232

\* cited by examiner

*Primary Examiner* — Eliza Z Bennett-Hattan  
 (74) *Attorney, Agent, or Firm* — Wood IP LLC

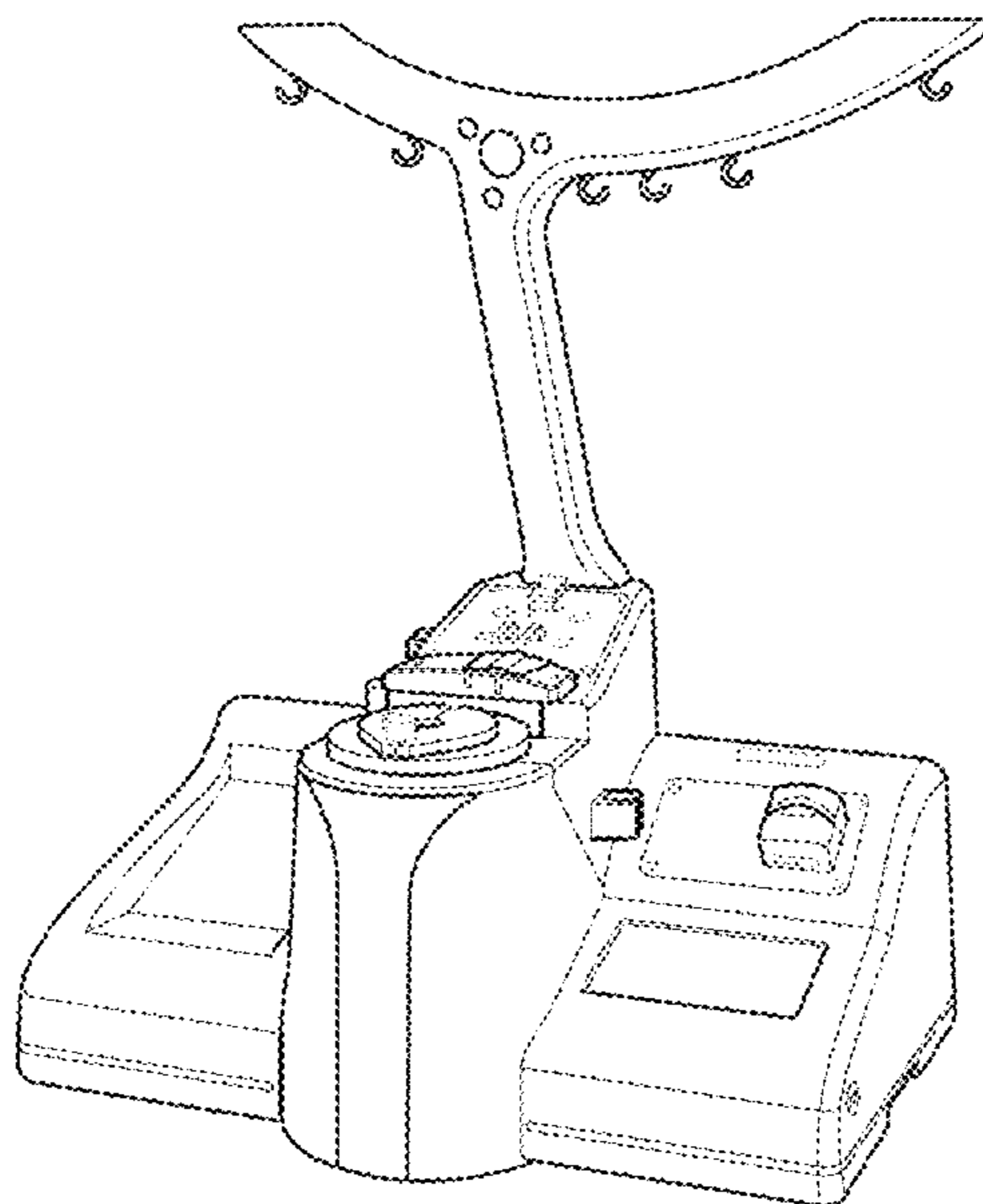
(57) **CLAIM**

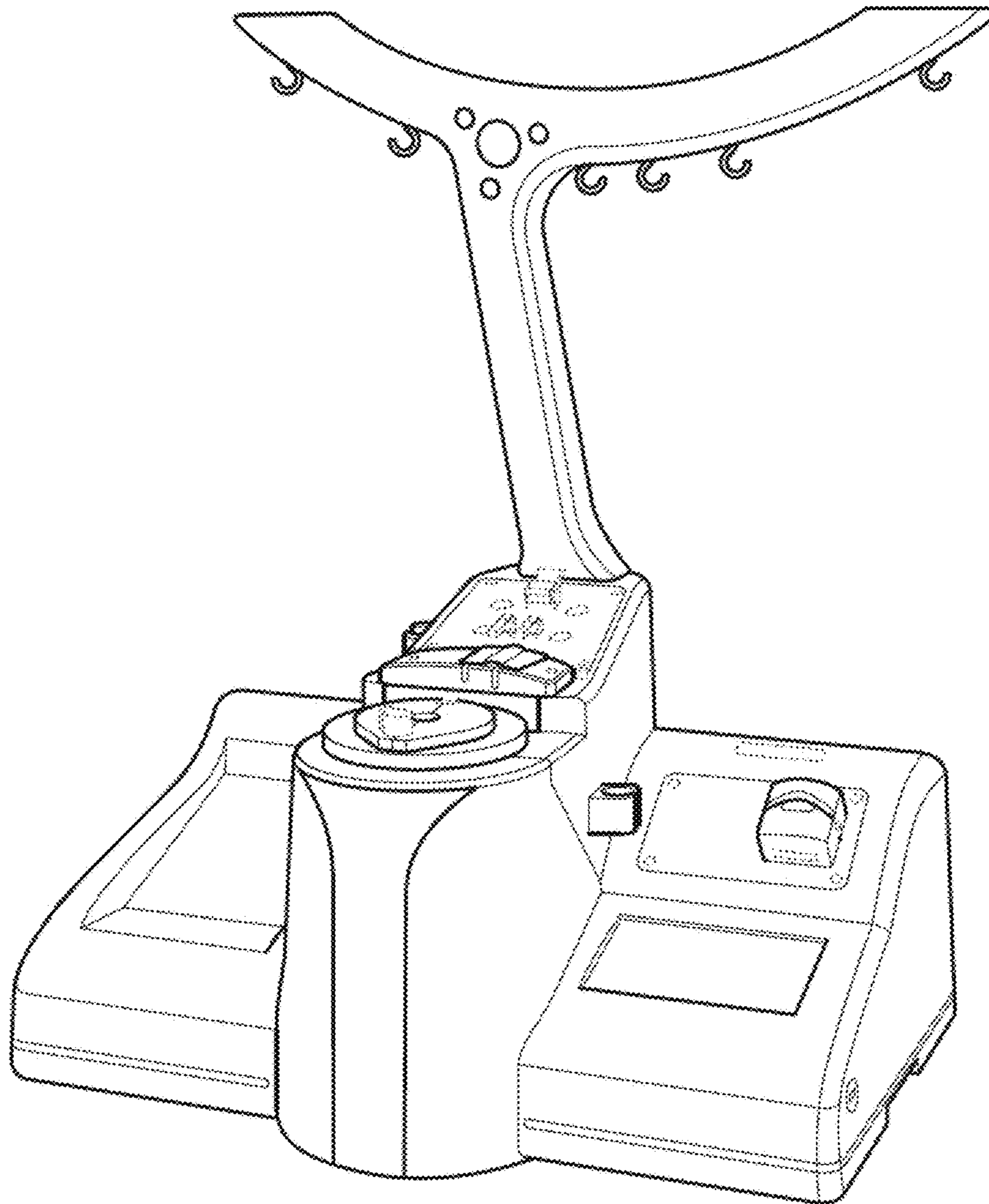
The ornamental design for an apparatus for processing biological fluids, as shown and described.

**DESCRIPTION**

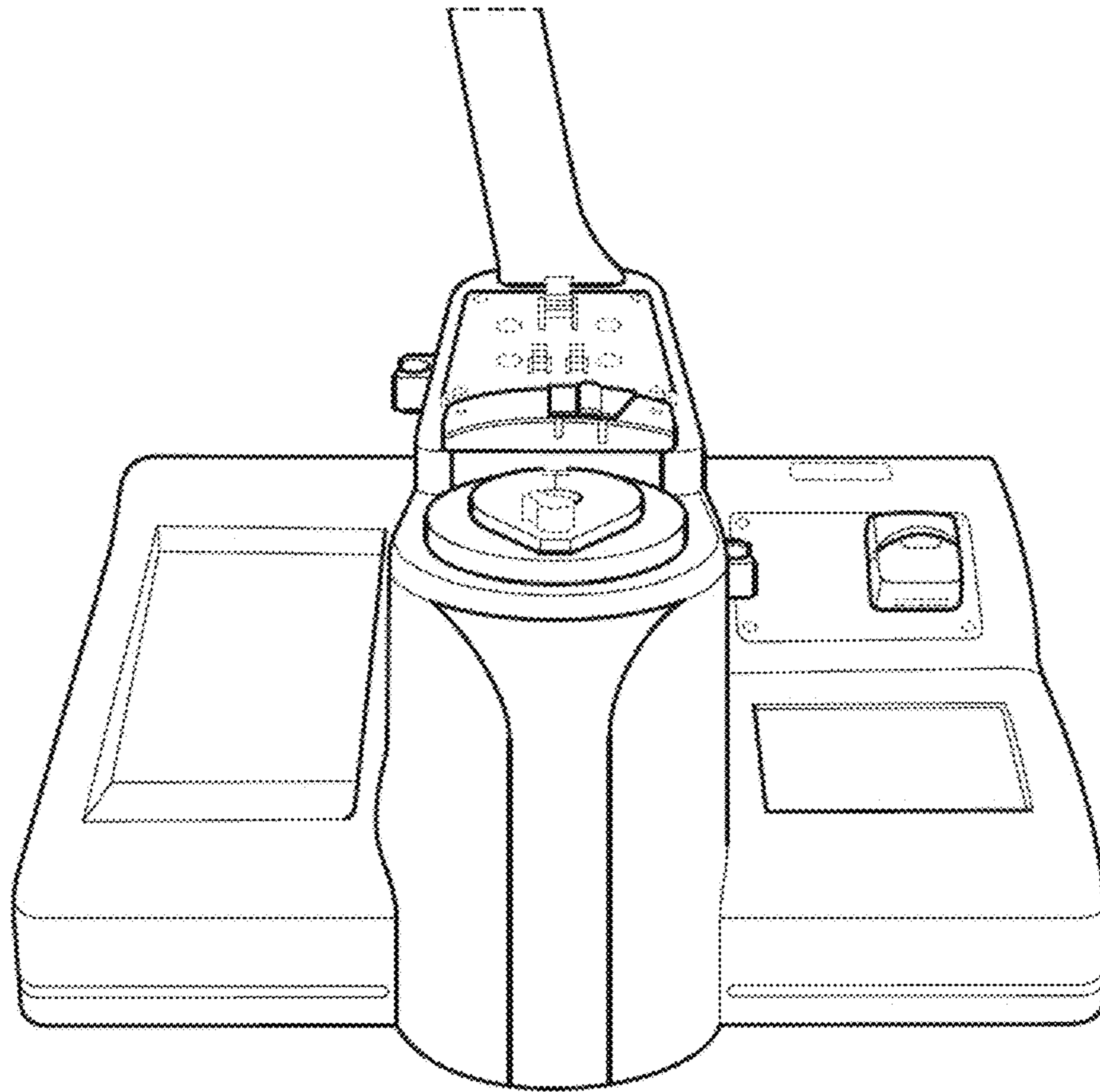
FIG. 1.1 is a front perspective view of the apparatus for processing biological fluids;  
 FIG. 1.2 is an enlarged partial front view thereof;  
 FIG. 1.3 is an enlarged partial front view thereof;  
 FIG. 1.4 is an enlarged partial front perspective view thereof;  
 FIG. 1.5 is a front perspective view thereof; and  
 FIG. 1.6 is a side perspective view thereof.  
 In the drawings, the portions of the apparatus for processing biological fluids shown in broken lines form no part of the claimed design.

**1 Claim, 6 Drawing Sheets**

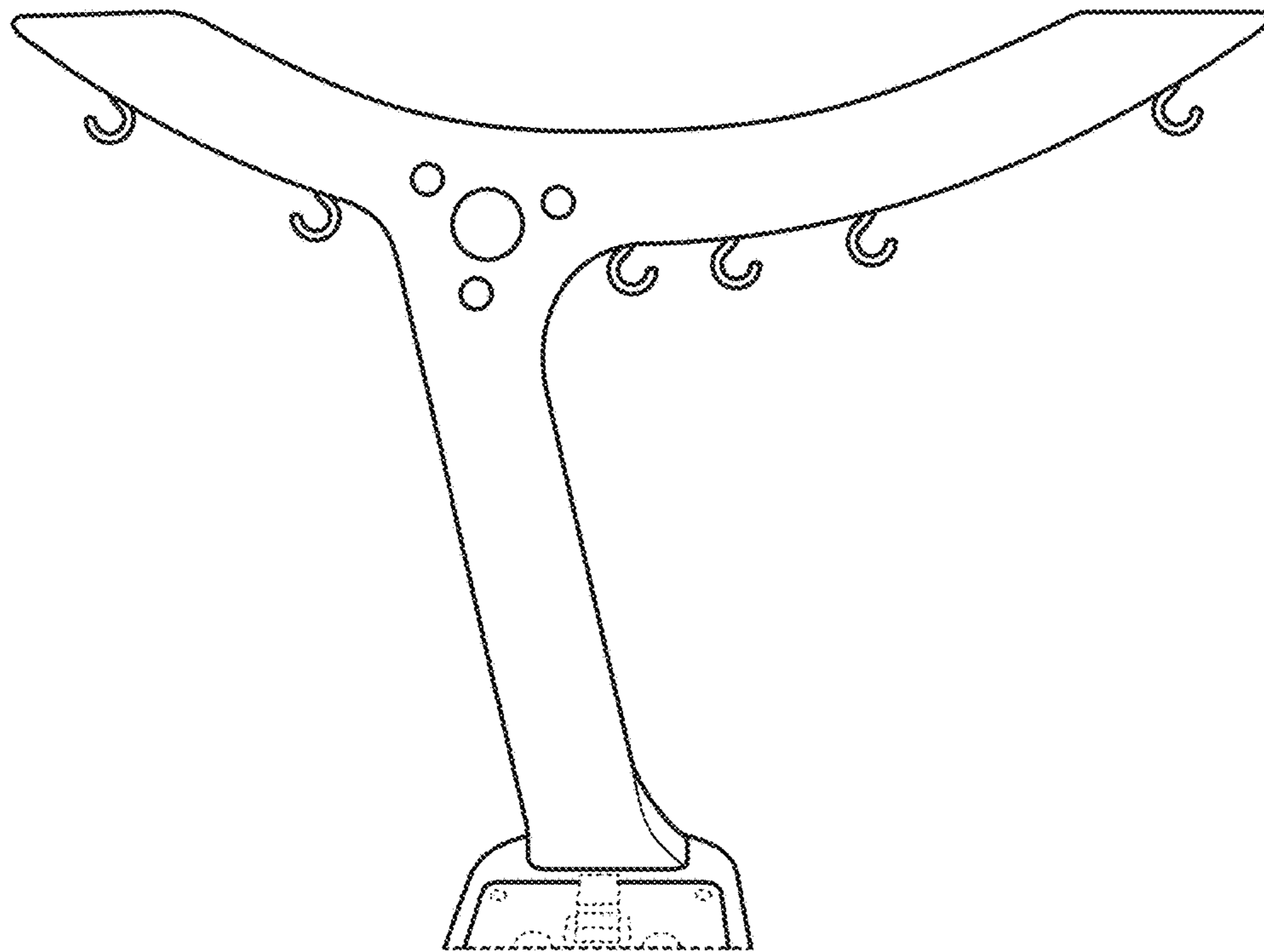




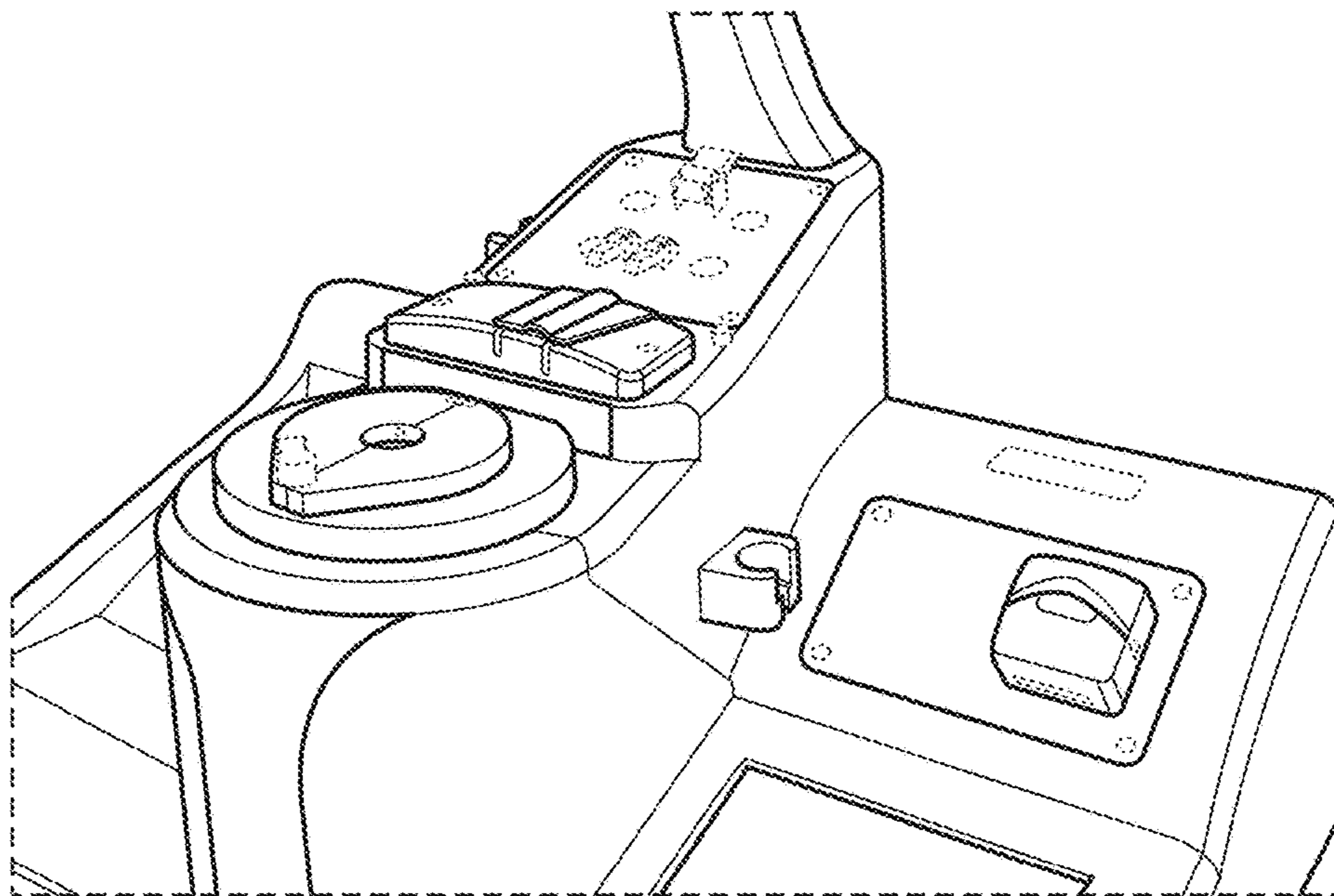
1.1



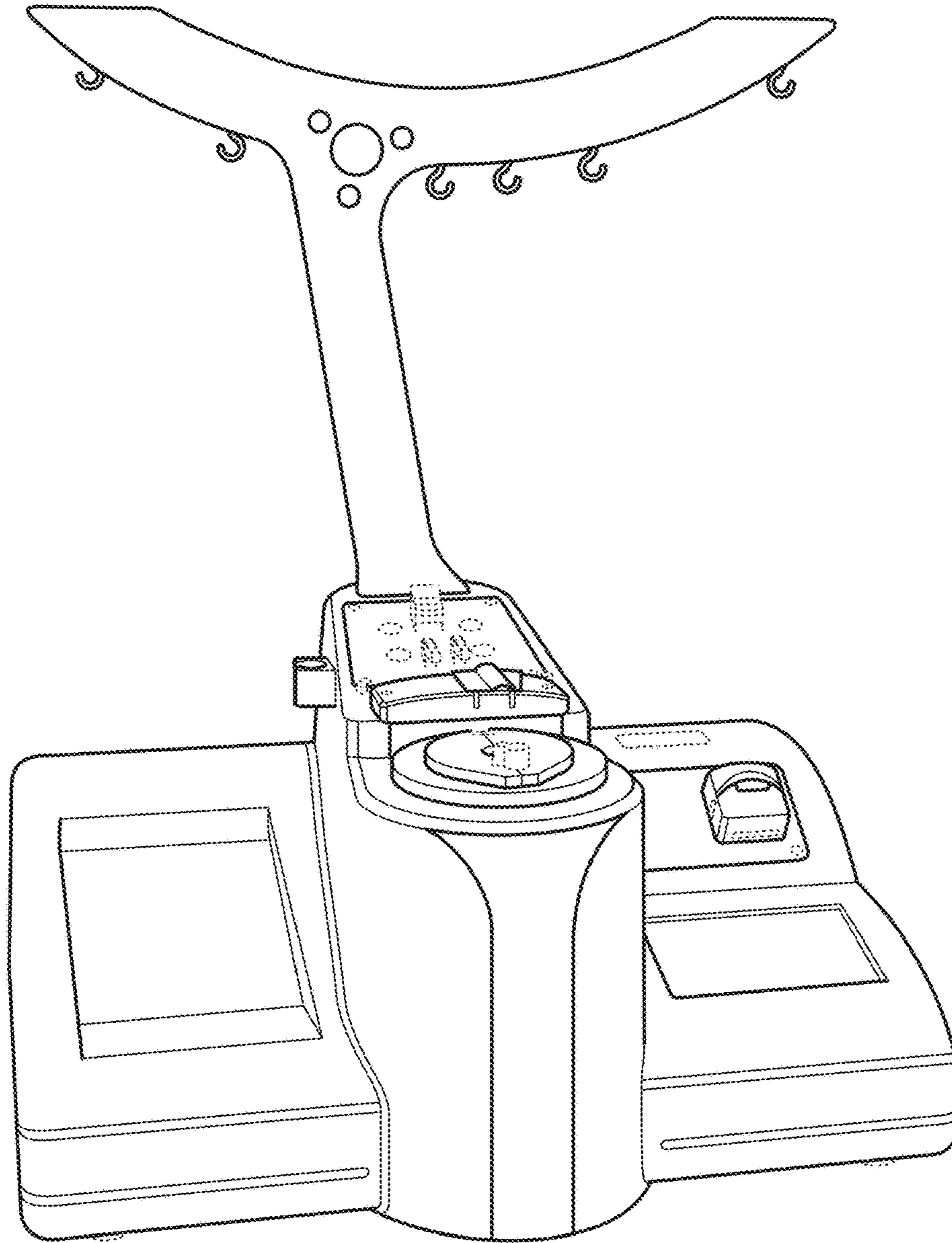
1.2



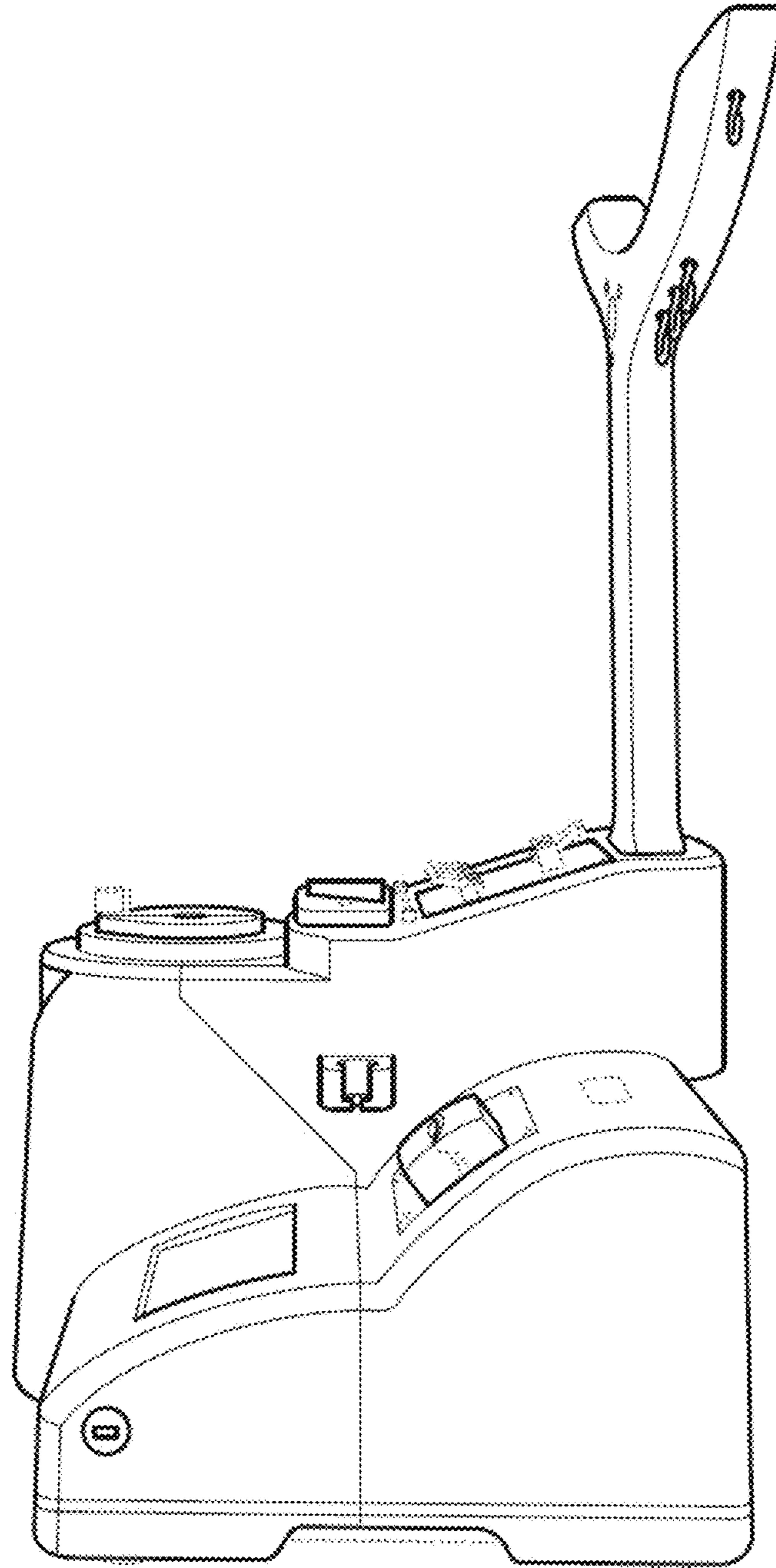
1.3



1.4



1.5



1.6