



US00D857222S

(12) **United States Design Patent** (10) **Patent No.:** **US D857,222 S**
Liu (45) **Date of Patent:** **** Aug. 20, 2019**

(54) **VIBRATION MASSAGER**
(71) Applicants: **Guangzhou Banggood Technology Co., Ltd.**, Guangdong OT (CN); **SISTALK Technology (Beijing) Co., Ltd.**, Beijing OT (CN)
(72) Inventor: **Bo Liu**, Beijing (CN)
(**) Term: **15 Years**
(21) Appl. No.: **29/643,026**
(22) Filed: **Apr. 3, 2018**
(51) **LOC (12) Cl.** **28-03**
(52) **U.S. Cl.**
USPC **D24/215**
(58) **Field of Classification Search**
USPC 601/15, 18, 19, 46, 47, 48, 52, 99, 112, 601/113, 118, 135, 137, DIG. 12, 601/DIG. 14, DIG. 15, DIG. 16, DIG. 17; D24/200, 211, 212, 213, 214, 215; 600/38, 39, 40, 41; D30/160
CPC A61H 19/34; A61H 19/30; A61H 19/50; A61H 2205/087
See application file for complete search history.

D687,962 S * 8/2013 DiVittorio D24/215
D689,620 S * 9/2013 Louis D24/215
D690,431 S * 9/2013 Nohr D24/215
D703,342 S * 4/2014 Faussett D24/215
D705,941 S * 5/2014 Hahr D24/215
D706,442 S * 6/2014 Hahr D24/215
D708,755 S * 7/2014 Kim D24/215
D716,463 S * 10/2014 Peddicord A61H 19/40
D24/215
D727,517 S * 4/2015 Moorehead D24/211
D727,518 S * 4/2015 Moorehead D24/211
D727,519 S * 4/2015 Moorehead D24/211
D727,520 S * 4/2015 Moorehead D24/211
D727,521 S * 4/2015 Moorehead D24/211
D727,522 S * 4/2015 Moorehead D24/211

(Continued)

OTHER PUBLICATIONS

Joybuy, "Sistalk Huang Xiao Ji Intelligent Vibrator for Woman", Aug. 29, 2017. <https://www.joybuy.com/600164582.html>. Shown on p. 1. (Year: 2017).*

Primary Examiner — Cynthia Ramirez
Assistant Examiner — Michael A Maharajh

(57) **CLAIM**

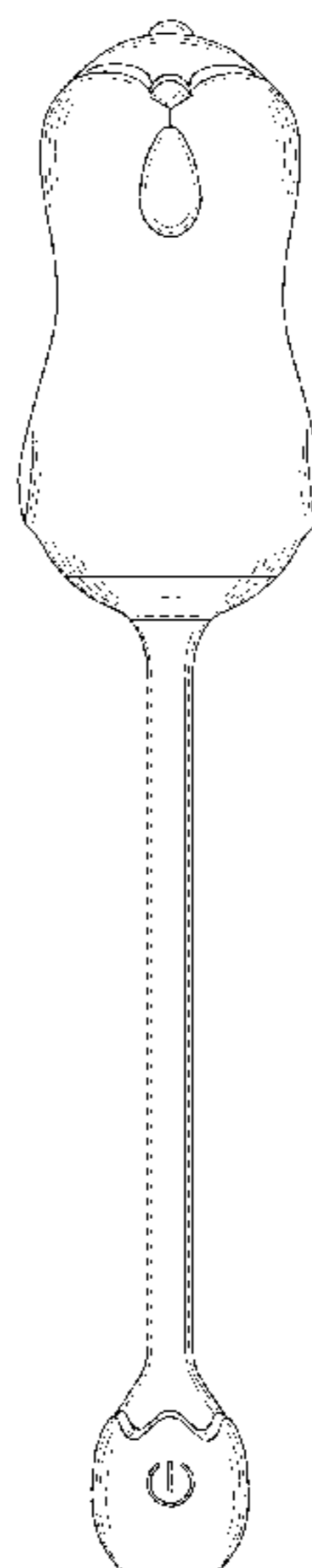
The ornamental design for a vibration massager, as shown and described.

DESCRIPTION

FIG. 1 is a front view of the massager showing our new design;
FIG. 2 is a rear view thereof;
FIG. 3 is a left side view thereof;
FIG. 4 is a right side view thereof;
FIG. 5 is a top view thereof;
FIG. 6 is a bottom view thereof; and,
FIG. 7 is a perspective view thereof.
The shade lines in the Figures show contour and not surface ornamentation.

1 Claim, 3 Drawing Sheets

(56) **References Cited**
U.S. PATENT DOCUMENTS
1,877,616 A * 9/1932 Franz A61H 23/06
601/15
D326,721 S * 6/1992 Ujifusa D24/200
D342,999 S * 1/1994 Gonsalves, Jr. D24/214
D382,644 S * 8/1997 Chi D24/200
D389,920 S * 1/1998 Kennon D24/200
5,766,210 A * 6/1998 Komoroczy A61H 15/0092
601/135
D637,303 S * 5/2011 Post D24/215
D653,762 S * 2/2012 Nan D24/215
D662,601 S * 6/2012 Matsushita D24/215
D673,683 S * 1/2013 McCormack D24/133
D674,489 S * 1/2013 McCormack D24/133



(56)

References Cited

U.S. PATENT DOCUMENTS

D752,767 S * 3/2016 Stock D24/214
D768,307 S * 10/2016 Hetzel D24/214
D792,980 S * 7/2017 Olivares D24/215

* cited by examiner

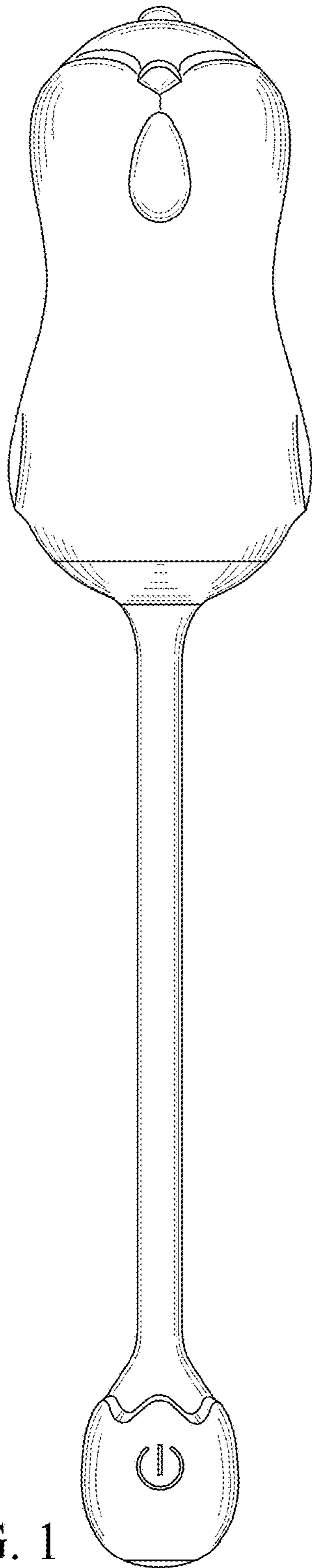


FIG. 1

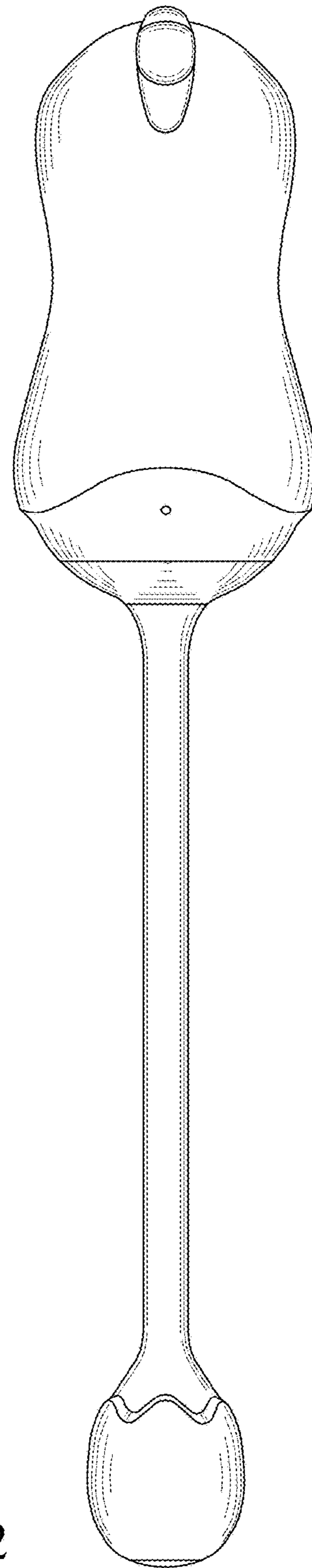


FIG. 2

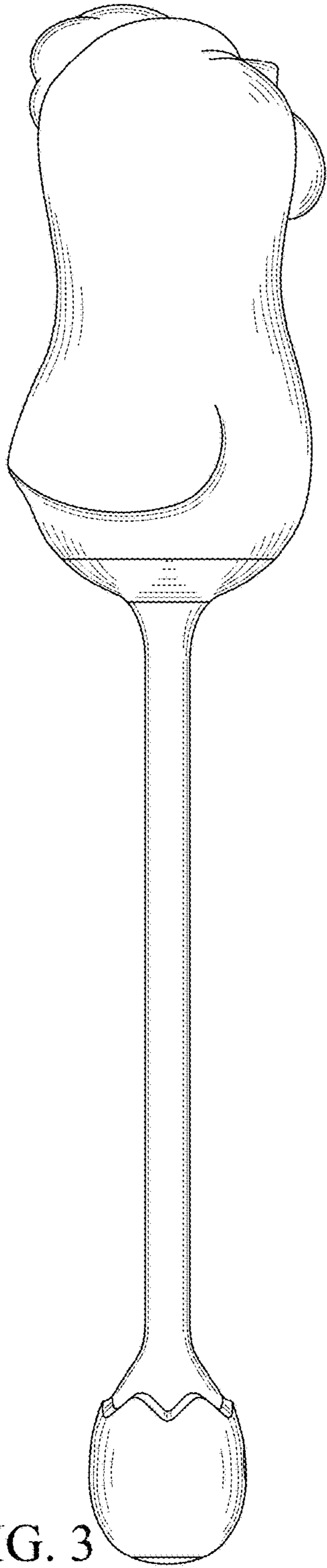


FIG. 3

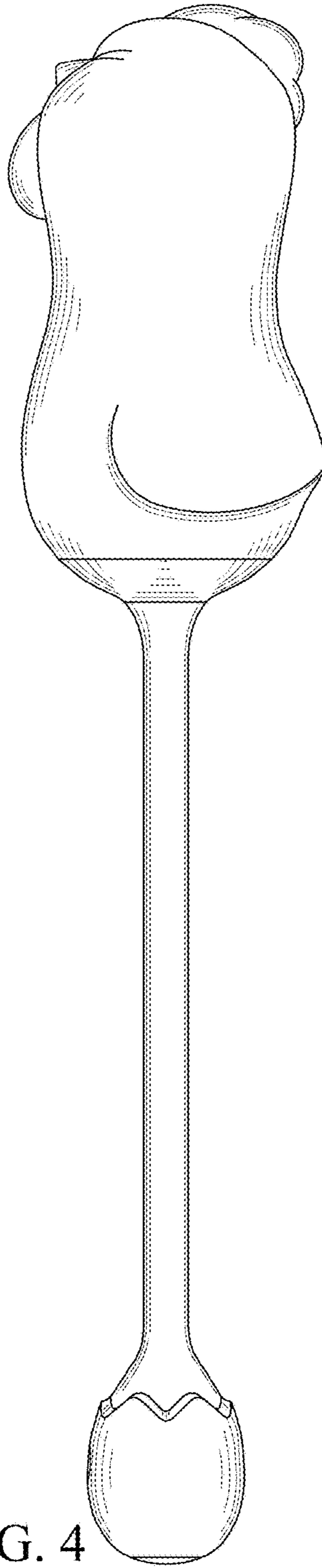


FIG. 4

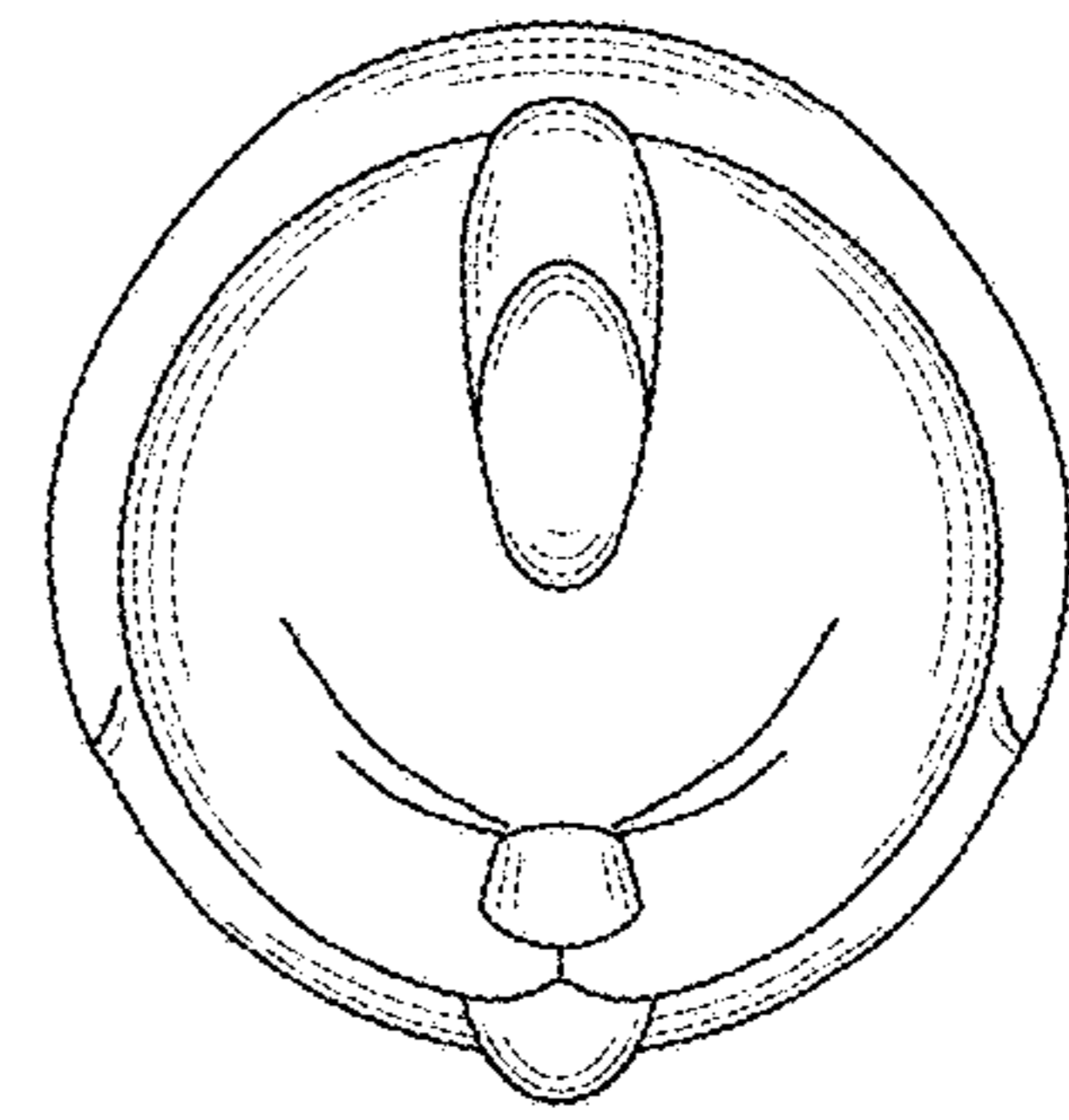


FIG. 5

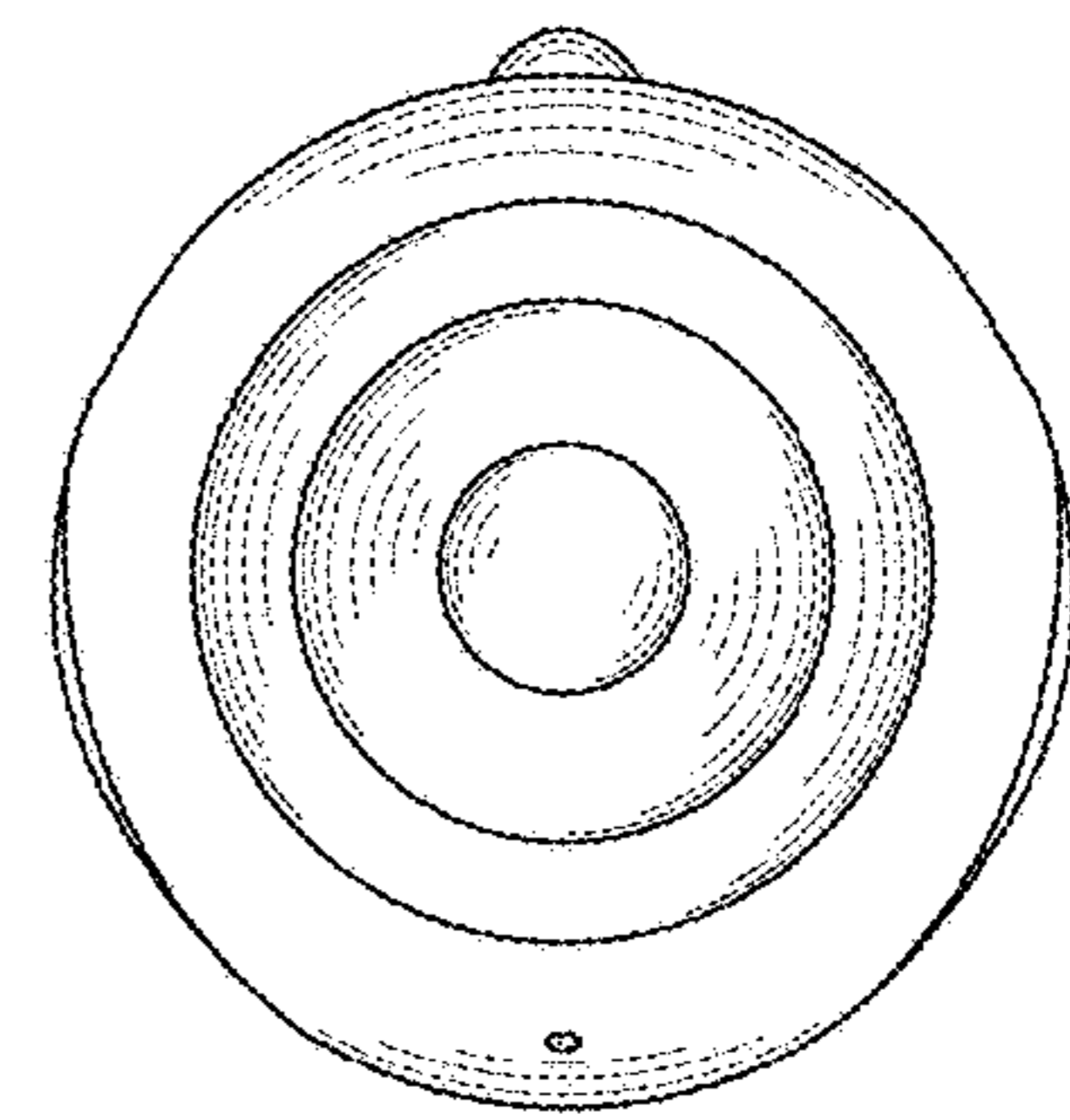


FIG. 6

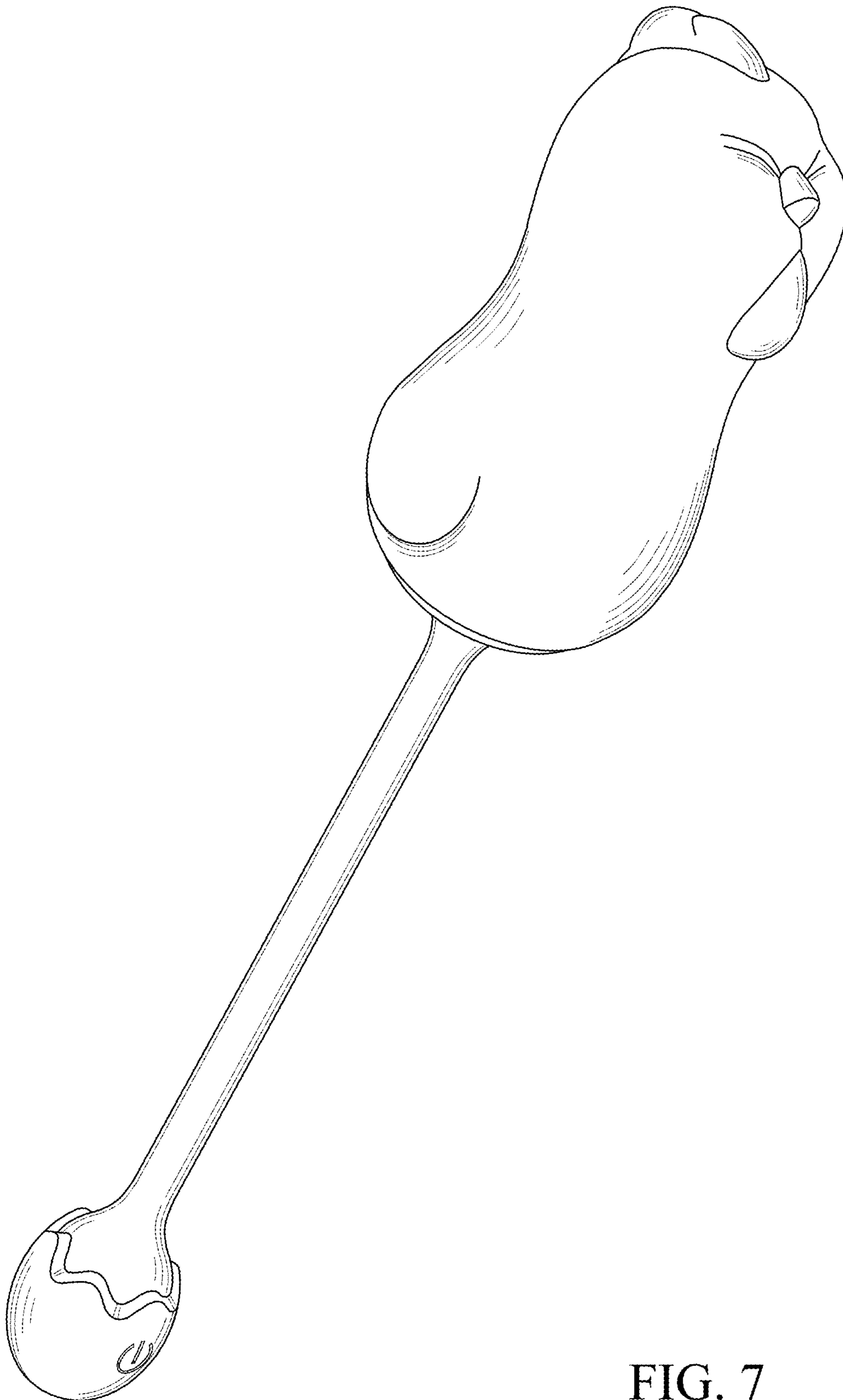


FIG. 7