



US00D857220S

(12) **United States Design Patent**
Chew

(10) **Patent No.:** **US D857,220 S**

(45) **Date of Patent:** **** Aug. 20, 2019**

(54) **CIRCADIAN OPTICS LAMP**

(71) Applicant: **Kin M. Chew**, Minneapolis, MN (US)

(72) Inventor: **Kin M. Chew**, Minneapolis, MN (US)

(**) Term: **15 Years**

(21) Appl. No.: **29/619,389**

(22) Filed: **Sep. 28, 2017**

(51) **LOC (12) Cl.** **24-01**

(52) **U.S. Cl.**
USPC **D24/210**

(58) **Field of Classification Search**
USPC D24/210; D26/1, 24, 51, 104, 106, 118,
D26/129, 132
CPC A61N 5/0616; A61N 5/0618; A61N
2005/0652; A61N 2005/0654; A61N
2005/0642; A61N 2005/0644; A61N
2005/0636; A61N 2005/0626; A61N
2005/0627; A61B 2018/00452; A61B
2018/1807

See application file for complete search history.

(56) **References Cited**

U.S. PATENT DOCUMENTS

D510,627 S *	10/2005	Lomberg	D24/209
D545,973 S *	7/2007	Powell	D24/209
D599,485 S *	9/2009	Burrows	D24/209
D611,160 S *	3/2010	Femie	D24/209
D621,541 S *	8/2010	Hamel	D26/93
D623,308 S *	9/2010	Kramer	D24/209
D652,984 S *	1/2012	Schaeken	D26/128
D684,269 S *	6/2013	Wang	D24/209
D685,514 S *	7/2013	Djajadiningrat	D26/93
D690,455 S *	9/2013	Hagenauer	D26/93

D736,943 S *	8/2015	Hagenauer	D24/210
D739,592 S *	9/2015	Hagenauer	D26/106
D807,522 S *	1/2018	Berke	D24/210

* cited by examiner

Primary Examiner — Brian N. Vinson

(74) *Attorney, Agent, or Firm* — Albert W. Watkins

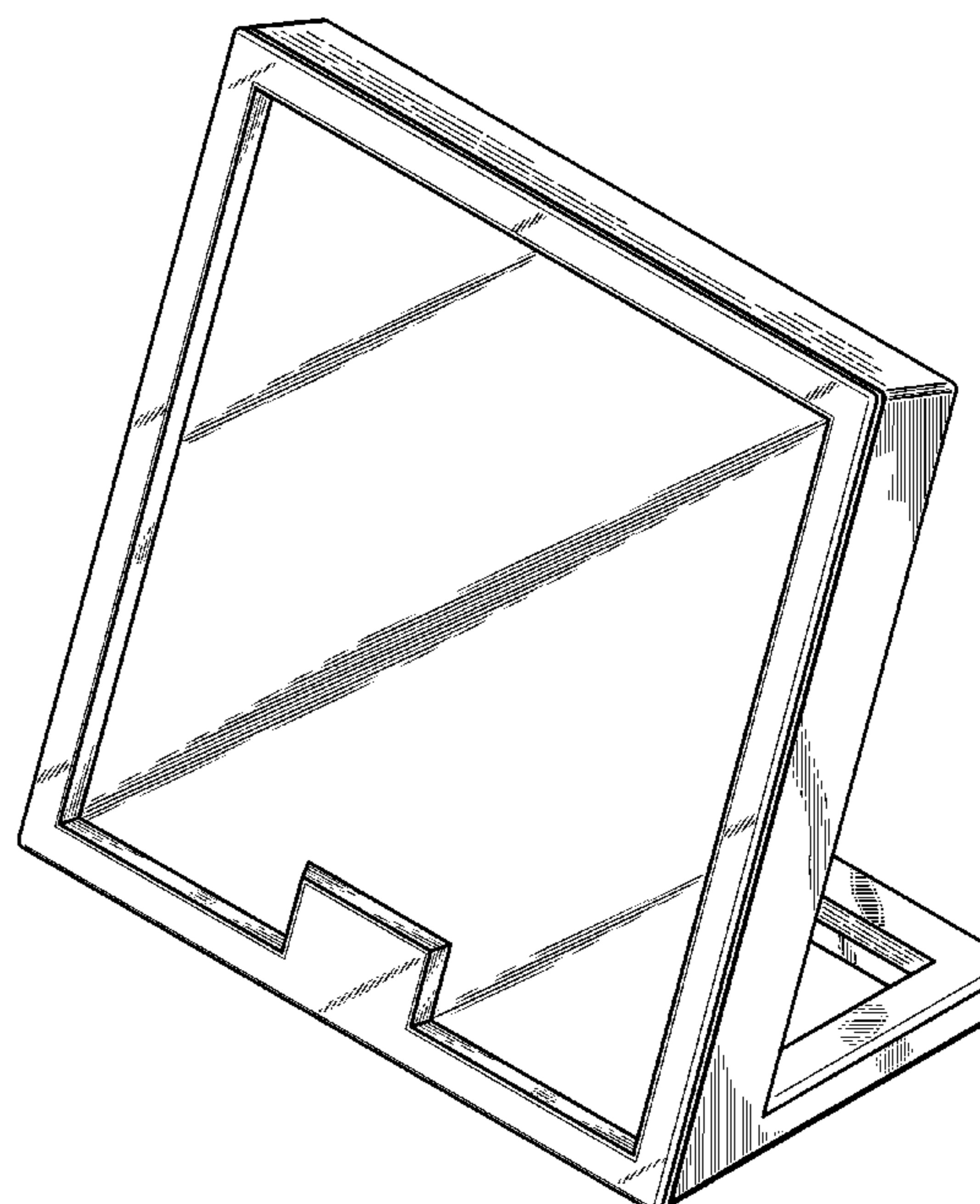
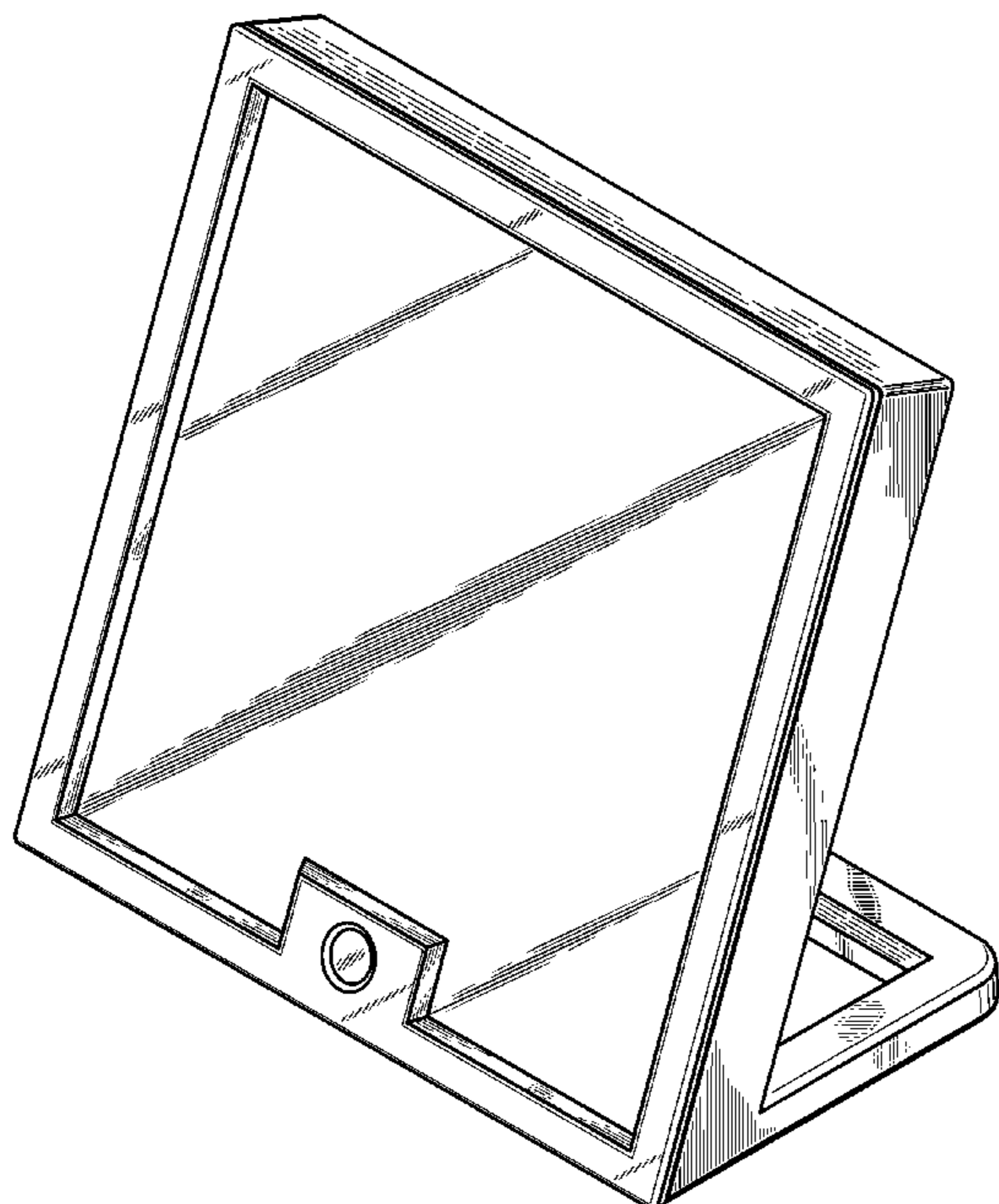
(57) **CLAIM**

The ornamental design for a circadian optics lamp, as shown and described.

DESCRIPTION

FIG. 1 is an isometric view showing a first embodiment of my new design of the circadian optics lamp;
 FIG. 2 is a front elevational view thereof;
 FIG. 3 is a left side elevational view, with the right side elevational view being a mirror image thereof;
 FIG. 4 is a top plan view;
 FIG. 5 is a bottom plan view;
 FIG. 6 is a back elevational view;
 FIG. 7 is an isometric view showing a second embodiment of my new design;
 FIG. 8 is a front elevational view of the second embodiment;
 FIG. 9 is a left side elevational view of the second embodiment, with the right side elevational view being a mirror image thereof;
 FIG. 10 is a top plan view of the second embodiment;
 FIG. 11 is a bottom plan view of the second embodiment;
 and,
 FIG. 12 is a back elevational view of the second embodiment.

1 Claim, 10 Drawing Sheets



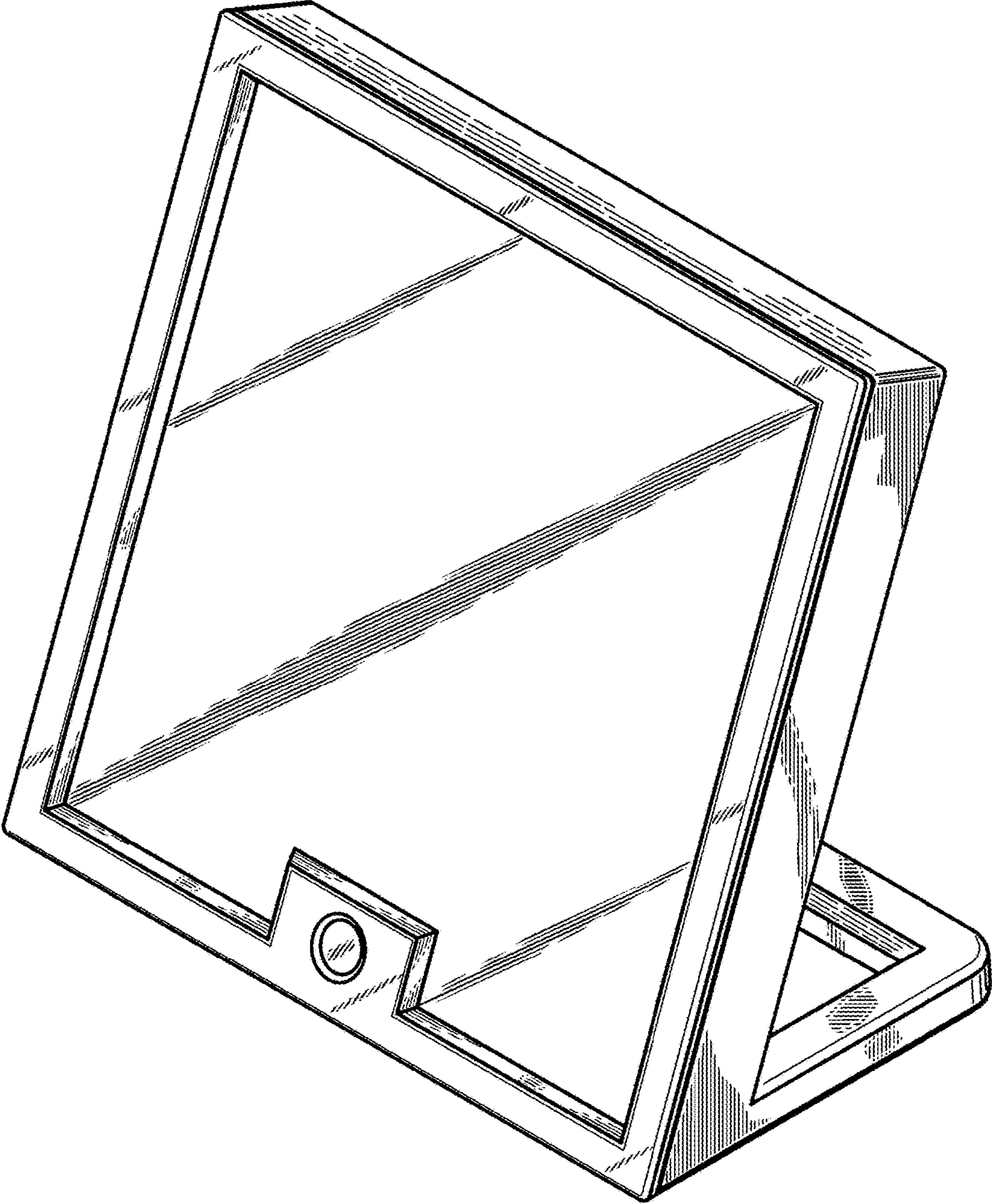


FIG. 1

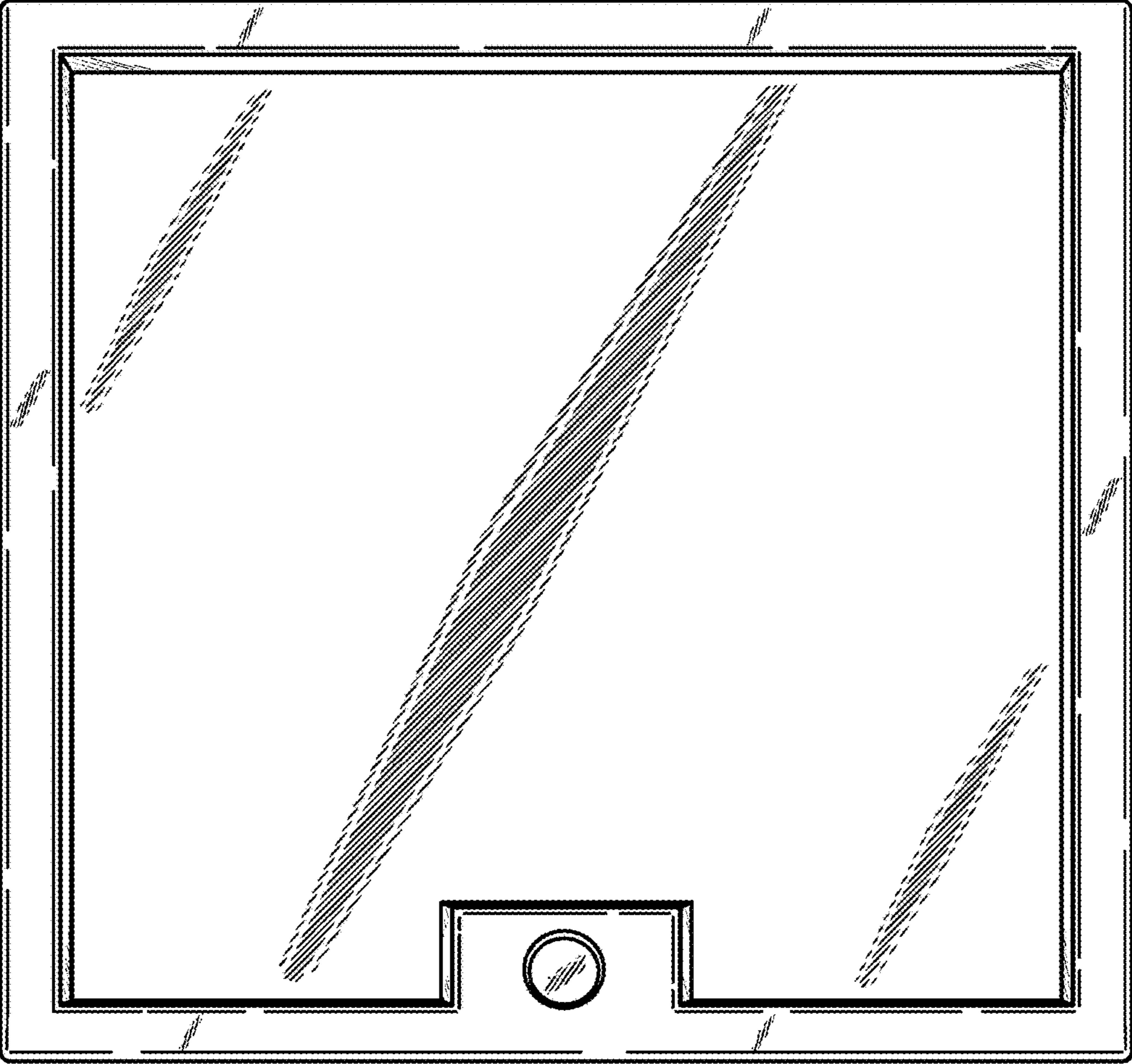


FIG. 2

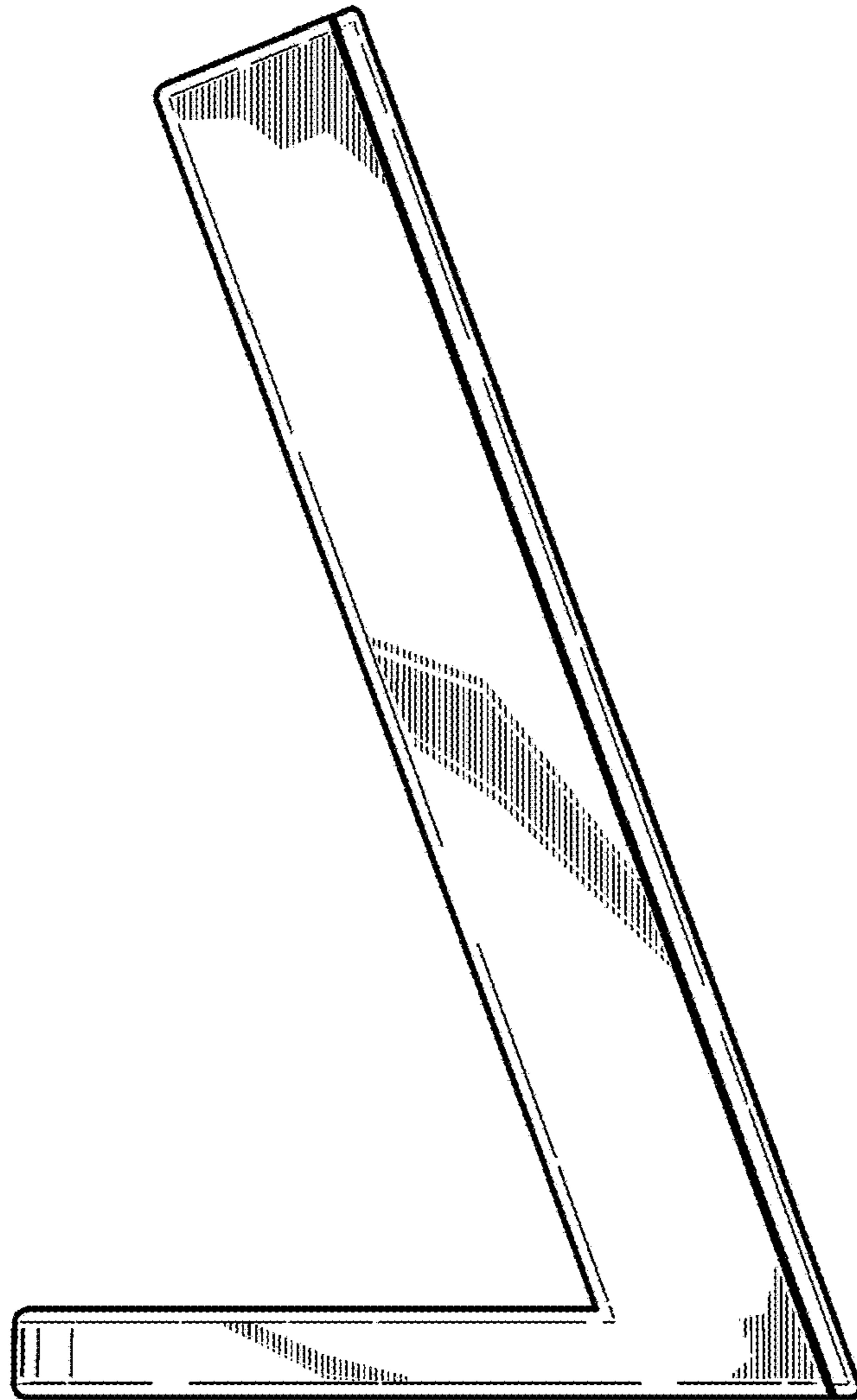


FIG. 3

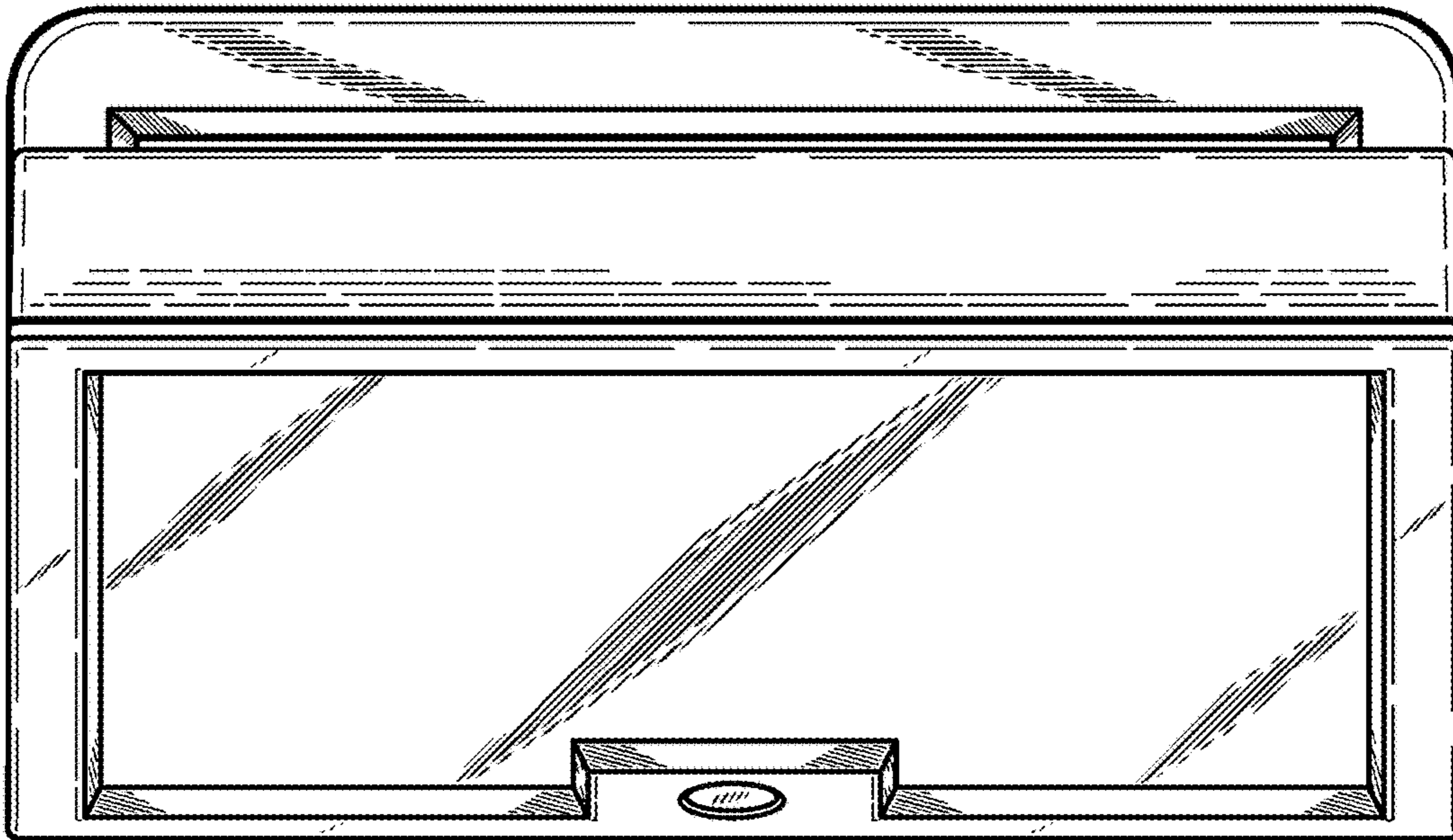


FIG. 4

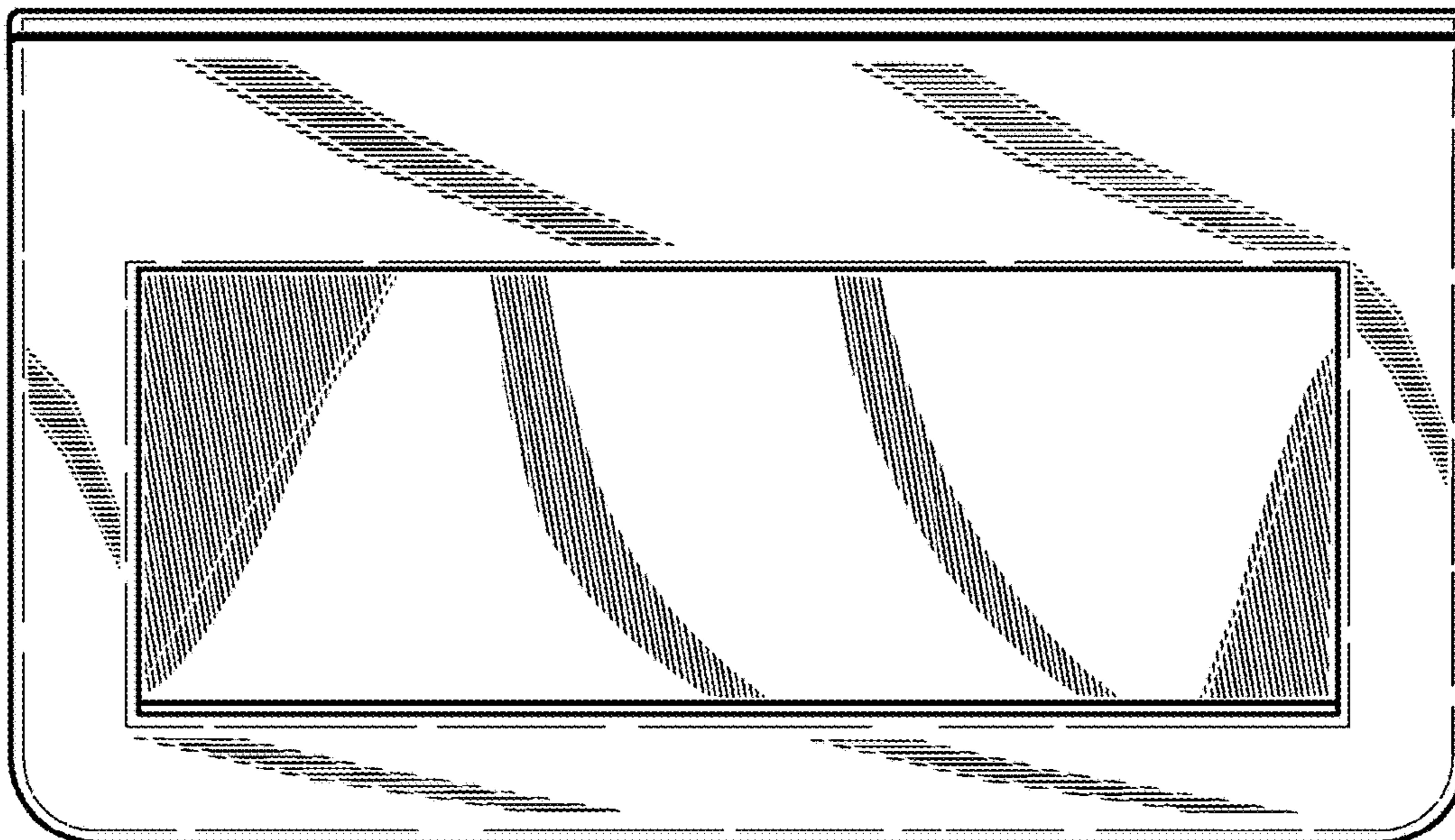


FIG. 5

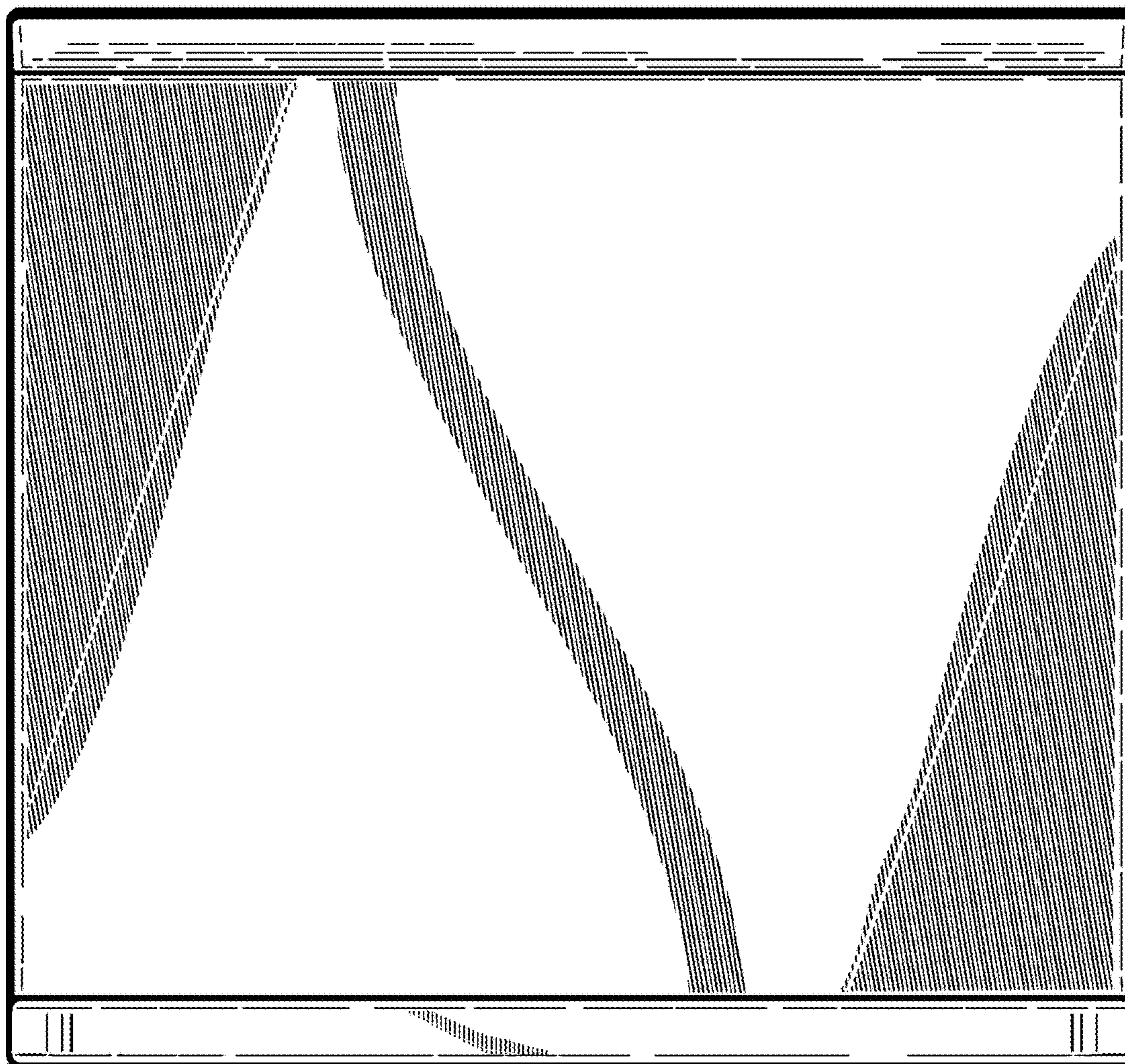


FIG. 6

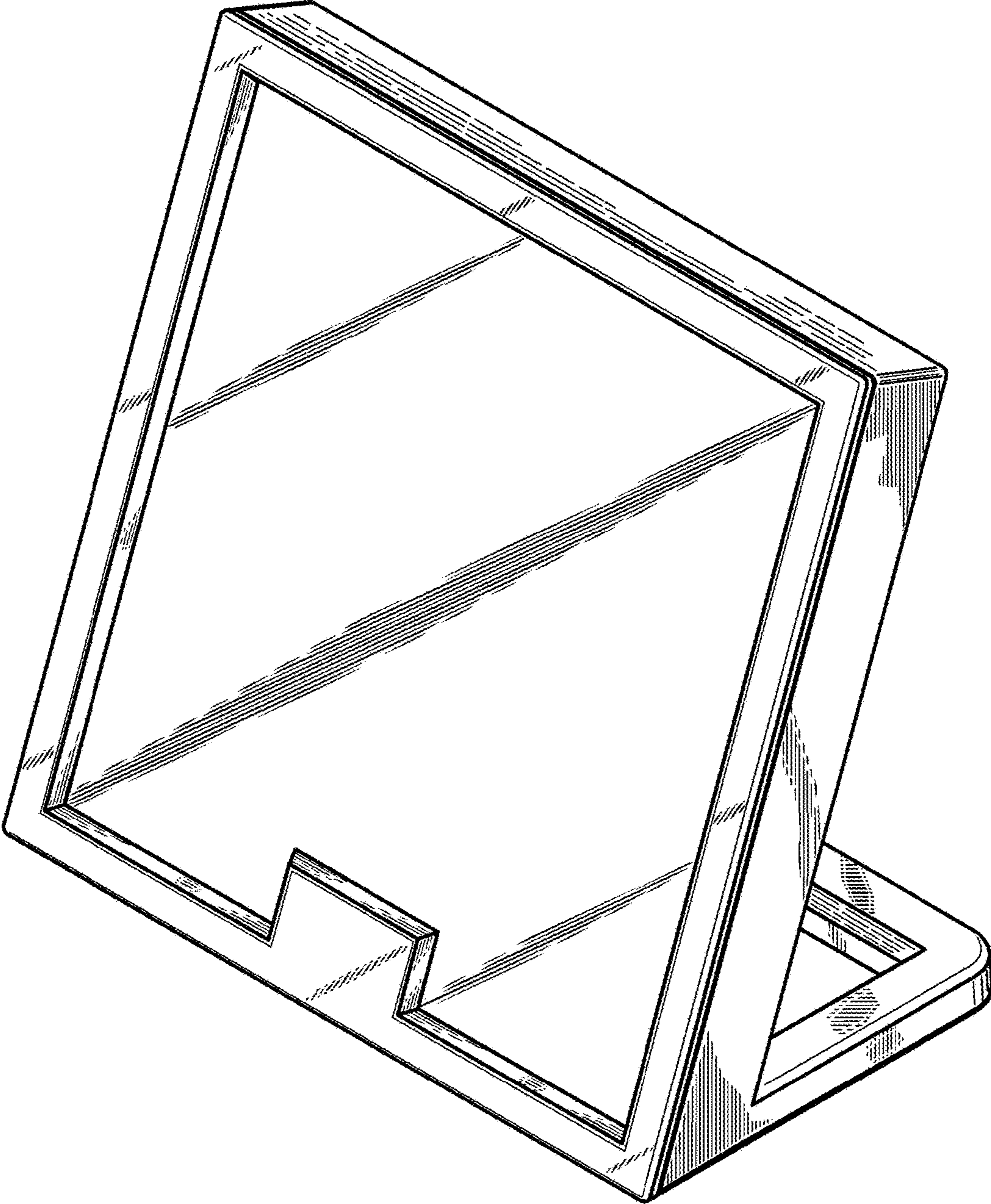


FIG. 7

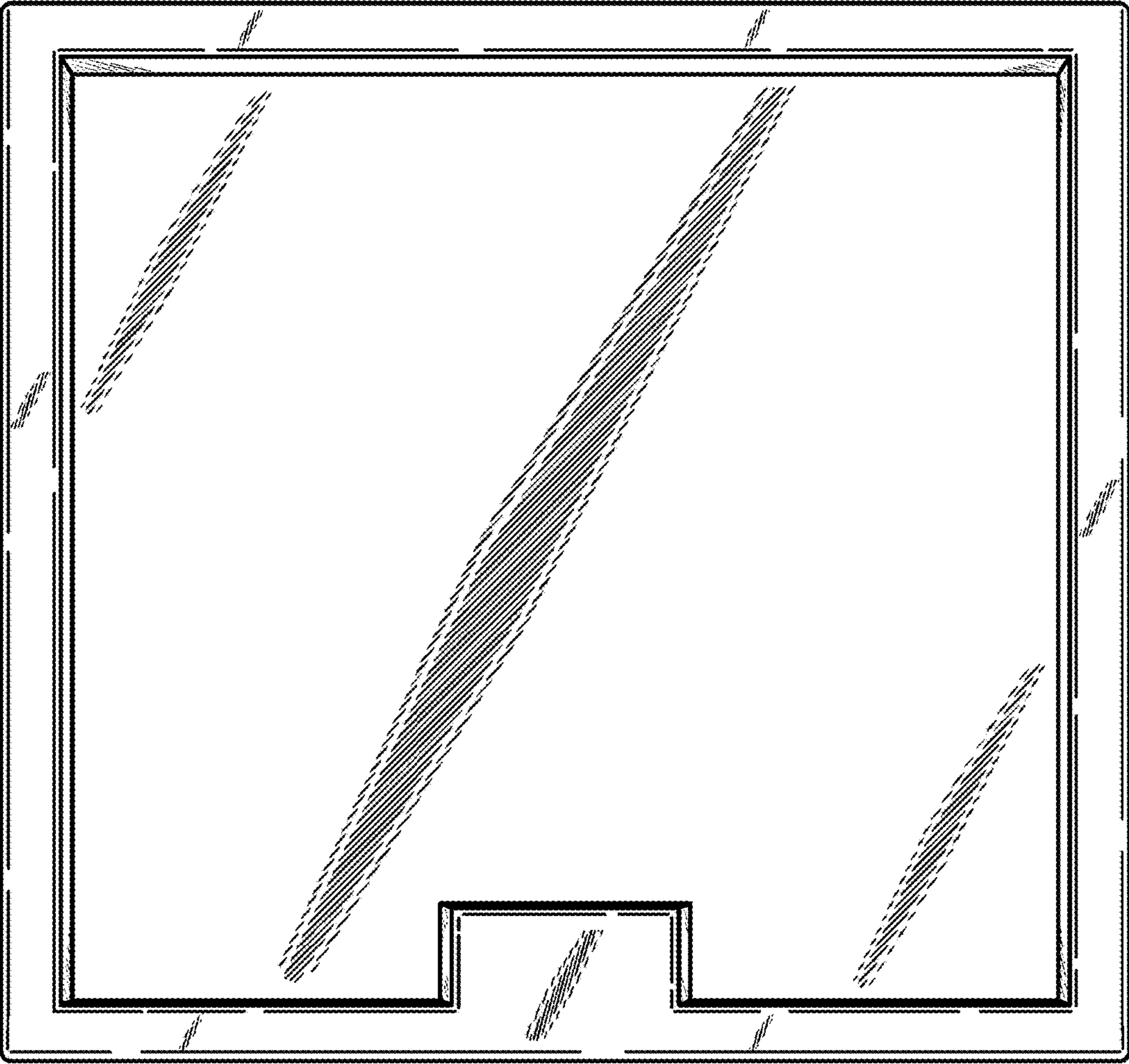


FIG. 8

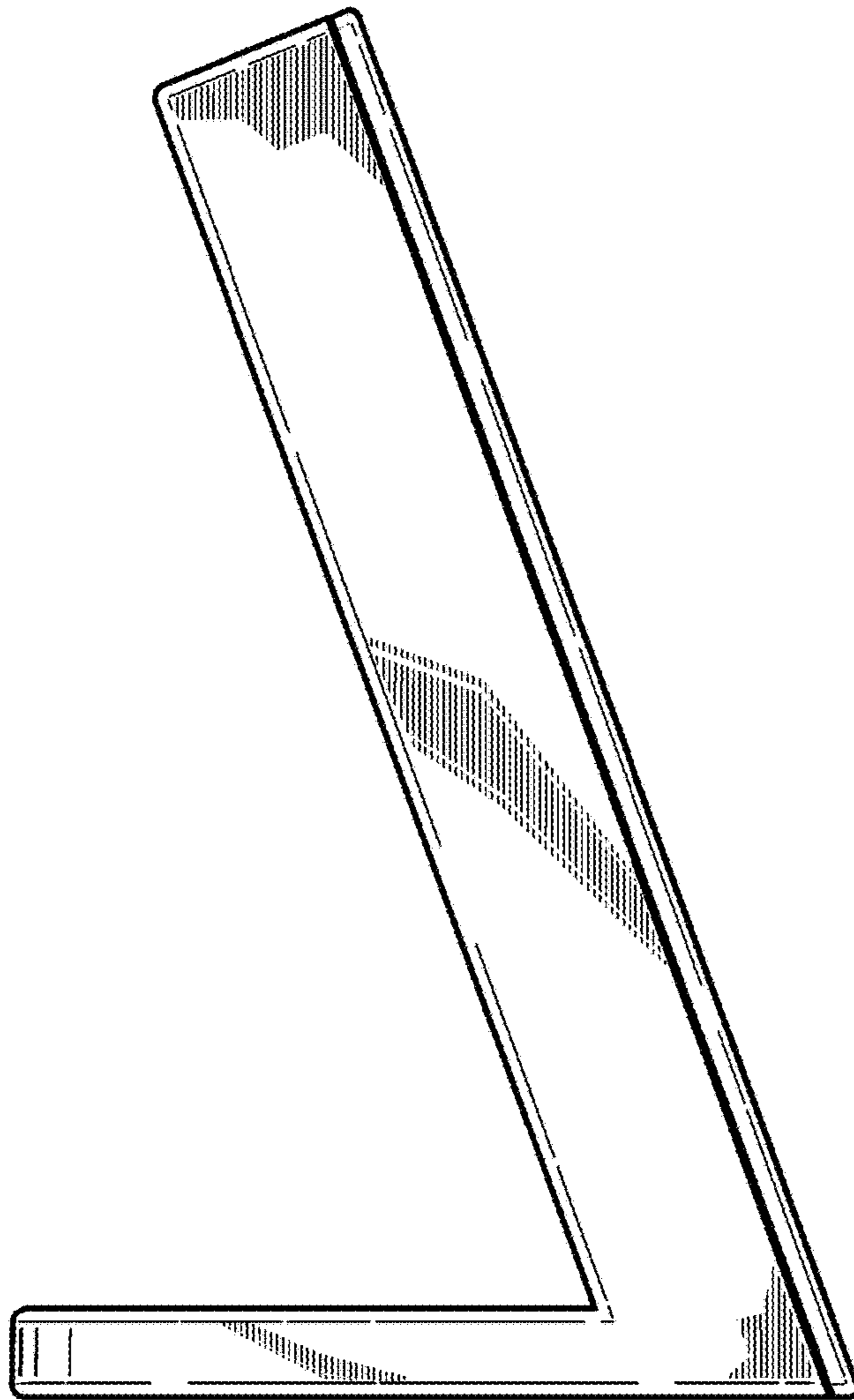


FIG. 9

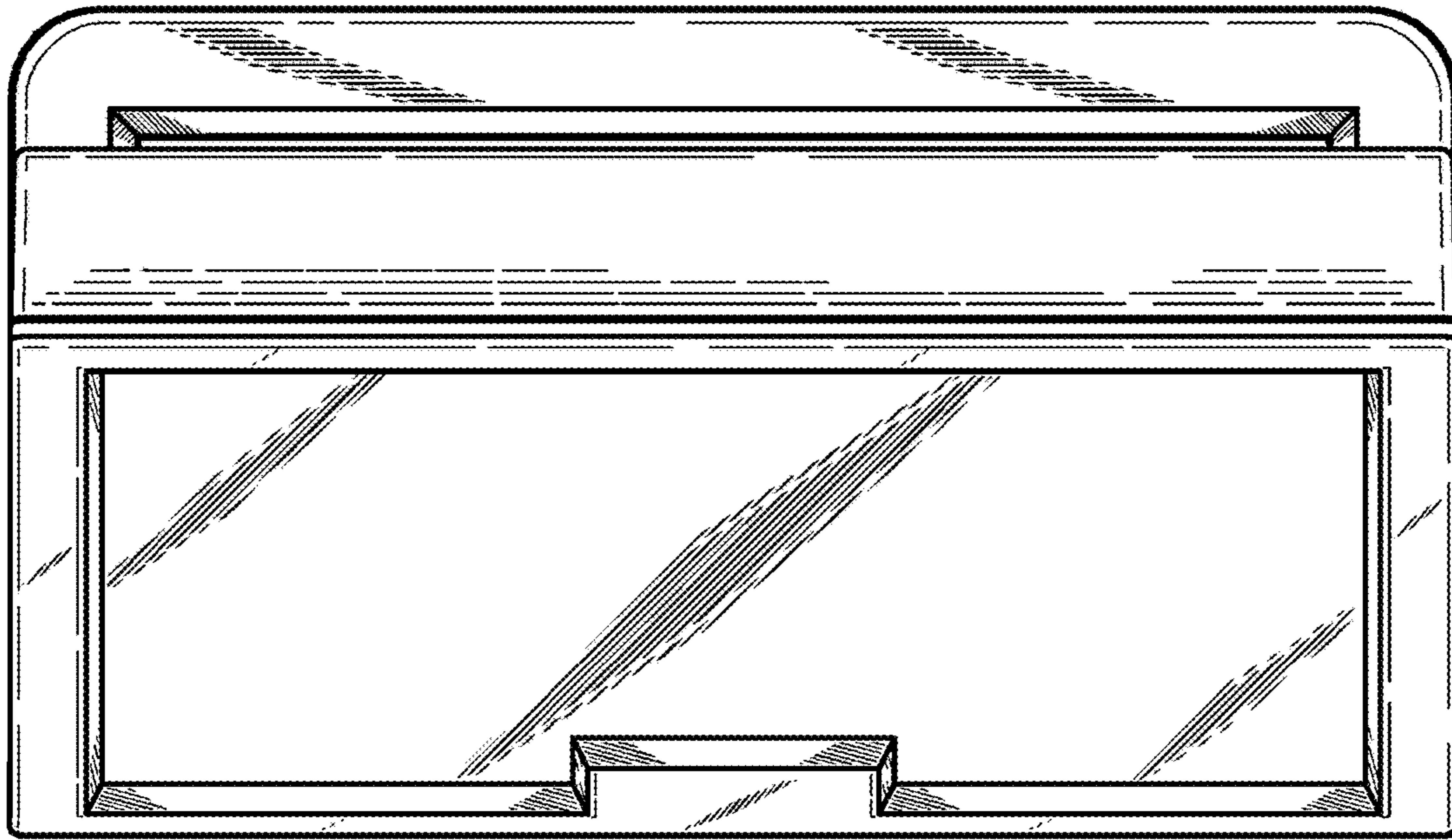


FIG. 10

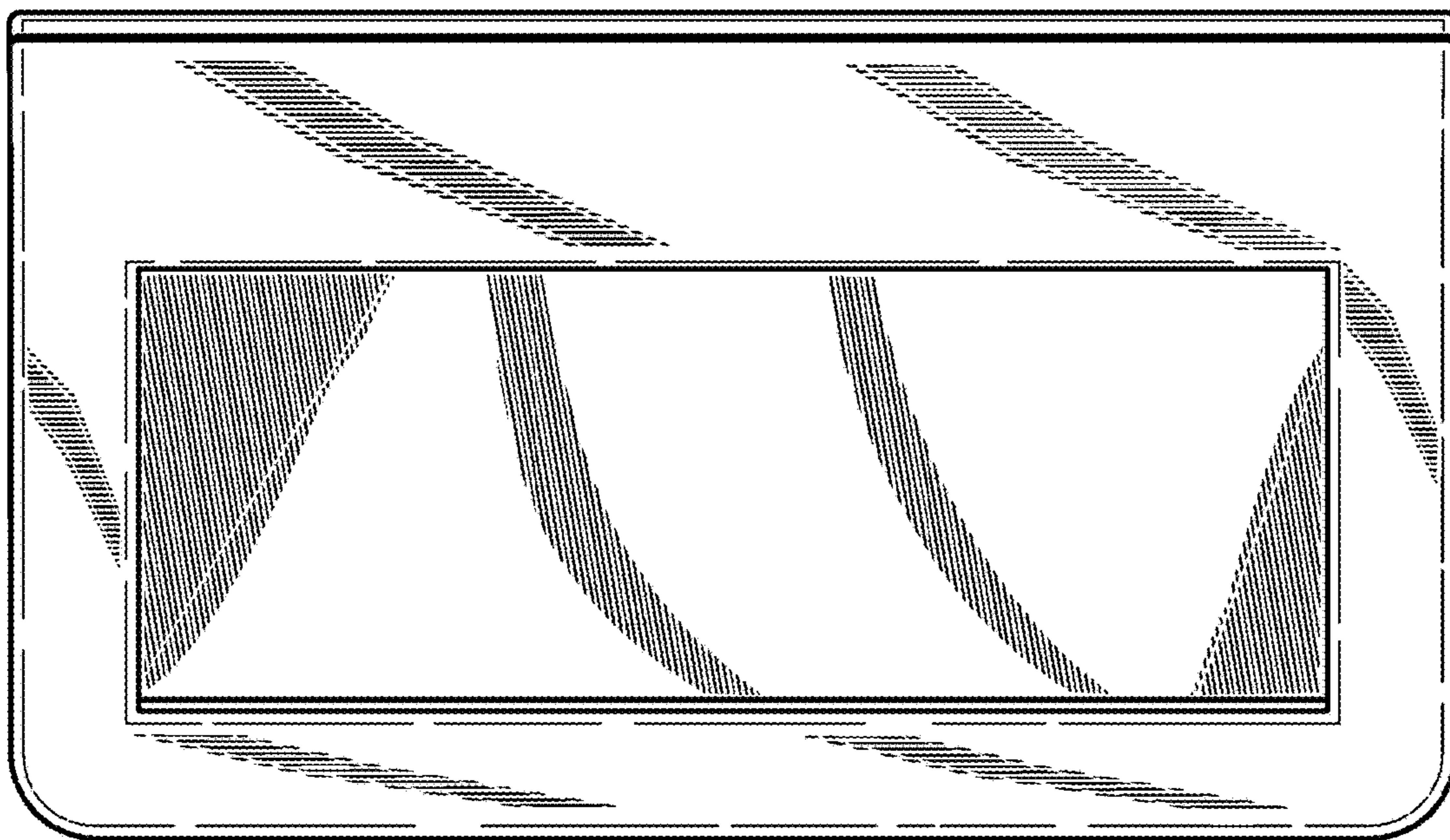


FIG. 11

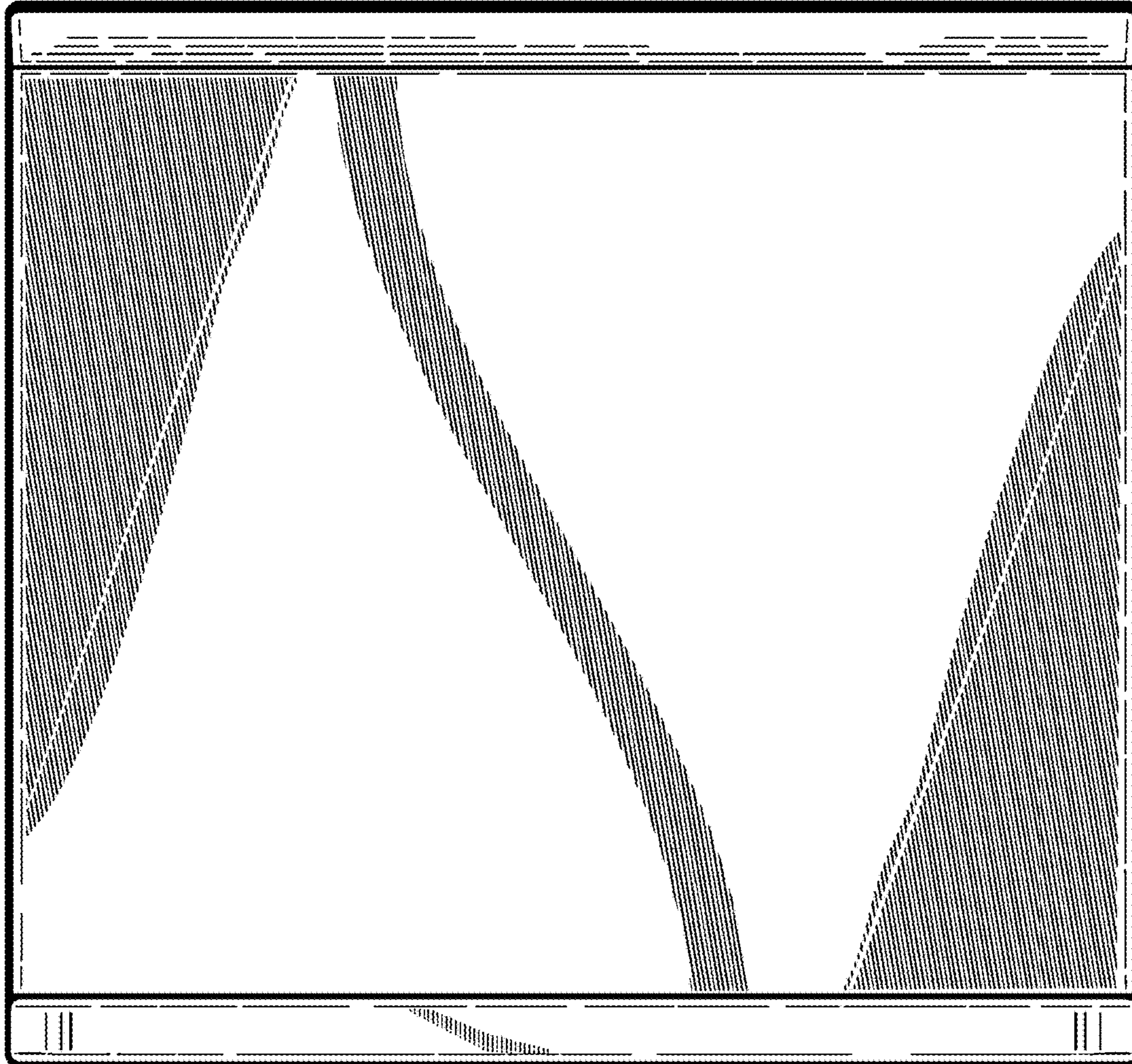


FIG. 12