



US00D857215S

(12) **United States Design Patent** (10) **Patent No.:** **US D857,215 S**
Lin (45) **Date of Patent:** **** Aug. 20, 2019**

- (54) **WAX WARMER**
- (71) Applicant: **Cheng-Wei Lin**, Tainan (TW)
- (72) Inventor: **Cheng-Wei Lin**, Tainan (TW)
- (**) Term: **15 Years**
- (21) Appl. No.: **29/672,334**
- (22) Filed: **Dec. 5, 2018**
- (51) **LOC (12) Cl.** **28-03**
- (52) **U.S. Cl.**
USPC **D24/200**
- (58) **Field of Classification Search**
USPC D24/200, 204; D7/378, 323, 386;
607/108, 96, 104, 111
CPC A61F 7/00; A61F 7/0053; A61F 7/007;
A61F 2007/0001; A61F 2007/0003; A61F
2007/0004; A61F 2007/0024; A61F
2007/0025; A61F 2007/0026; A61F
2007/0027; A61F 2007/0029; A61F
2007/0031; A61F 2007/034; A61F
2007/0039; A61F 2007/0041; A61F
2007/0043; H05B 1/02; H05B 3/26;
H05B 3/0052; A47J 36/2433; A47J
27/004; A61L 9/03; A61L 9/012
See application file for complete search history.

D455,214 S	4/2002	Ferber et al.	
D478,384 S *	8/2003	Lie	D24/200
D735,255 S	7/2015	Sickinger et al.	
D789,136 S	6/2017	Russillo	
10,086,102 B2 *	10/2018	Belongia	A61L 9/03
D838,859 S *	1/2019	Yu	D24/200
2017/0238364 A1 *	8/2017	Belongia	A61L 9/03 219/422

* cited by examiner

Primary Examiner — Wan Laymon
(74) *Attorney, Agent, or Firm* — KA Filing LLC; Wayne V. Harper

(57) **CLAIM**

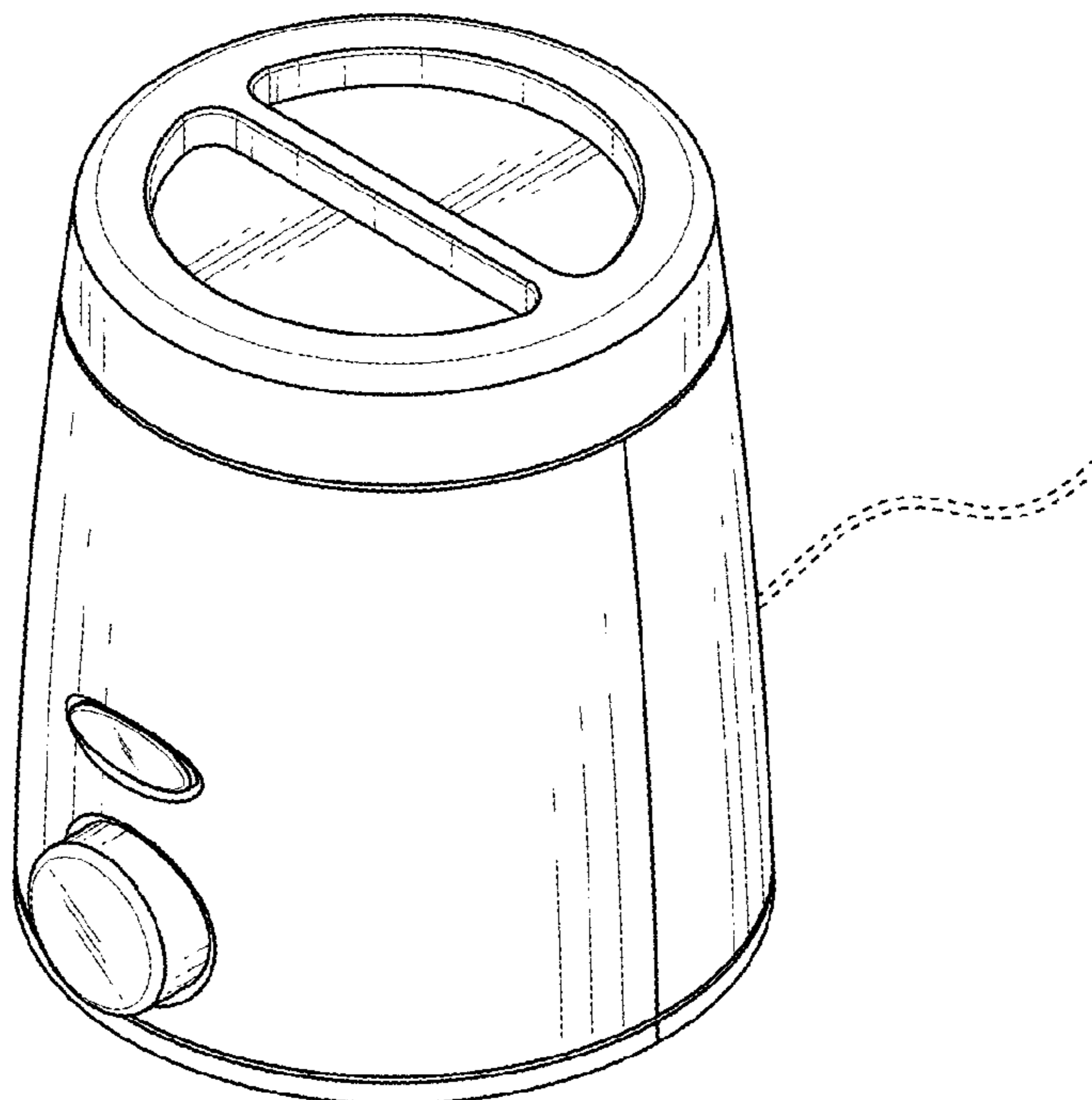
The ornamental design for a wax warmer, as shown and described.

DESCRIPTION

FIG. 1 is a perspective view of a wax warmer showing my new design;
 FIG. 2 is Front-side view of the wax warmer as shown in FIG. 1;
 FIG. 3 is a Back-side view of the wax warmer as shown in FIG. 1;
 FIG. 4 is a Left-right side view of the wax warmer as shown in FIG. 1;
 FIG. 5 is a top-side view of the wax warmer as shown in FIG. 1; and,
 FIG. 6 is a bottom-side view of the wax warmer as shown in FIG. 1.
 The broken lines in the drawings illustrate environmental structure on the wax warmer and form no part of the claimed design.

- (56) **References Cited**
U.S. PATENT DOCUMENTS
5,107,832 A * 4/1992 Guibert A61F 7/00
607/96
D442,284 S * 5/2001 Ferber D24/200

1 Claim, 4 Drawing Sheets



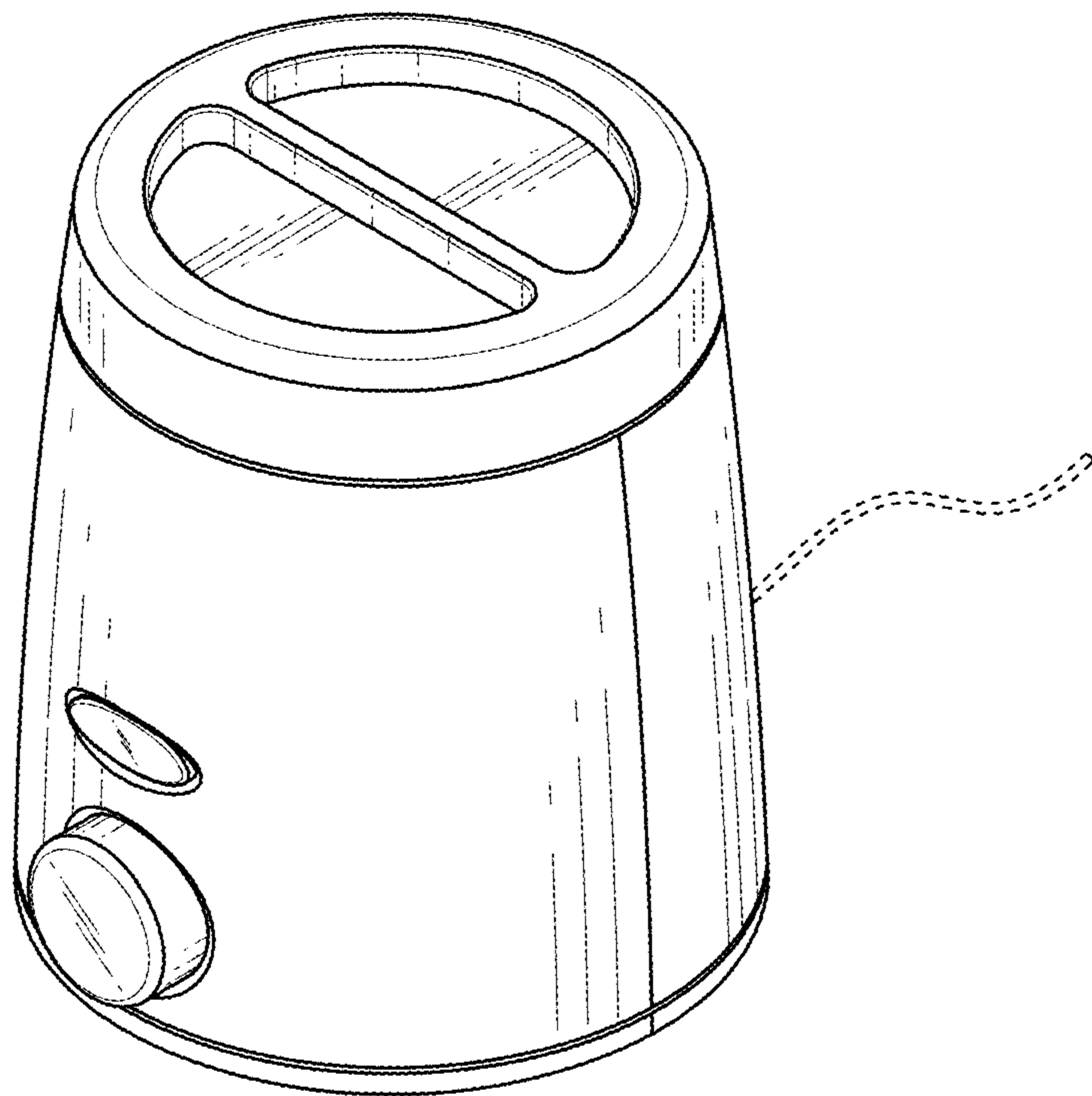


FIG. 1

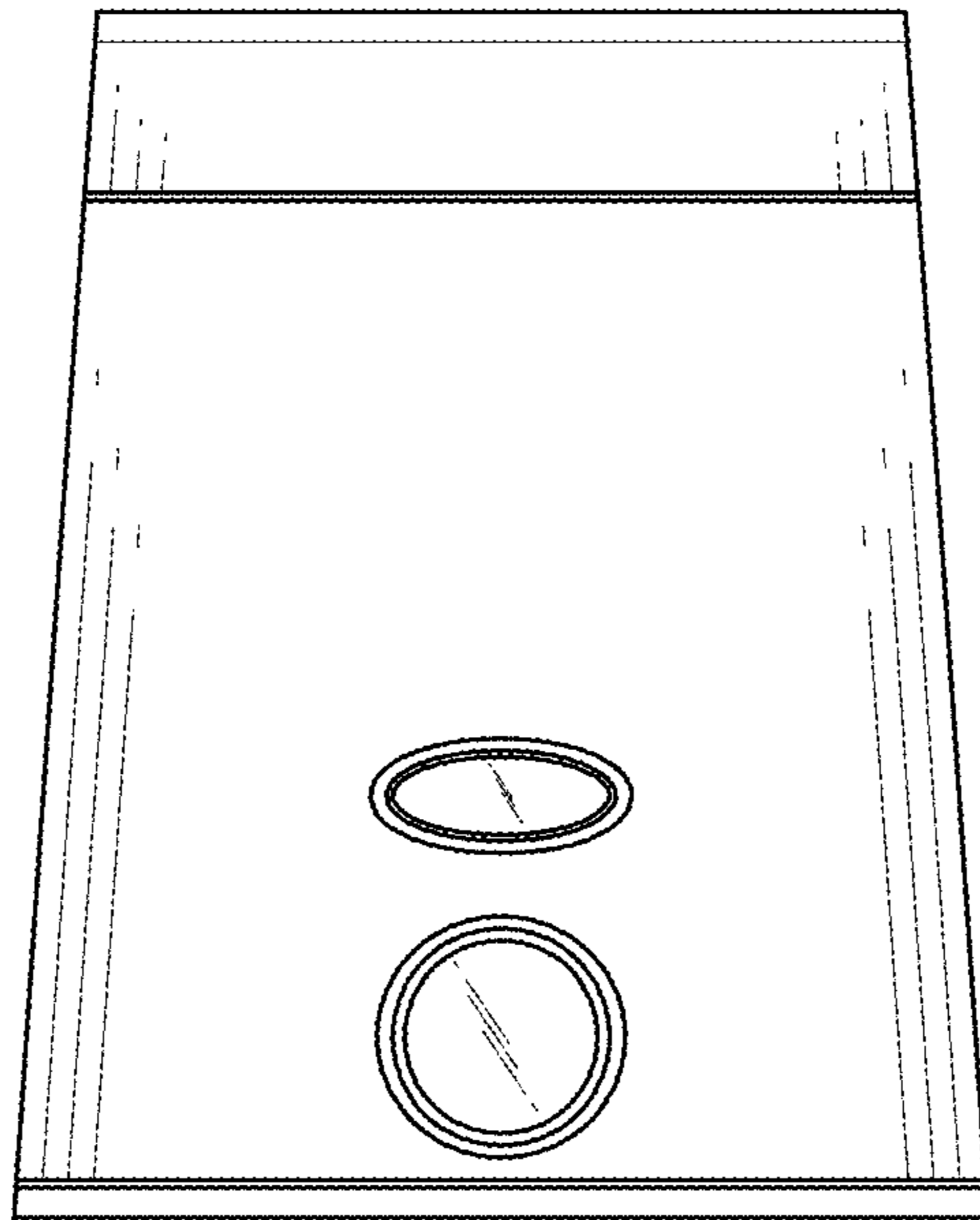


FIG. 2

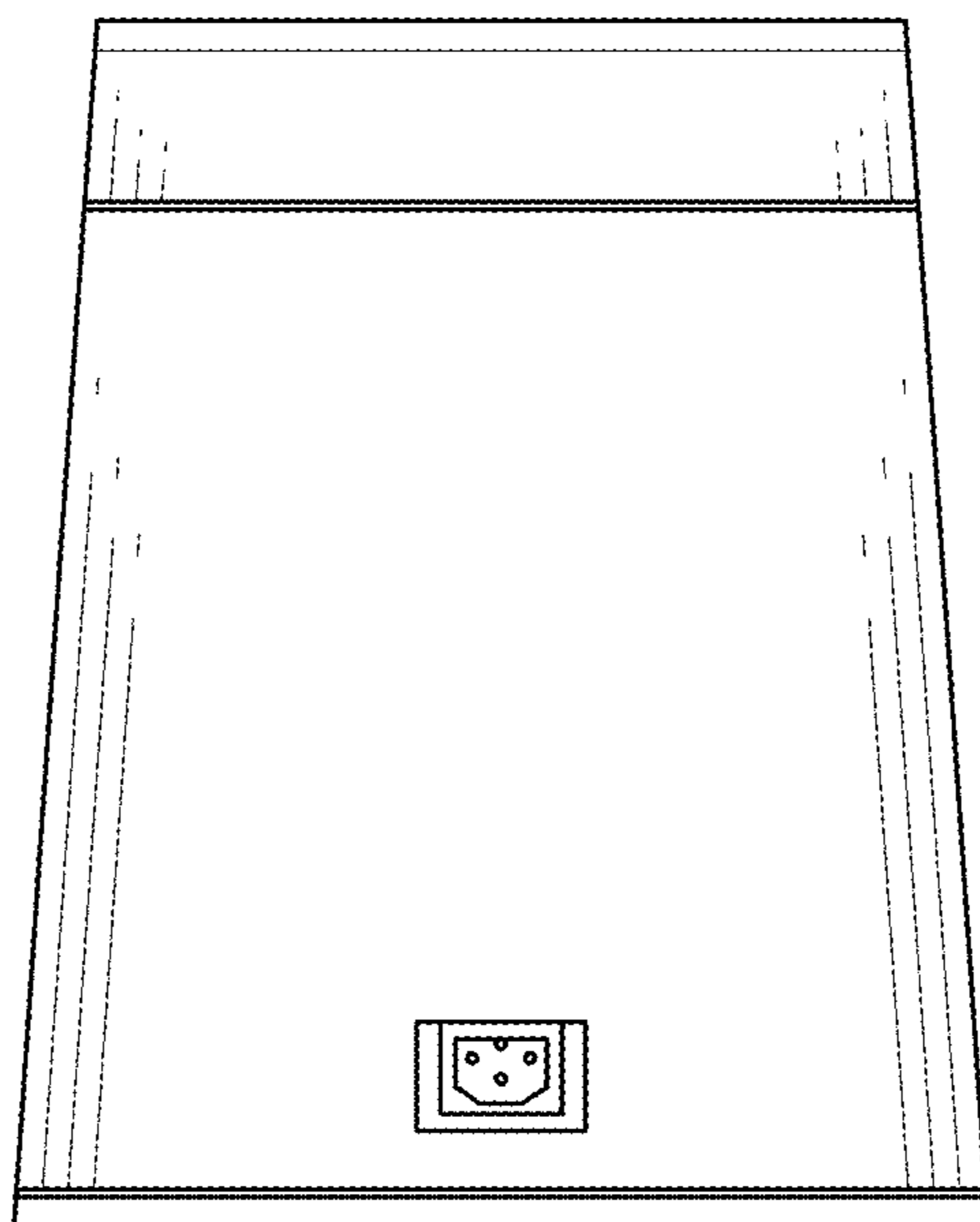


FIG. 3

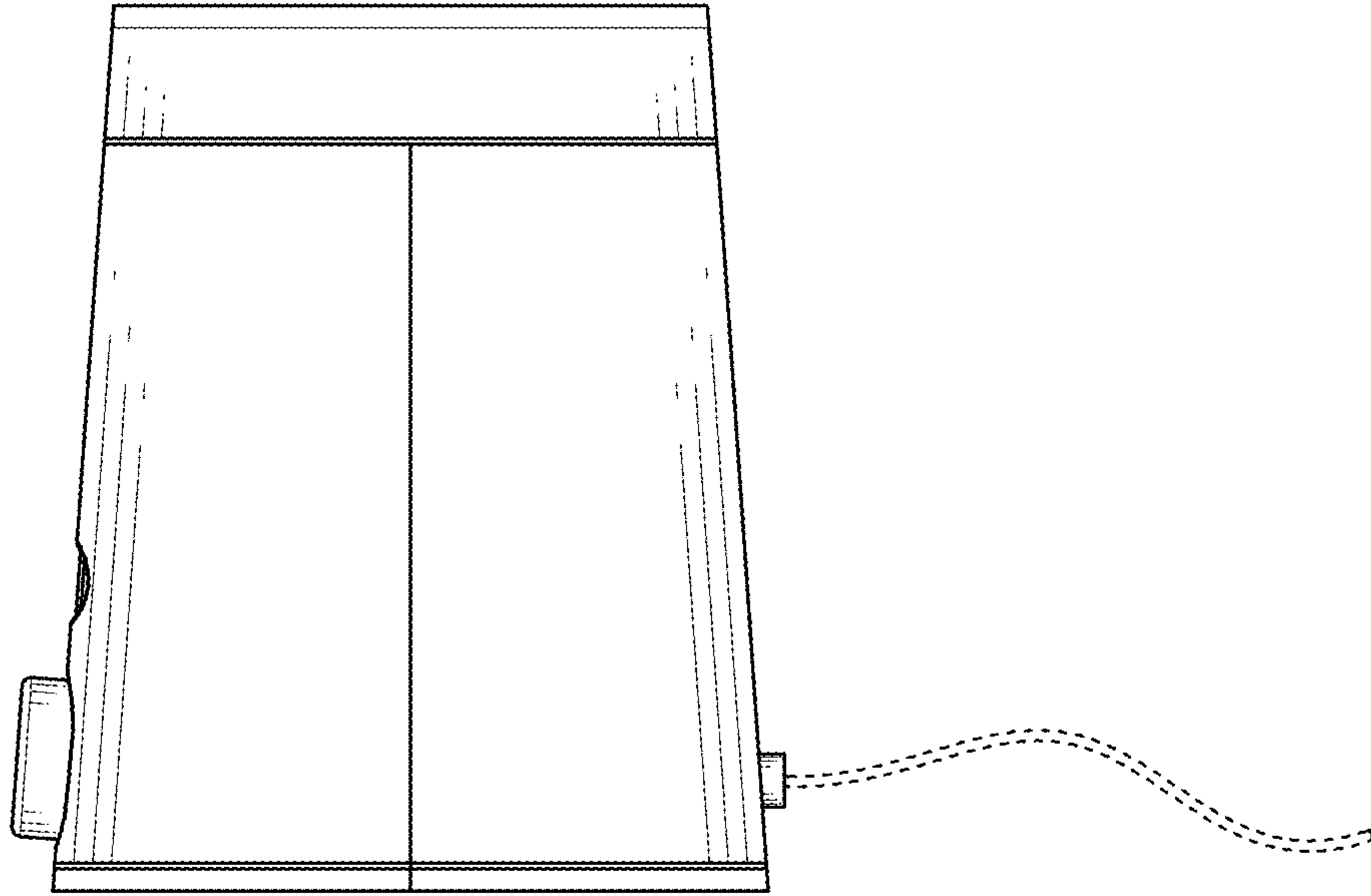


FIG. 4

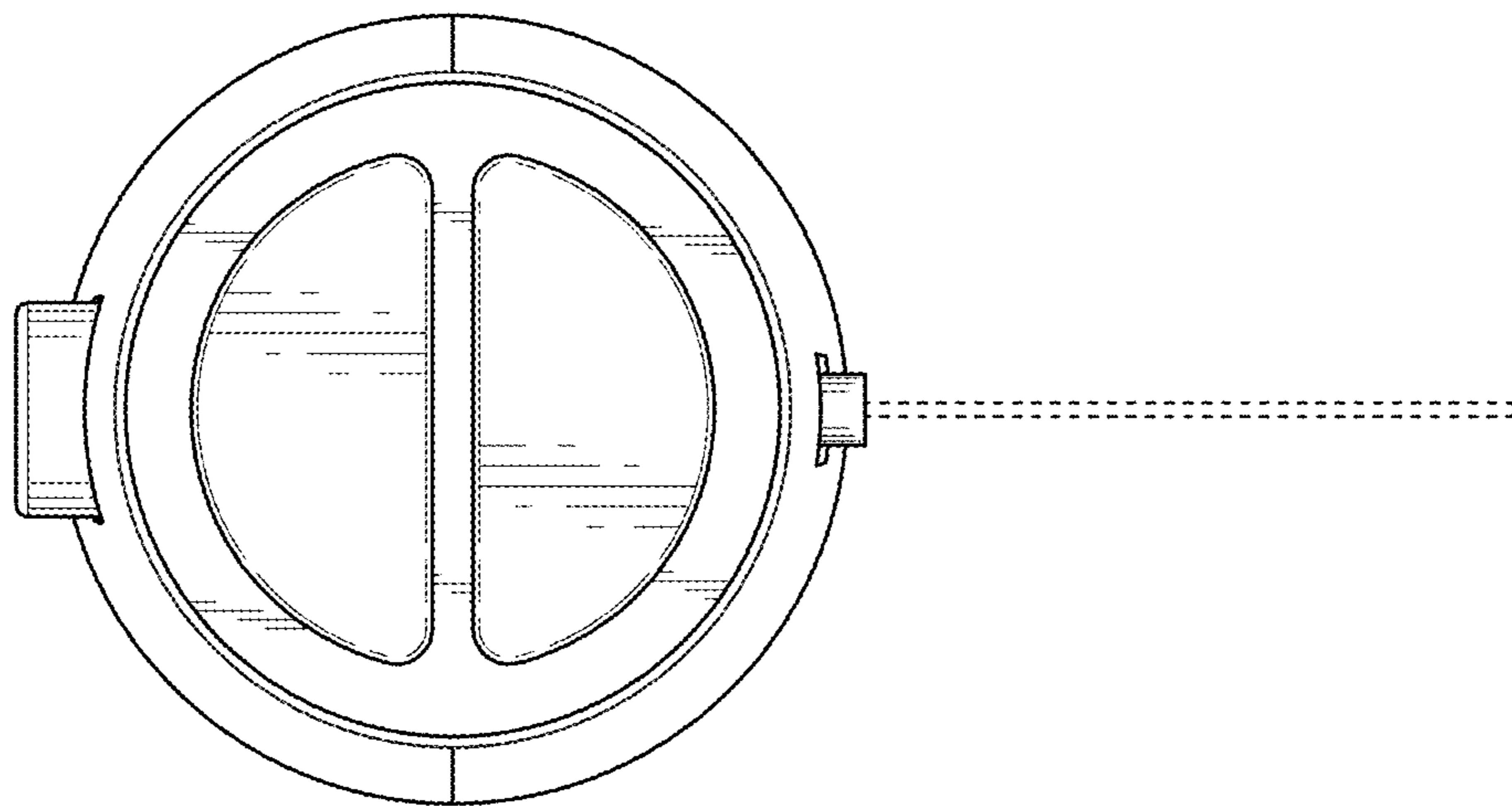


FIG. 5

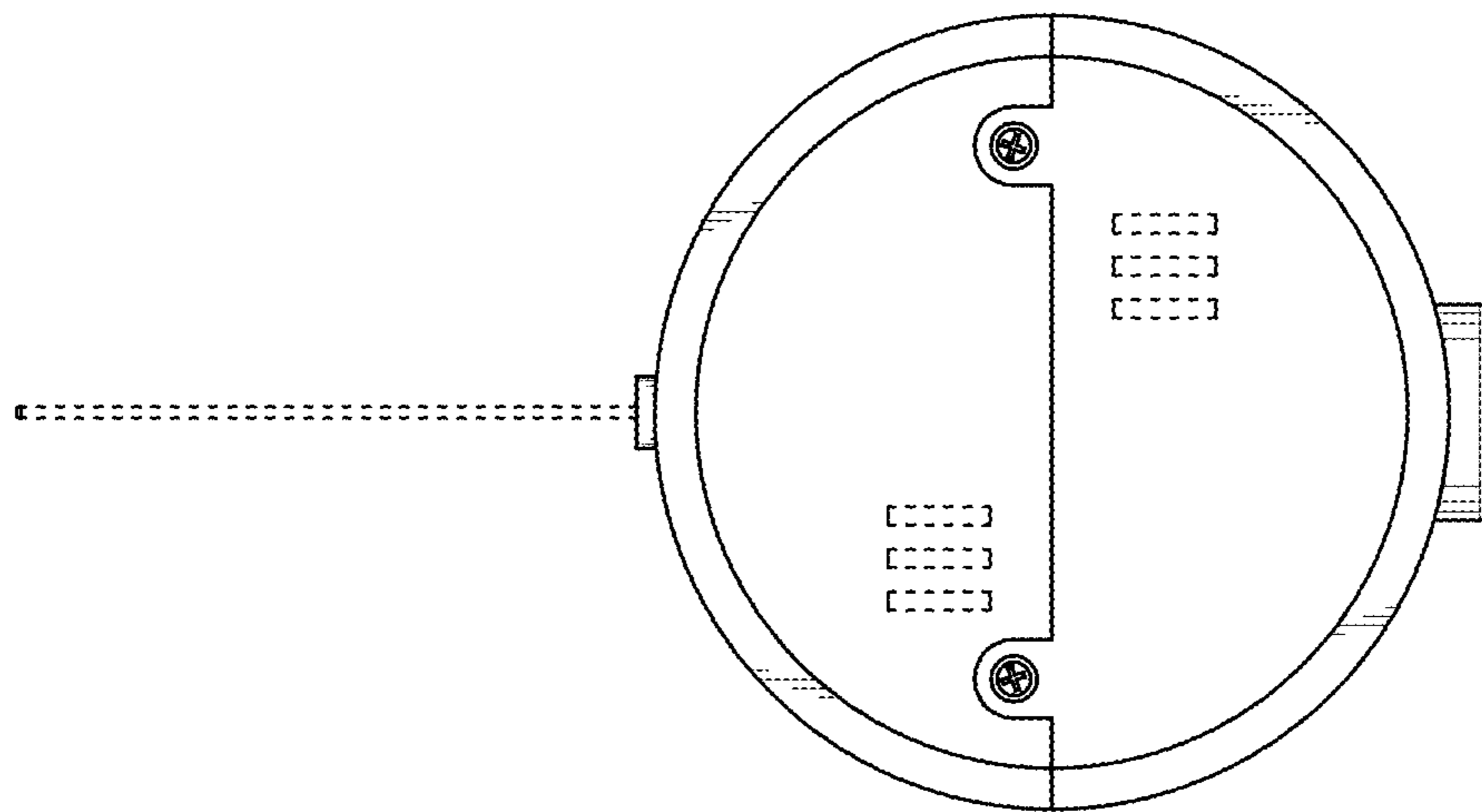


FIG. 6