



US00D857213S

(12) **United States Design Patent**
Eppele, II

(10) **Patent No.:** **US D857,213 S**

(45) **Date of Patent:** **** Aug. 20, 2019**

(54) **WRIST BRACE**

(71) Applicant: **Robert J. Eppele, II**, Long Beach, CA
(US)

(72) Inventor: **Robert J. Eppele, II**, Long Beach, CA
(US)

(**) Term: **15 Years**

(21) Appl. No.: **29/597,735**

(22) Filed: **Mar. 20, 2017**

(51) **LOC (12) Cl.** **24-04**

(52) **U.S. Cl.**
USPC **D24/190**

(58) **Field of Classification Search**
USPC D24/188, 190-192; D8/354
See application file for complete search history.

(56) **References Cited**

U.S. PATENT DOCUMENTS

D362,914 S *	10/1995	Mann	D24/190
D528,659 S *	9/2006	Cherfas	D24/105
D530,820 S *	10/2006	Muehlenberend	D24/190
D536,796 S *	2/2007	Hargrave	D24/190
D573,714 S *	7/2008	Bybee	D24/190
D582,258 S *	12/2008	Ripley	D8/354
D665,088 S *	8/2012	Joseph	D24/190
D674,477 S *	1/2013	Beresford-Wylie	D24/105

D709,615 S *	7/2014	Ruel	D24/192
D757,277 S *	5/2016	Chen	D24/190
D790,716 S *	6/2017	Hinds	D24/190
D835,792 S *	12/2018	Erwin	D24/190
2018/0055672 A1 *	3/2018	Erwin	A61F 5/0118

* cited by examiner

Primary Examiner — Jennifer L Watkins

(74) *Attorney, Agent, or Firm* — Dunlap Bennett & Ludwig PLLC

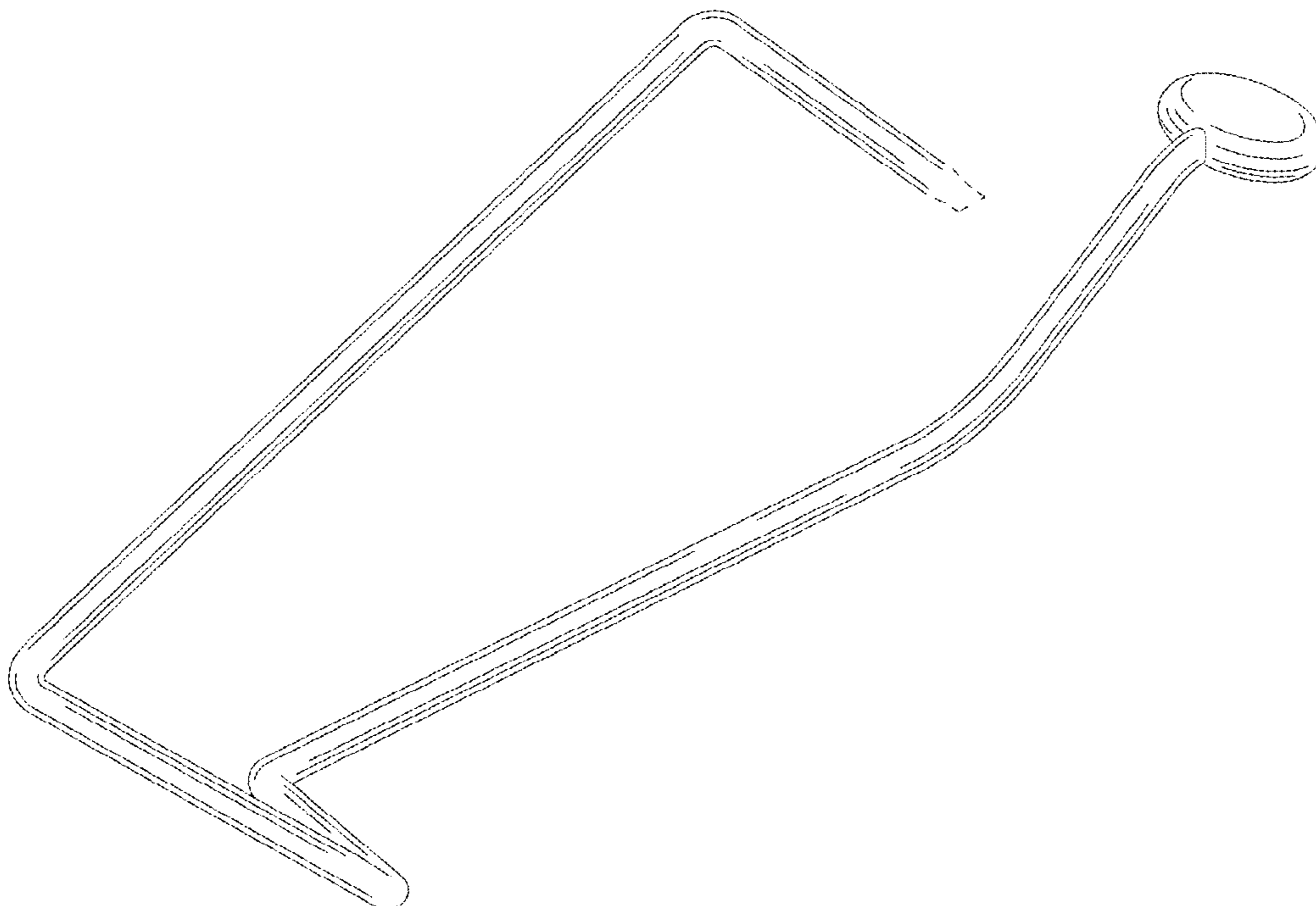
(57) **CLAIM**

The ornamental design for a wrist brace, as shown and described.

DESCRIPTION

FIG. 1 is a top front perspective view of a wrist brace, showing my new design;
FIG. 2 is a front elevation view thereof;
FIG. 3 is a rear elevation view thereof;
FIG. 4 is a right side elevation view thereof;
FIG. 5 is a left side elevation view thereof;
FIG. 6 is a top plan view thereof; and,
FIG. 7 is a bottom plan view thereof.
The broken lines shown in the drawings depict portions of the wrist brace that form no part of the claimed design.

1 Claim, 3 Drawing Sheets



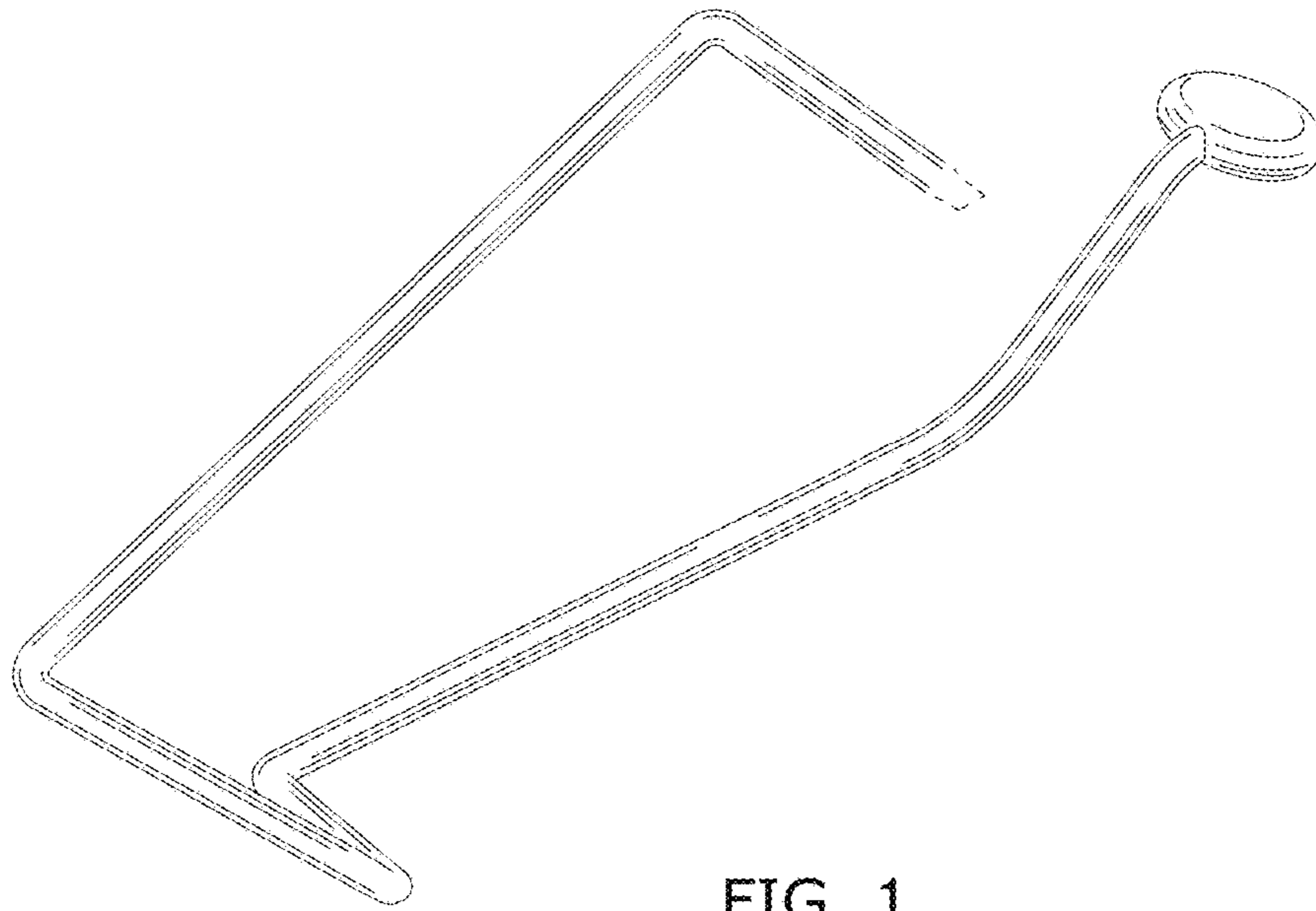


FIG. 1

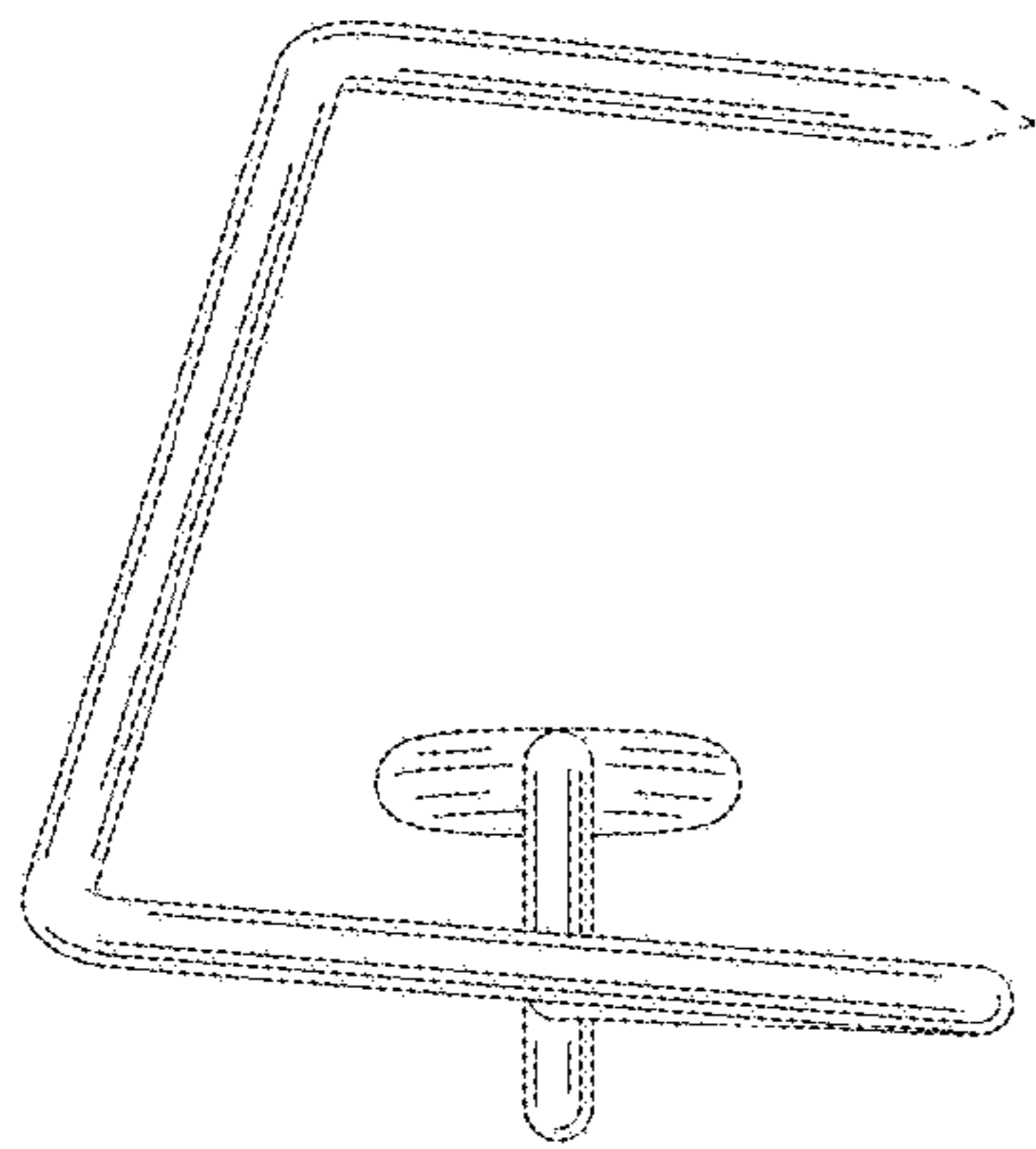


FIG. 2

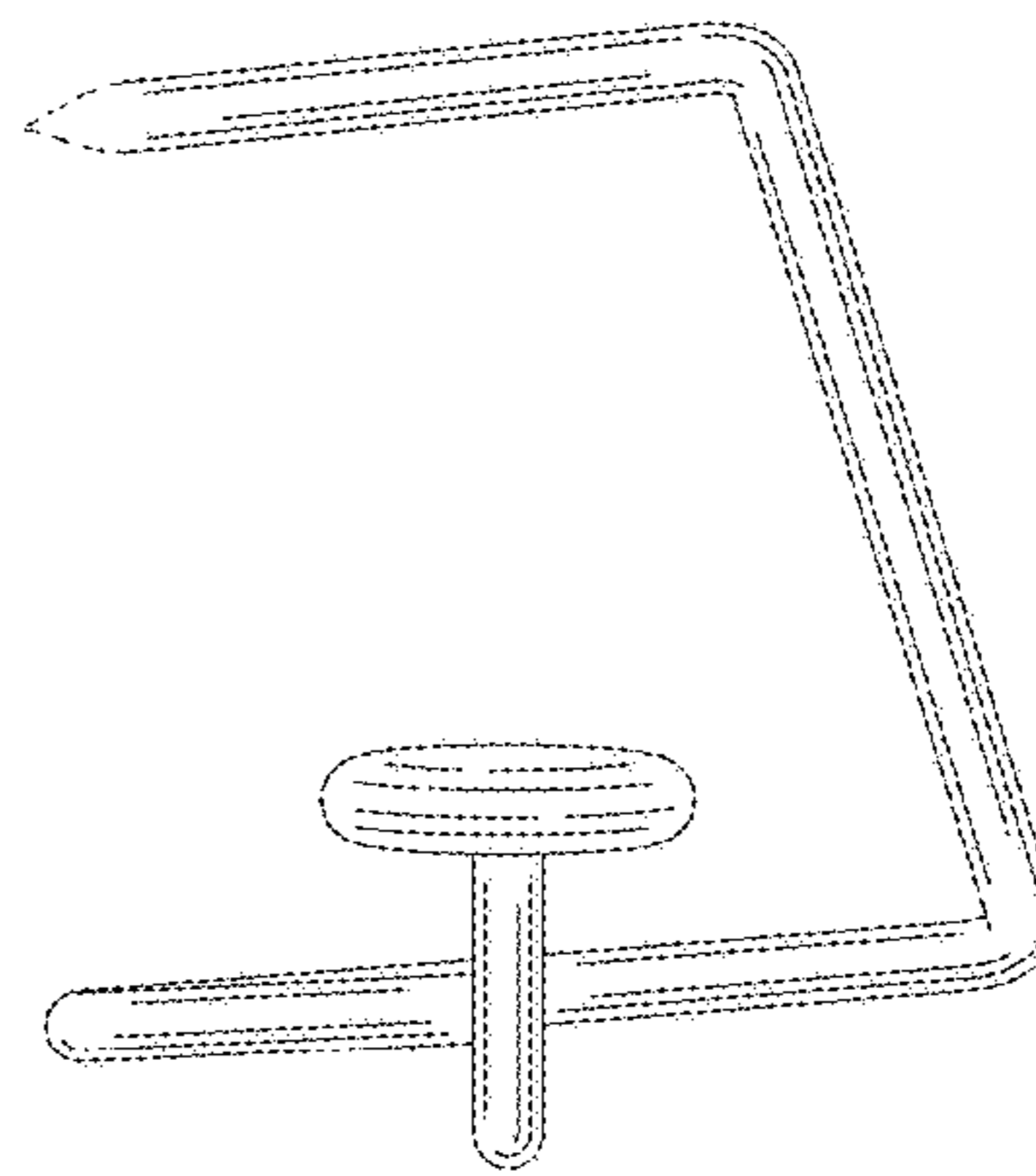


FIG. 3

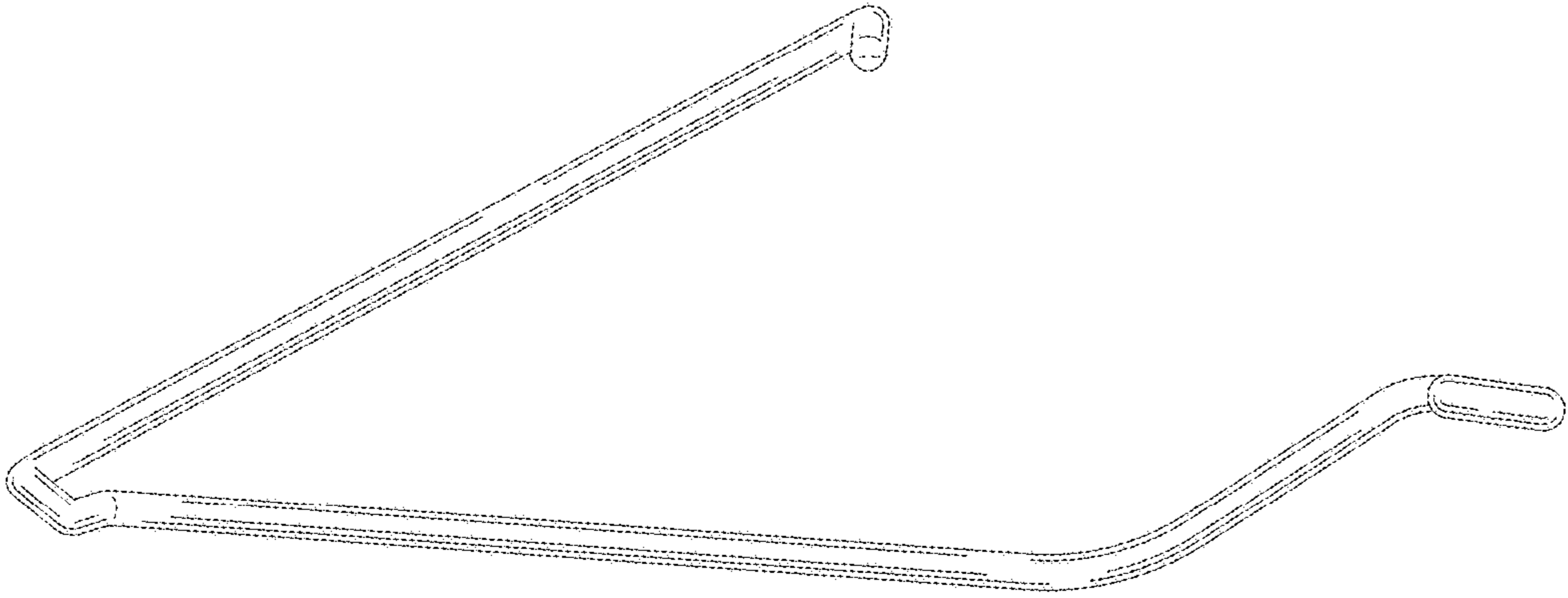


FIG. 4

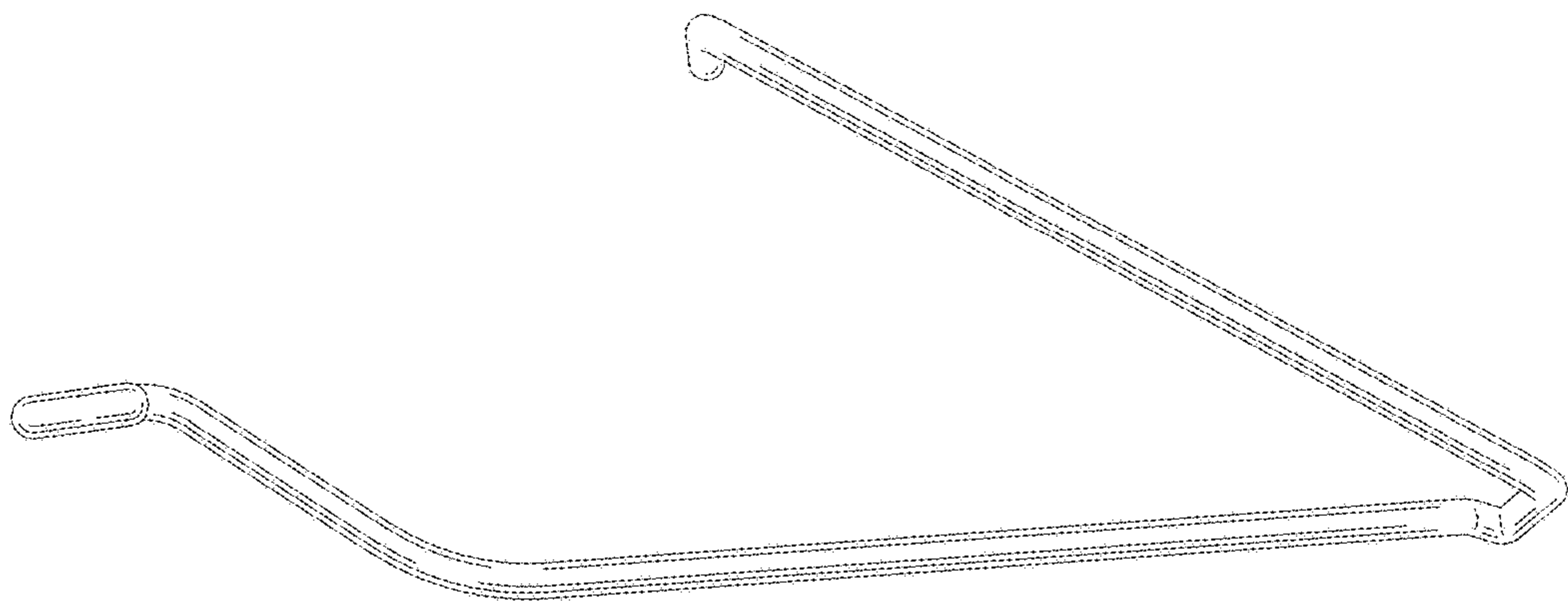


FIG. 5

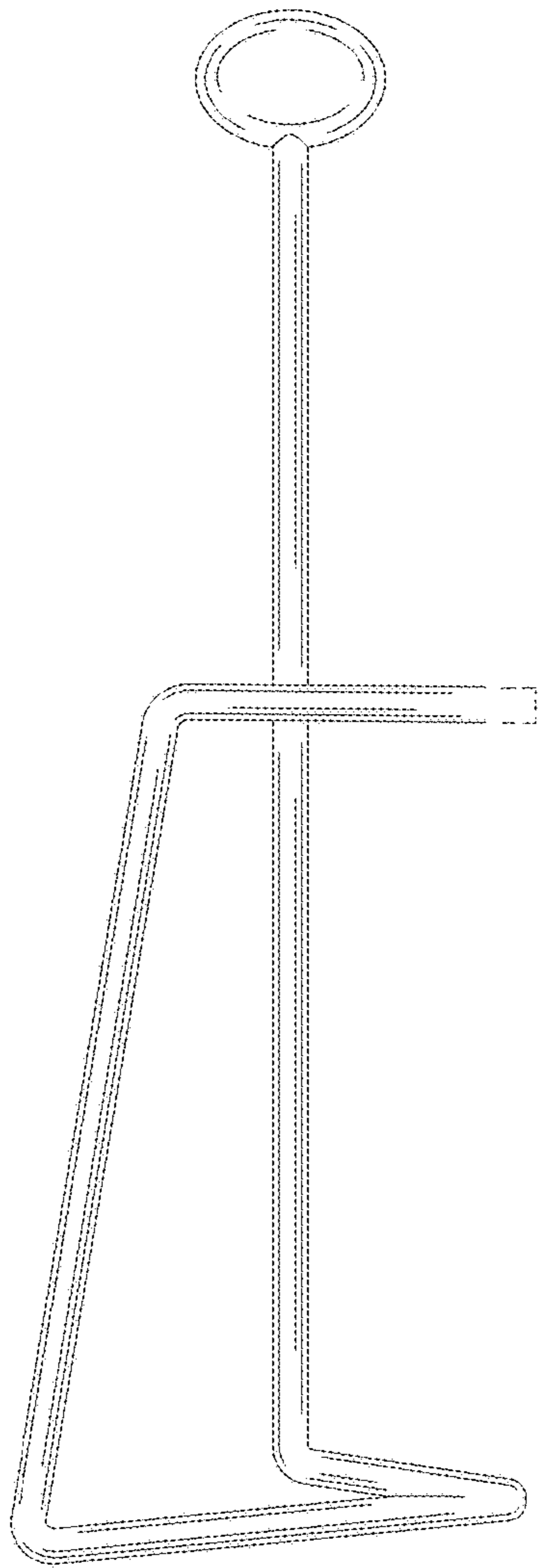


FIG. 6

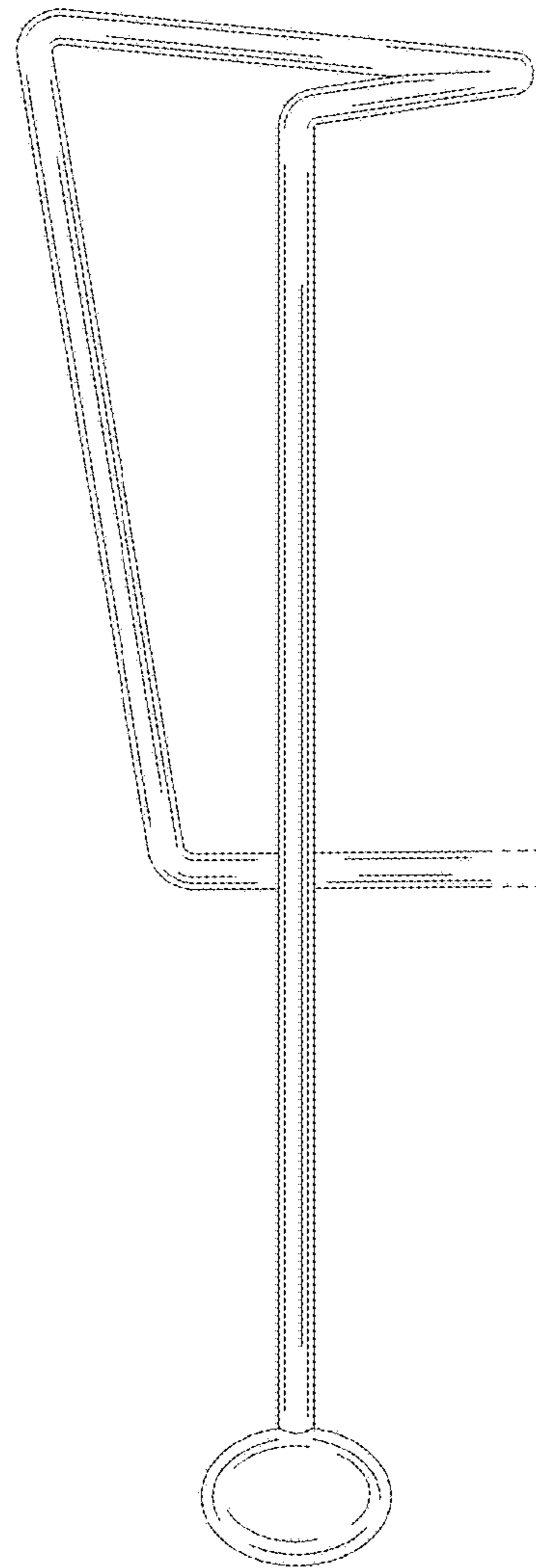


FIG. 7