



US00D857210S

(12) **United States Design Patent** (10) **Patent No.:** **US D857,210 S**  
**Christensen et al.** (45) **Date of Patent:** **\*\* Aug. 20, 2019**

(54) **BASE WITH WHEELS FOR A MOBILE PATIENT BED**

(71) Applicant: **OPTIMEDICA CORPORATION**,  
Santa Ana, CA (US)

(72) Inventors: **Steven S. Christensen**, Fremont, CA (US); **Antonio D. Lucero**, Fresno, CA (US); **Brian Riley**, San Francisco, CA (US); **Eric B. Lafay**, Sunnyvale, CA (US); **David D. Scott**, Oakland, CA (US); **Michelle SanPedro**, Mountain View, CA (US); **Raymond B. Cota**, San Jose, CA (US); **Qi Wu**, Union City, CA (US); **Jeffrey A. Golda**, Menlo Park, CA (US)

(73) Assignee: **OPTIMEDICA CORPORATION**,  
Santa Ana, CA (US)

(\*\*) Term: **15 Years**

(21) Appl. No.: **29/576,570**

(22) Filed: **Sep. 5, 2016**

(51) **LOC (12) Cl.** ..... **24-02**

(52) **U.S. Cl.**  
USPC ..... **D24/184**

(58) **Field of Classification Search**  
USPC ..... D24/183-184, 158-159; D6/367, 601  
CPC ..... A61B 5/05; A61B 5/055; A61B 5/0555;  
A61B 6/032; A61B 6/035; A61B 6/037;  
A61B 6/04; A61B 6/0407; A61B 6/0414;  
A61B 6/0421; A61B 6/0442; A61B  
6/0457; A61B 6/0464; A61B 6/102; A61B  
6/12; A61B 6/14; A61B 6/4258; A61B  
6/4417; A61B 6/4476; A61B 6/4494;  
A61B 6/487; A61B 6/501; A61B 6/502;  
A61B 6/5241; A61B 6/5264; A61B  
6/5276; A61B 6/547; A61G 12/00; A61G  
12/002; A61G 13/00; A61G 13/0009;  
A61G 13/0018; A61G 13/0036; A61G  
13/0045; A61G 13/0054; A61G 13/0063;

A61G 13/0072; A61G 13/009; A61G  
13/02; A61G 13/04; A61G 13/06; A61G  
13/08; A61G 15/00; A61G 15/005; A61G  
15/007; A61G 15/02; A61G 15/10; A61G  
15/125; A61G 15/16; A61G 15/18; A61G  
5/00; A61G 5/006; A61G 5/0833; A61G  
5/1005; A61G 5/101; A61G

(Continued)

(56) **References Cited**

U.S. PATENT DOCUMENTS

2,801,142 A \* 7/1957 Adams ..... A61G 13/12  
5/623  
5,014,688 A \* 5/1991 Fast ..... A61G 13/009  
606/242

(Continued)

*Primary Examiner* — Ian Simmons

*Assistant Examiner* — Samantha Q Lawrence

(74) *Attorney, Agent, or Firm* — Johnson & Johnson  
Surgical Vision, Inc.

(57) **CLAIM**

The ornamental design for a base with wheels for a mobile patient bed, as shown and described.

**DESCRIPTION**

FIG. 1 is a perspective view of a base with wheels for a mobile patient bed showing our new design;  
FIG. 2 is a left side view thereof;  
FIG. 3 is a right side view thereof;  
FIG. 4 is a front view thereof;  
FIG. 5 is a rear view thereof; and,  
FIG. 6 is a top view thereof.  
The broken lines are included for the purpose of illustrating portions of the base with wheels for a mobile patient bed that form no part of the claimed design.  
The dash-dot line shown in FIG. 6 illustrates a boundary line and forms no part of the claimed design.

**1 Claim, 4 Drawing Sheets**

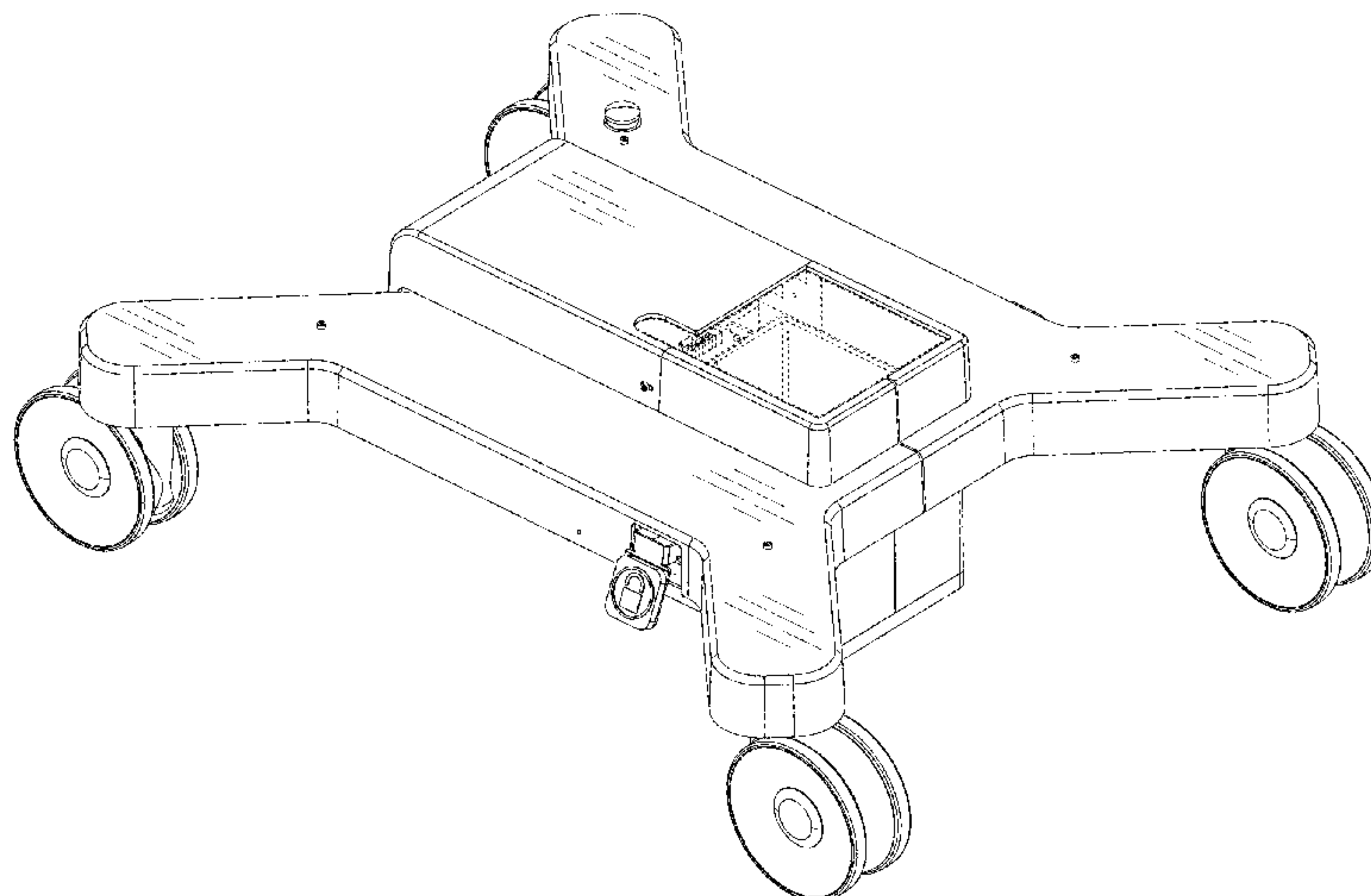
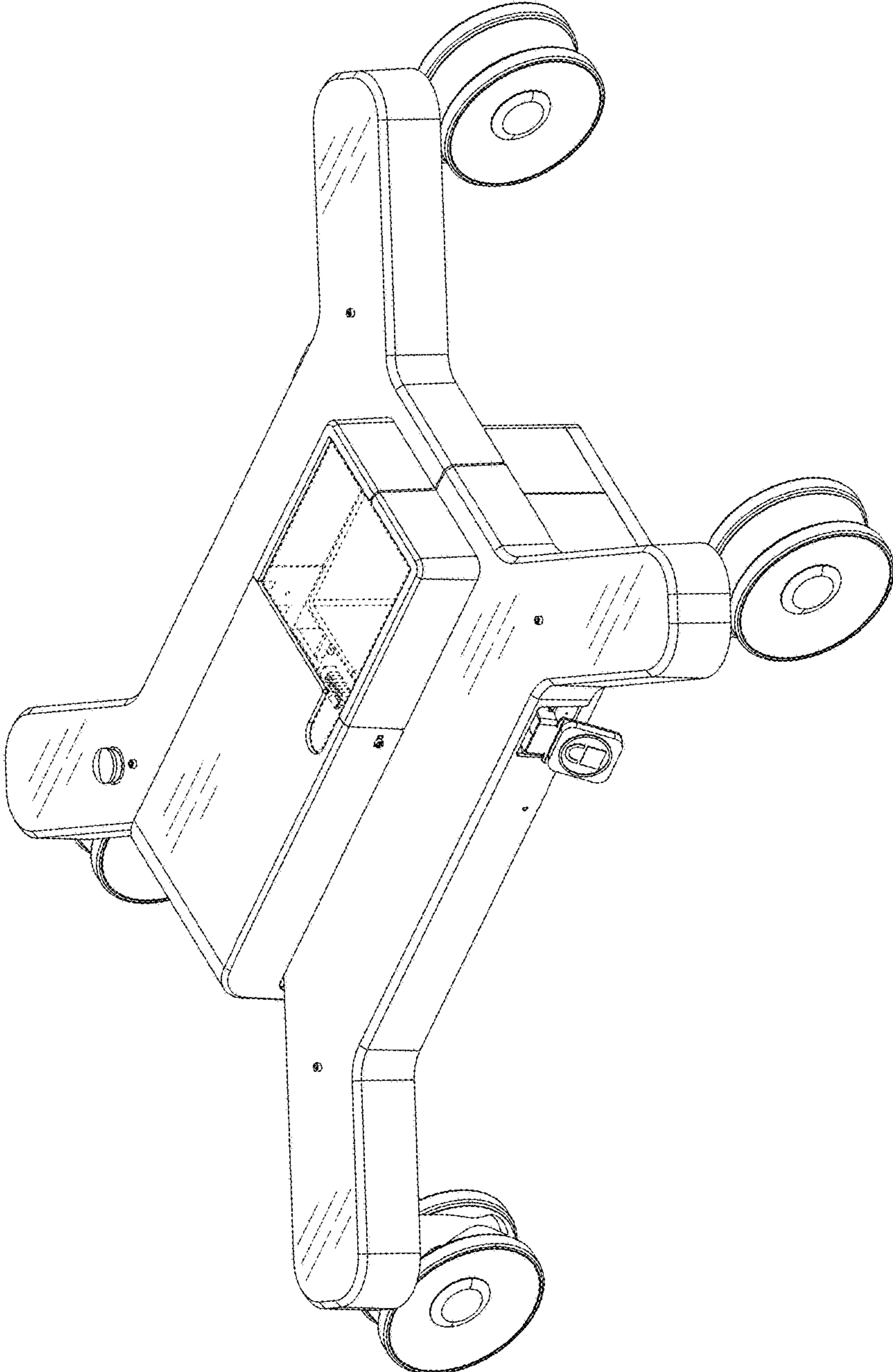


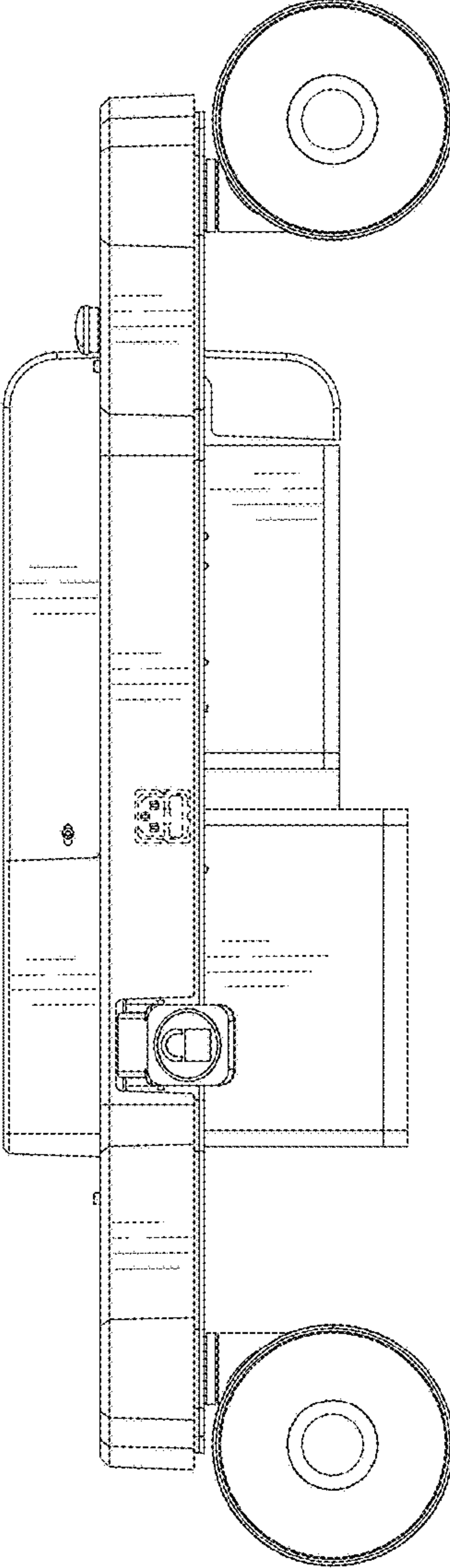


Fig. 1

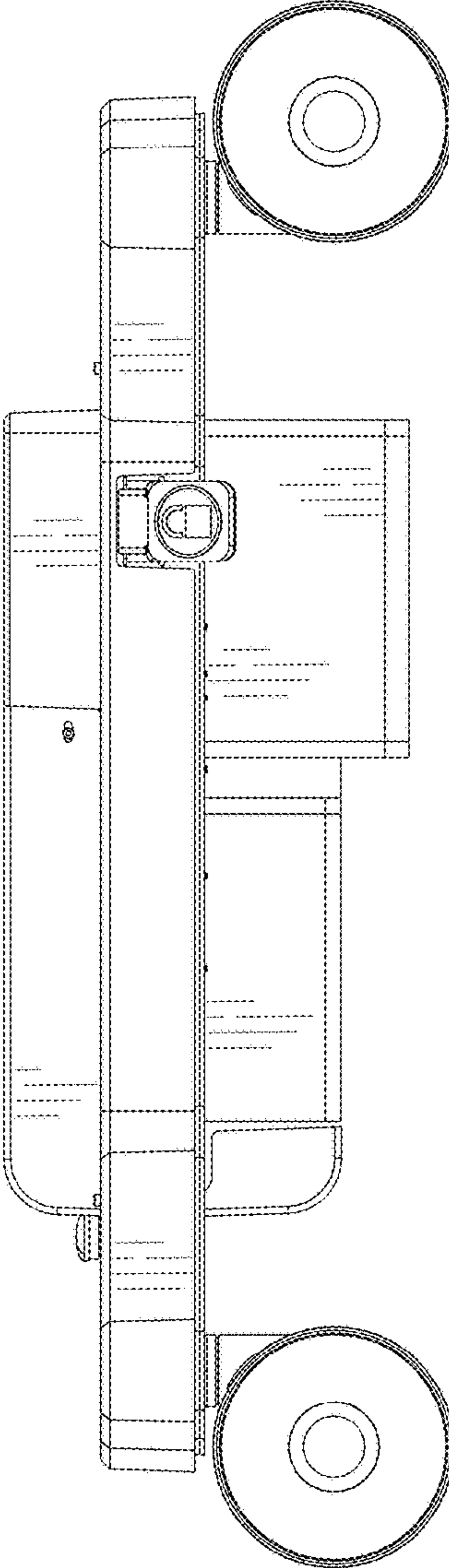




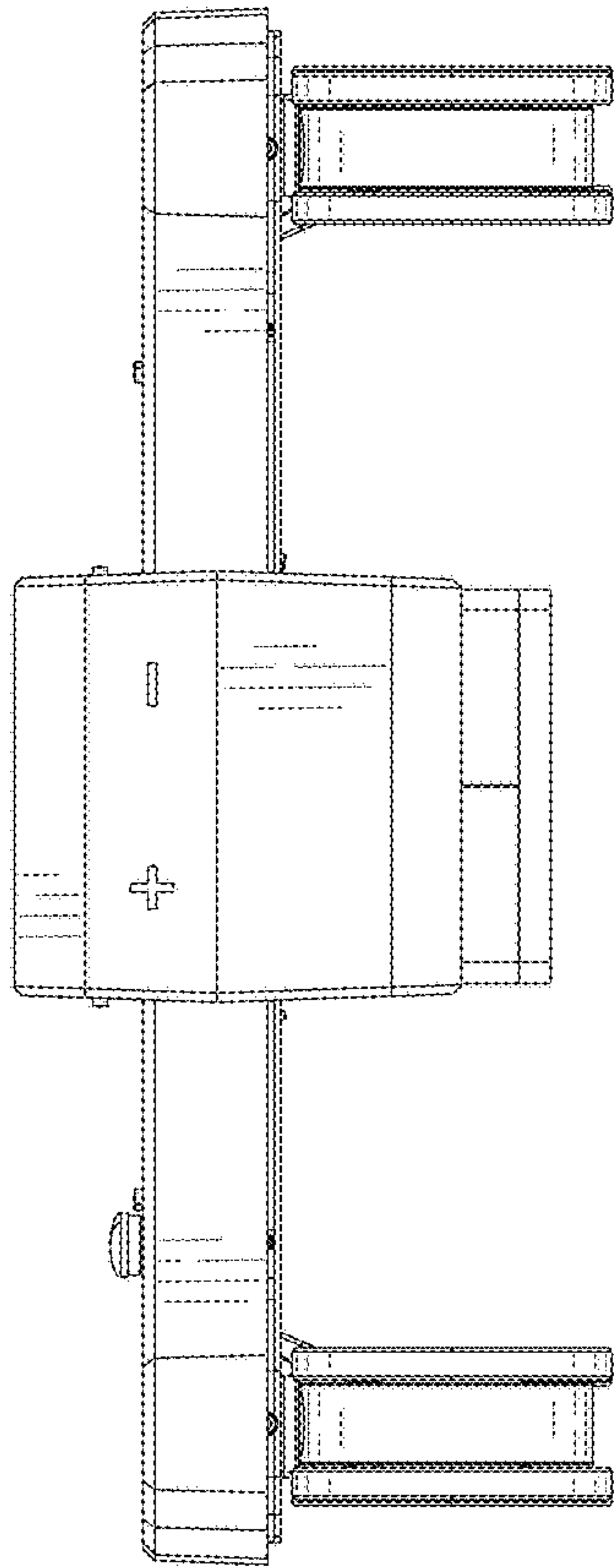
*Fig. 2*



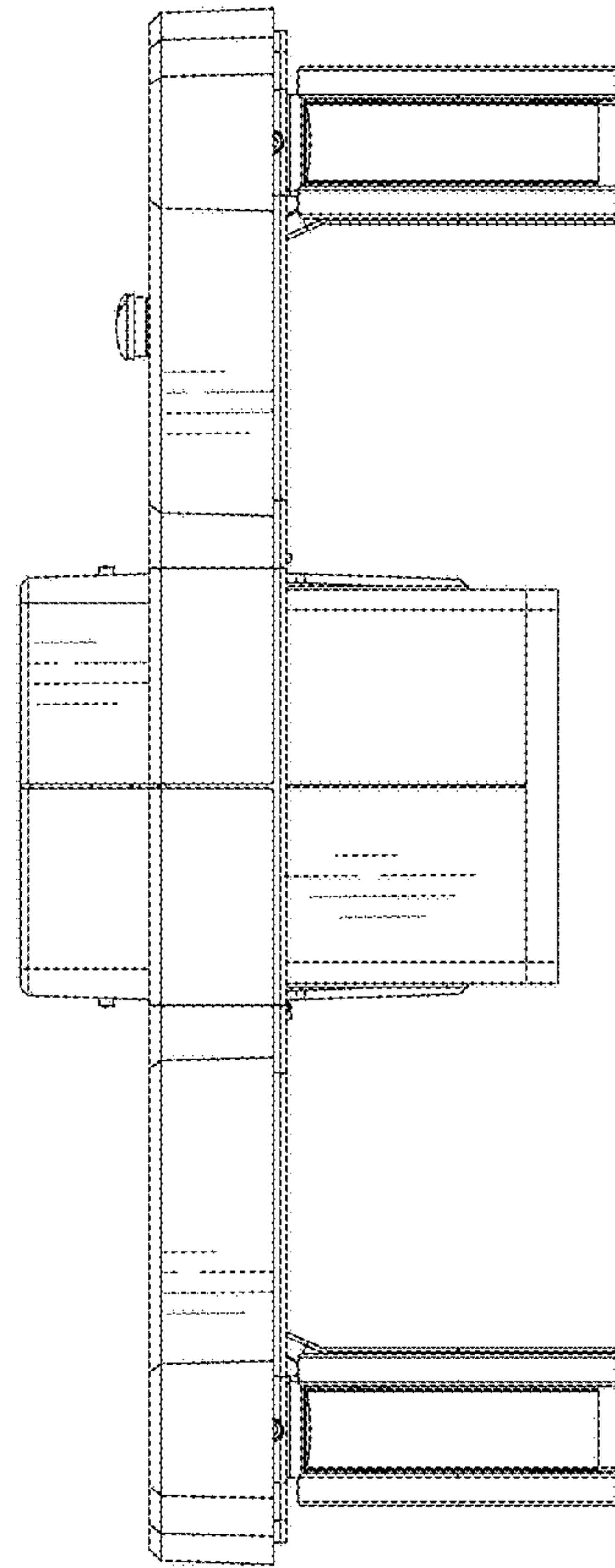
*Fig. 3*



*Fig. 4*



*Fig. 5*



*Fig. 6*

