



US00D857204S

(12) **United States Design Patent**
Akamatsu et al.

(10) **Patent No.:** **US D857,204 S**

(45) **Date of Patent:** **** Aug. 20, 2019**

(54) **SPHYGMOMANOMETER**

(71) Applicant: **A&D COMPANY, LIMITED**, Tokyo
(JP)

(72) Inventors: **Daiki Akamatsu**, Saitama (JP); **Akihisa Shibayama**, Saitama (JP); **Kazuhiko Koyano**, Saitama (JP)

(73) Assignee: **A&D COMPANY, LIMITED**, Tokyo
(JP)

(**) Term: **15 Years**

(21) Appl. No.: **29/593,352**

(22) Filed: **Feb. 8, 2017**

(30) **Foreign Application Priority Data**

Oct. 24, 2016 (JP) 2016-023108

(51) **LOC (12) Cl.** **24-02**

(52) **U.S. Cl.**
USPC **D24/165**

(58) **Field of Classification Search**
USPC D24/164–168, 186, 107; D10/75, 70, 78
CPC A61B 5/0402; A61B 5/0404; A61B 5/021;
A61B 5/024; A61B 5/02438; A61B
5/681; A61B 2560/0205; A61B
2560/0462

See application file for complete search history.

(56) **References Cited**

U.S. PATENT DOCUMENTS

D373,419 S * 9/1996 Muramatsu D24/165
D449,890 S * 10/2001 Semeriva D24/165

D522,655 S * 6/2006 Nakagawa D24/165
D550,844 S * 9/2007 Gutmann D24/165
D690,815 S * 10/2013 Uozumi D24/165
D719,658 S * 12/2014 McDougall D24/165
D739,941 S * 9/2015 Uozumi D24/165
D744,656 S * 12/2015 Schempp D24/165
D777,924 S * 1/2017 Ogihara D24/165
D806,250 S * 12/2017 Im D24/165
2011/0208068 A1 * 8/2011 Ariga A61B 5/02233
600/490
2015/0112213 A1 * 4/2015 Ikeda A61B 5/02255
600/490

* cited by examiner

Primary Examiner — Anhdao Doan

(74) *Attorney, Agent, or Firm* — Roberts Mlotkowski
Safran Cole & Calderon, P.C.

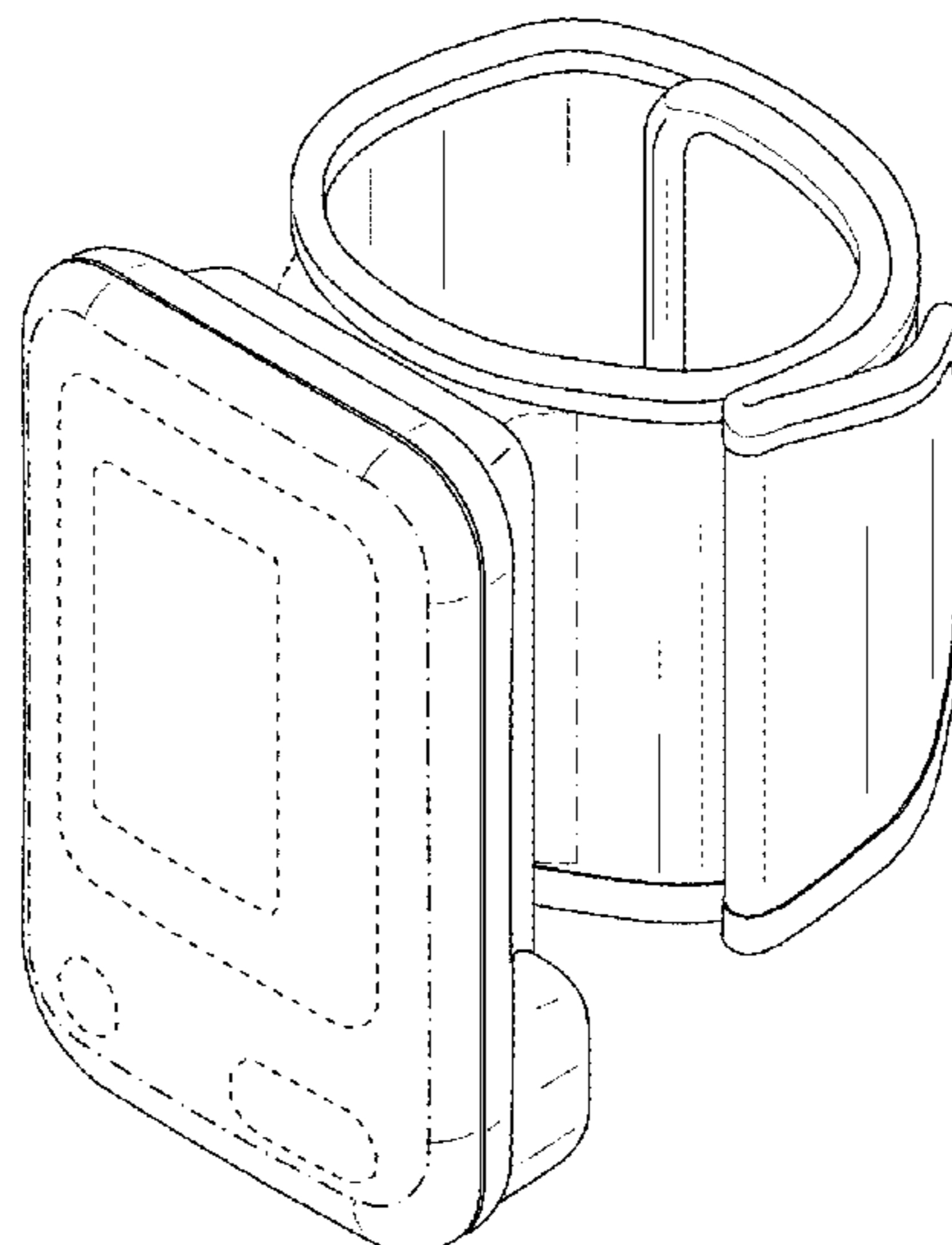
(57) **CLAIM**

The ornamental design for a sphygmomanometer, as shown and described.

DESCRIPTION

FIG. 1 is a front view of the sphygmomanometer;
FIG. 2 is a rear view of the sphygmomanometer;
FIG. 3 is an end view of the sphygmomanometer;
FIG. 4 is an opposite end view of the sphygmomanometer;
FIG. 5 is a right side view of the sphygmomanometer;
FIG. 6 is a left side view of the sphygmomanometer; and,
FIG. 7 is a perspective view of the sphygmomanometer.
In FIGS. 1, 3, 5, 6, and 7, the dash-dot line indicates a boundary of the claimed subject matter and the dashed lines within the dash-dot lines indicate environmental subject matter that forms no part of the claimed subject matter.

1 Claim, 7 Drawing Sheets



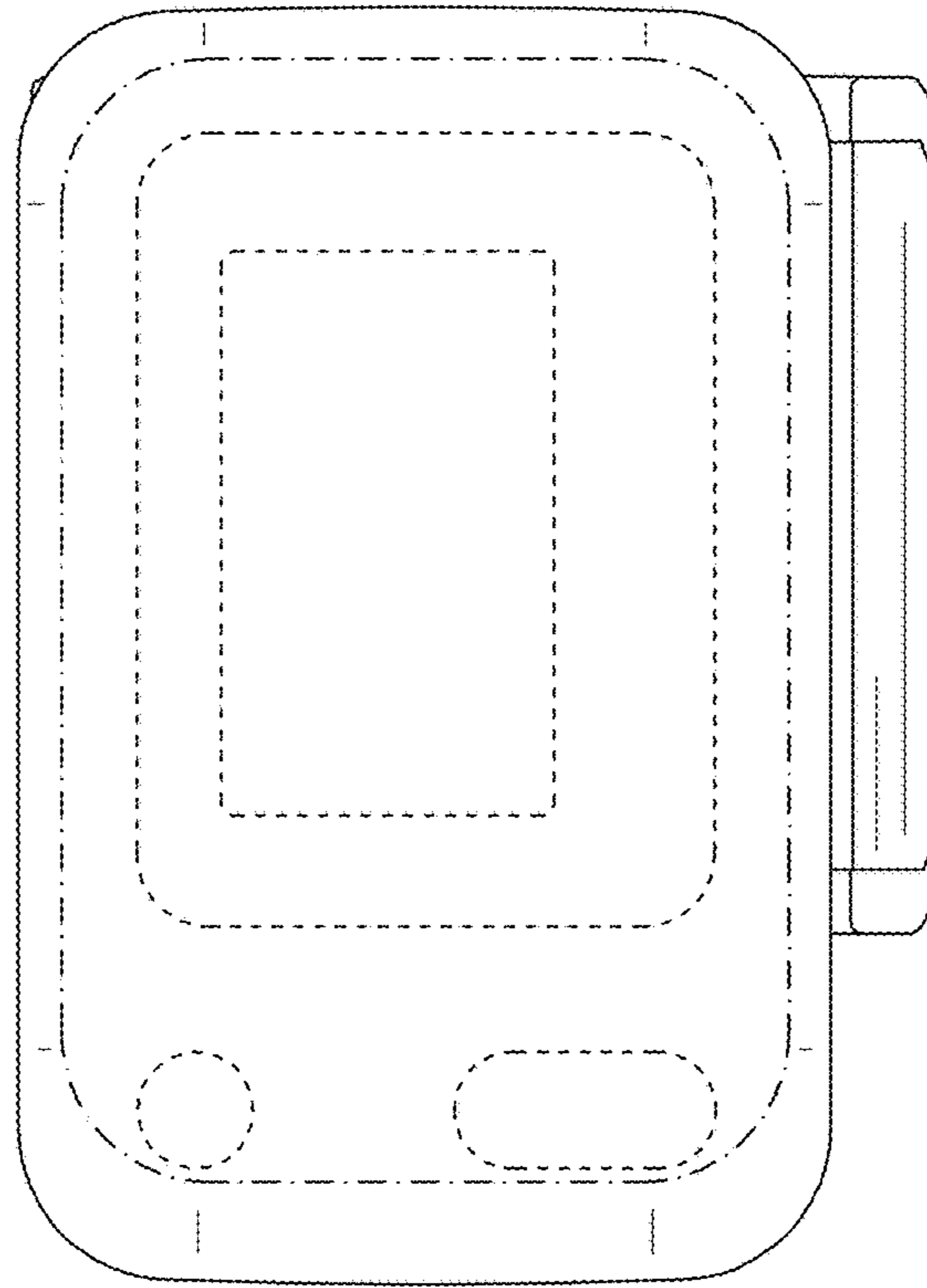


FIG. 1

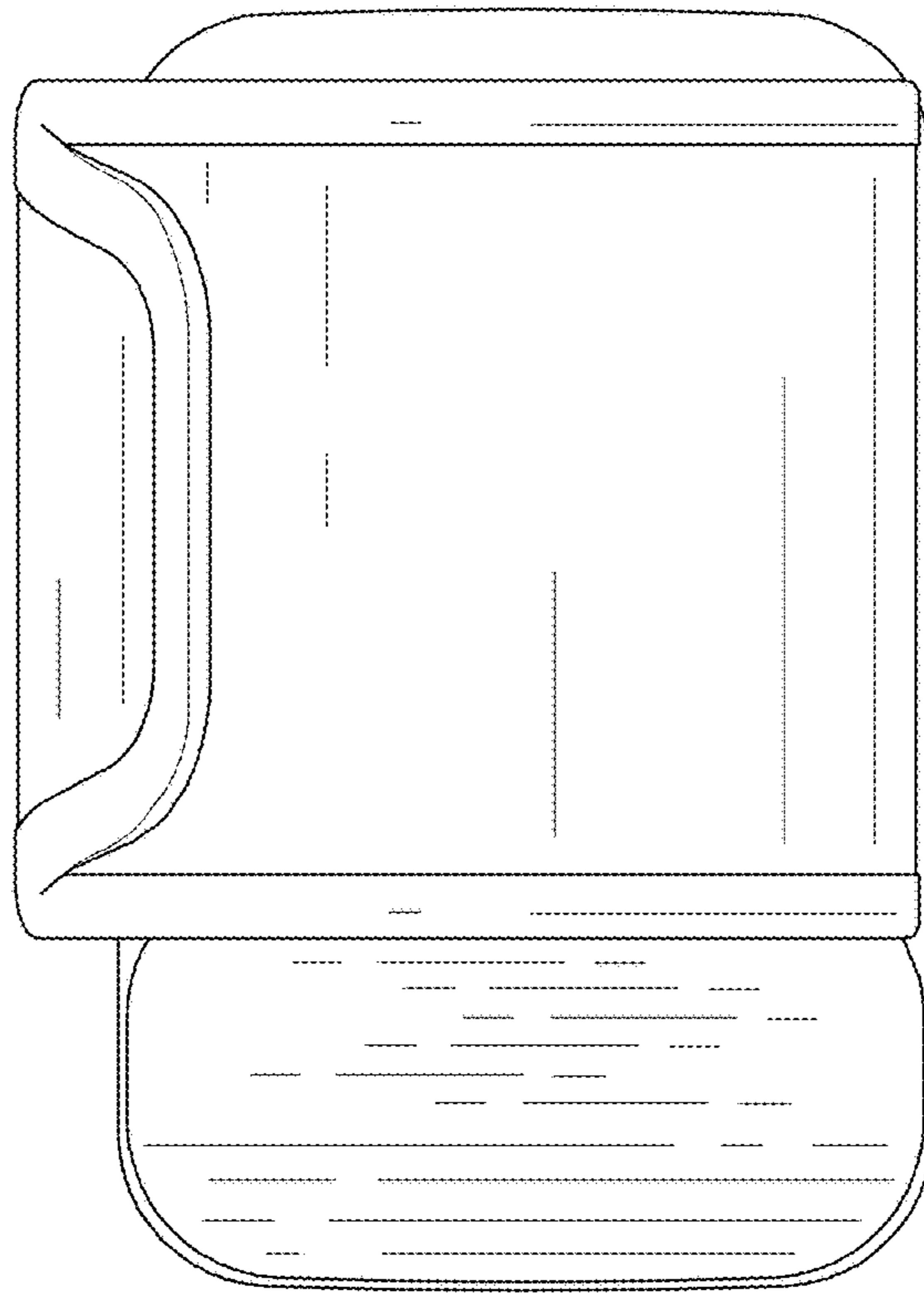


FIG. 2

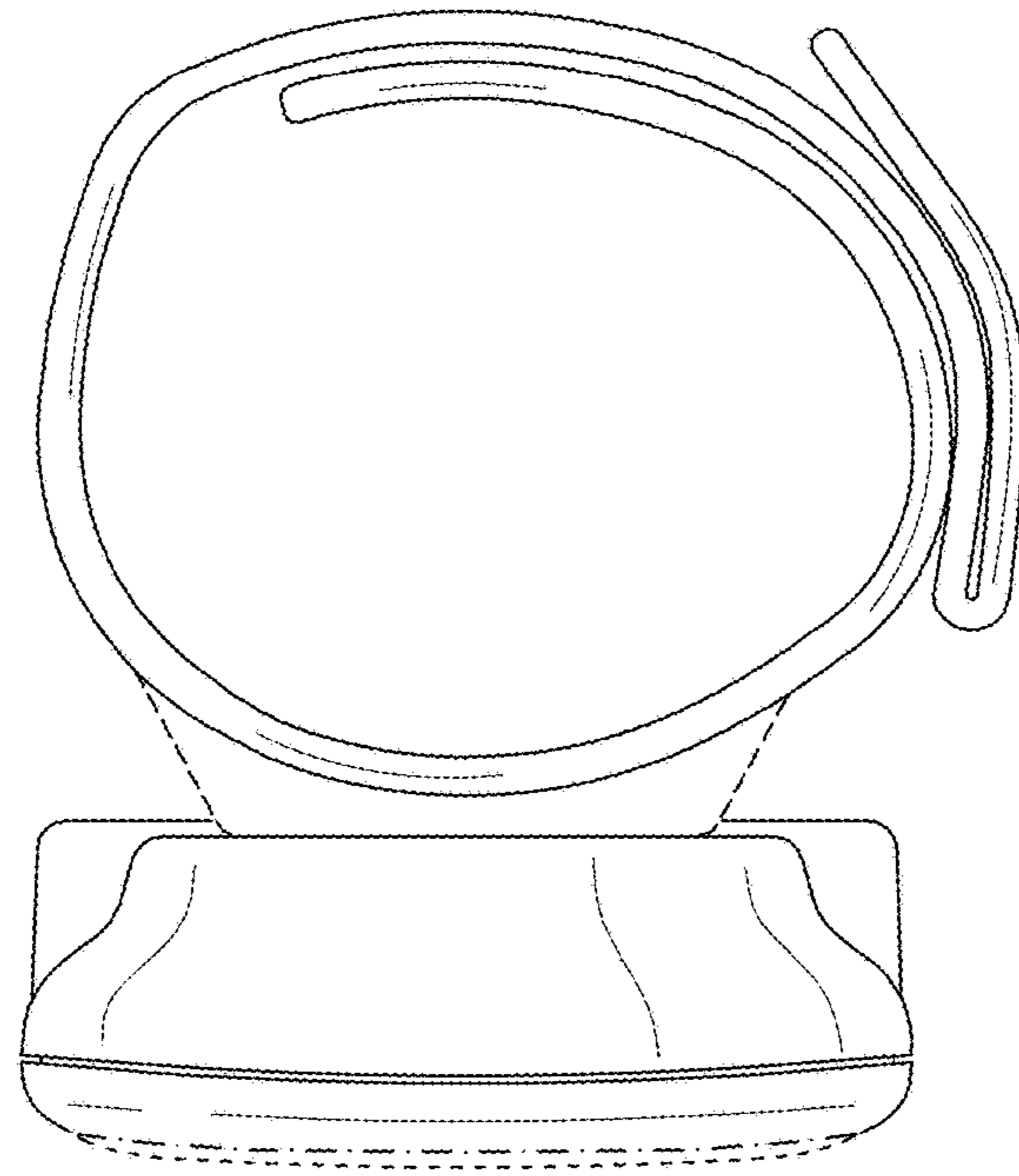


FIG. 3

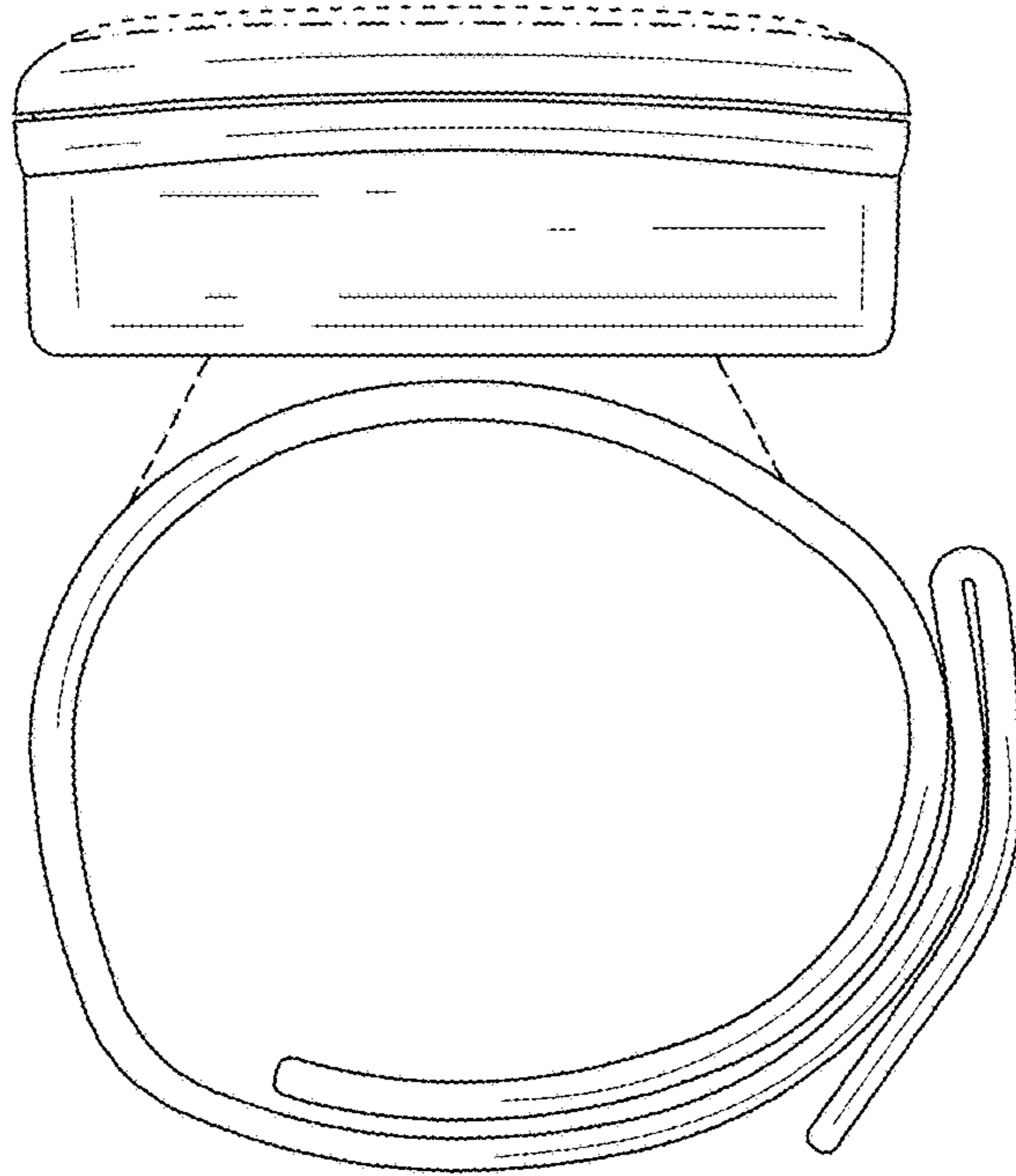


FIG. 4

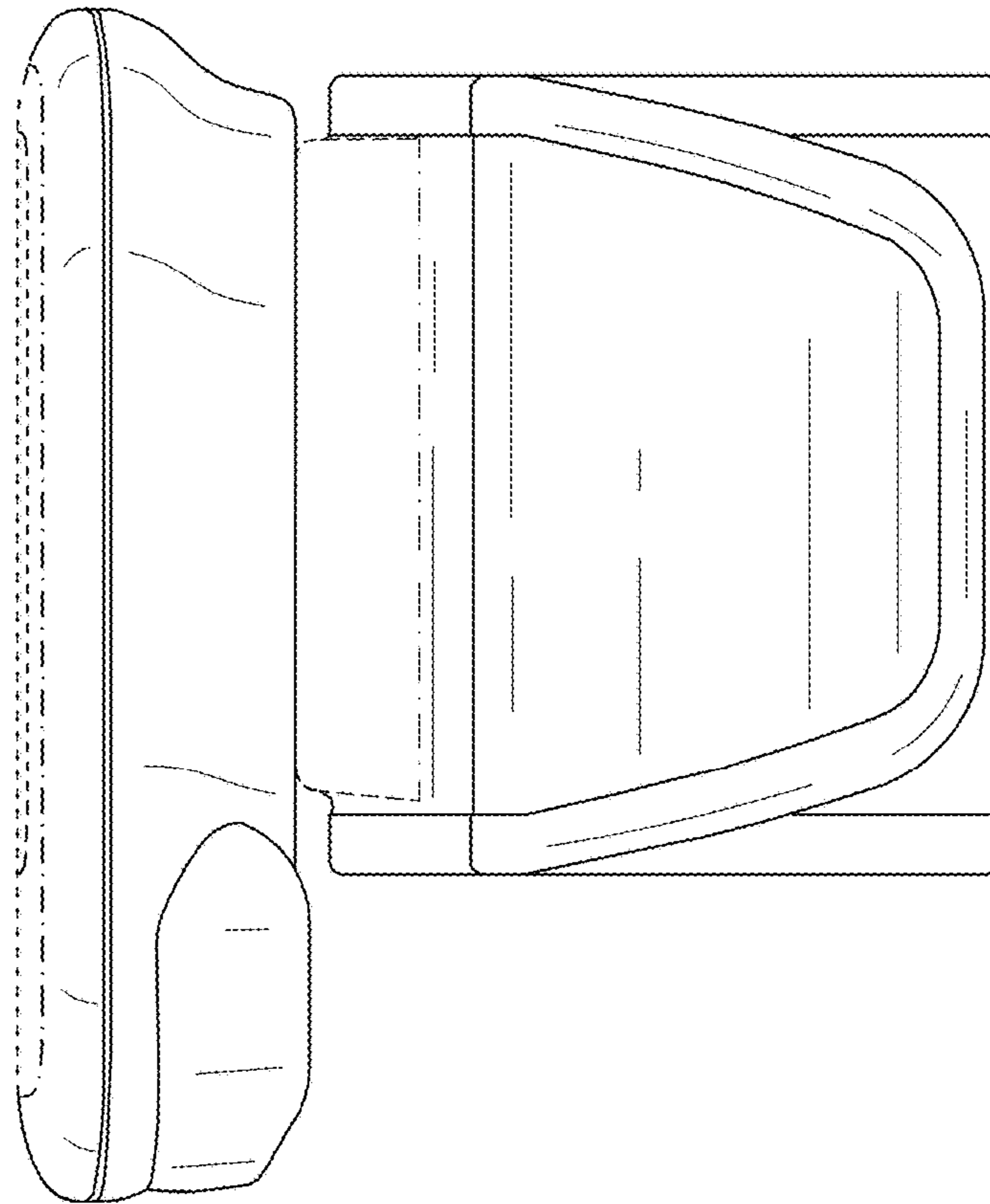


FIG. 5

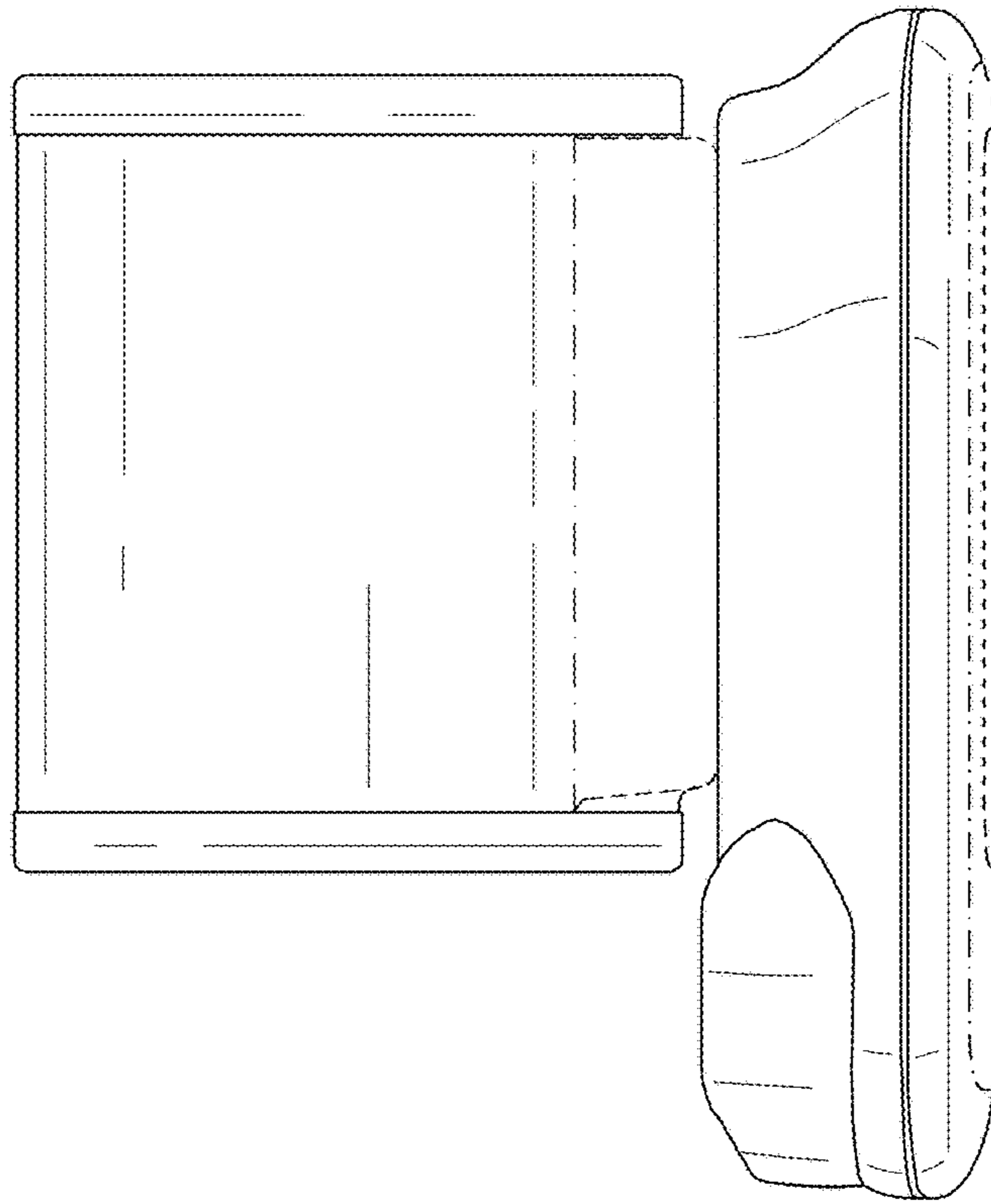


FIG. 6

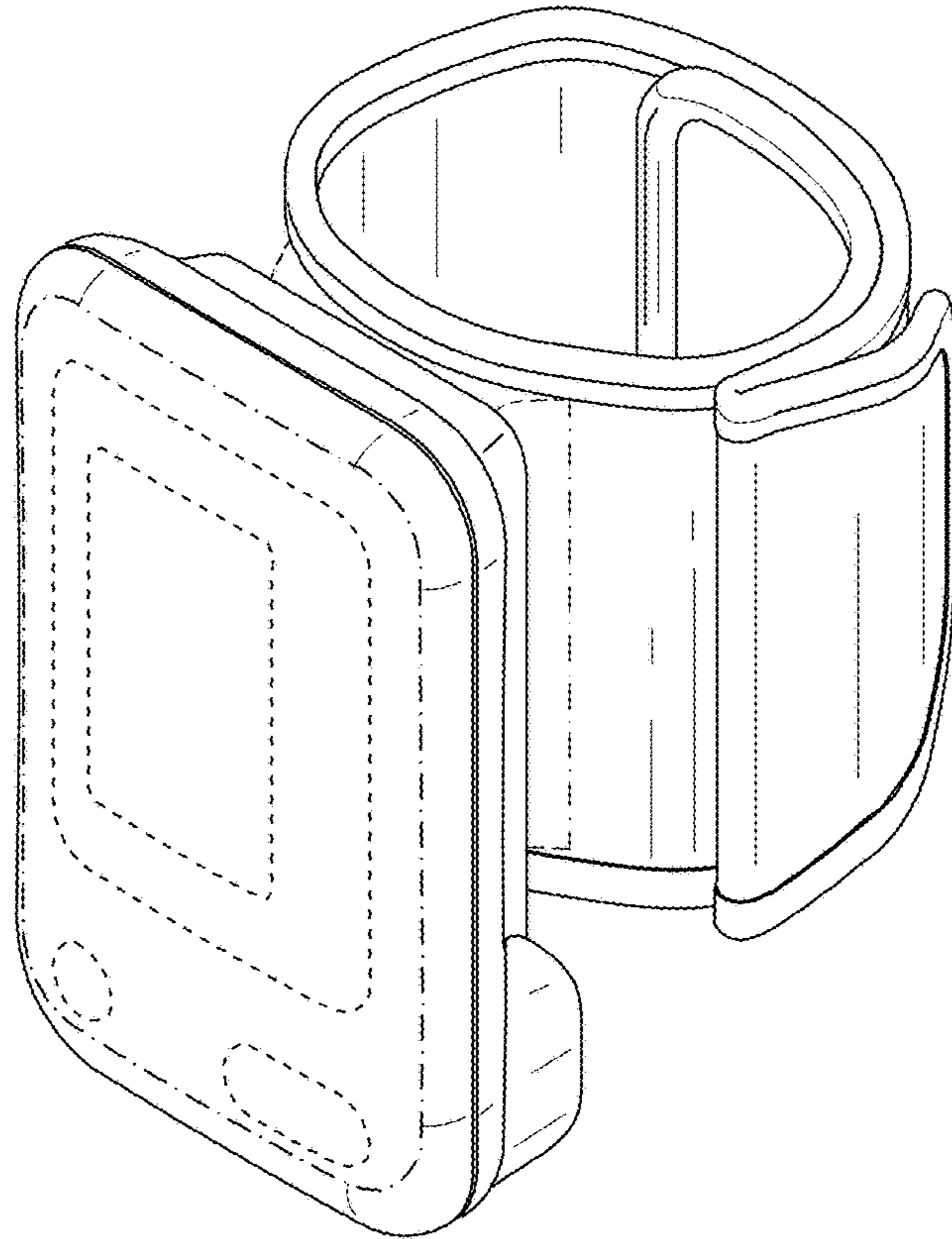


FIG. 7