



US00D857202S

(12) **United States Design Patent** (10) **Patent No.:** **US D857,202 S**
Baker et al. (45) **Date of Patent:** **** Aug. 20, 2019**

(54) **RADIOTHERAPY DEVICE**

(71) Applicant: **Elekta Limited**, West Sussex (GB)

(72) Inventors: **Alexander John Baker**, Warwick (GB);
Malcolm Stanley Boyd,
Stratford-upon-Avon (GB); **James**
Andrew Holt, Leamington Spa (GB);
Daniel Paul Jenkins, St. Albans (GB);
Anthony Paul Morris, Solihull (GB);
Timothy Lewis Sharpe,
Stratford-upon-Avon (GB); **Alexander**
James Woolley, Leamington Spa (GB)

(73) Assignee: **Elekta Limited**, West Sussex (GB)

(**) Term: **15 Years**

(21) Appl. No.: **29/588,365**

(22) Filed: **Dec. 20, 2016**

(51) **LOC (12) Cl.** **24-01**

(52) **U.S. Cl.**
USPC **D24/158**

(58) **Field of Classification Search**
USPC D24/158–161, 185, 186, 107
CPC A61N 2005/1061; A61N 5/10; A61N
5/1081; A61N 5/1048; A61N 5/1049
See application file for complete search history.

(56) **References Cited**

U.S. PATENT DOCUMENTS

D441,866	S	*	5/2001	Marchesi	D24/159
D564,663	S	*	3/2008	Udagawa	D24/158
D639,950	S	*	6/2011	Ramos	D24/158
D700,339	S	*	2/2014	Tan	D24/158
D700,340	S	*	2/2014	Tan	D24/158
D700,968	S	*	3/2014	Delaey	D24/159
D715,444	S	*	10/2014	Zhi	D24/159
D795,435	S	*	8/2017	Liu	D24/158
2005/0089141	A1	*	4/2005	Brown	A61N 5/10 378/65

2006/0233303 A1* 10/2006 Carlsson A61N 5/1049
378/68

2009/0097614 A1* 4/2009 Bergfjord A61N 5/10
378/65

2015/0352375 A1* 12/2015 Chen A61N 5/1049
600/1

2017/0239495 A1* 8/2017 Timmer A61N 5/1081

OTHER PUBLICATIONS

Design U.S. Appl. No. 29/588,360, filed Dec. 20, 2016, entitled
“Radiotherapy Device,” by Alexander John Baker et al.
Design U.S. Appl. No. 29/588,363, filed Dec. 20, 2016, entitled
“Radiotherapy Device,” by Alexander John Baker et al.
Design U.S. Appl. No. 29/588,367, filed Dec. 20, 2016, entitled
“Radiotherapy Device,” by Alexander John Baker et al.

* cited by examiner

Primary Examiner — Anhdao Doan
(74) *Attorney, Agent, or Firm* — Finnegan, Henderson,
Farabow, Garrett & Dunner LLP

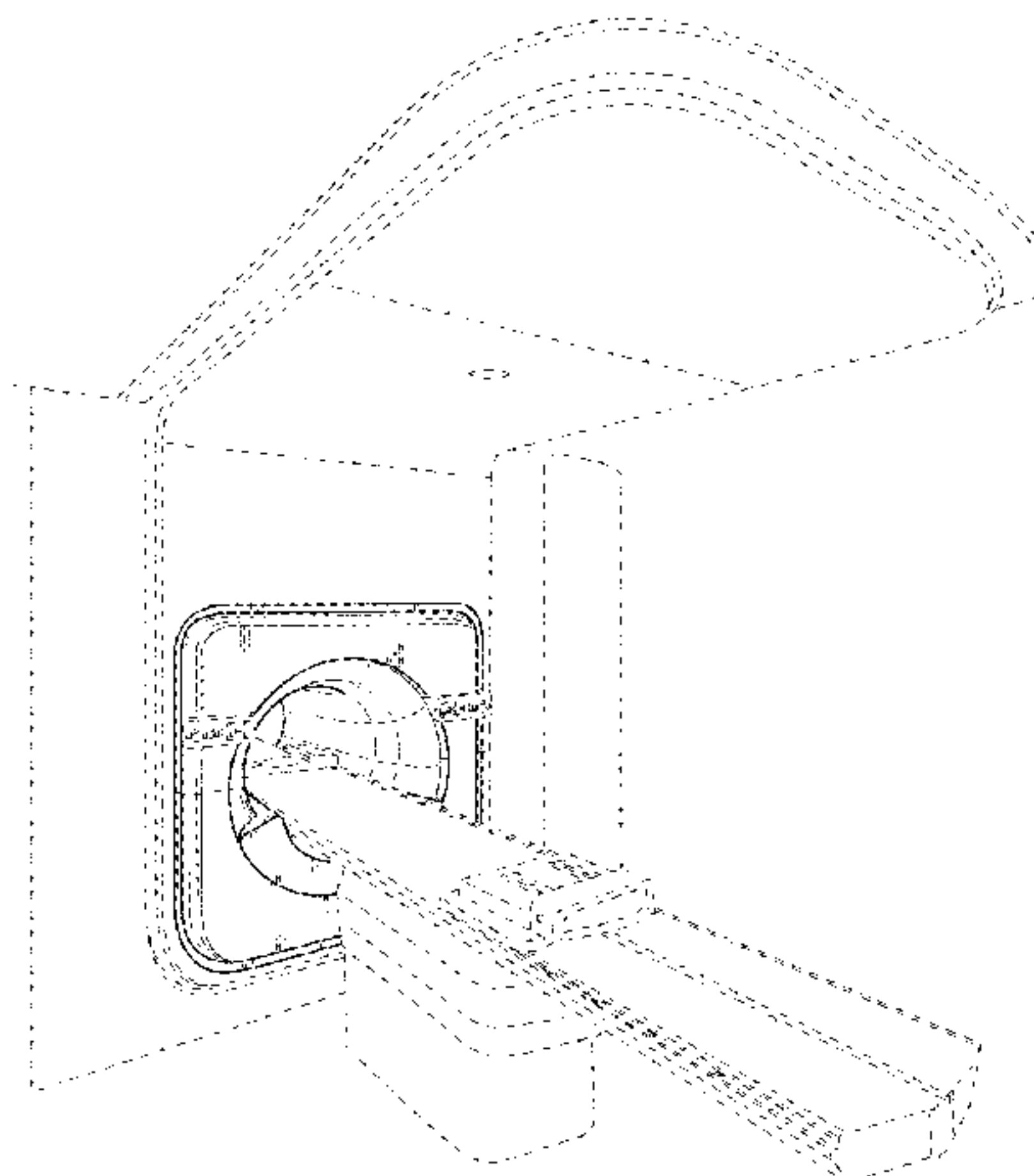
(57) **CLAIM**

The ornamental design for a radiotherapy device, as shown and described.

DESCRIPTION

FIG. 1 is a front perspective view of a radiotherapy device showing the new design;
FIG. 2 is a right perspective view thereof;
FIG. 3 is a left perspective view thereof;
FIG. 4 is a right side elevation view thereof;
FIG. 5 is a front elevation view thereof; and,
FIG. 6 is a rear right perspective view thereof.
The even-length broken lines shown in the drawings illustrate portions of the radiotherapy device that form no part of the claimed design. The uneven length broken lines represent the bounds of the claim and form no part of the claimed design.

1 Claim, 6 Drawing Sheets



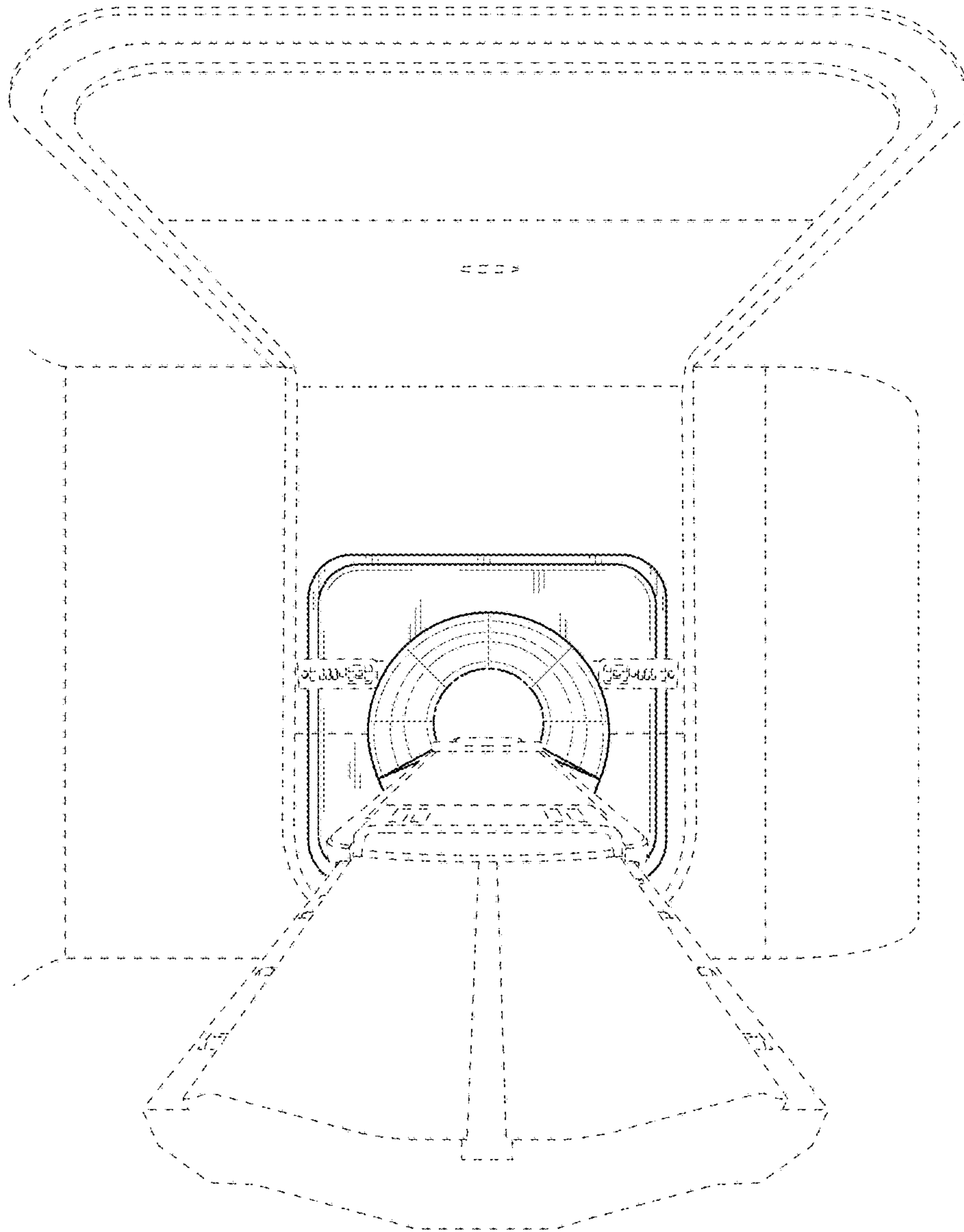


FIG. 1

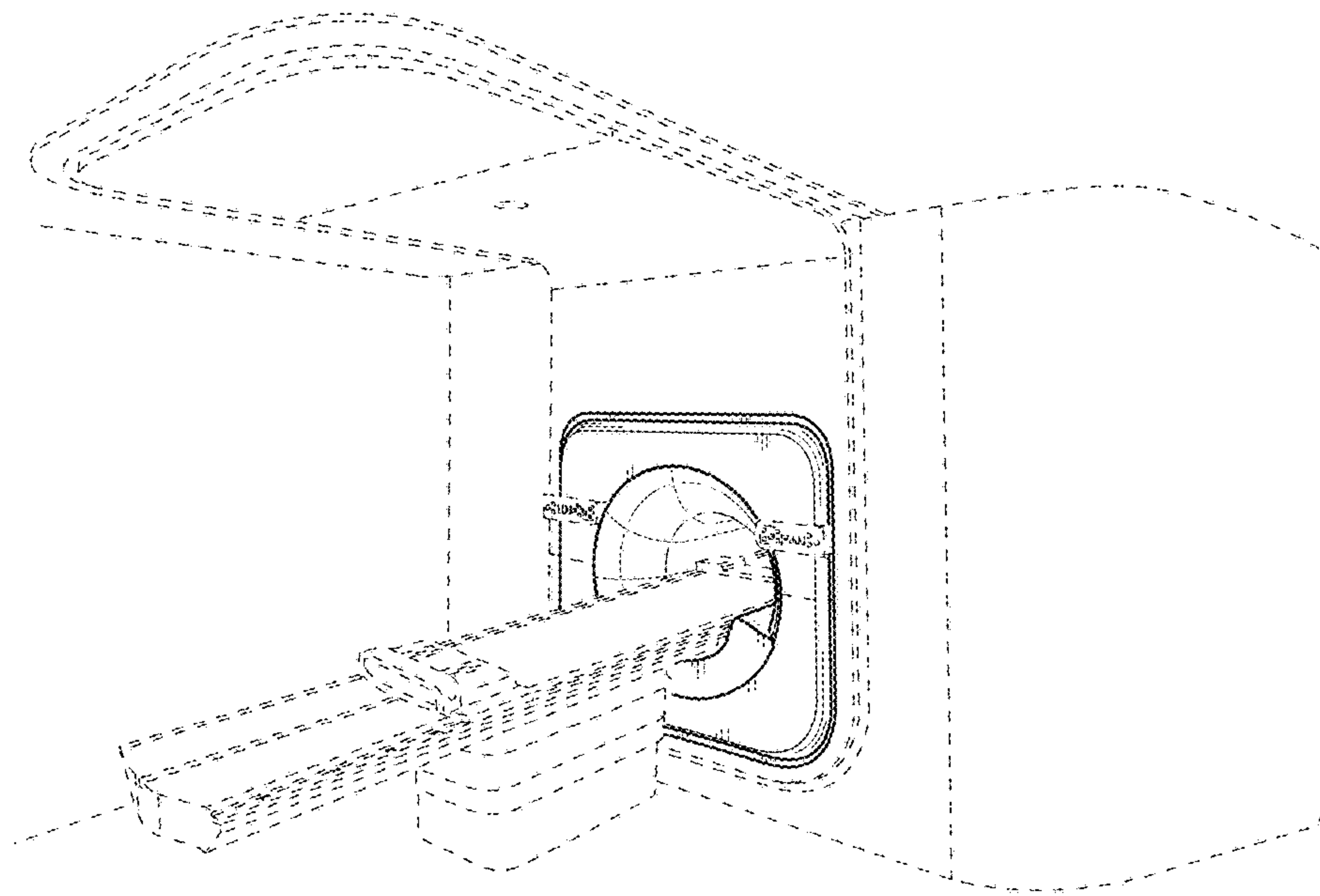


FIG. 2

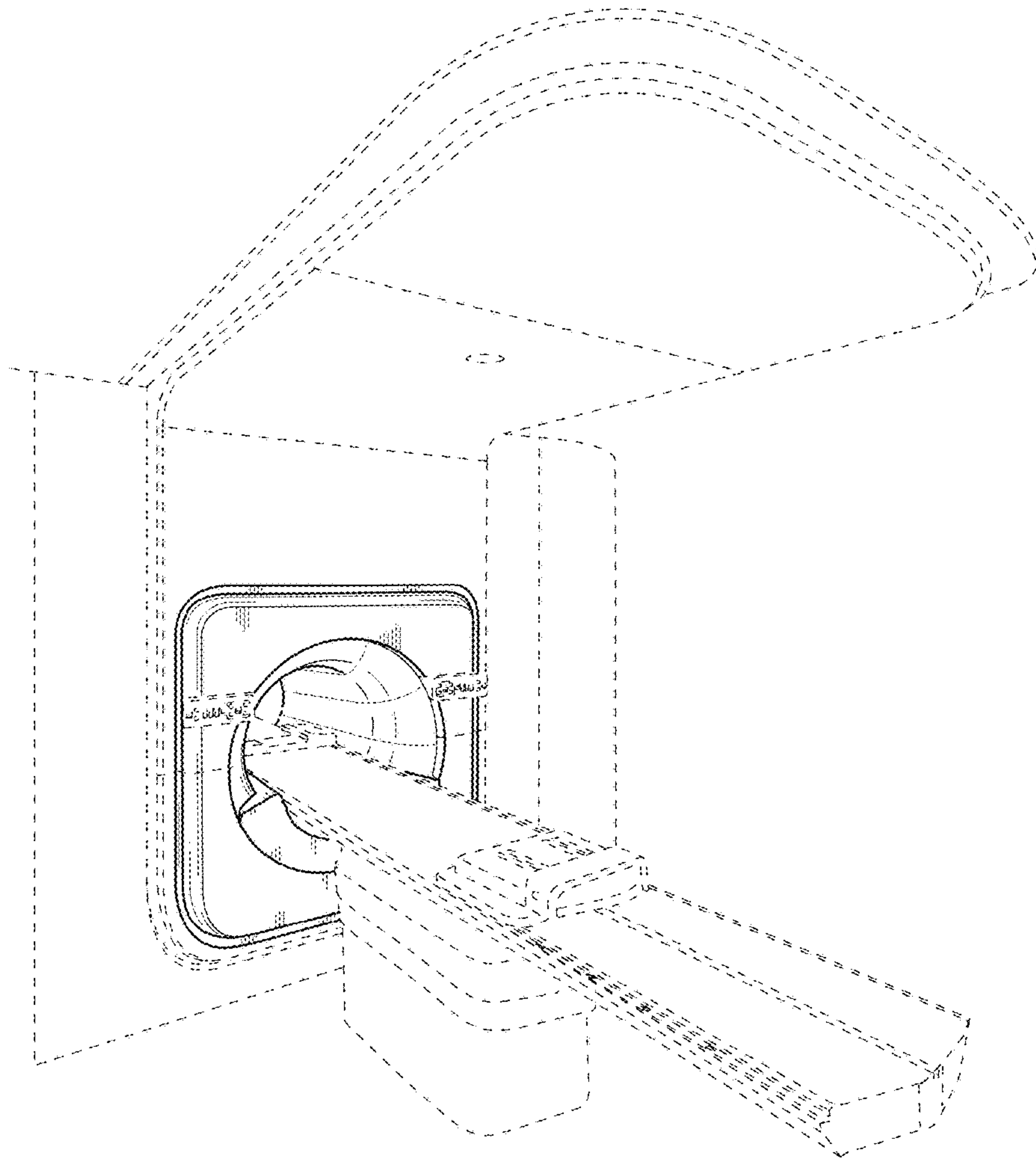


FIG. 3

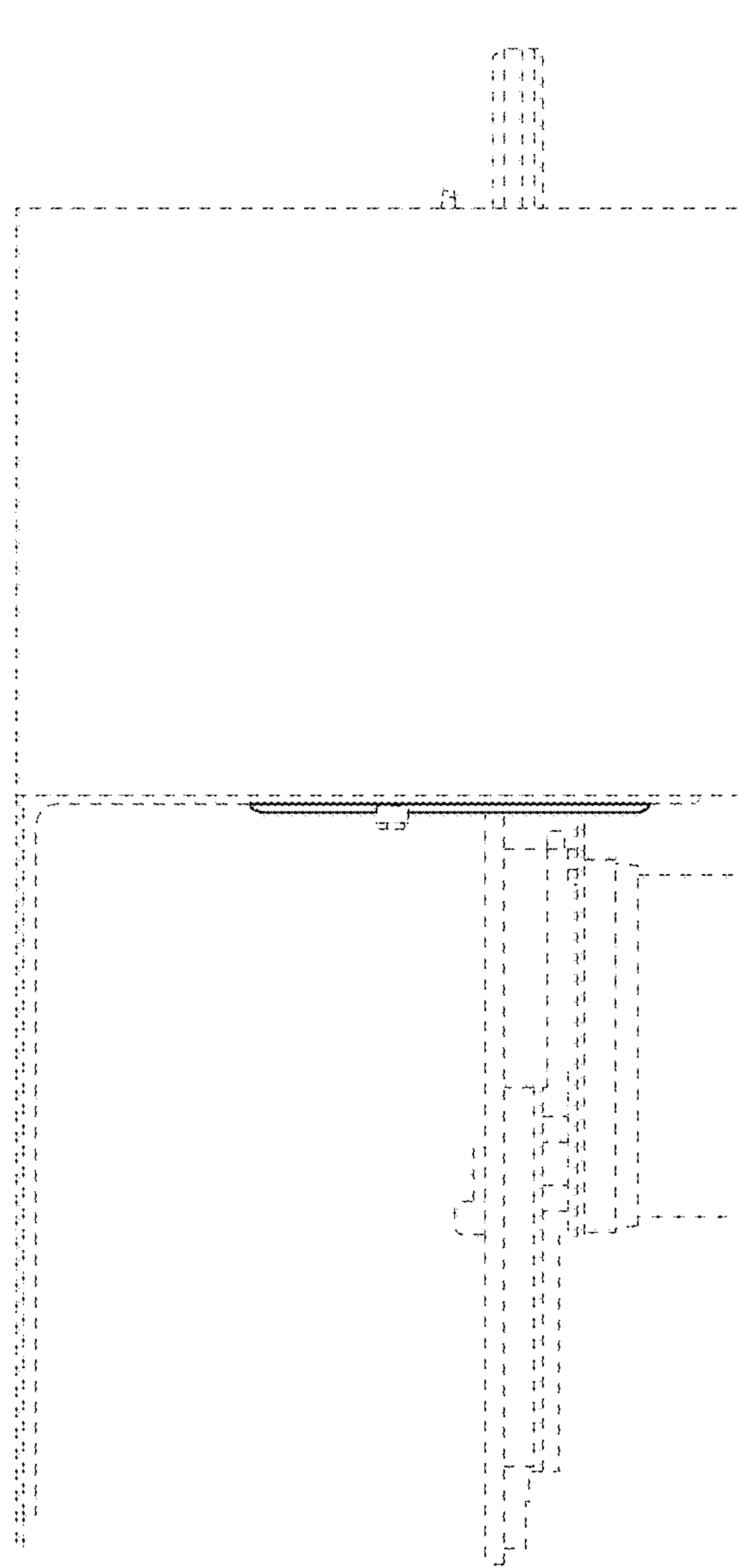


FIG. 4

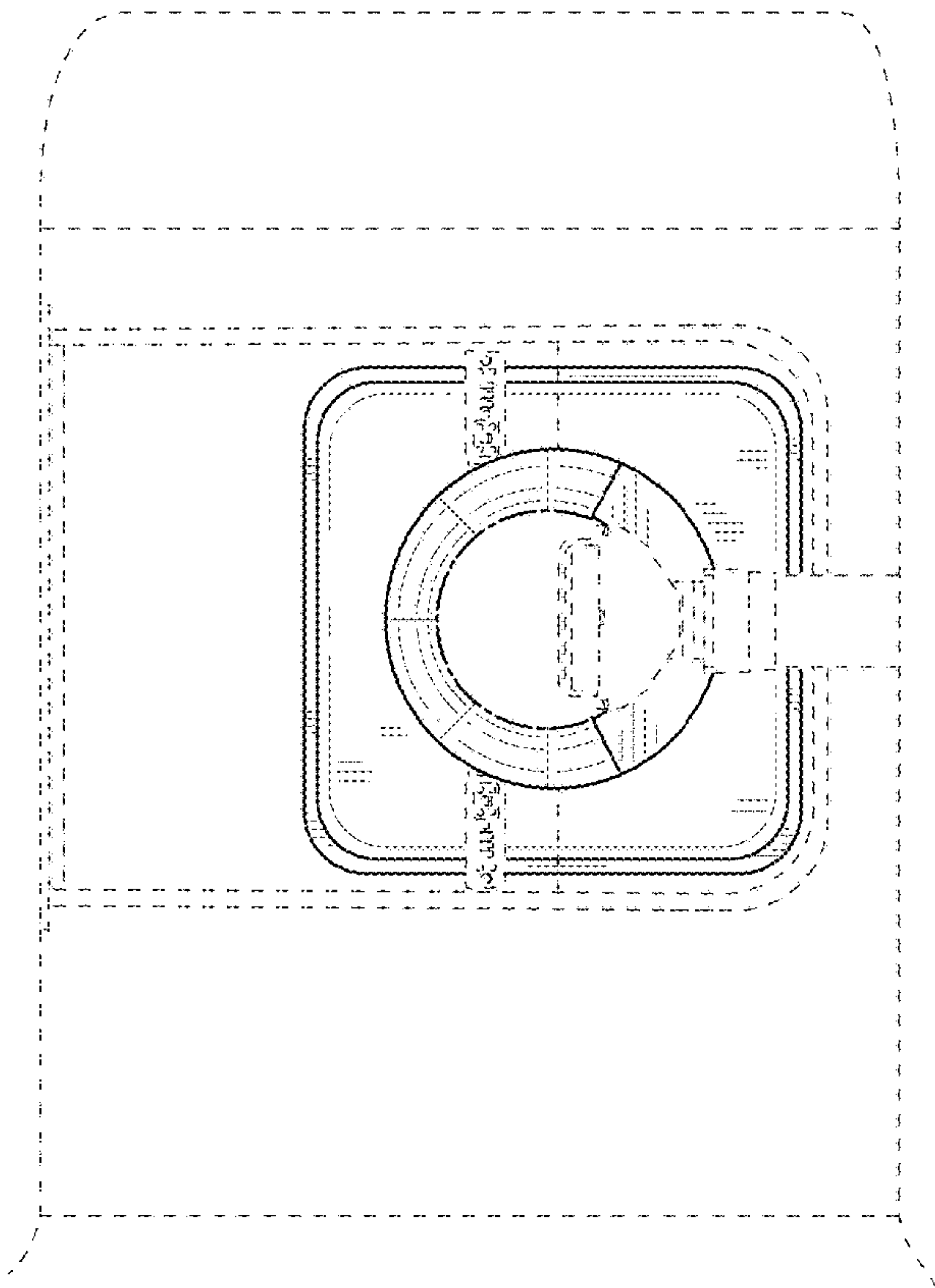


FIG. 5

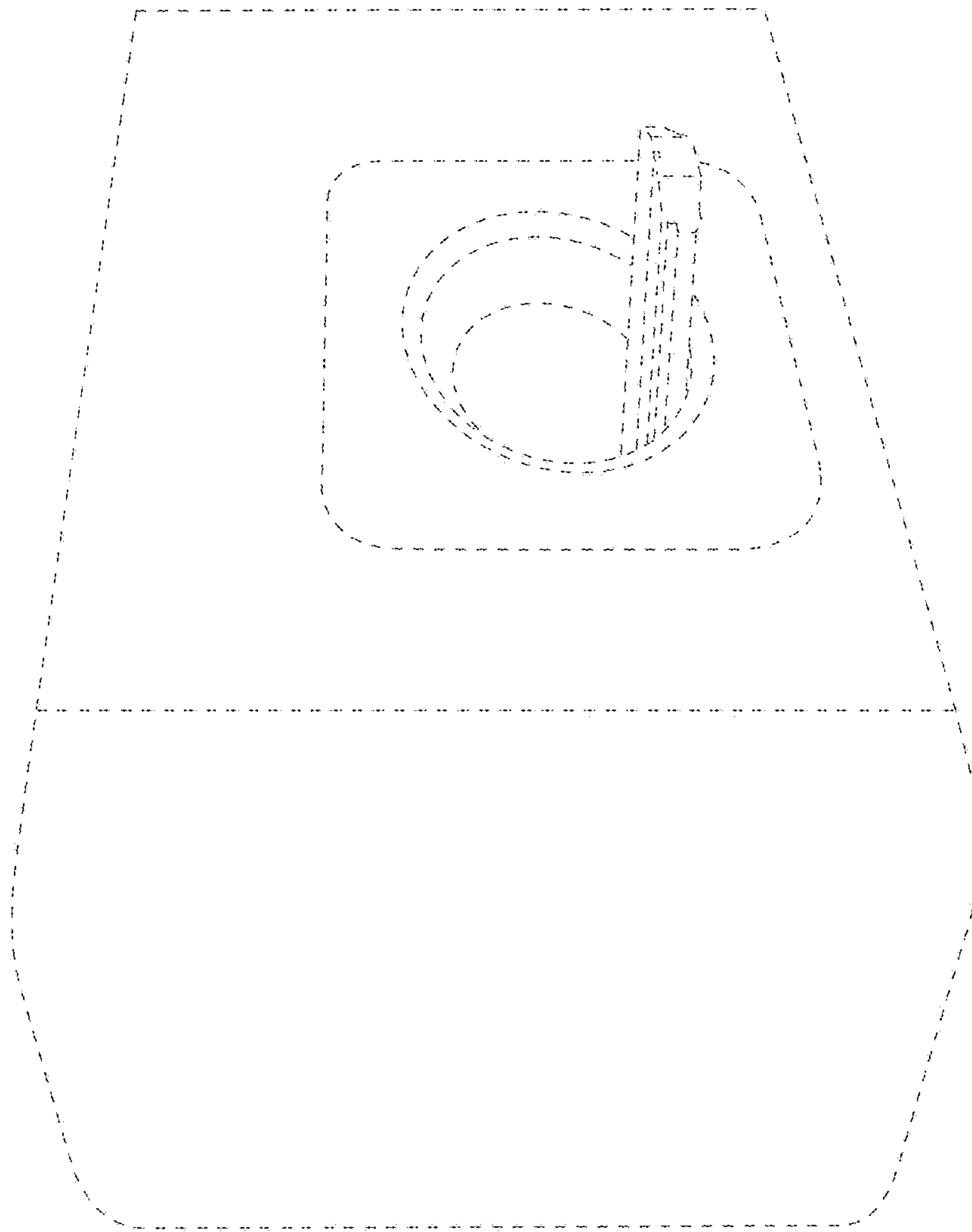


FIG. 6