



US00D857199S

(12) **United States Design Patent**
Cheney et al.

(10) **Patent No.:** **US D857,199 S**

(45) **Date of Patent:** **** Aug. 20, 2019**

(54) **ORTHOPEDIC IMPLANT**

(71) Applicant: **BioMedical Enterprises, Inc.**, San Antonio, TX (US)

(72) Inventors: **Daniel F. Cheney**, San Antonio, TX (US); **Mark S. Myerson**, Baltimore, MD (US); **John Kent Ellington**, Charlotte, NC (US); **Thomas J. Chang**, Santa Rosa, CA (US); **J. Chris Coetzee**, Eagan, MN (US); **Bryan D. Den Hartog**, Urbandale, IA (US); **Anish R. Kadakia**, Glenview, IL (US)

(73) Assignee: **BioMedical Enterprises, Inc.**, San Antonio, TX (US)

(**) Term: **15 Years**

(21) Appl. No.: **29/590,416**

(22) Filed: **Jan. 10, 2017**

Related U.S. Application Data

(62) Division of application No. 29/509,747, filed on Nov. 20, 2014, now Pat. No. Des. 780,311.

(51) **LOC (12) Cl.** **24-03**

(52) **U.S. Cl.**
USPC **D24/155**

(58) **Field of Classification Search**
USPC D24/155-157
CPC A61B 17/0642; A61B 17/0682; A61B 17/0644; F16B 15/06
See application file for complete search history.

(56) **References Cited**

U.S. PATENT DOCUMENTS

4,014,244 A * 3/1977 Larson F16B 15/06 411/451.3
D281,814 S * 12/1985 Pratt D24/145

D484,032 S * 12/2003 Del Re D8/390
7,398,907 B2 * 7/2008 Racenet A61B 17/0644 227/176.1
D625,417 S * 10/2010 Fox D24/171
9,017,331 B2 * 4/2015 Fox A61B 17/0642 606/75
9,107,661 B2 * 8/2015 Euteneuer A61B 17/0642
9,271,726 B2 * 3/2016 Euteneuer A61B 17/0642
9,295,463 B2 * 3/2016 Viola A61B 17/0057
9,402,624 B1 * 8/2016 Scott A61B 17/0642
D780,311 S * 2/2017 Cheney D24/155
9,855,036 B2 * 1/2018 Palmer A61B 17/0642
10,016,198 B2 * 7/2018 Morgan A61B 17/068

* cited by examiner

Primary Examiner — Charles D Hanson

(74) *Attorney, Agent, or Firm* — Christopher L. Makay

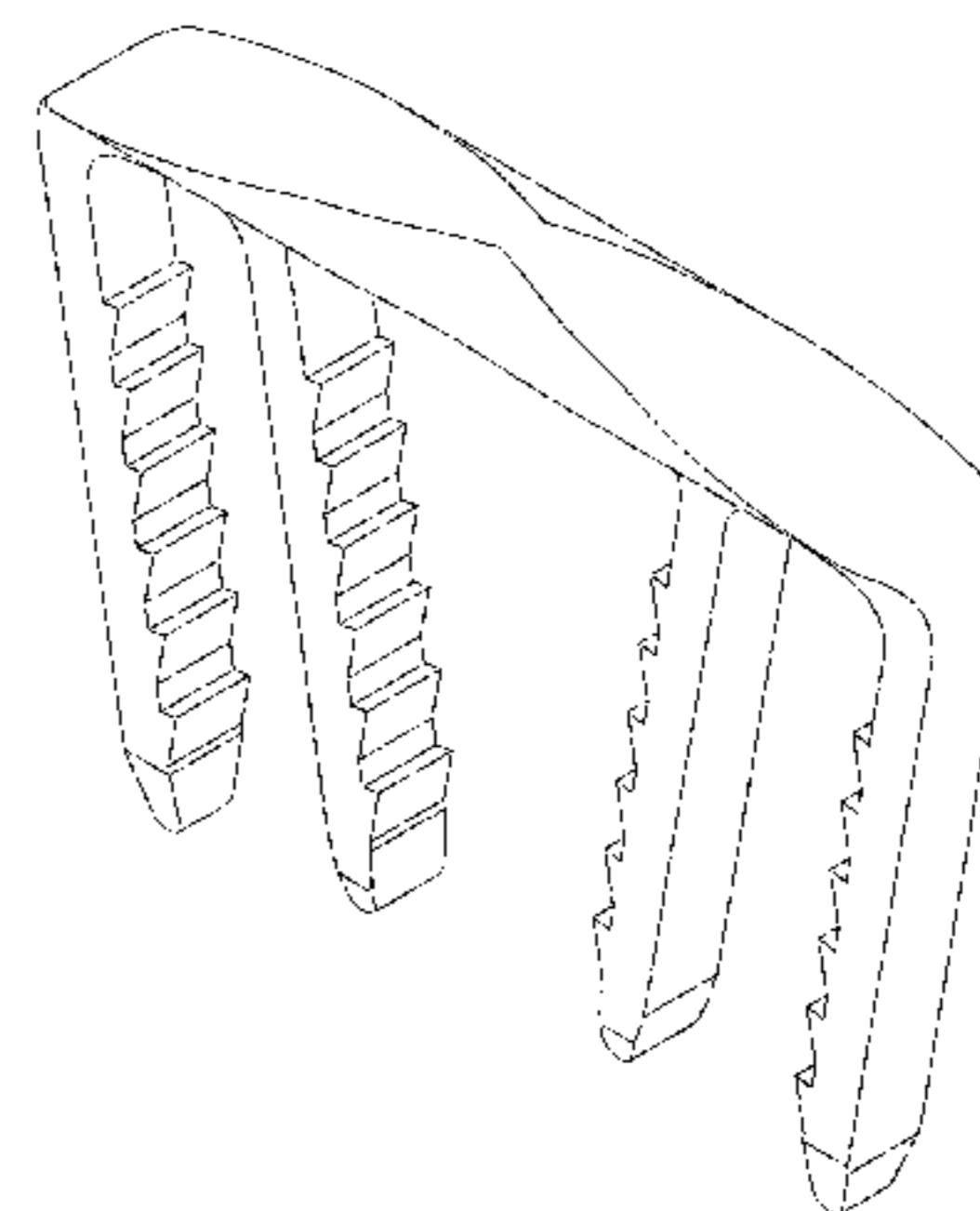
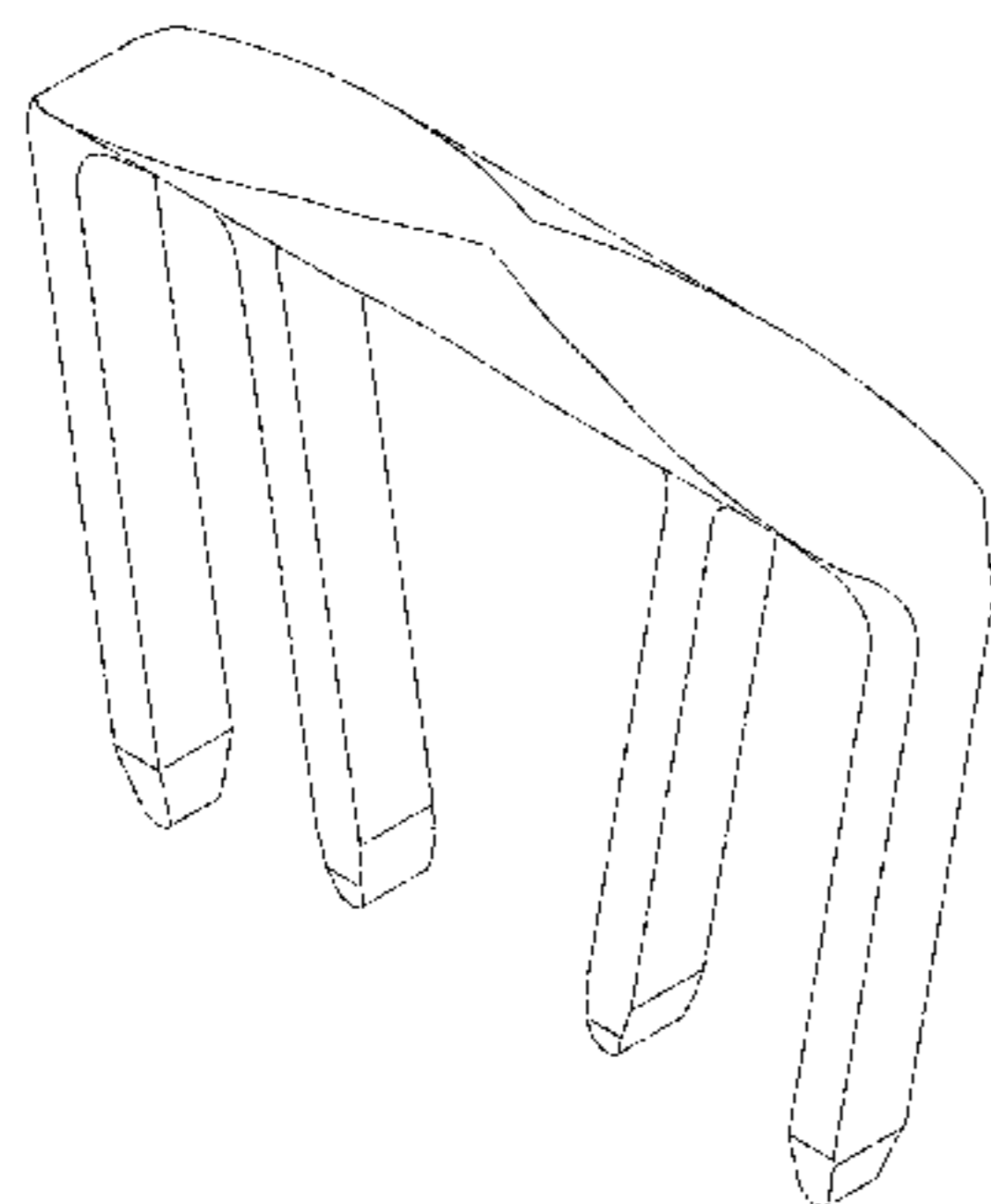
(57) **CLAIM**

The ornamental design for an orthopedic implant, as shown and described.

DESCRIPTION

FIG. 1 is a perspective view of the orthopedic implant showing a first embodiment of our new design; FIG. 2 is a front elevational view thereof; FIG. 3 is a rear elevational view thereof; FIG. 4 is a top plan view thereof; FIG. 5 is a bottom plan view thereof; FIG. 6 is a left side elevational view thereof; FIG. 7 is a right side elevational view thereof; FIG. 8 is a perspective view of the orthopedic implant showing a second embodiment of our new design; FIG. 9 is a front elevational view thereof; FIG. 10 is a rear elevational view thereof; FIG. 11 is a top plan view thereof; FIG. 12 is a bottom plan view thereof; FIG. 13 is a left side elevational view thereof; and, FIG. 14 is a right side elevational view thereof.

1 Claim, 10 Drawing Sheets



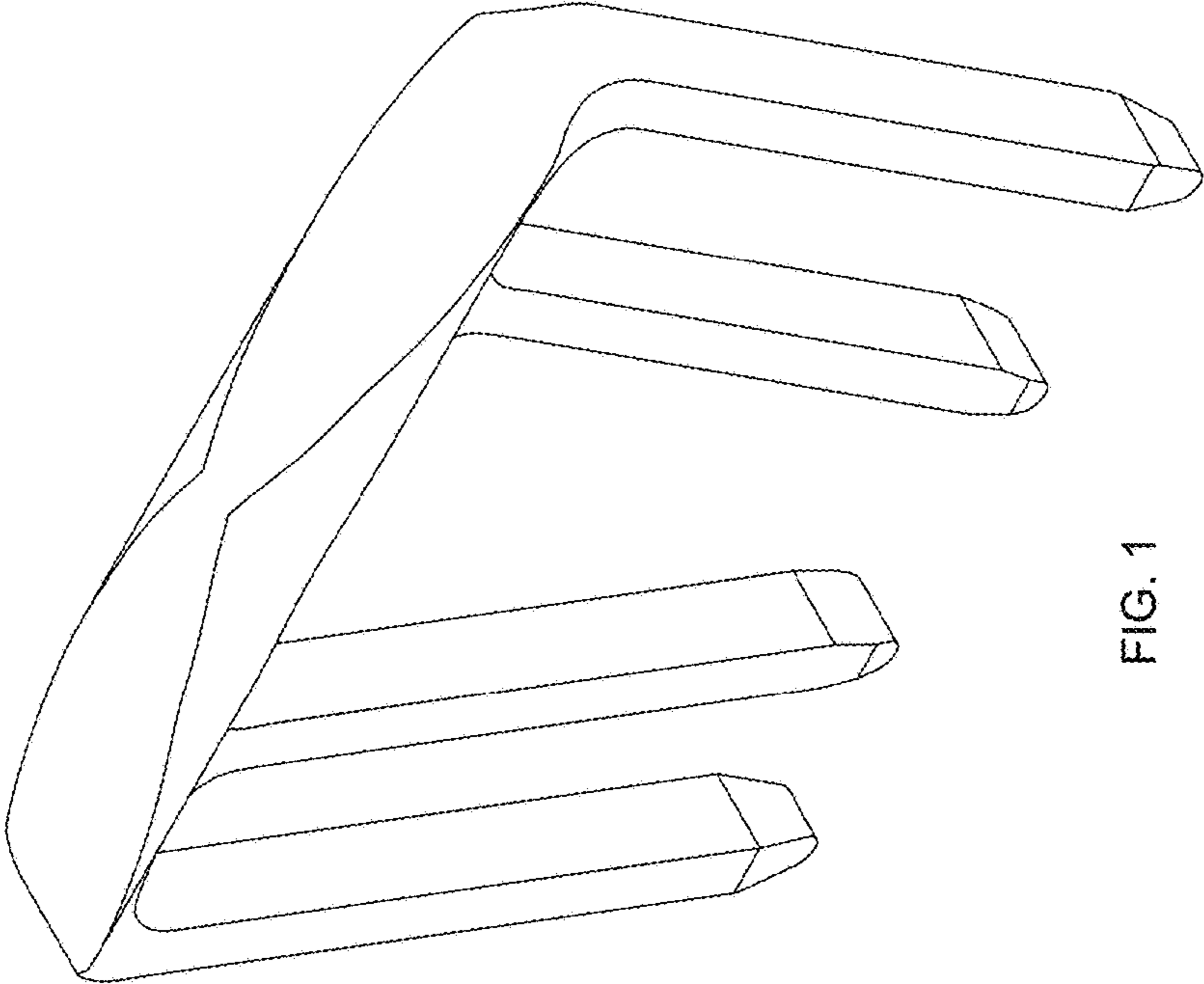


FIG. 1

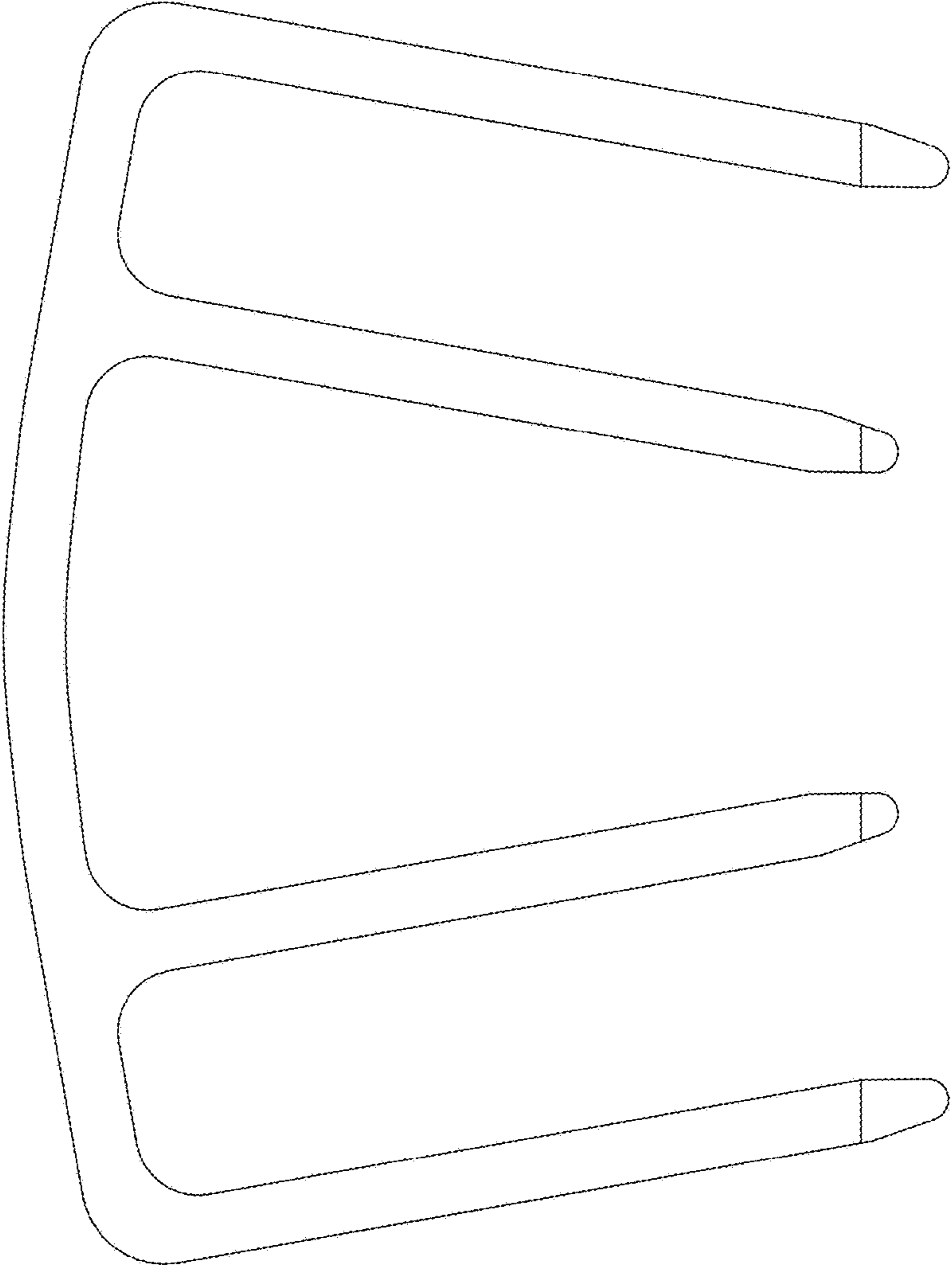


FIG. 2

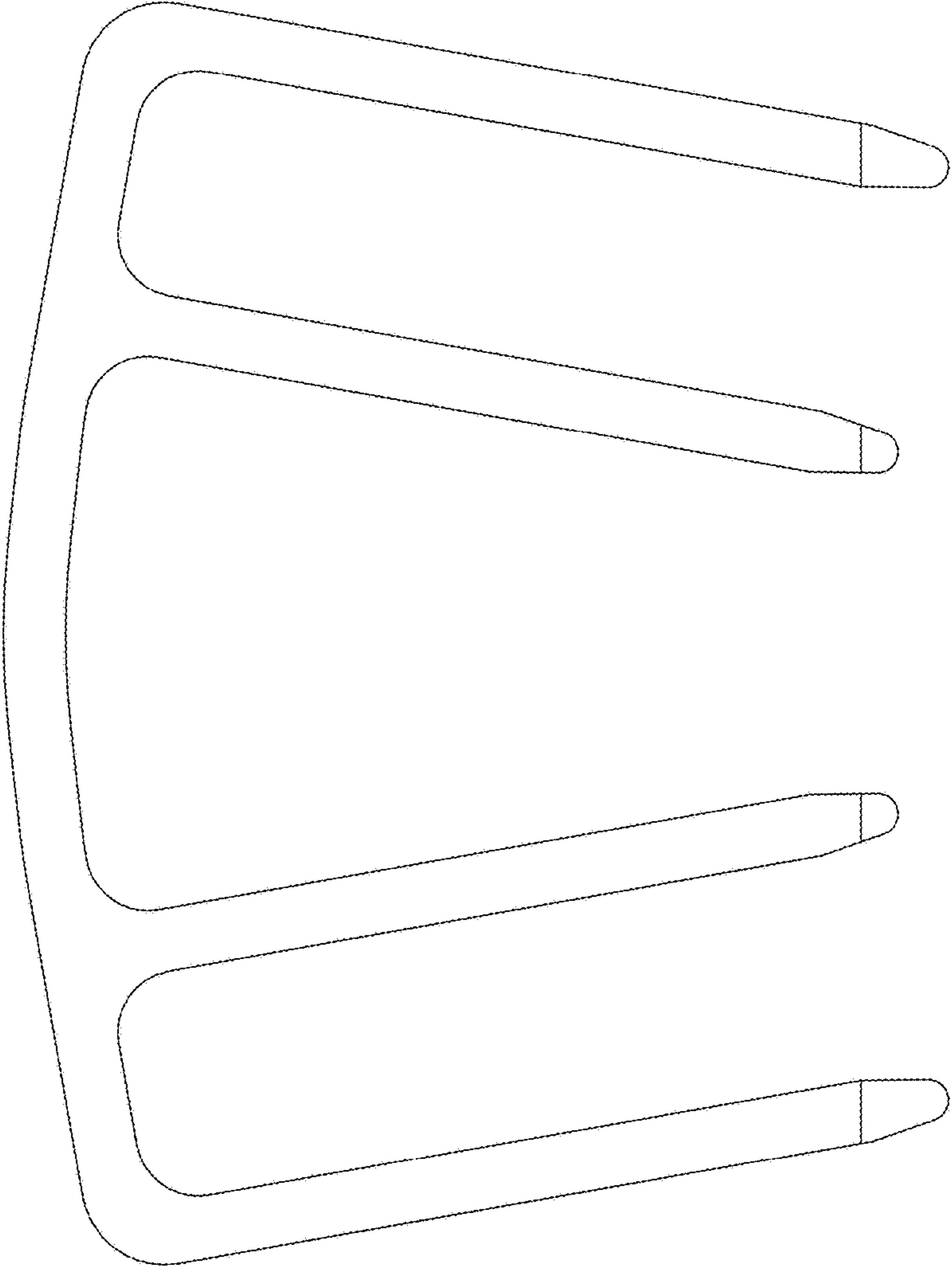


FIG. 3

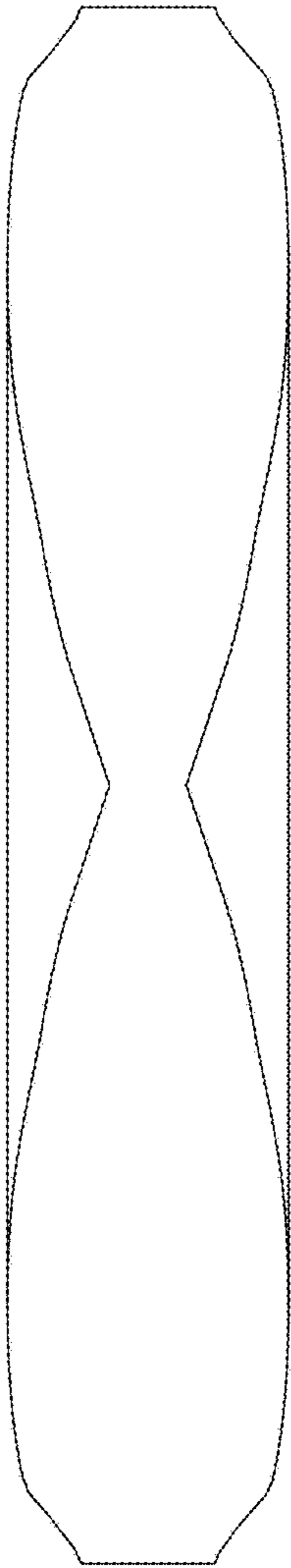


FIG. 4

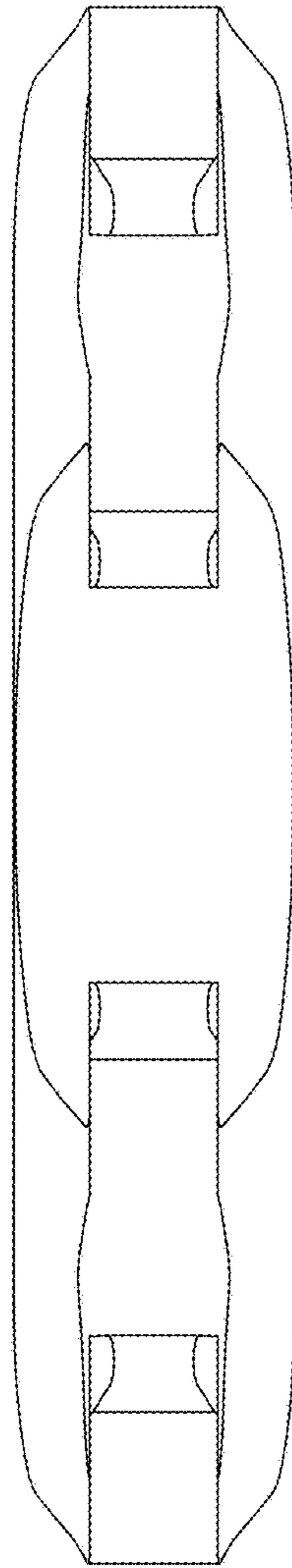


FIG. 5

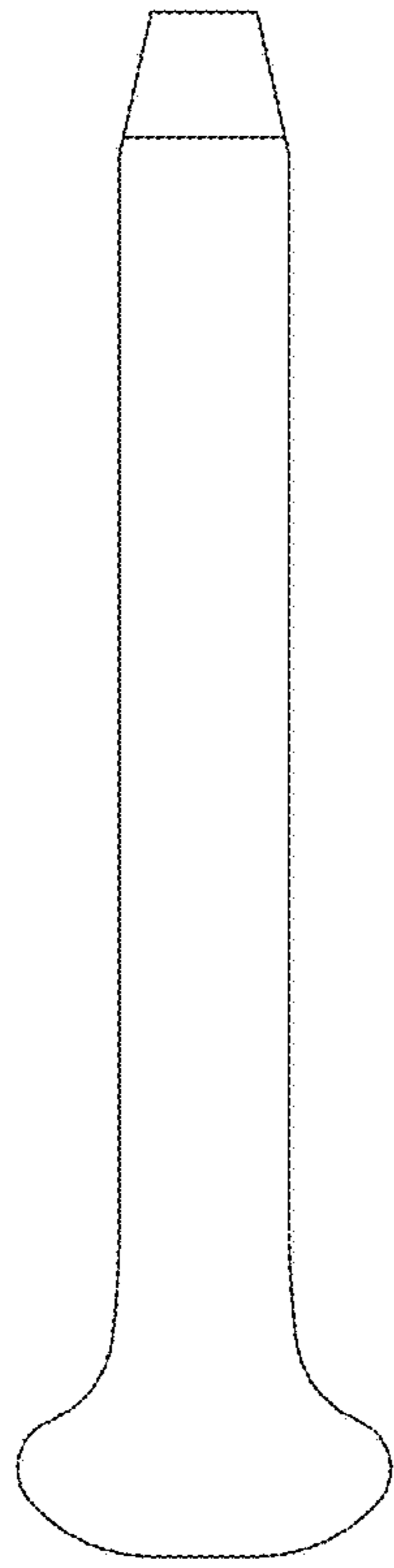


FIG. 6

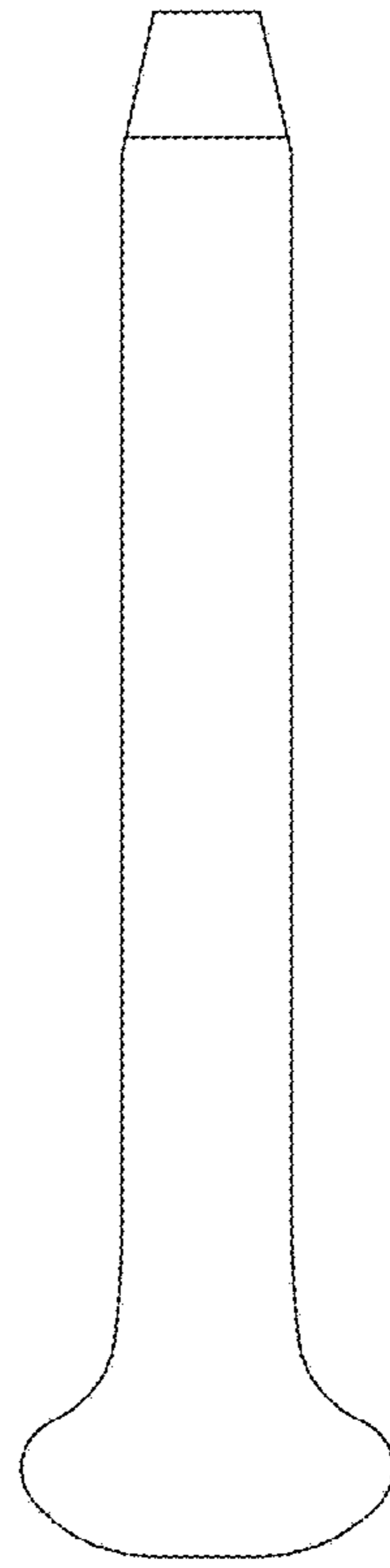


FIG. 7

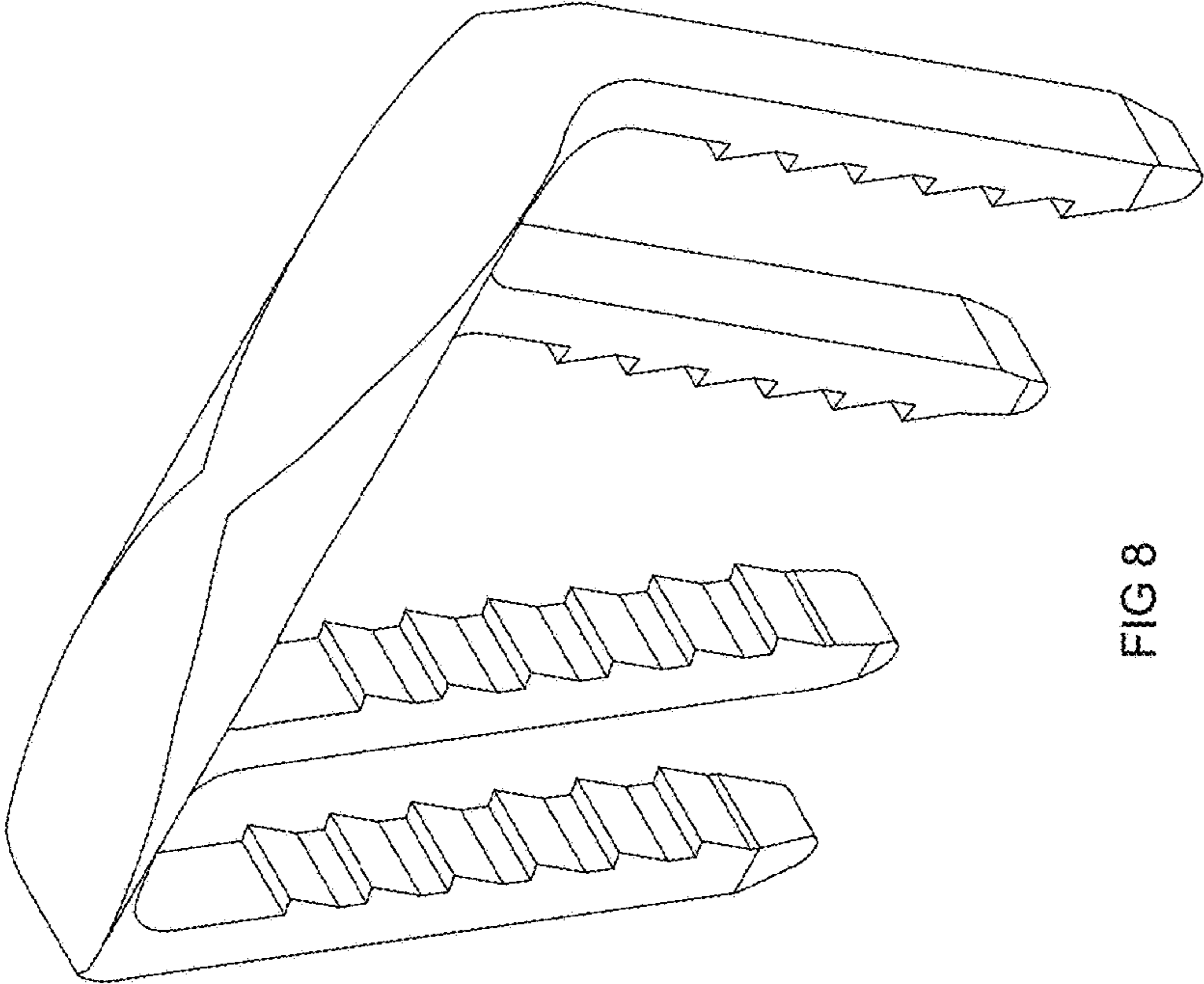


FIG 8

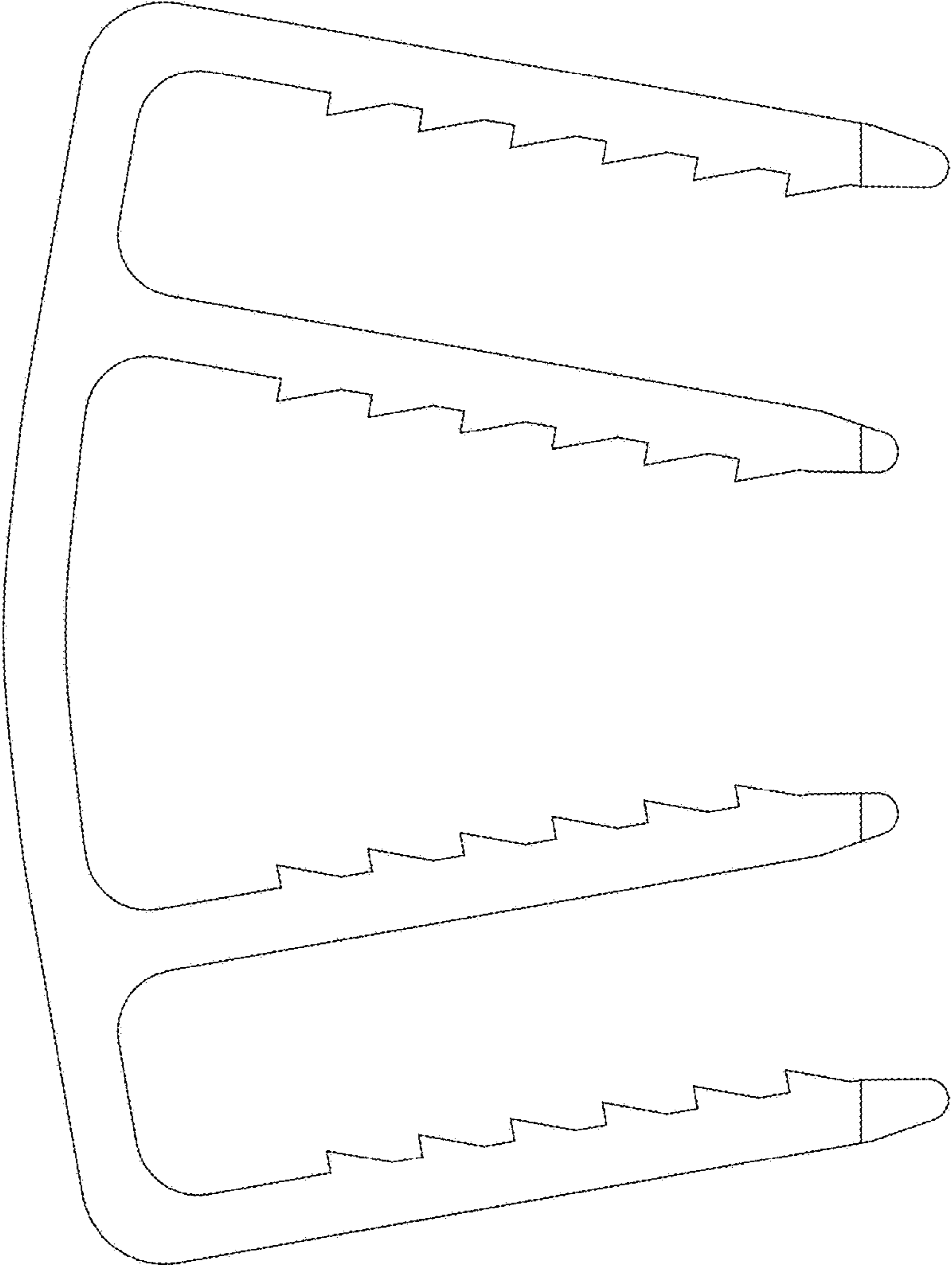


FIG 9

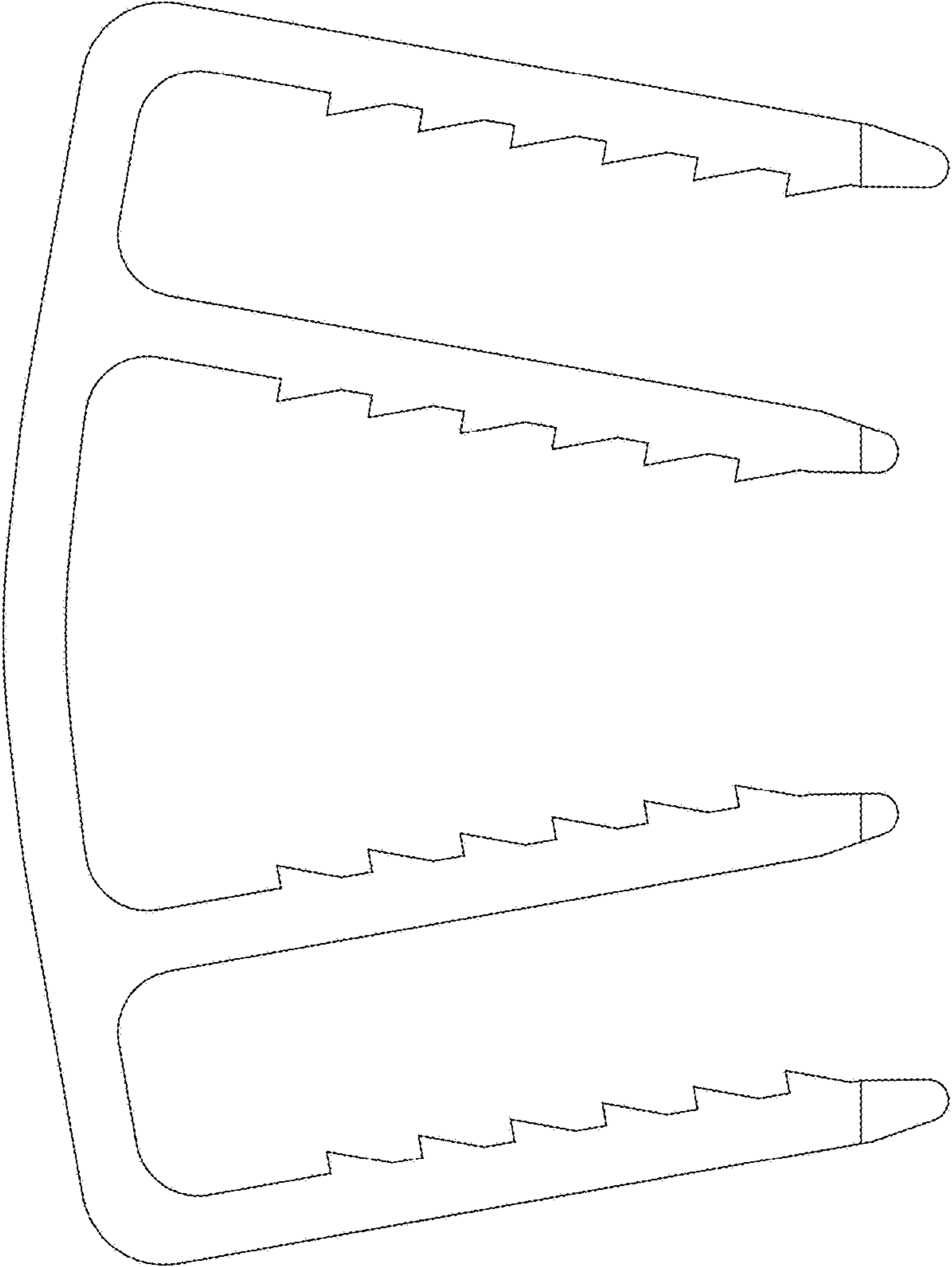


FIG 10

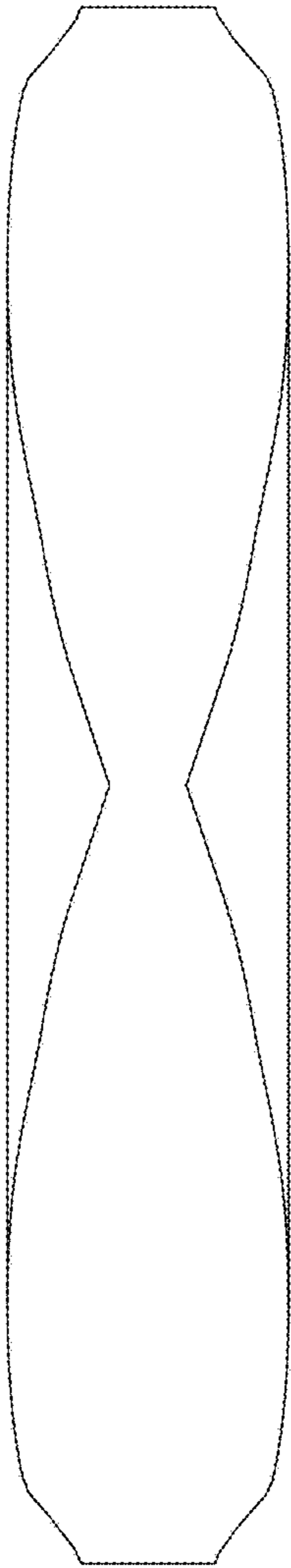


FIG 11

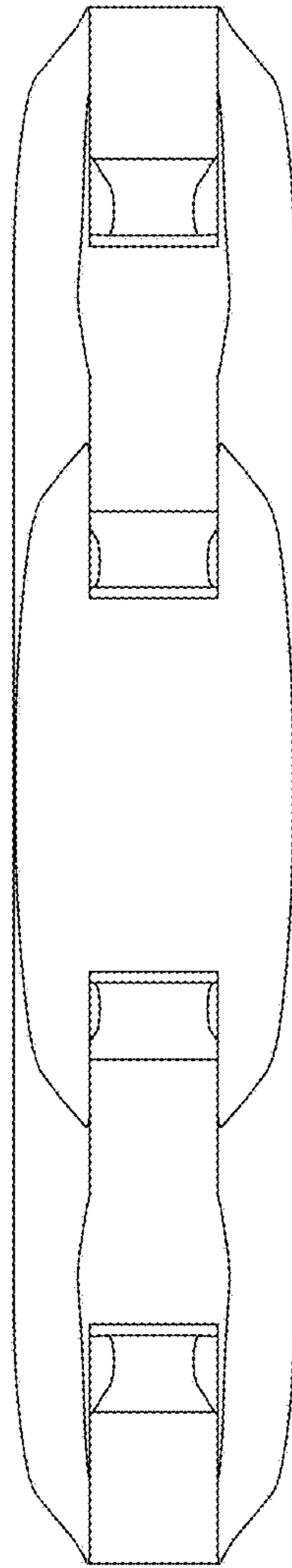


FIG 12

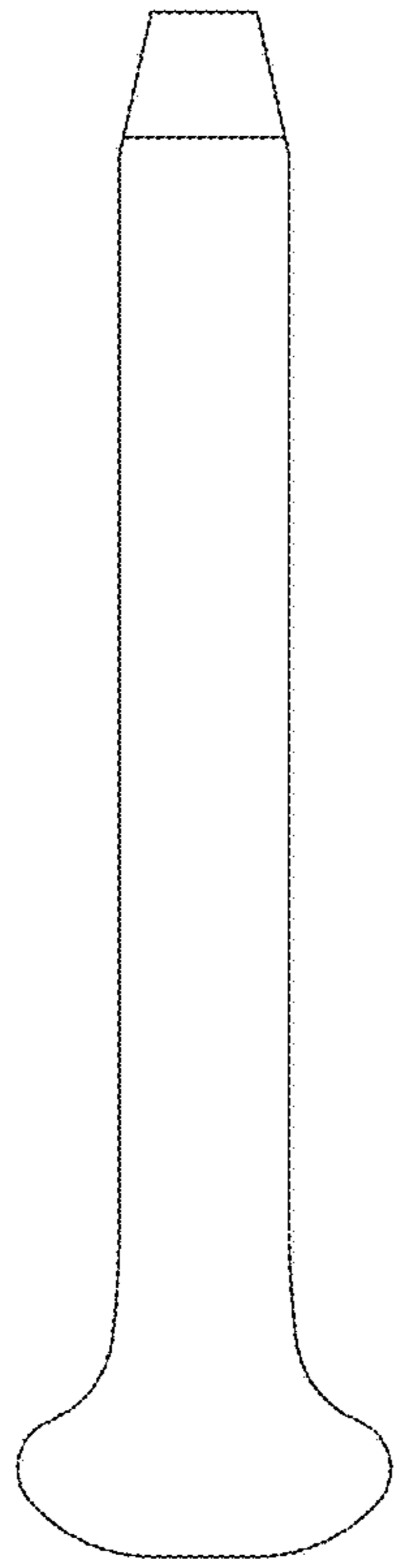


FIG 13

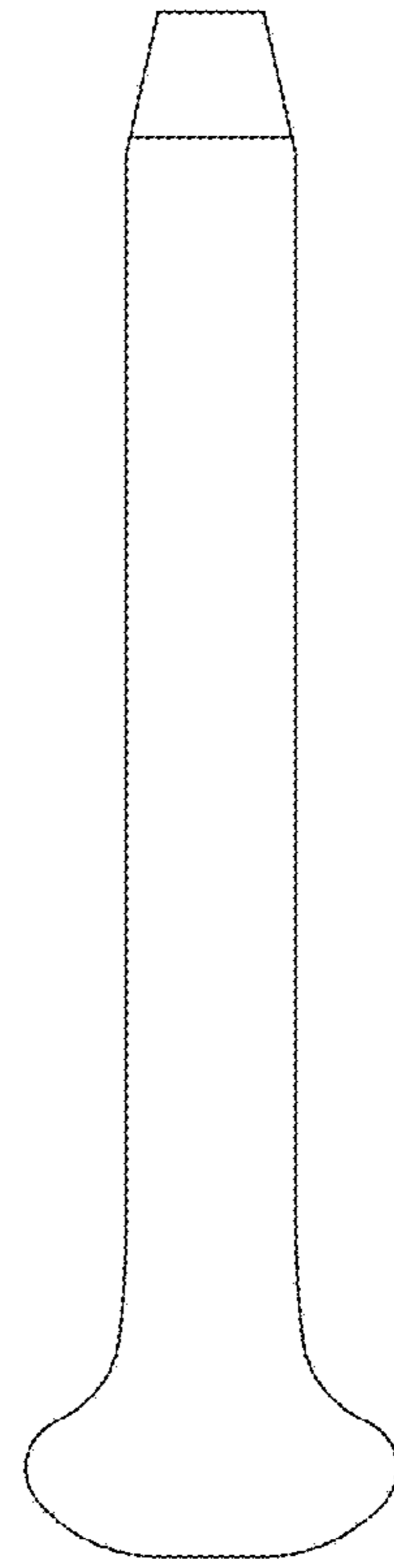


FIG 14