



US00D857198S

(12) **United States Design Patent**
Jamison

(10) **Patent No.:** **US D857,198 S**

(45) **Date of Patent:** **** Aug. 20, 2019**

(54) **DENTAL DRILL GUIDE POSITIONING RING**

(71) Applicant: **GRS Guide System, Inc.**, Beverly Hills, CA (US)

(72) Inventor: **Mark Bennett Jamison**, Los Angeles, CA (US)

(73) Assignee: **GRS Guide System, Inc.**, Beverly Hills, CA (US)

(**) Term: **15 Years**

(21) Appl. No.: **29/646,789**

(22) Filed: **May 7, 2018**

Related U.S. Application Data

(63) Continuation of application No. 14/961,457, filed on Dec. 7, 2015, now Pat. No. 9,987,101, which is a continuation of application No. 14/679,285, filed on Apr. 6, 2015, now Pat. No. 9,211,165, which is a continuation-in-part of application No. 14/255,654, filed on Apr. 17, 2014, now Pat. No. 9,113,982.

(51) **LOC (12) Cl.** **24-02**

(52) **U.S. Cl.**
USPC **D24/140**

(58) **Field of Classification Search**
USPC D24/140, 133, 152, 176, 181, 155, 156
CPC A61C 1/082; A61C 1/084; A61C 1/085;
A61C 3/04; A61C 11/06
See application file for complete search history.

(56) **References Cited**

U.S. PATENT DOCUMENTS

D625,007 S * 10/2010 Macken D24/140
D652,144 S * 1/2012 Stotland D24/140

D679,012 S * 3/2013 Gleixner D24/133
D721,436 S * 1/2015 Ting D24/152
9,113,982 B1 * 8/2015 Jamison A61C 1/084
9,211,165 B2 * 12/2015 Jamison A61C 1/084
D752,751 S * 3/2016 Radzinsky A61F 2/76
D24/155
D788,300 S * 5/2017 Kubiak D24/133
D799,037 S * 10/2017 Kubiak D24/140
9,987,101 B2 * 6/2018 Jamison A61C 1/084
2015/0265373 A1 * 9/2015 Jamison A61C 1/084
433/173
2016/0310232 A1 * 10/2016 Jamison A61C 1/084
2018/0250097 A1 * 9/2018 Jamison A61C 1/084

* cited by examiner

Primary Examiner — Bridget L Eland

(74) *Attorney, Agent, or Firm* — Proskauer Rose LLP

(57) **CLAIM**

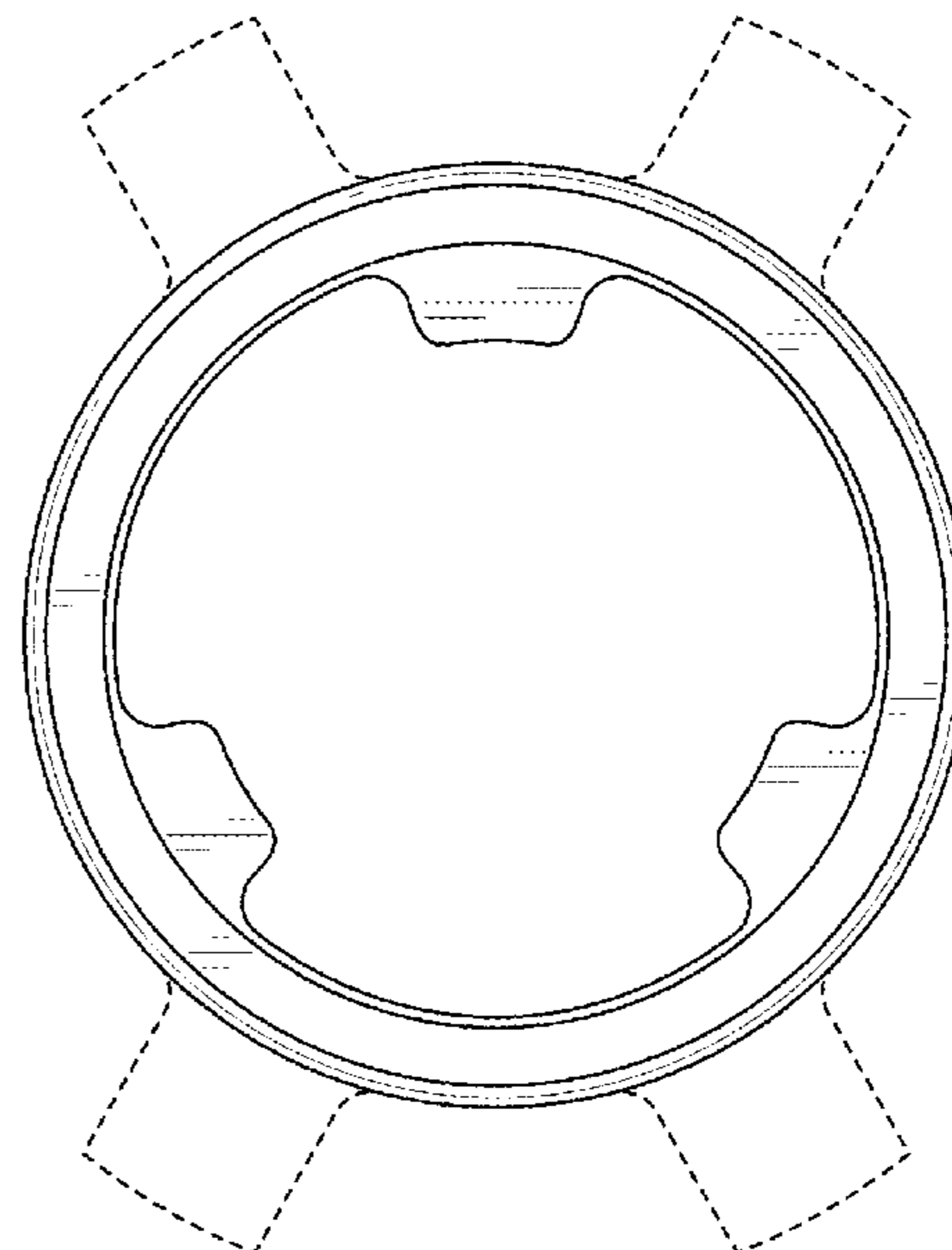
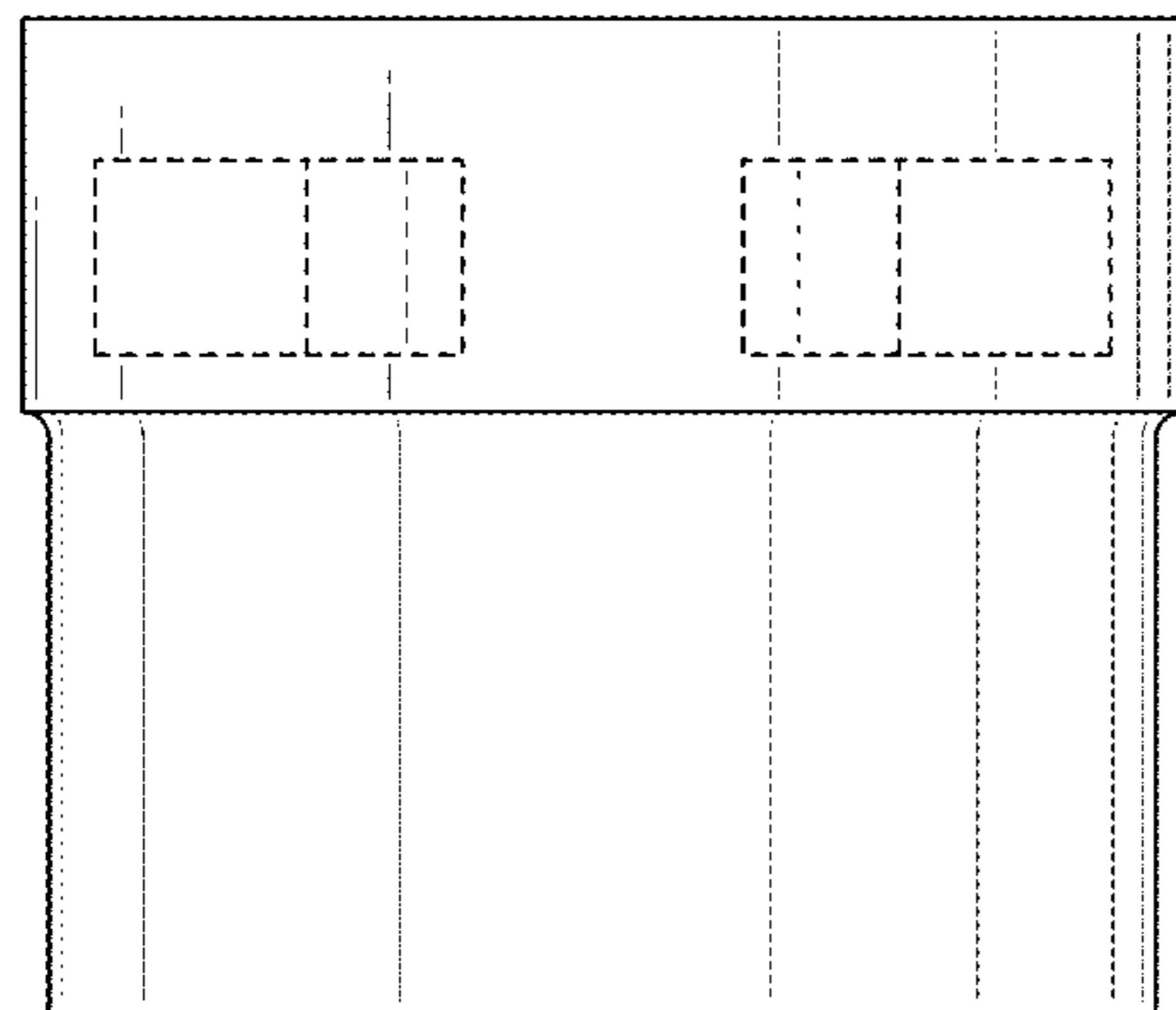
The ornamental design for a dental drill guide positioning ring, substantially as shown and described.

DESCRIPTION

FIG. 1 is a perspective view of a dental drill guide positioning ring showing my new design;
FIG. 2 is a front view thereof;
FIG. 3 is a rear view thereof;
FIG. 4 is a right side view thereof;
FIG. 5 is a left side view thereof;
FIG. 6 is a top view thereof; and,
FIG. 7 is a bottom view thereof.

The broken lines in the figures are included for the purpose of illustrating portions of the dental drill guide positioning ring that form no part of the claimed design.

1 Claim, 7 Drawing Sheets



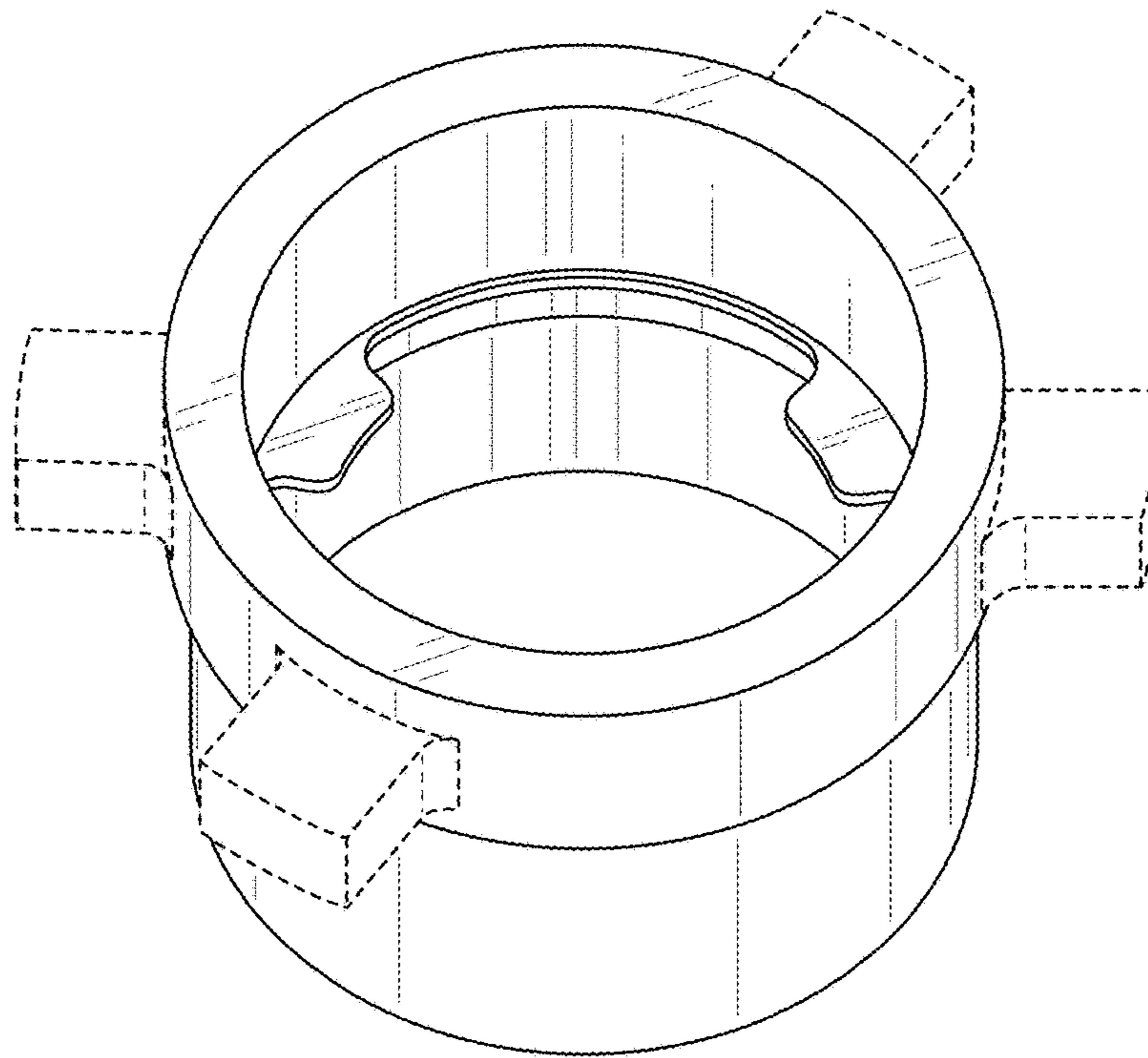


FIG. 1

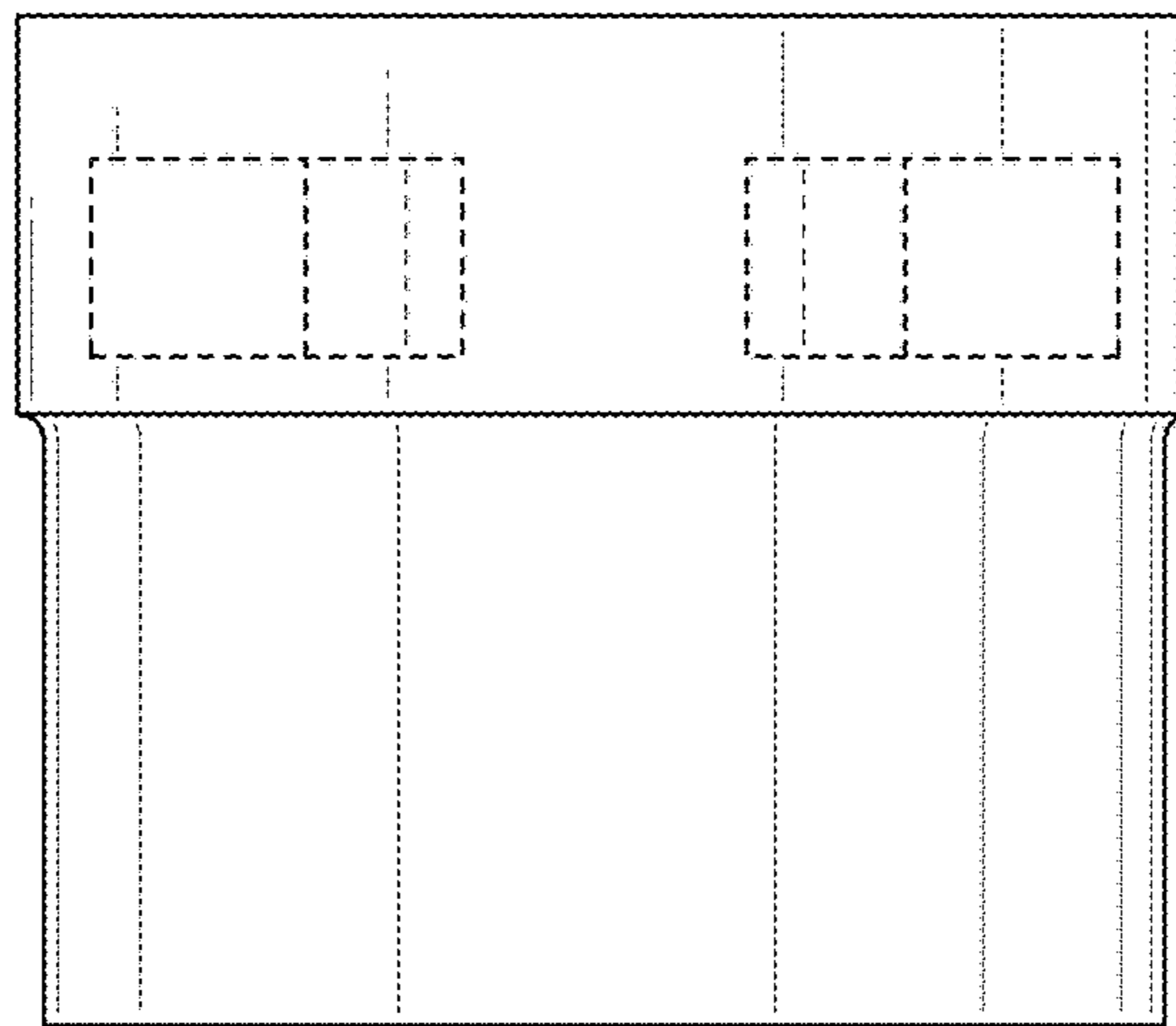


FIG. 2

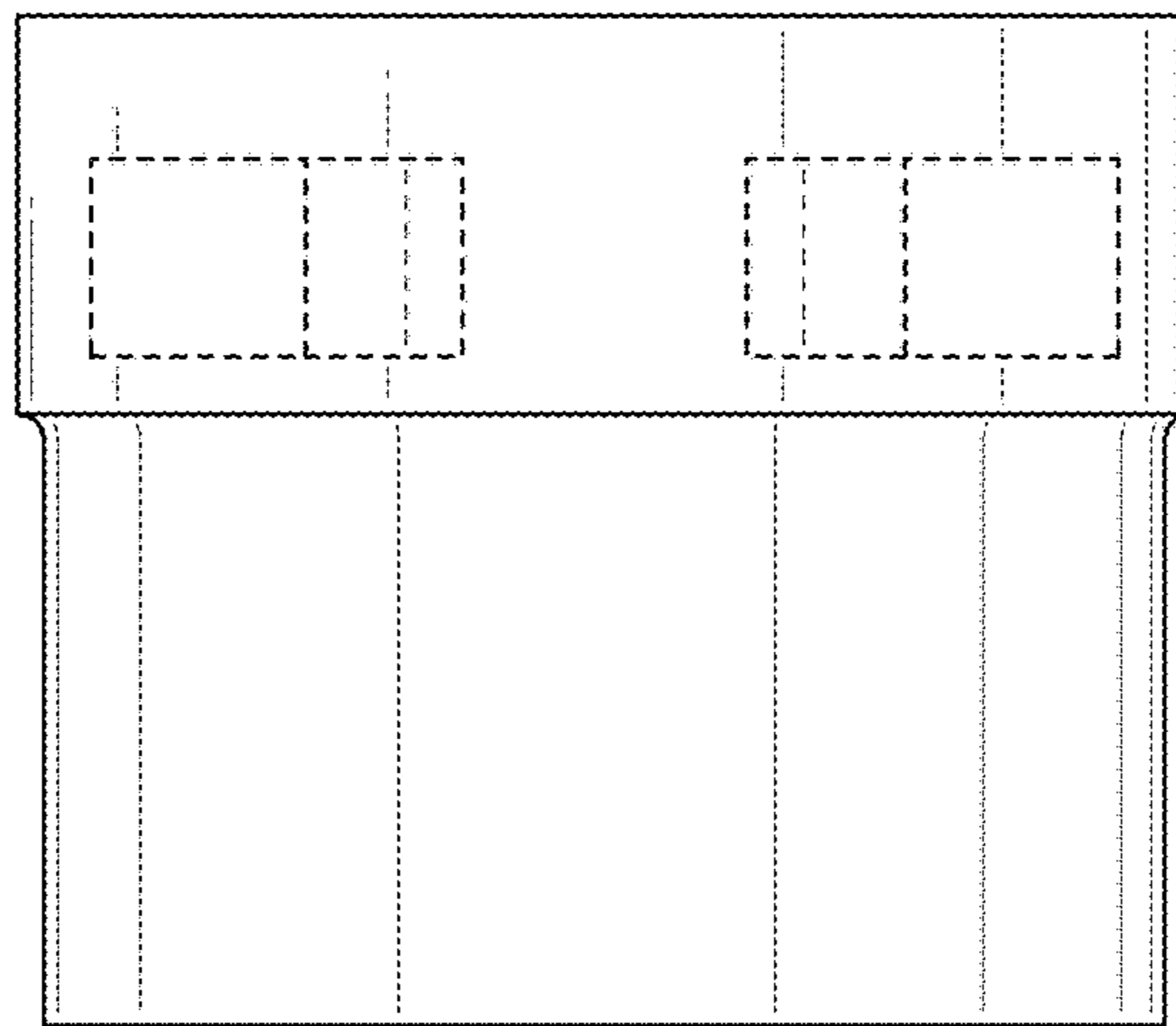


FIG. 3

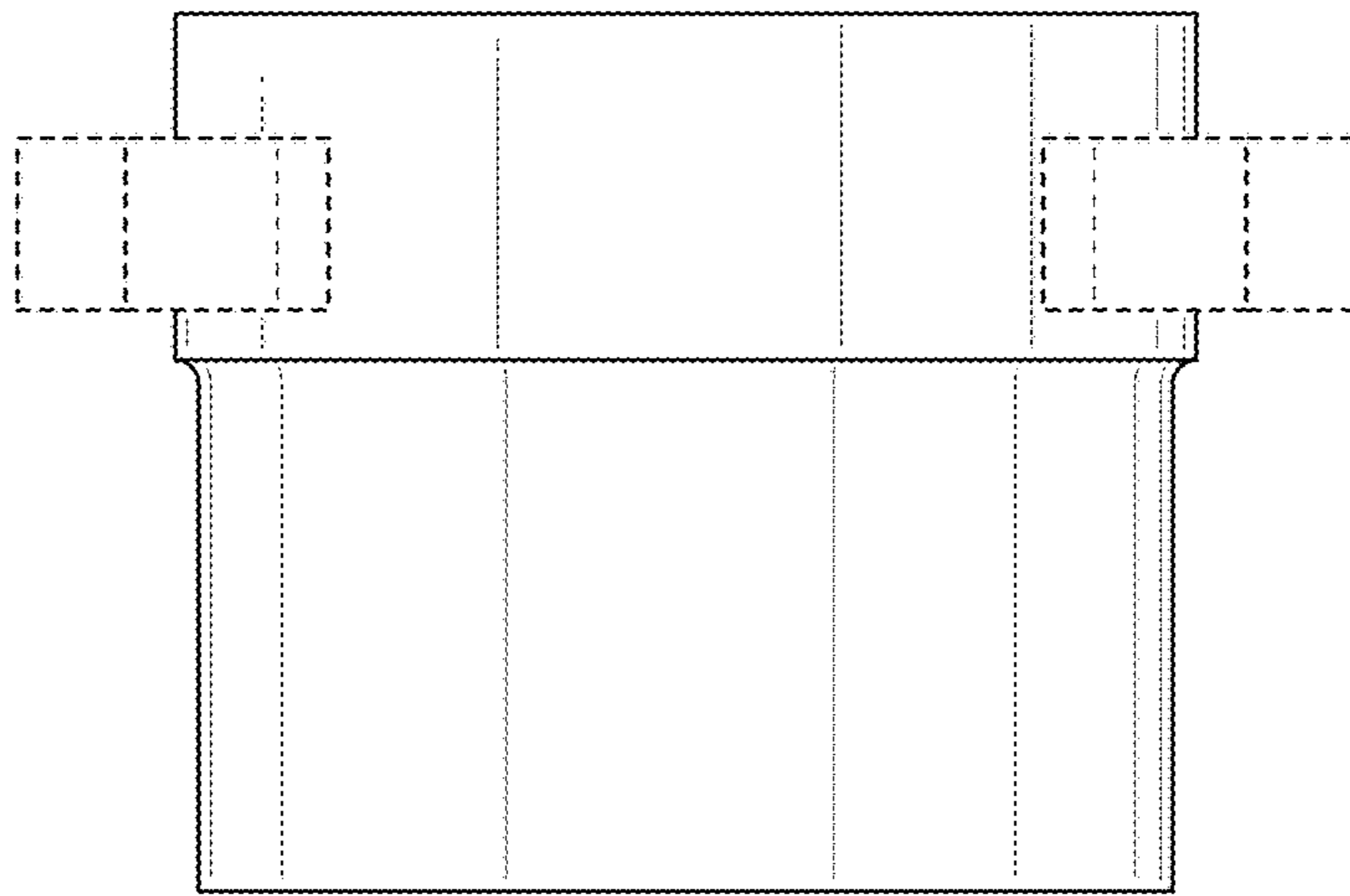


FIG. 4

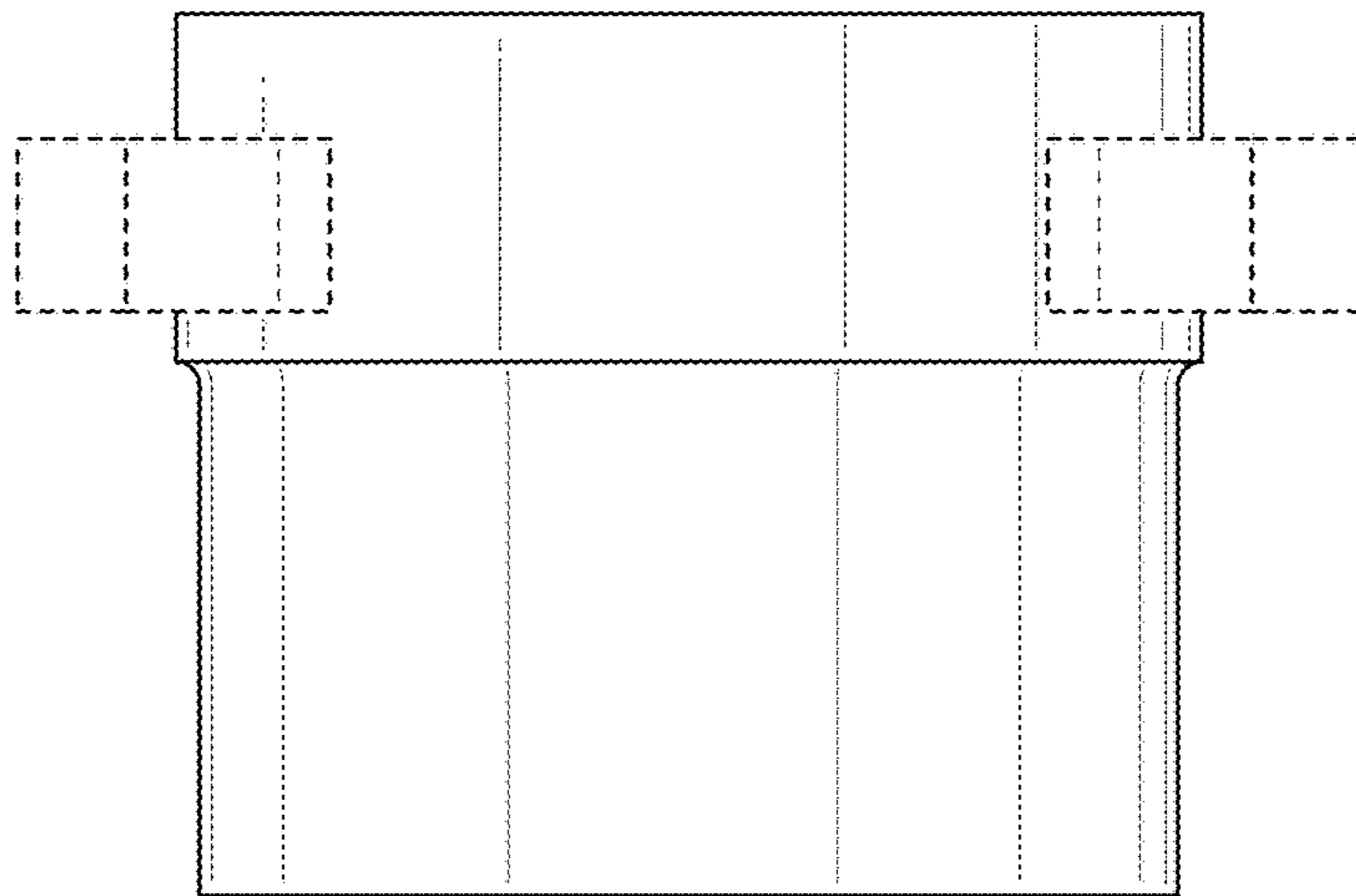


FIG. 5

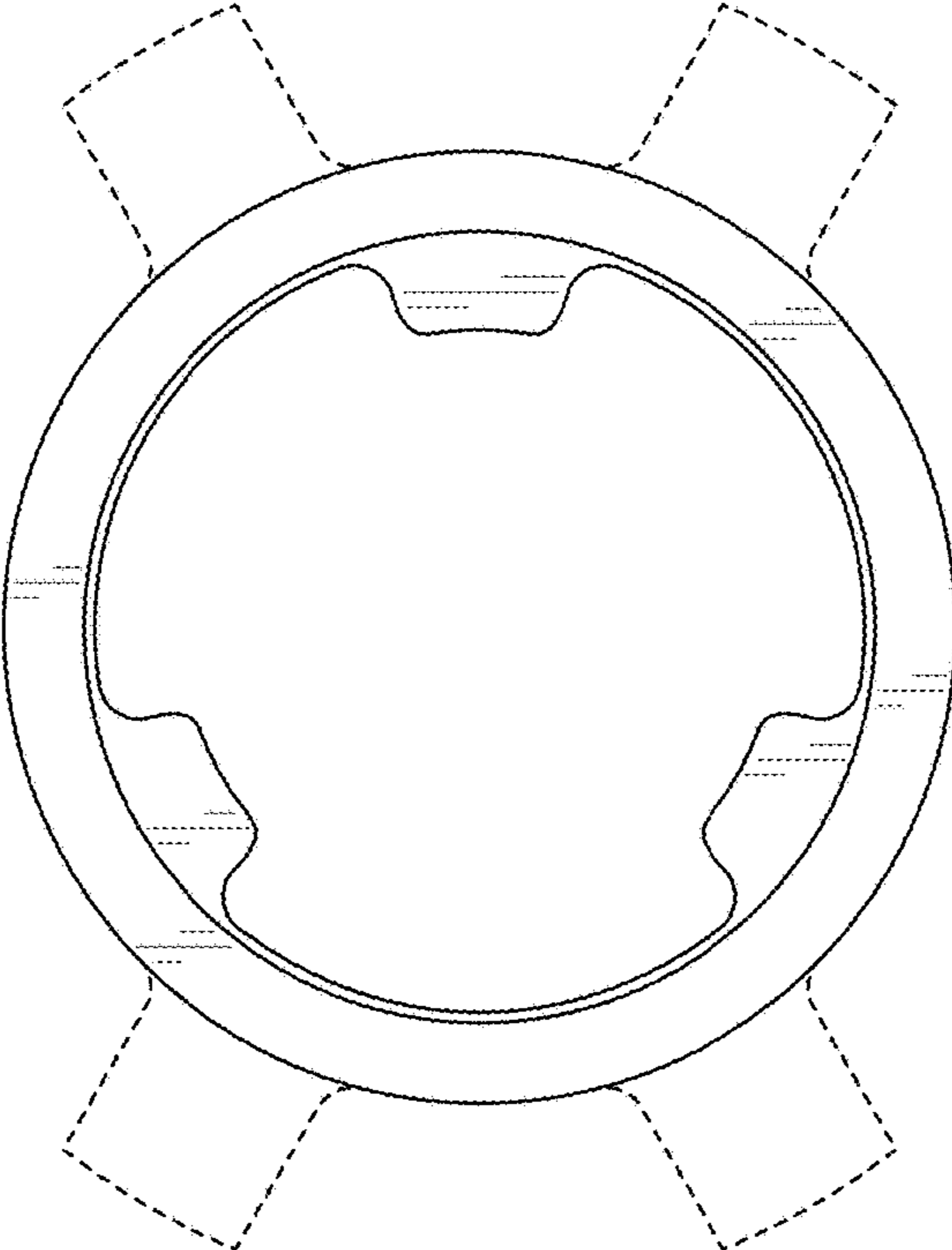


FIG. 6

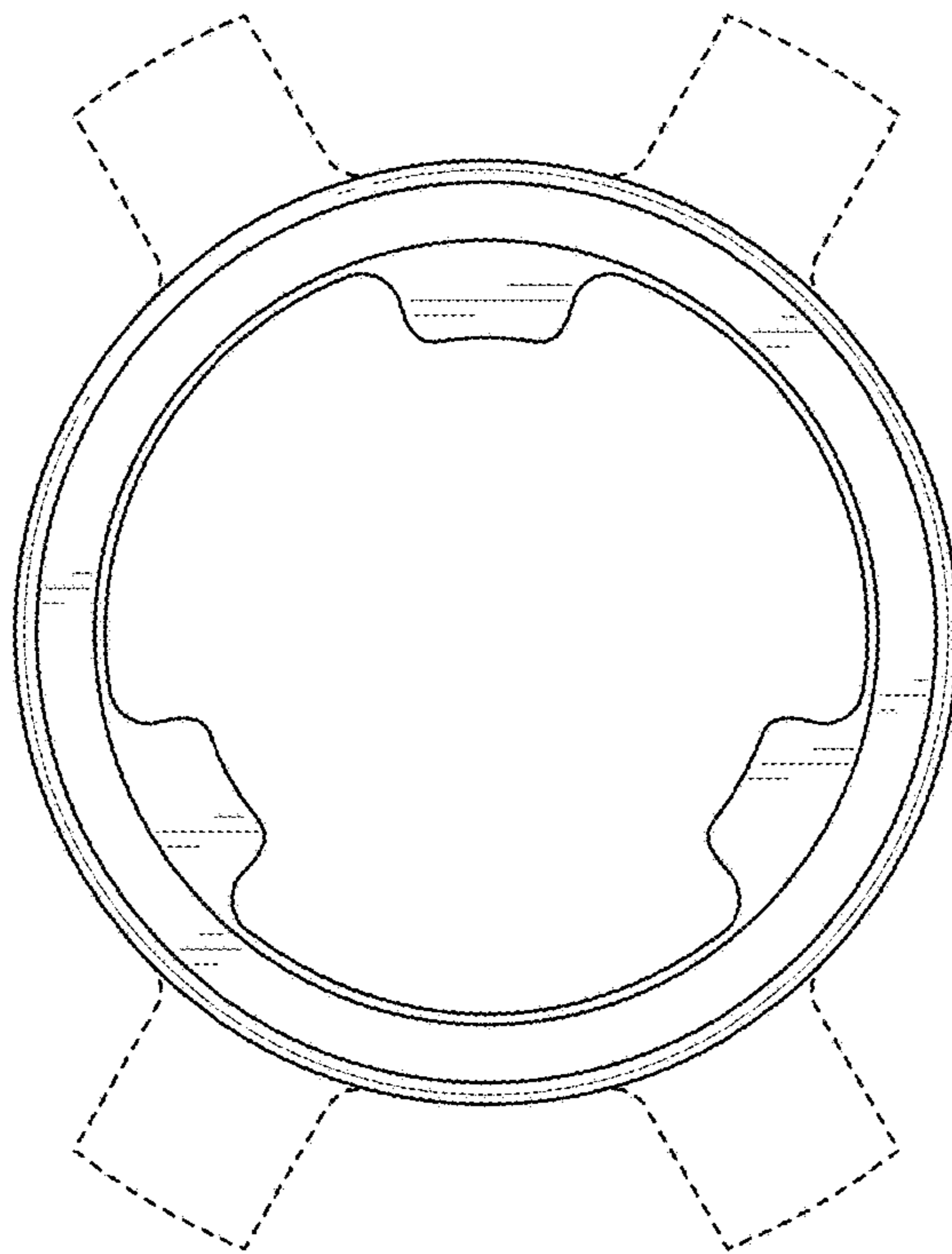


FIG. 7