



US00D857197S

(12) **United States Design Patent** (10) **Patent No.:** **US D857,197 S**
Loewe (45) **Date of Patent:** **** Aug. 20, 2019**

(54) **ELECTROMAGNETIC LOCALIZER**

(71) Applicant: **ERGOSURG GMBH**, Ismaning (DE)

(72) Inventor: **Erik Loewe**, Ismaning (DE)

(73) Assignee: **ERGOSURG GMBH**, Ismaning (DE)

(**) Term: **15 Years**

(21) Appl. No.: **29/594,209**

(22) Filed: **Feb. 16, 2017**

(30) **Foreign Application Priority Data**

Jan. 20, 2017 (EM) 003667005

(51) **LOC (12) Cl.** **24-02**

(52) **U.S. Cl.**
USPC **D24/140**

(58) **Field of Classification Search**
USPC D8/40, 382, 397; D24/133, 135, 136,
D24/140, 143, 144, 150-52, 170, 176,
D24/233

CPC . A61B 17/02; A61B 17/0206; A61B 17/0218;
A61B 17/1703; A61B 1/00; A61B 1/32
See application file for complete search history.

(56) **References Cited**

U.S. PATENT DOCUMENTS

D701,302 S * 3/2014 Jeffery D24/107
D808,524 S * 1/2018 Robichaud D24/155

D814,031 S * 3/2018 Radpour D24/141
D814,276 S * 4/2018 Ressler D8/382
D822,207 S * 7/2018 Botzer D24/152
D823,467 S * 7/2018 Uetz D24/147
D827,973 S * 9/2018 Stoner D34/35
D832,436 S * 10/2018 Loewe D24/140
2018/0263612 A1* 9/2018 Smith A61B 17/02

* cited by examiner

Primary Examiner — Garth Rademaker

Assistant Examiner — Fritzgerald L Butac

(74) *Attorney, Agent, or Firm* — Norris McLaughlin, P.A.

(57) **CLAIM**

The ornamental design for an electromagnetic localizer, as shown and described.

DESCRIPTION

FIG. 1 is a front elevation view of an electromagnetic localizer;

FIG. 2 is a side elevation view;

FIG. 3 is a rear elevation view;

FIG. 4 is a top plan view;

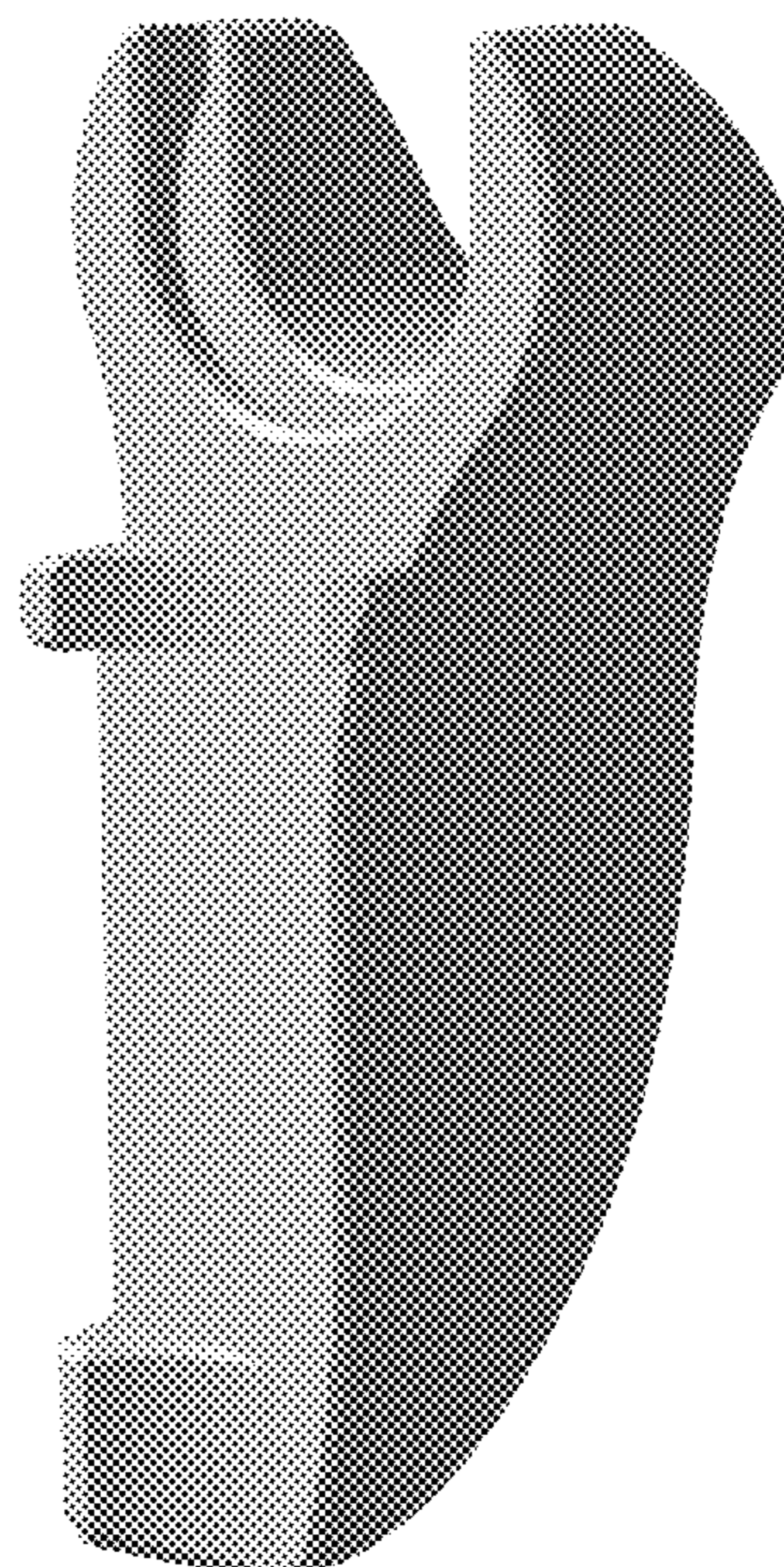
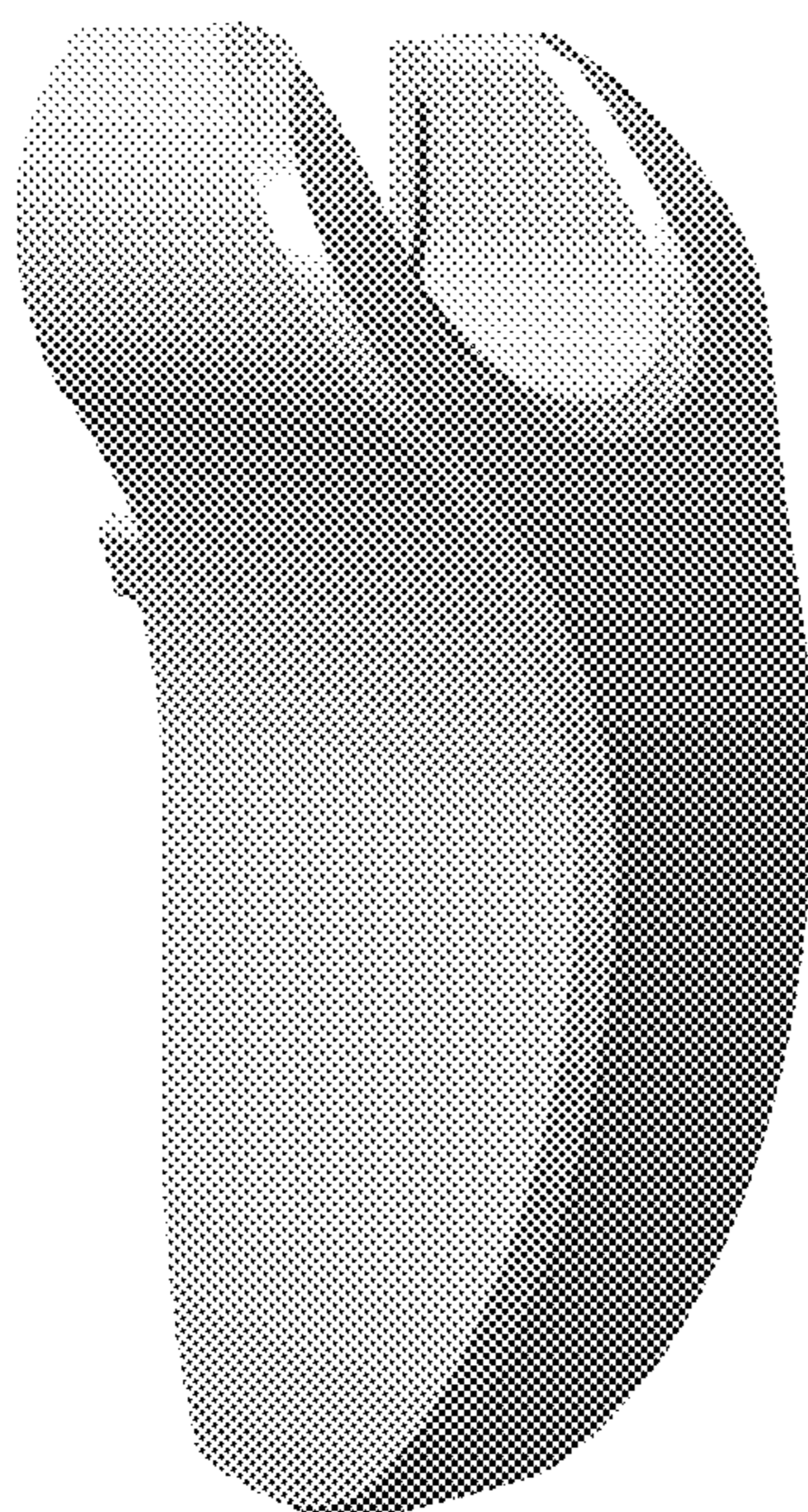
FIG. 5 is a bottom plan view;

FIG. 6 is a front perspective view; and,

FIG. 7 is a rear perspective view.

The broken lines seen in FIGS. 1-3, 6 and 7, represent environmental structure and form no part of the claimed design.

1 Claim, 7 Drawing Sheets



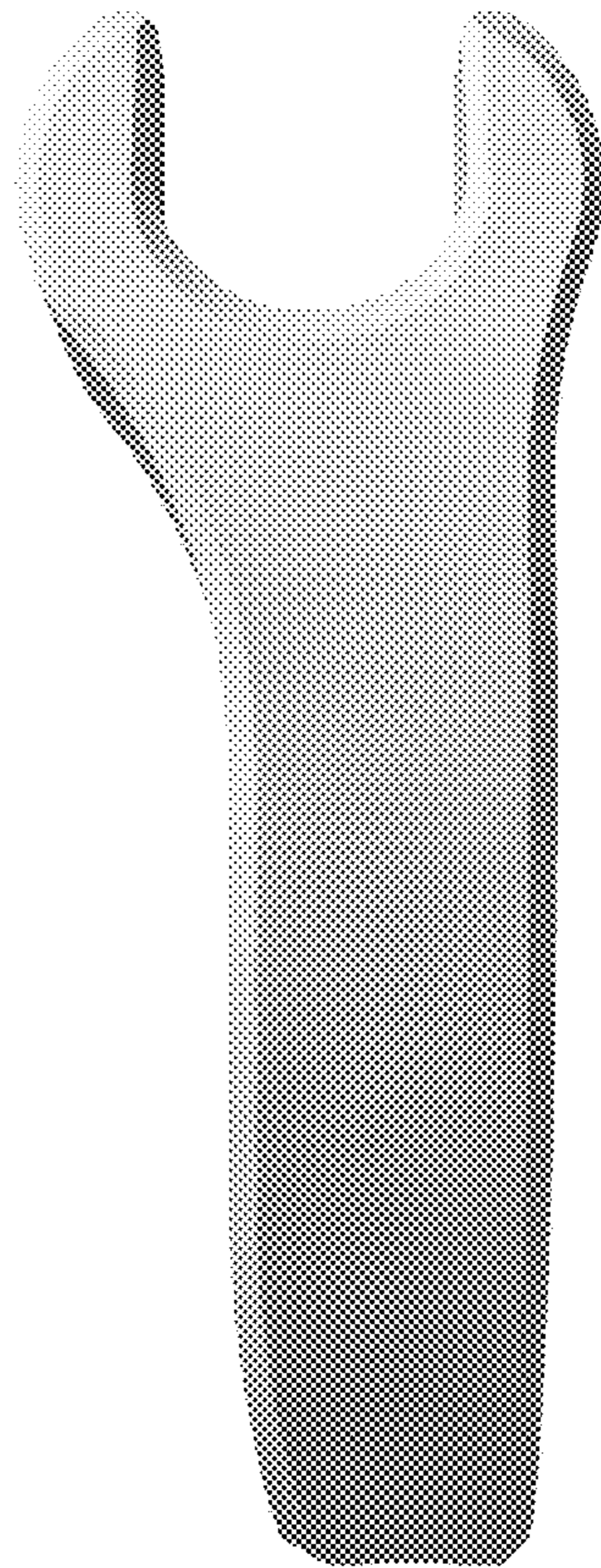


FIG. 1

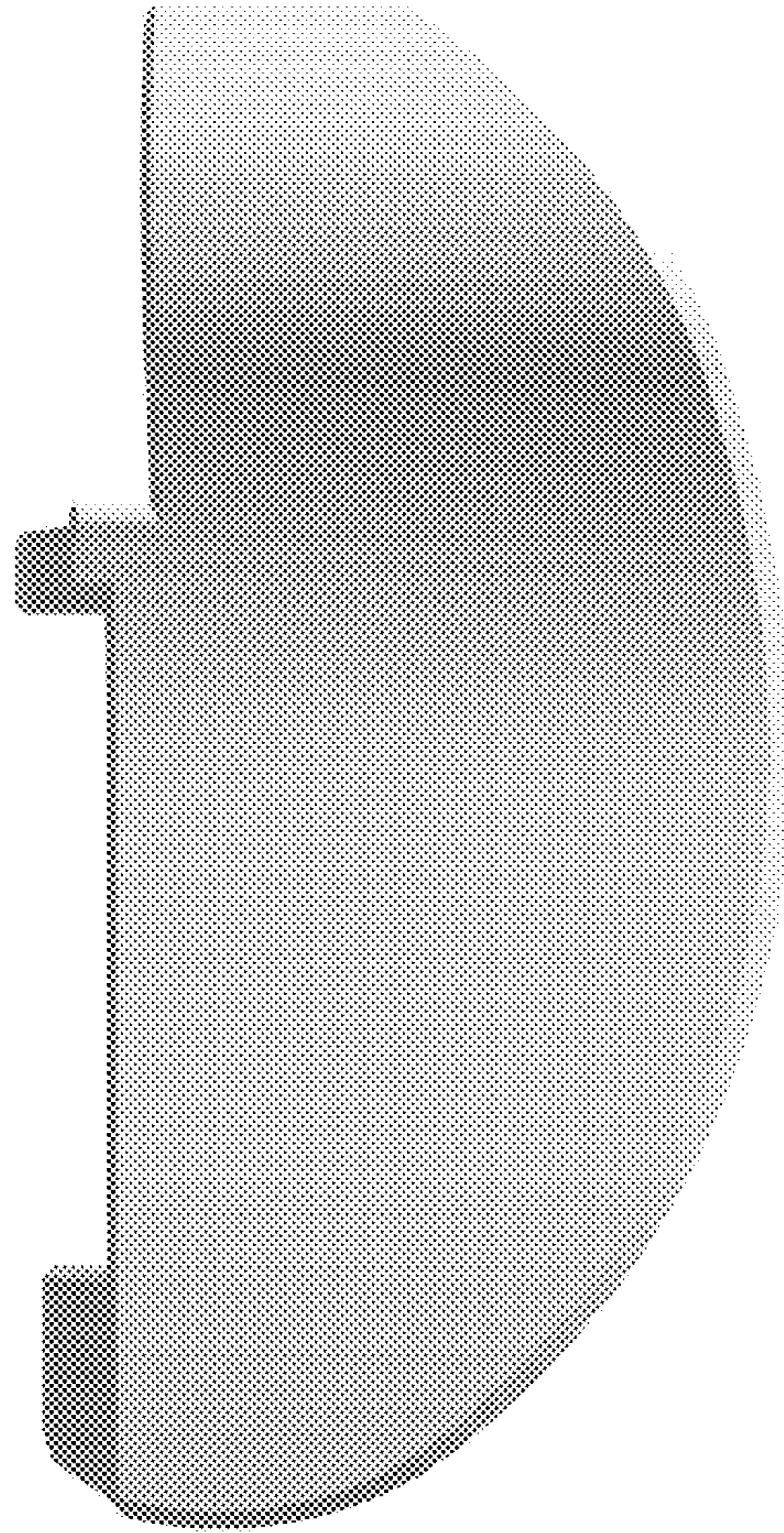


FIG. 2

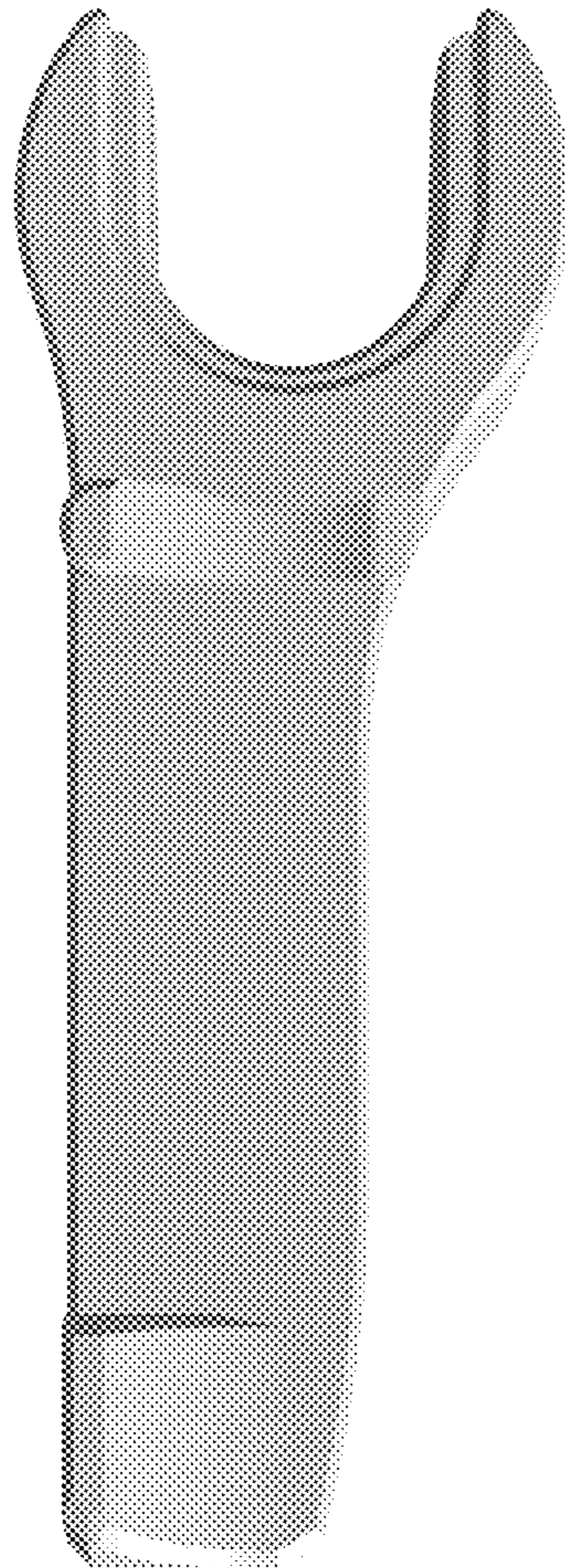


FIG. 3

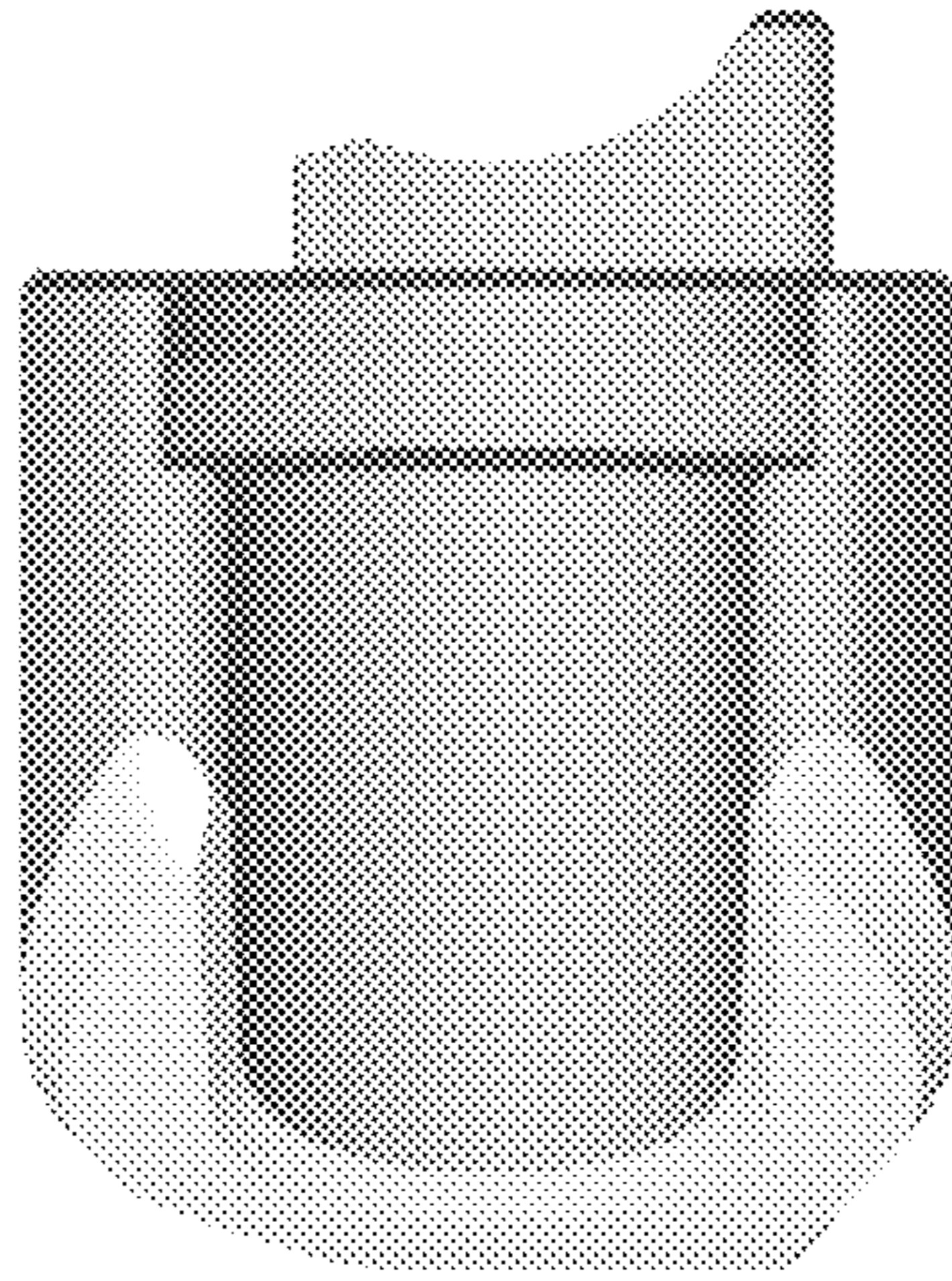


FIG. 4

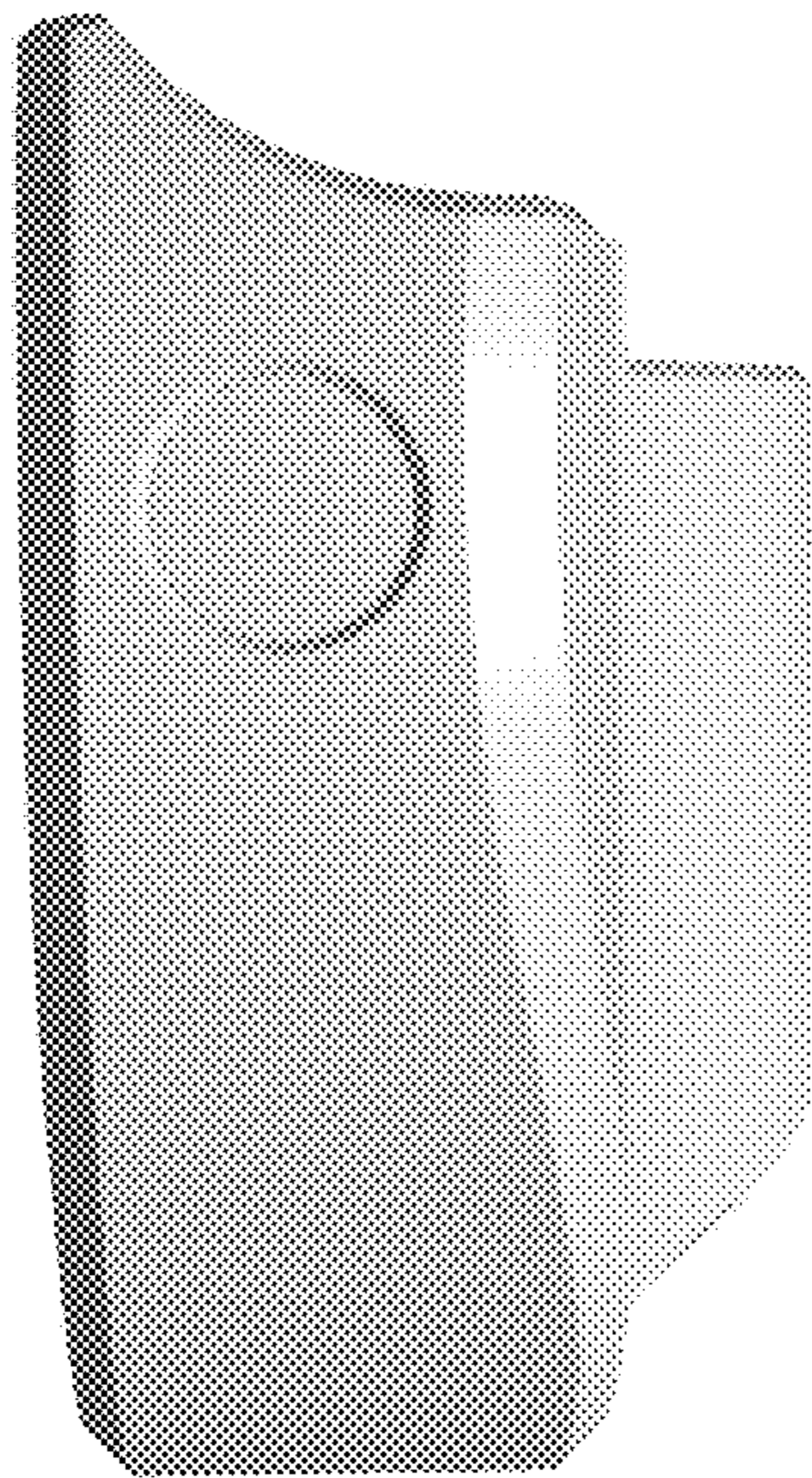


FIG. 5

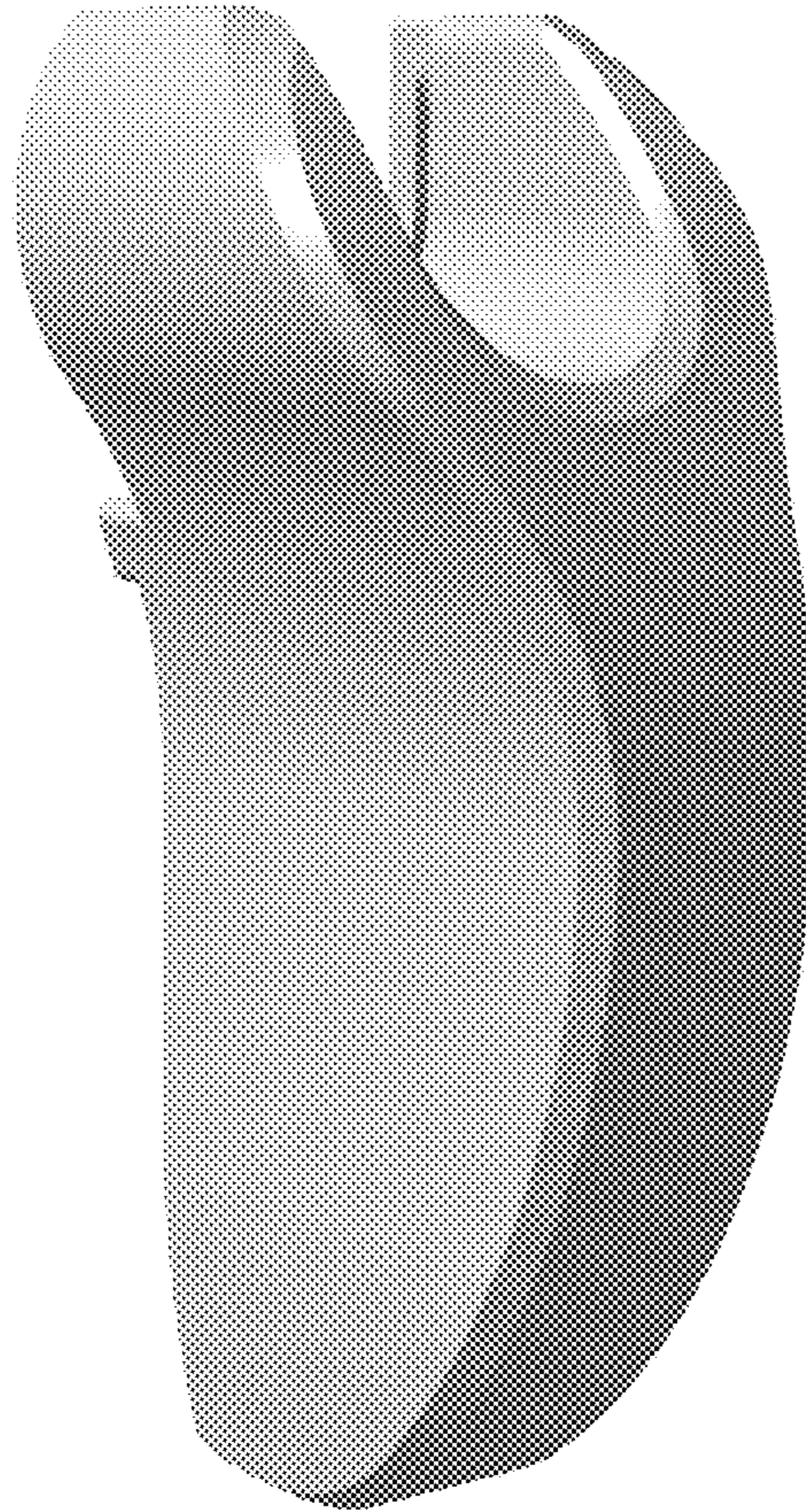


FIG. 6

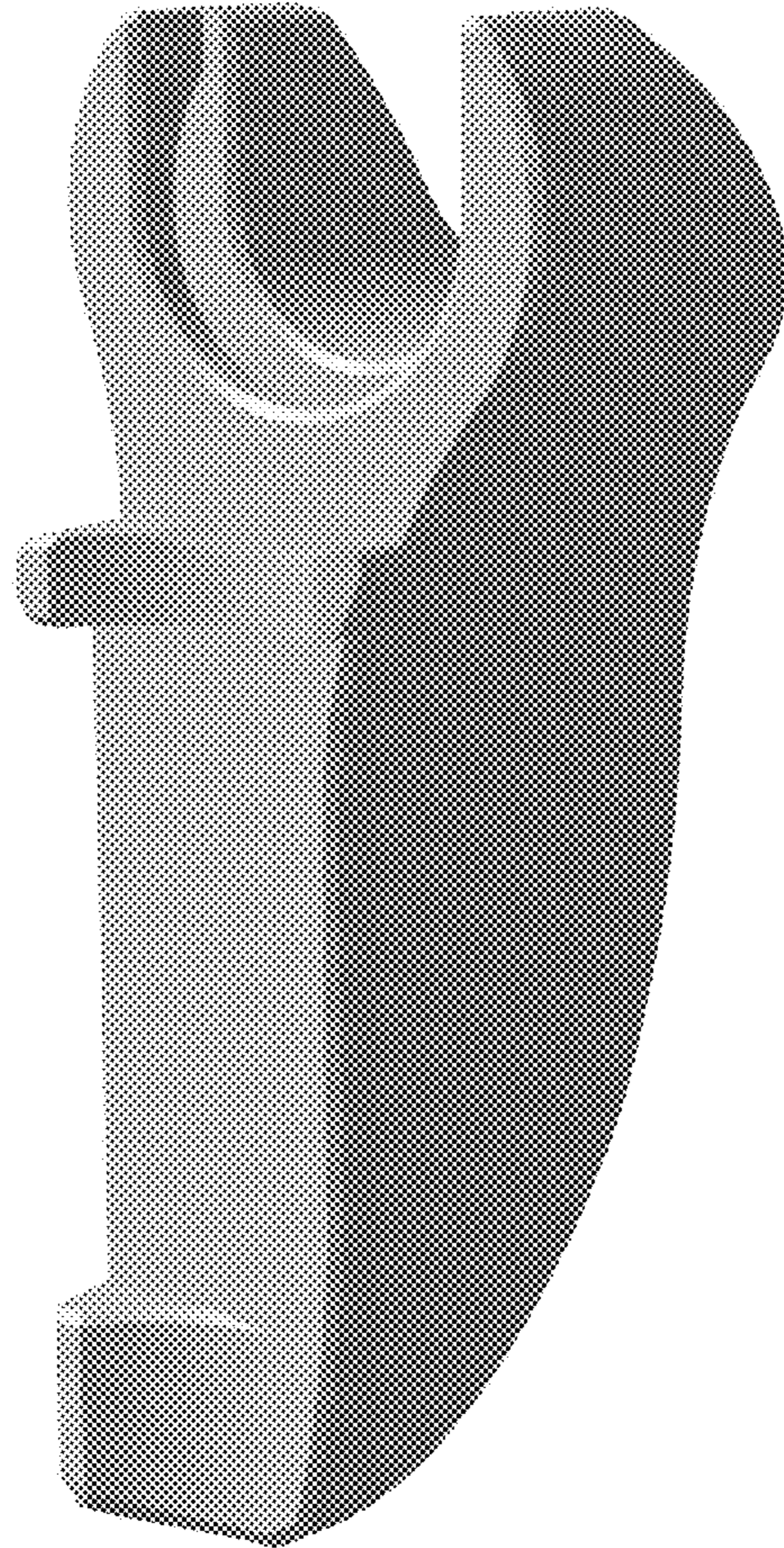


FIG. 7