



US00D857194S

(12) **United States Design Patent** (10) **Patent No.:** **US D857,194 S**
Harding et al. (45) **Date of Patent:** **** Aug. 20, 2019**

(54) **NEEDLE TIP SHIELD**
(71) Applicant: **Becton, Dickinson and Company**,
Franklin Lakes, NJ (US)
(72) Inventors: **Weston Harding**, Lehi, UT (US);
Stephen Bornhoft, Sandy, UT (US);
John Stokes, Pleasant View, UT (US);
Shaun Staley, Murray, UT (US);
Siddarth Shevgoor, Laguna Beach, CA
(US); **Curt Bingham**, Hyde Park, UT
(US)
(73) Assignee: **Becton, Dickinson and Company**,
Franklin Lakes, NJ (US)

(**) Term: **15 Years**

(21) Appl. No.: **29/591,951**

(22) Filed: **Jan. 25, 2017**

(51) **LOC (12) Cl.** **24-02**

(52) **U.S. Cl.**
USPC **D24/130**

(58) **Field of Classification Search**
USPC D24/112, 113, 114, 137, 130, 133, 145,
D24/146, 147, 186; 606/181, 185;
604/187, 158, 164.01–164.11, 181, 184,
604/227
CPC A61M 2005/325; A61M 5/3275; A61M
25/0618; A61M 25/0606; A61M 25/0637;
A61M 5/3273; A61M 5/158; A61M
5/1626; A61M 25/0015; A61M 25/0612;
A61M 39/00
See application file for complete search history.

(56) **References Cited**

U.S. PATENT DOCUMENTS

5,215,528 A 6/1993 Purdy et al.
5,558,651 A 9/1996 Crawford et al.

6,004,294 A 12/1999 Brimhall et al.
6,443,929 B1 * 9/2002 Kuracina A61B 5/15003
604/192
D492,031 S 6/2004 Cindrich et al.
6,749,588 B1 6/2004 Howell et al.
D492,774 S * 7/2004 Cindrich D24/130
D592,302 S 5/2009 Stokes et al.
7,722,569 B2 5/2010 Soderholm et al.
D691,265 S * 10/2013 O’Leary D24/146
9,056,188 B2 6/2015 Hager et al.
D745,675 S * 12/2015 Jankowski D24/146
9,636,484 B2 * 5/2017 Baid A61M 25/0631
D806,862 S * 1/2018 Semmann D24/112
D819,802 S * 6/2018 Burkholz D24/112
D821,574 S * 6/2018 Harding D24/130
10,010,343 B2 * 7/2018 Bierman A61M 25/0693

(Continued)

Primary Examiner — Cathron C Brooks
Assistant Examiner — Samantha Q Lawrence
(74) *Attorney, Agent, or Firm* — Dickinson Wright PLLC

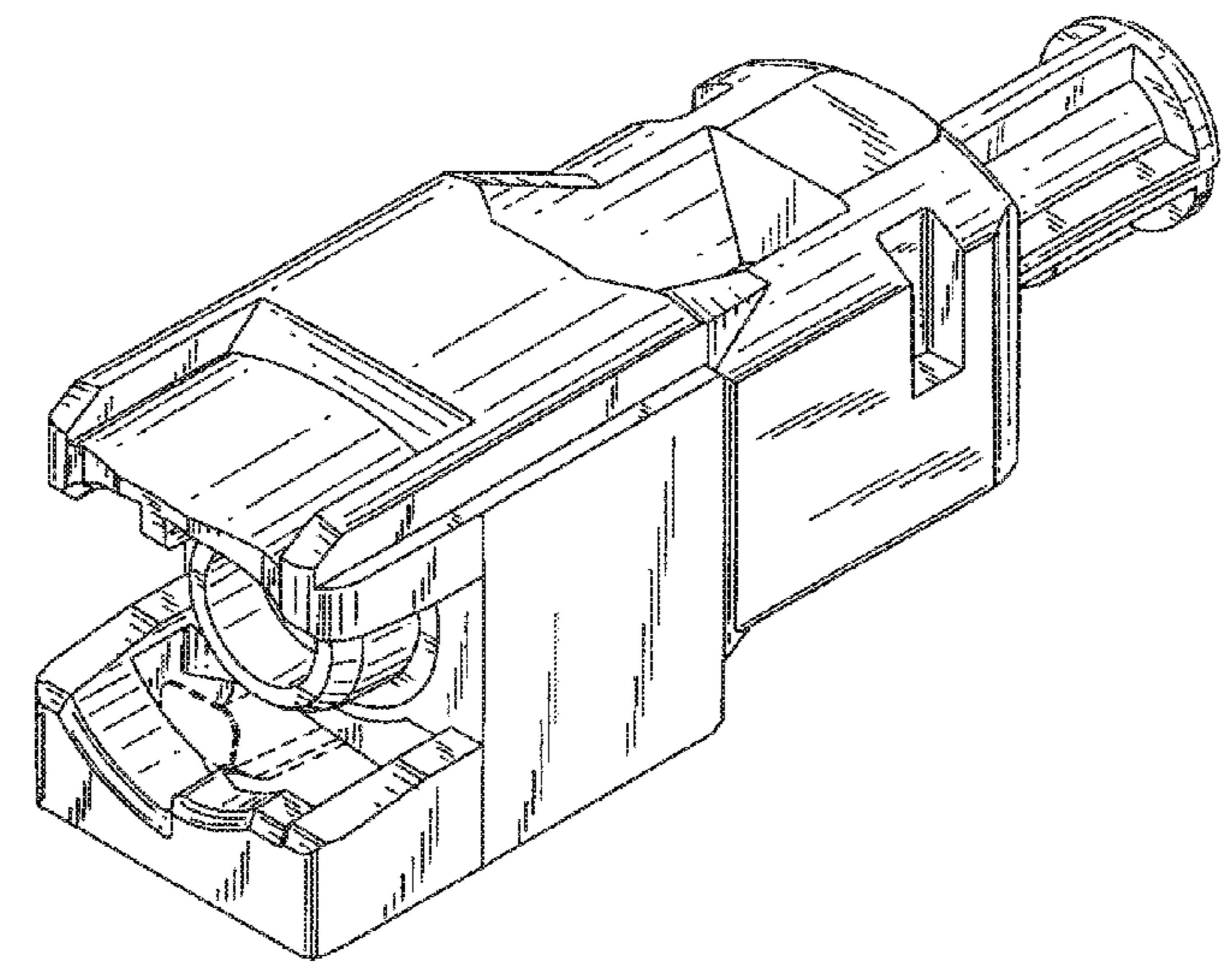
(57) **CLAIM**

The ornamental design for a needle tip shield, as shown and described.

DESCRIPTION

FIG. 1 is a top front perspective view of a needle tip shield; FIG. 2 is a bottom perspective view thereof; FIG. 3 is a top rear perspective view thereof; FIG. 4 is a top view thereof; FIG. 5 is a side view thereof; FIG. 6 is an opposite side view thereof; FIG. 7 is a bottom view thereof; FIG. 8 is an enlarged view of a portion of FIG. 7, taken from FIG. 7; FIG. 9 is a front view thereof; and, FIG. 10 is a rear view thereof.
The broken lines shown in FIGS. 1-3 and FIGS. 6-8 illustrate portions of the needle tip shield that form no part of the claimed design.

1 Claim, 6 Drawing Sheets



(56)

References Cited

U.S. PATENT DOCUMENTS

2011/0060286 A1 3/2011 Tanabe et al.
2014/0303561 A1 10/2014 Li
2014/0364809 A1 12/2014 Isaacson et al.
2015/0082746 A1* 3/2015 Ivosevic B65B 69/0041
53/381.1
2015/0238733 A1 8/2015 bin Abdulla
2017/0325714 A1* 11/2017 Sonderegger A61B 5/0035
2018/0161520 A1* 6/2018 Smith A61M 5/158
2018/0161523 A1* 6/2018 Sanders A61M 5/3243

* cited by examiner

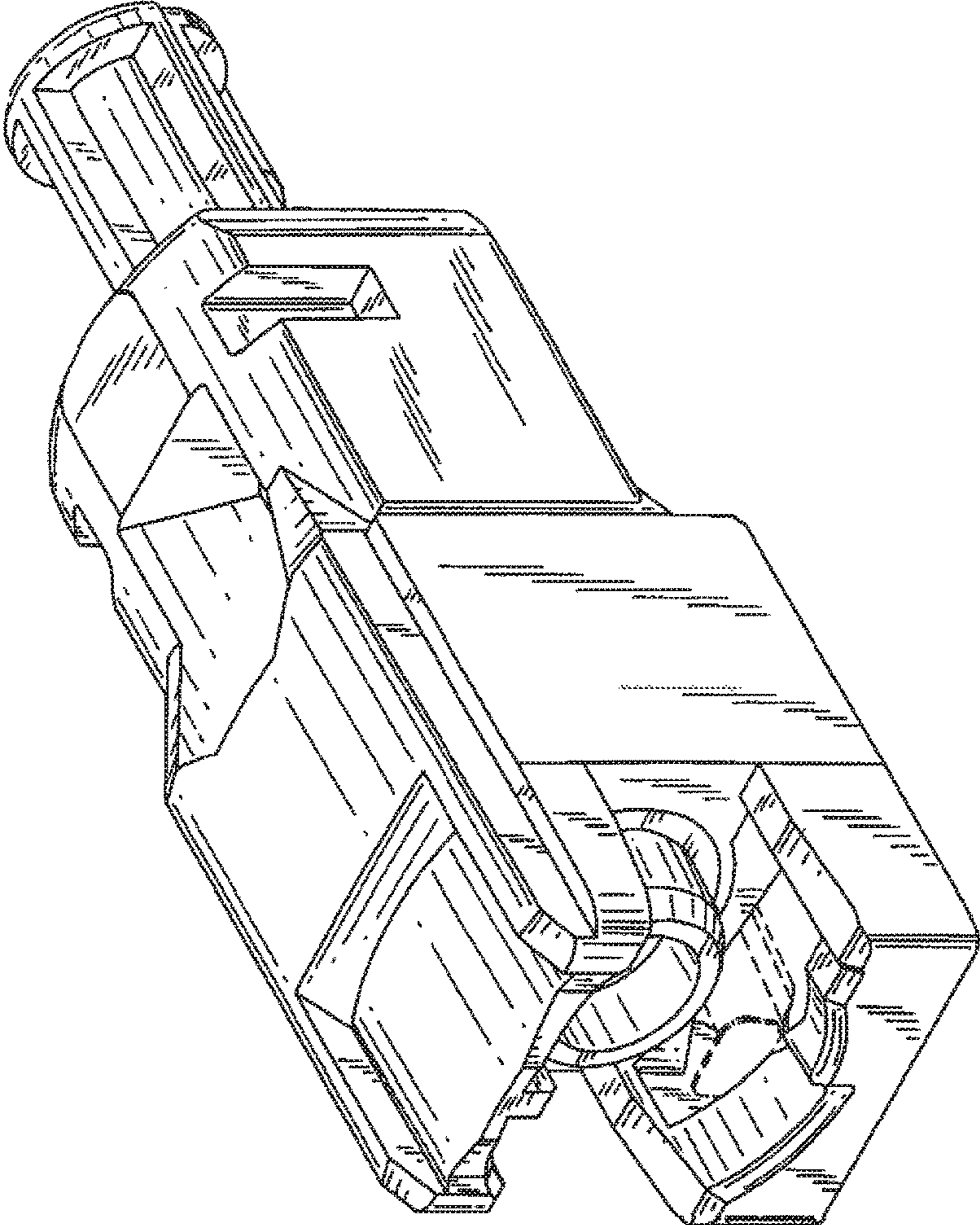


FIG.1

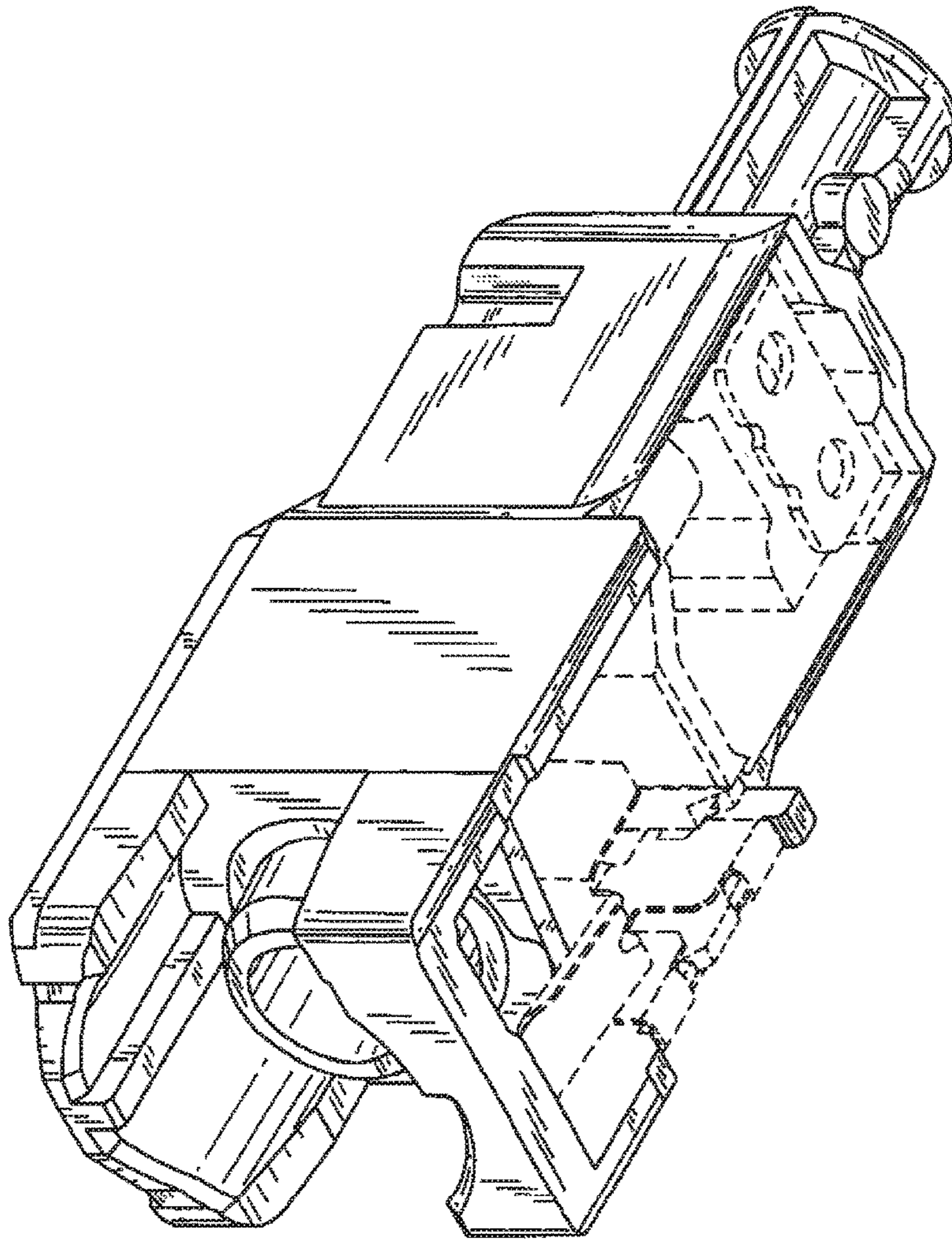


FIG.2

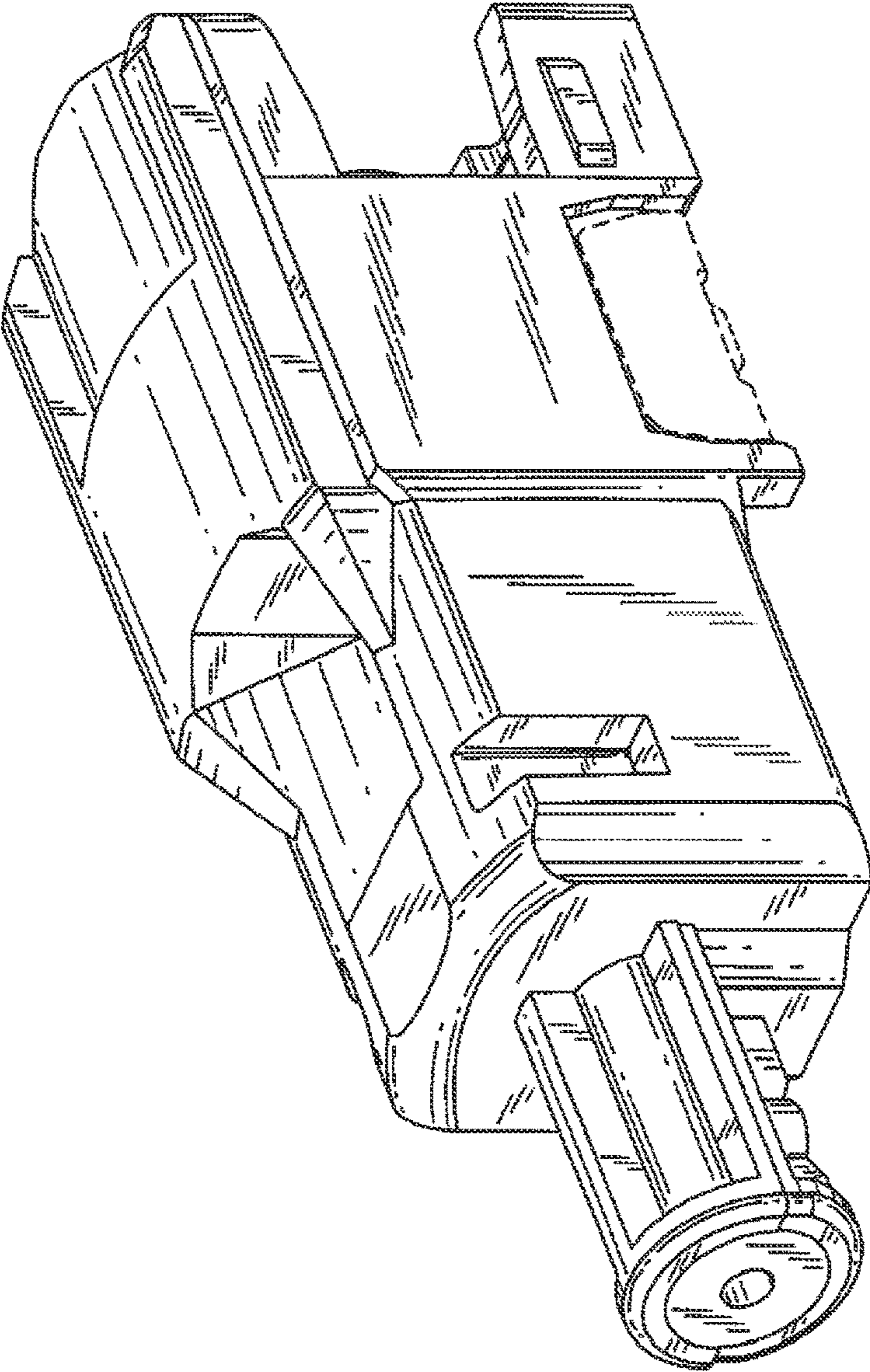


FIG. 3

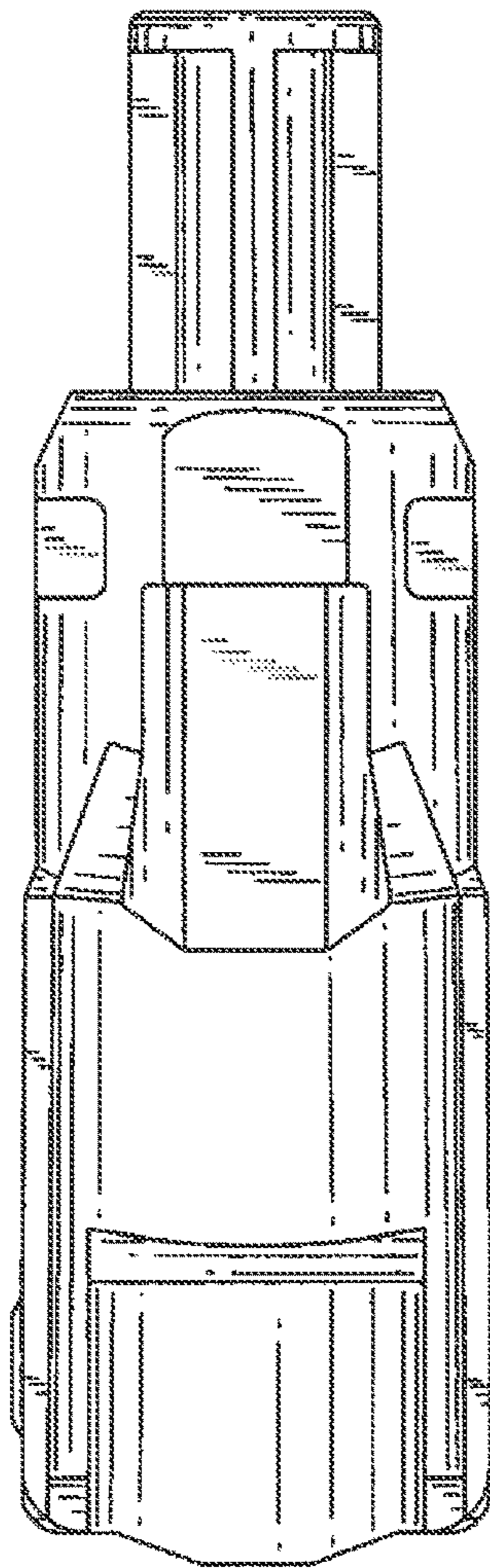


FIG.4

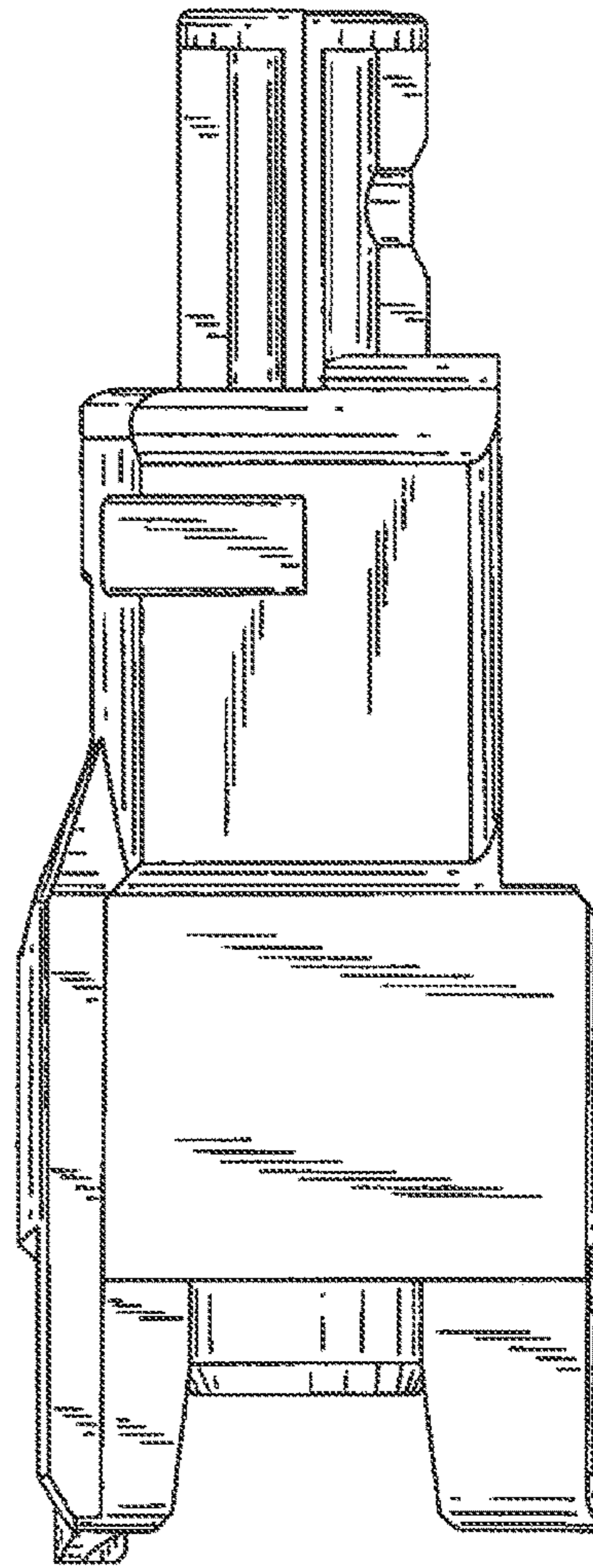


FIG.5

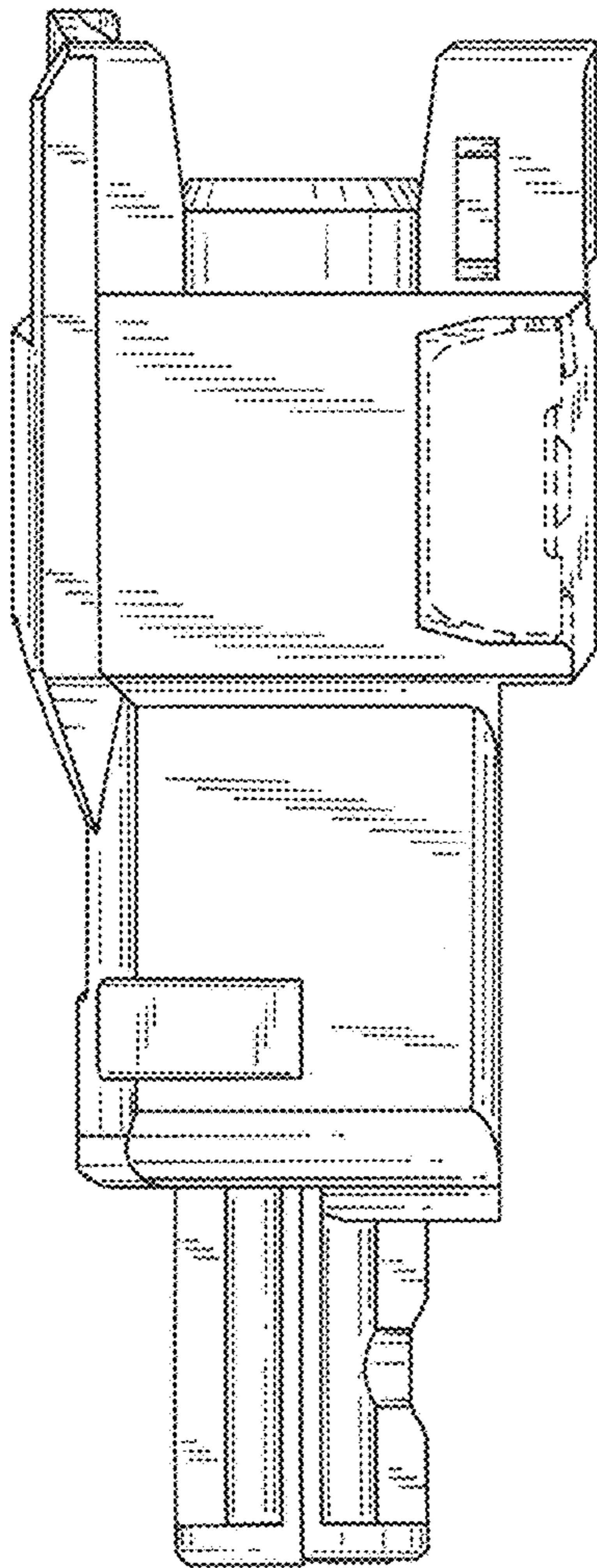


FIG. 6

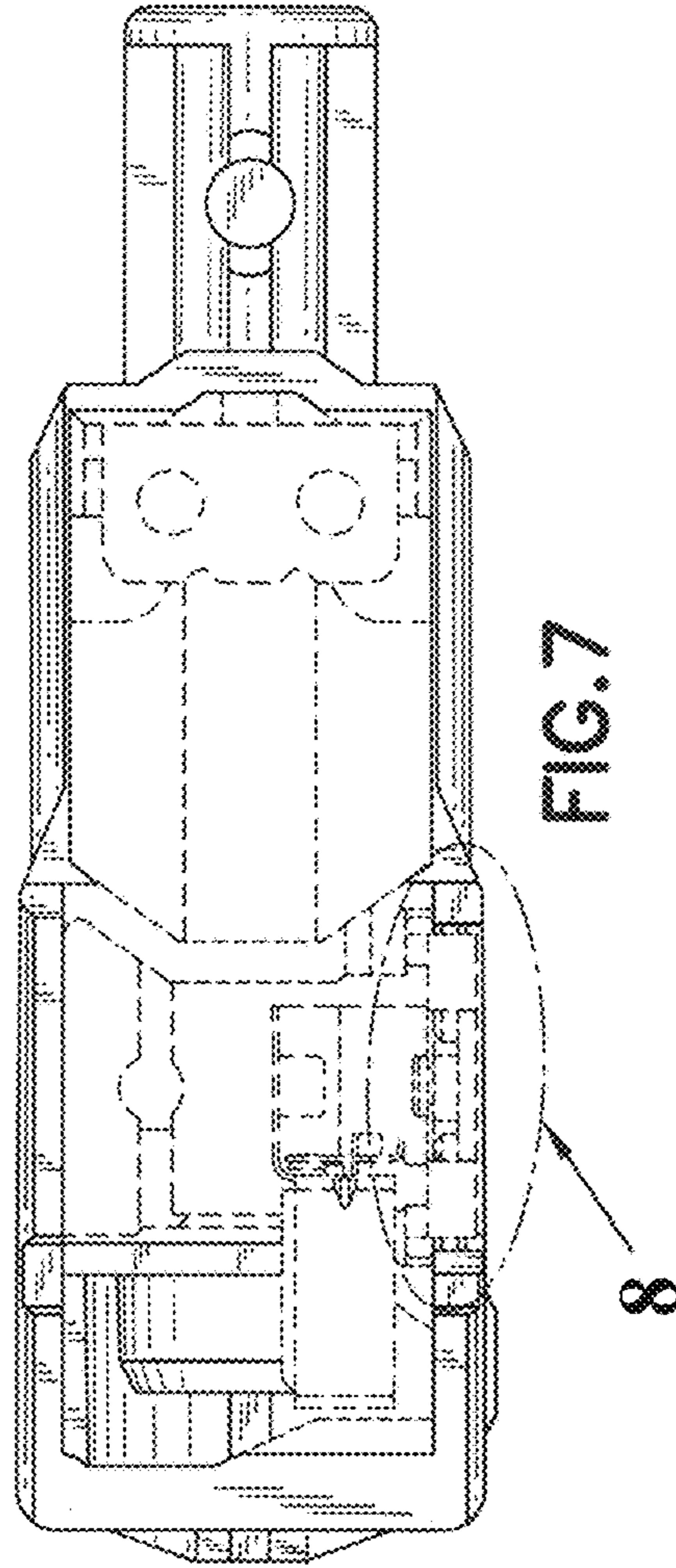


FIG. 7

8

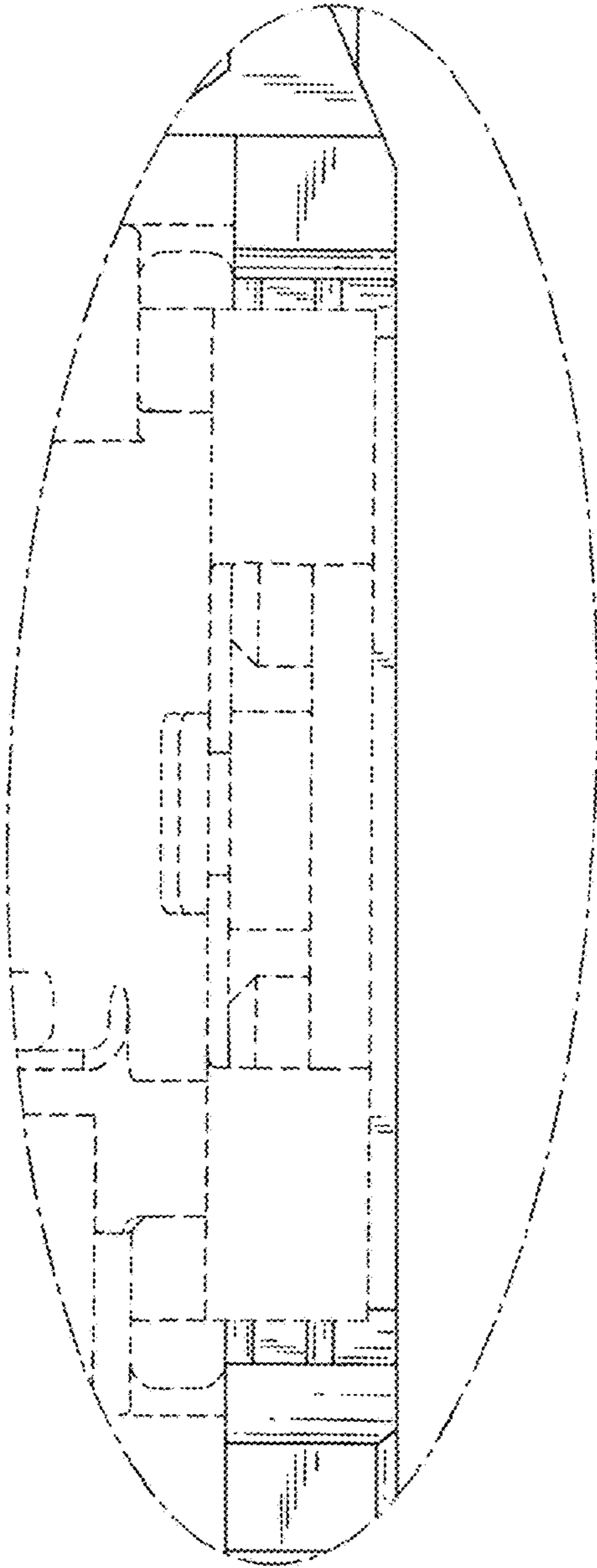


FIG. 8

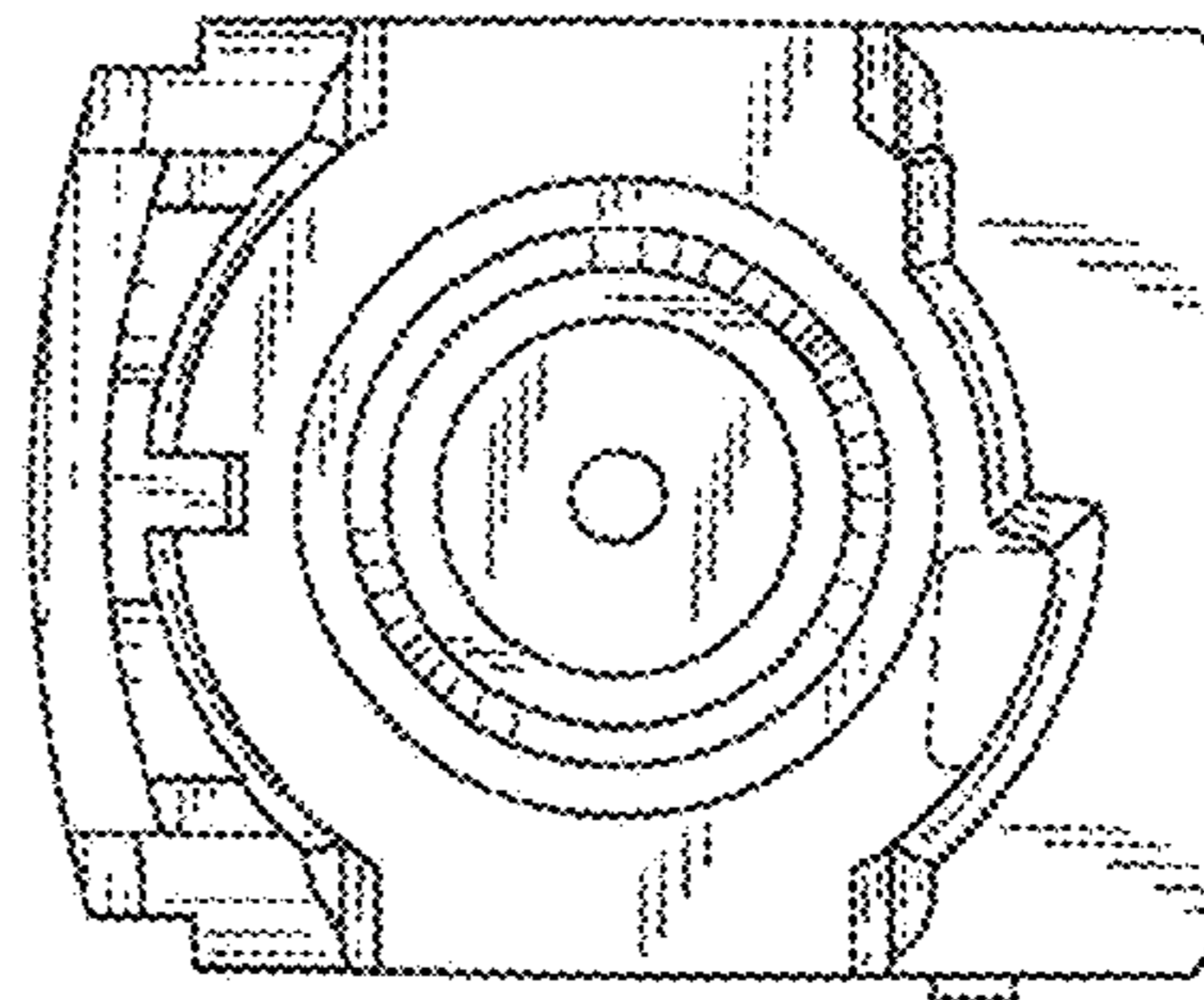


FIG. 9

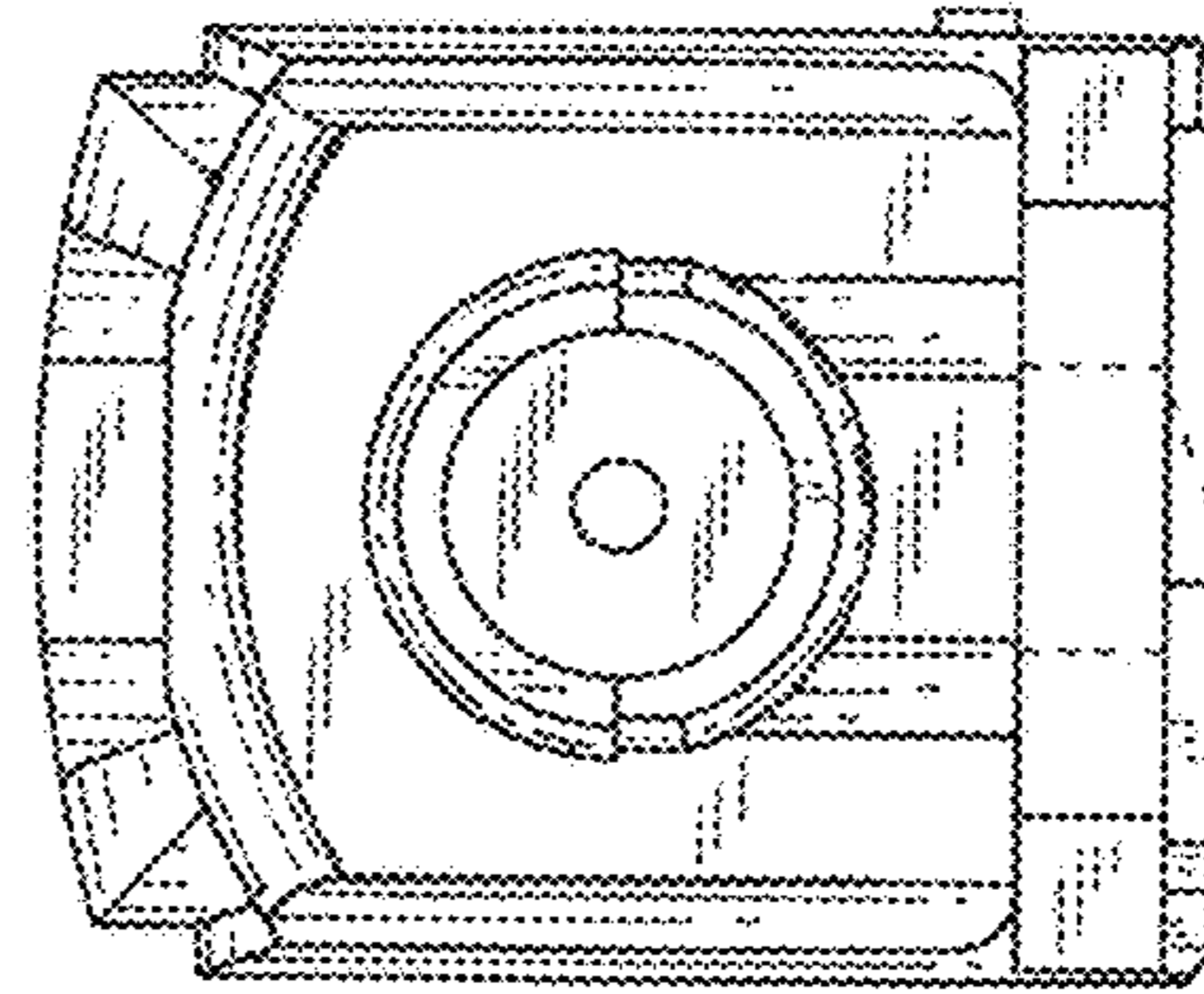


FIG. 10