



US00D857191S

(12) **United States Design Patent** (10) **Patent No.:** **US D857,191 S**  
**Hwang et al.** (45) **Date of Patent:** **\*\* Aug. 20, 2019**

(54) **WEARABLE DRUG DELIVERY DEVICE**

A61M 5/14248; A61M 2005/14513;  
A61M 2005/206

See application file for complete search history.

(71) Applicant: **Becton, Dickinson and Company,**  
Franklin Lakes, NJ (US)

(56)

**References Cited**

U.S. PATENT DOCUMENTS

(72) Inventors: **Charles George Hwang**, Wellesley,  
MA (US); **John Prudden**, Manchester,  
MA (US); **Christopher Kovalchick**,  
Bedford, MA (US); **Russell Cole**, River  
Vale, NJ (US); **Andrew Allegretti**,  
Edgewater, NJ (US); **Jeffrey Reed**,  
Minden, NE (US); **Nir Swenson**,  
Somerville, MA (US); **Gail Siewiorek**,  
Winchester, MA (US); **Joseph**  
**Iskandar**, Brighton, MA (US);  
**Alessandro Pizzochero**, Chelmsford,  
MA (US); **J. Richard Gyory**, Sudbury,  
MA (US); **Justin Cumming**, Arlington,  
MA (US); **Kurt Maw**, Salem, MA (US)

D370,011	S	*	5/1996	Lindeman	.....	D14/137
5,665,065	A		9/1997	Colman et al.		
D389,139	S	*	1/1998	Oross	.....	D14/137
5,816,779	A		10/1998	Lawless et al.		
5,913,180	A		6/1999	Ryan		
6,006,239	A		12/1999	Bhansali et al.		
D445,496	S	*	7/2001	Anderson	.....	D24/110
6,589,229	B1		7/2003	Connelly et al.		
6,656,147	B1		12/2003	Gertsek et al.		
6,656,148	B2		12/2003	Das et al.		
6,685,675	B1		2/2004	Hadvary et al.		
6,740,059	B2		5/2004	Flaherty		
D495,303	S	*	8/2004	Coullahan	.....	D13/168
6,824,529	B2		11/2004	Gross et al.		
6,843,782	B2		1/2005	Gross et al.		
7,052,251	B2		5/2006	Nason et al.		
D544,092	S	*	6/2007	Lewis	.....	D24/108
D564,087	S		3/2008	Yodfat et al.		
D574,016	S		7/2008	Yodfat et al.		
D577,118	S		9/2008	Yodfat et al.		
7,517,440	B2		4/2009	Anex et al.		
7,648,494	B2		1/2010	Kornerup et al.		
7,678,079	B2		3/2010	Shermer et al.		
7,708,717	B2		5/2010	Estes et al.		
D622,685	S	*	8/2010	Garra	.....	D14/137
7,771,391	B2		8/2010	Carter		
7,802,923	B2		9/2010	Arnold et al.		
7,857,131	B2		12/2010	Vedrine		
7,922,708	B2		4/2011	Estes et al.		
7,927,306	B2		4/2011	Cross et al.		
7,931,621	B2		4/2011	Cross et al.		
7,938,801	B2		5/2011	Hawkins et al.		
7,976,493	B2	*	7/2011	Carter	.....	A61M 5/14244 604/67
7,976,500	B2		7/2011	Adams et al.		
8,062,253	B2		11/2011	Nielsen et al.		
8,062,256	B2		11/2011	Carter et al.		
8,114,064	B2		2/2012	Alferness et al.		
8,128,596	B2		3/2012	Carter		
8,128,597	B2		3/2012	Cross et al.		
8,162,923	B2		4/2012	Adams et al.		
8,210,172	B2	*	7/2012	Crowder	.....	A61M 15/0045 128/200.24
8,226,606	B2		7/2012	Adams et al.		
8,226,607	B2		7/2012	Carter et al.		

(73) Assignee: **Becton, Dickinson and Company,**  
Franklin Lakes, NJ (US)

(\*\*) Term: **15 Years**

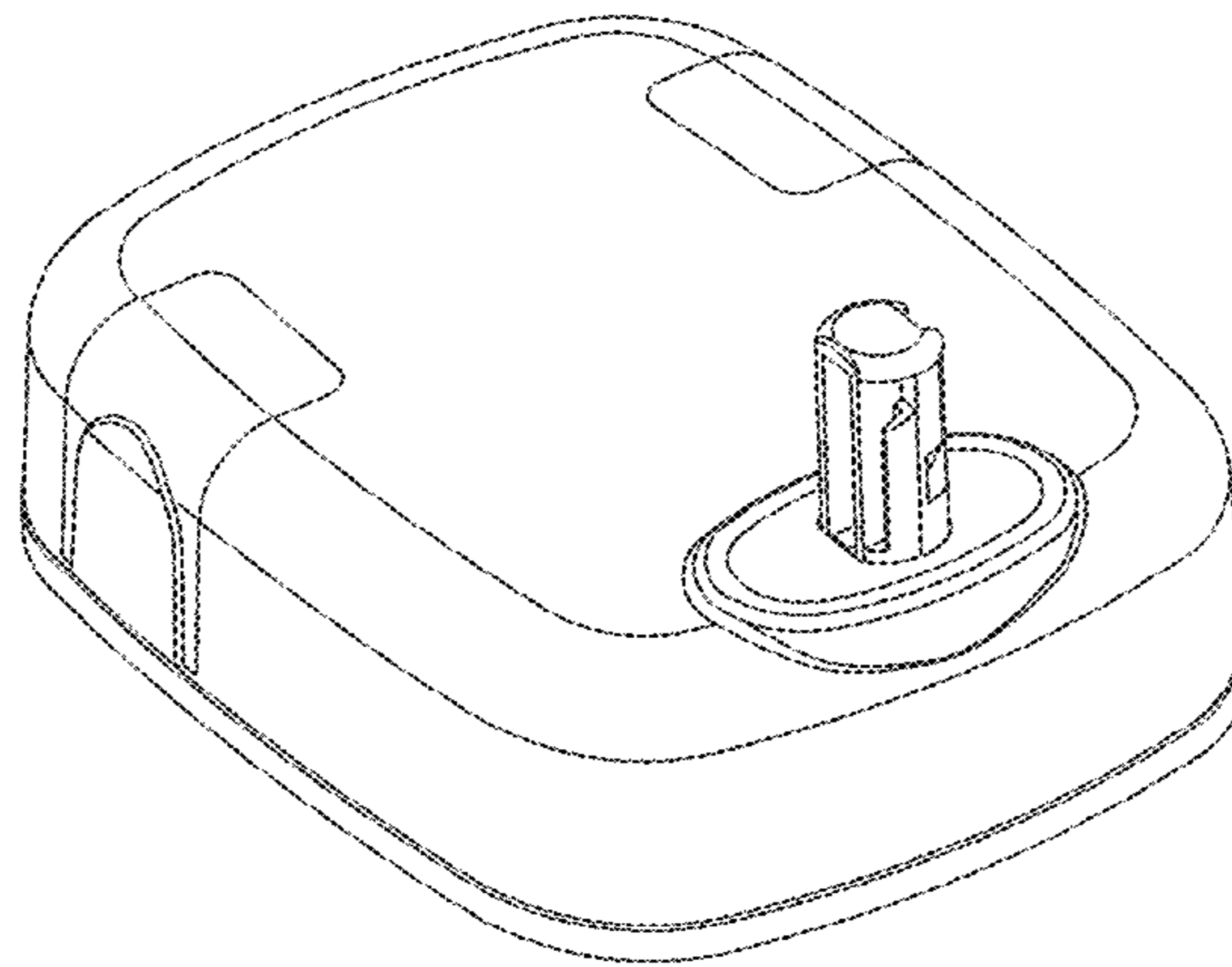
(21) Appl. No.: **29/552,312**

(22) Filed: **Jan. 21, 2016**

(51) **LOC (12) Cl.** ..... **24-02**

(52) **U.S. Cl.**  
USPC ..... **D24/112**

(58) **Field of Classification Search**  
USPC ..... D24/112-114, 133, 186, 104, 130, 127,  
D24/176, 108, 110, 220; 606/181, 185;  
604/232, 187, 158, 164.08, 192, 263, 163,  
604/181, 184, 198, 227, 168.01, 275,  
604/890.1; D9/414, 424, 417, 426  
CPC ..... A61M 2005/14252; A61M 2005/1581;



8,231,572 B2 7/2012 Carter et al.  
 8,231,577 B2 7/2012 Carter et al.  
 8,267,921 B2 9/2012 Yodfat et al.  
 8,337,486 B2 12/2012 Yodfat et al.  
 8,352,041 B2 1/2013 Das et al.  
 8,361,030 B2 1/2013 Carter  
 8,409,151 B2 4/2013 Hawkins et al.  
 8,414,563 B2 4/2013 Kamen et al.  
 8,449,504 B2 5/2013 Carter et al.  
 D684,685 S 6/2013 Schneider et al.  
 D684,686 S 6/2013 Cronenberg  
 D685,083 S 6/2013 Schneider et al.  
 D685,084 S 6/2013 Guarraia et al.  
 8,469,920 B2 6/2013 Merno et al.  
 D687,140 S 7/2013 Guarraia et al.  
 D687,141 S 7/2013 Schneider et al.  
 8,491,529 B2 7/2013 Yodfat et al.  
 D687,536 S 8/2013 Guarraia et al.  
 D688,784 S 8/2013 Schneider et al.  
 8,500,692 B2 8/2013 Yodfat et al.  
 8,512,287 B2 8/2013 Cindrich et al.  
 8,613,719 B2 12/2013 Karratt et al.  
 8,753,310 B2 6/2014 Sullivan et al.  
 8,753,315 B2 6/2014 Alferness et al.  
 8,758,308 B2 6/2014 Alferness et al.  
 8,795,230 B2 8/2014 Schoonmaker et al.  
 8,795,234 B2 8/2014 Kadamus et al.  
 8,808,269 B2 8/2014 Bazargan et al.  
 D714,266 S \* 9/2014 Okamura ..... D14/191  
 D747,456 S 1/2016 Sonderegger et al.  
 D747,457 S 1/2016 Glace et al.  
 D747,458 S 1/2016 Sonderegger et al.  
 D747,459 S 1/2016 Sonderegger et al.  
 9,254,373 B2 2/2016 Hørdum  
 D754,842 S 4/2016 Sonderegger et al.  
 D754,843 S 4/2016 Sonderegger et al.  
 D756,504 S 5/2016 Sonderegger et al.  
 9,364,606 B2 6/2016 Cindrich et al.  
 9,433,757 B2 9/2016 Constantineau et al.  
 D769,438 S \* 10/2016 Crosby ..... D24/110  
 9,480,792 B2 11/2016 Constantineau et al.  
 9,522,229 B2 12/2016 Sonderegger et al.  
 9,522,231 B2 12/2016 Schneider et al.  
 2005/0238507 A1 10/2005 Dilanni et al.  
 2006/0183984 A1 8/2006 Dobbles et al.  
 2007/0282269 A1 12/2007 Carter et al.  
 2007/0287960 A1 12/2007 Adams et al.  
 2007/0299408 A1 12/2007 Alferness et al.  
 2008/0119790 A1 5/2008 Hawkins et al.  
 2008/0167641 A1 7/2008 Hansen et al.  
 2008/0249473 A1 10/2008 Rutti et al.  
 2009/0088692 A1 4/2009 Adams et al.  
 2009/0182277 A1 7/2009 Carter  
 2009/0240240 A1 9/2009 Hines et al.  
 2009/0247982 A1 10/2009 Krulevitch et al.  
 2009/0254041 A1 \* 10/2009 Krag ..... A61M 5/14224  
 604/180  
 2009/0281497 A1 11/2009 Kamen et al.  
 2010/0049128 A1 2/2010 McKenzie et al.  
 2010/0167385 A1 7/2010 Celentano et al.  
 2010/0204657 A1 8/2010 Yodfat et al.  
 2010/0234805 A1 9/2010 Kaufmann et al.  
 2011/0098652 A1 4/2011 Hasted et al.  
 2011/0282293 A1 11/2011 Hørdum  
 2011/0306931 A1 12/2011 Kamen et al.  
 2011/0319862 A1 12/2011 Friedman et al.  
 2012/0053522 A1 3/2012 Yodfat et al.  
 2012/0150115 A1 6/2012 Kamen et al.  
 2012/0209241 A1 8/2012 Drew  
 2012/0215175 A1 8/2012 Alferness et al.  
 2013/0072872 A1 3/2013 Yodfat et al.  
 2013/0226092 A1 8/2013 Hawkins et al.  
 2014/0088504 A1 3/2014 King

2014/0148756 A1 5/2014 Yodfat et al.  
 2014/0236086 A1 8/2014 Levesque et al.  
 2014/0236087 A1 8/2014 Alderete, Jr. et al.  
 2015/0065959 A1 3/2015 Carter et al.  
 2015/0250943 A1 \* 9/2015 Momose ..... A61M 5/14276  
 604/151  
 2015/0292779 A1 10/2015 Chen  
 2015/0306307 A1 \* 10/2015 Cole ..... A61M 5/14248  
 604/508

FOREIGN PATENT DOCUMENTS

CN 101801438 B 8/2013  
 CN 103394143 A 11/2013  
 WO WO-2009013736 A1 1/2009  
 WO WO-2009045780 A2 4/2009  
 WO WO-2009117466 A1 9/2009  
 WO WO-2015199981 A1 12/2015

OTHER PUBLICATIONS

PAQ®, a Simple 3-Day Basal/Bolus Insulin Delivery Device, for People with Type 2 Diabetes, CeQur Corporation, Abstract from ATTD 2016, 9<sup>th</sup> International Conference on Advanced Technologies & Treatments for Diabetes, Milan, Italy—Feb. 3-6, 2016, 1 page.  
 Human Factor Testing Provided Valuable Input into the Iterative Optimization of PAQ®, CeQur Corporation, Abstract from ATTD 2016, 9<sup>th</sup> International Conference on Advanced Technologies & Treatments for Diabetes, Milan, Italy—Feb. 3-6, 2016, 1 page.  
 Validation of Adhesive Tape Optimization of PAQ®, a Simple 3-Day Wearable Basal/Bolus Insulin Delivery Device, in Normal Volunteers, CeQur Corporation, Abstract from ATTD 2016, 9<sup>th</sup> International Conference on Advanced Technologies & Treatments for Diabetes, Milan, Italy—Feb. 3-6, 2016, 1 page.  
 PAQ®, a Simple 3-Day Wearable Basal/Bolus Insulin Delivery Device, Designed for Discreet Diabetes Management, CeQur Corporation, Abstract from ATTD 2016, 9<sup>th</sup> International Conference on Advanced Technologies & Treatments for Diabetes, Milan, Italy—Feb. 3-6, 2016, 1 page.

\* cited by examiner

Primary Examiner — David G Muller  
 Assistant Examiner — Nathan M Johnston  
 (74) Attorney, Agent, or Firm — Dickinson Wright PLLC

(57) CLAIM

The ornamental design for a wearable drug delivery device, as shown and described.

DESCRIPTION

FIG. 1 is a top perspective view of a wearable drug delivery device showing our new design;  
 FIG. 2 is a bottom perspective view thereof;  
 FIG. 3 is a top plan view thereof;  
 FIG. 4 is a left side elevation view thereof;  
 FIG. 5 is a right side elevation view thereof;  
 FIG. 6 is a front elevation view thereof;  
 FIG. 7 is a rear elevation view thereof; and,  
 FIG. 8 is a bottom plan view thereof.

1 Claim, 6 Drawing Sheets

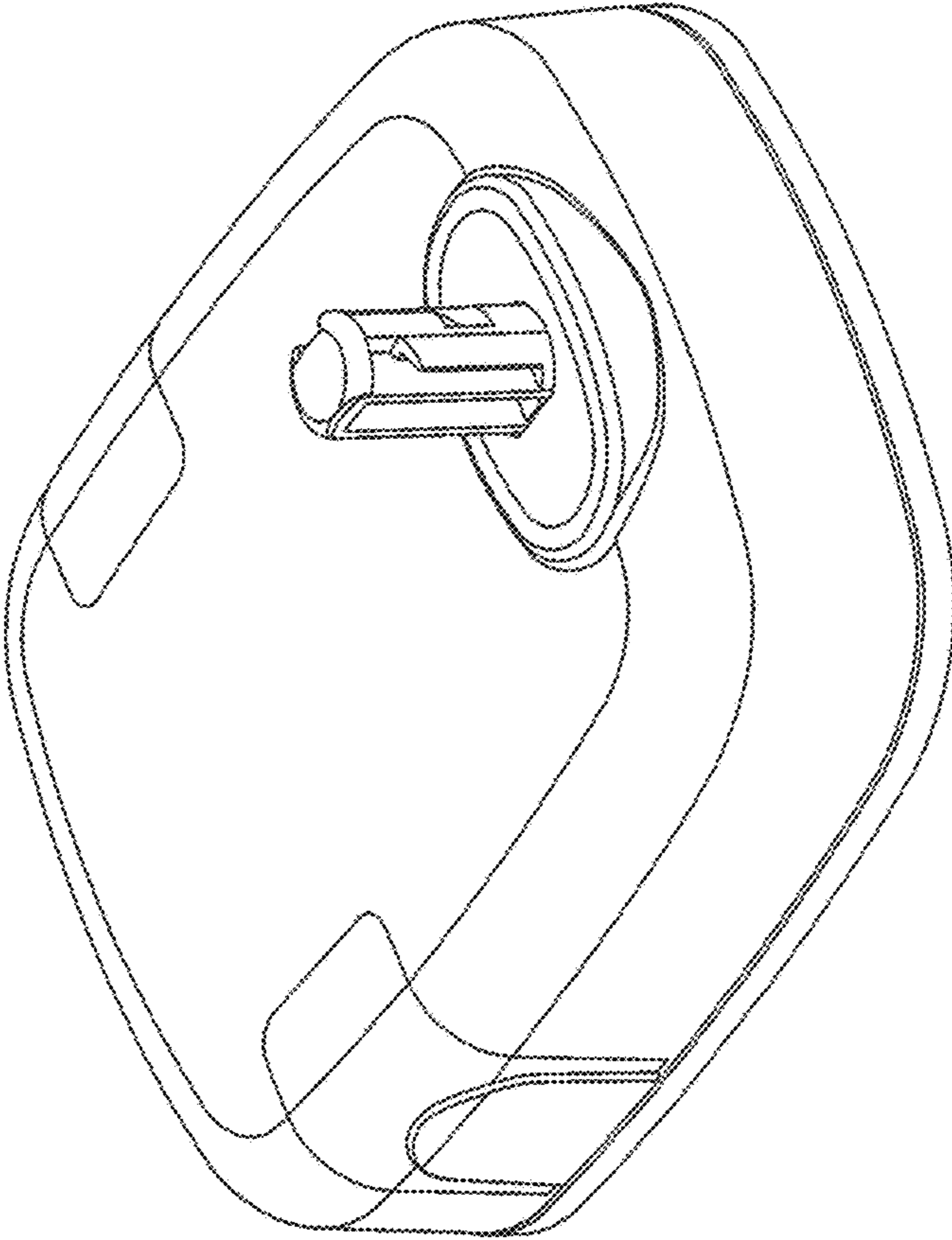


FIG. 1

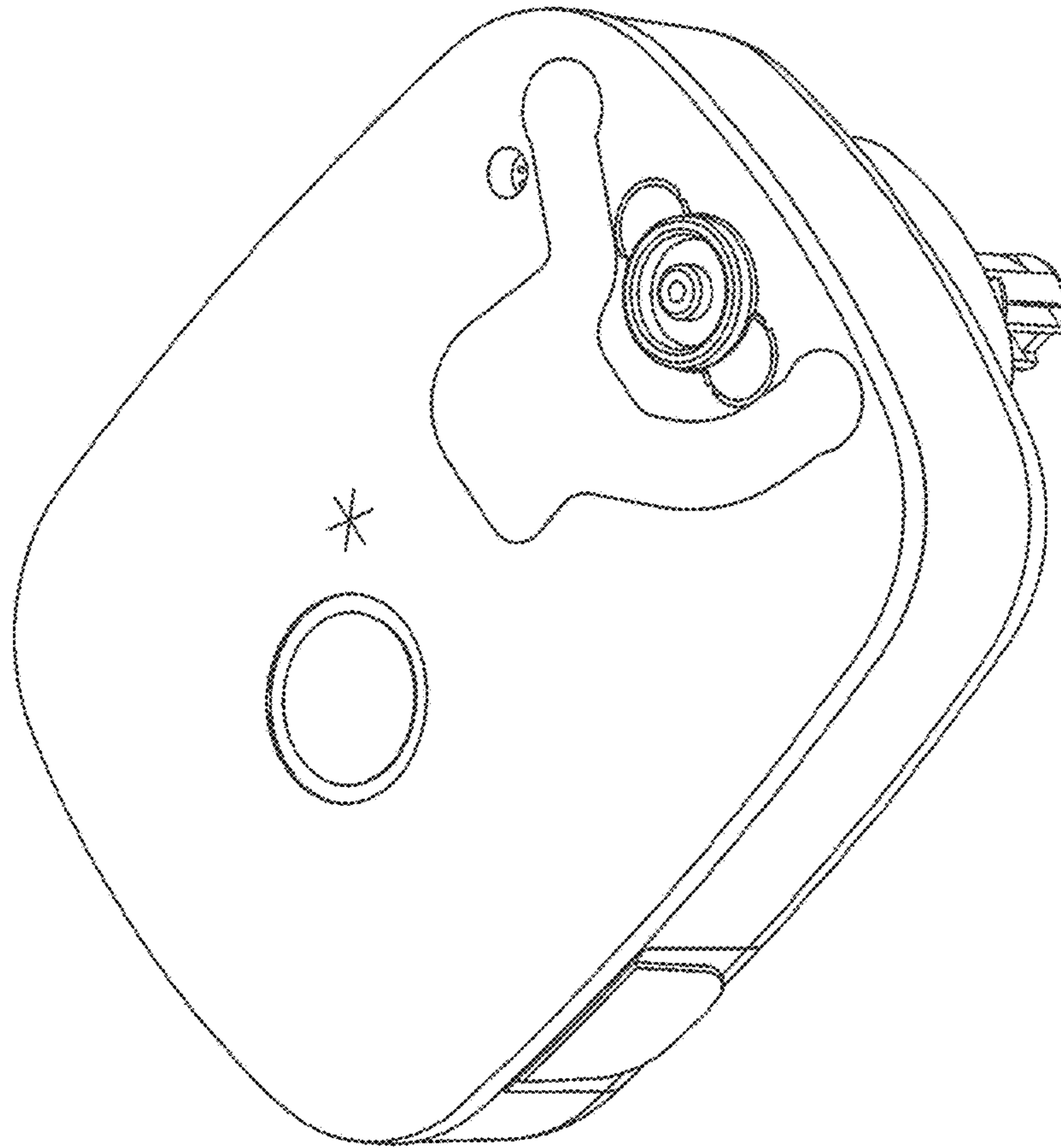


FIG. 2

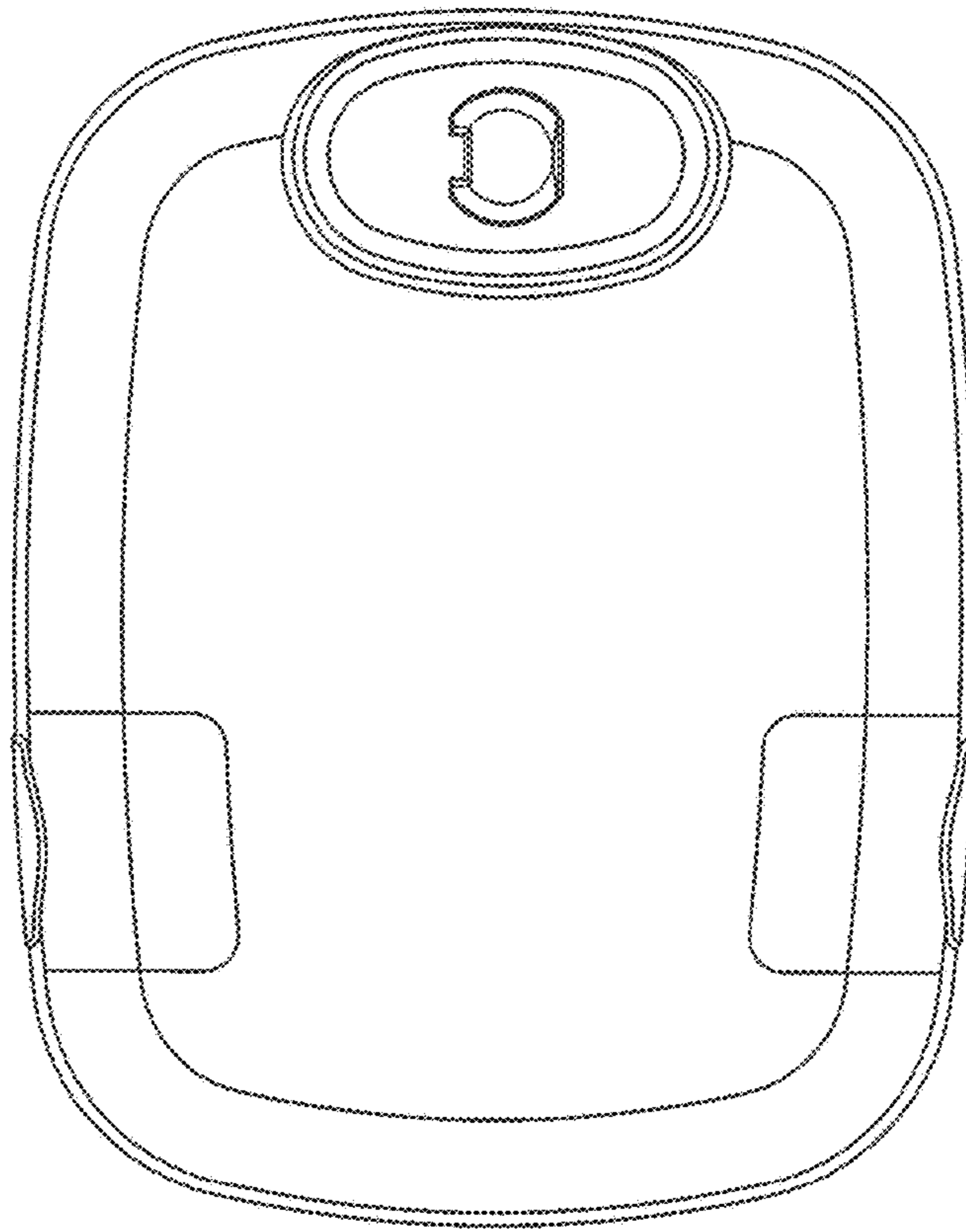


FIG. 3

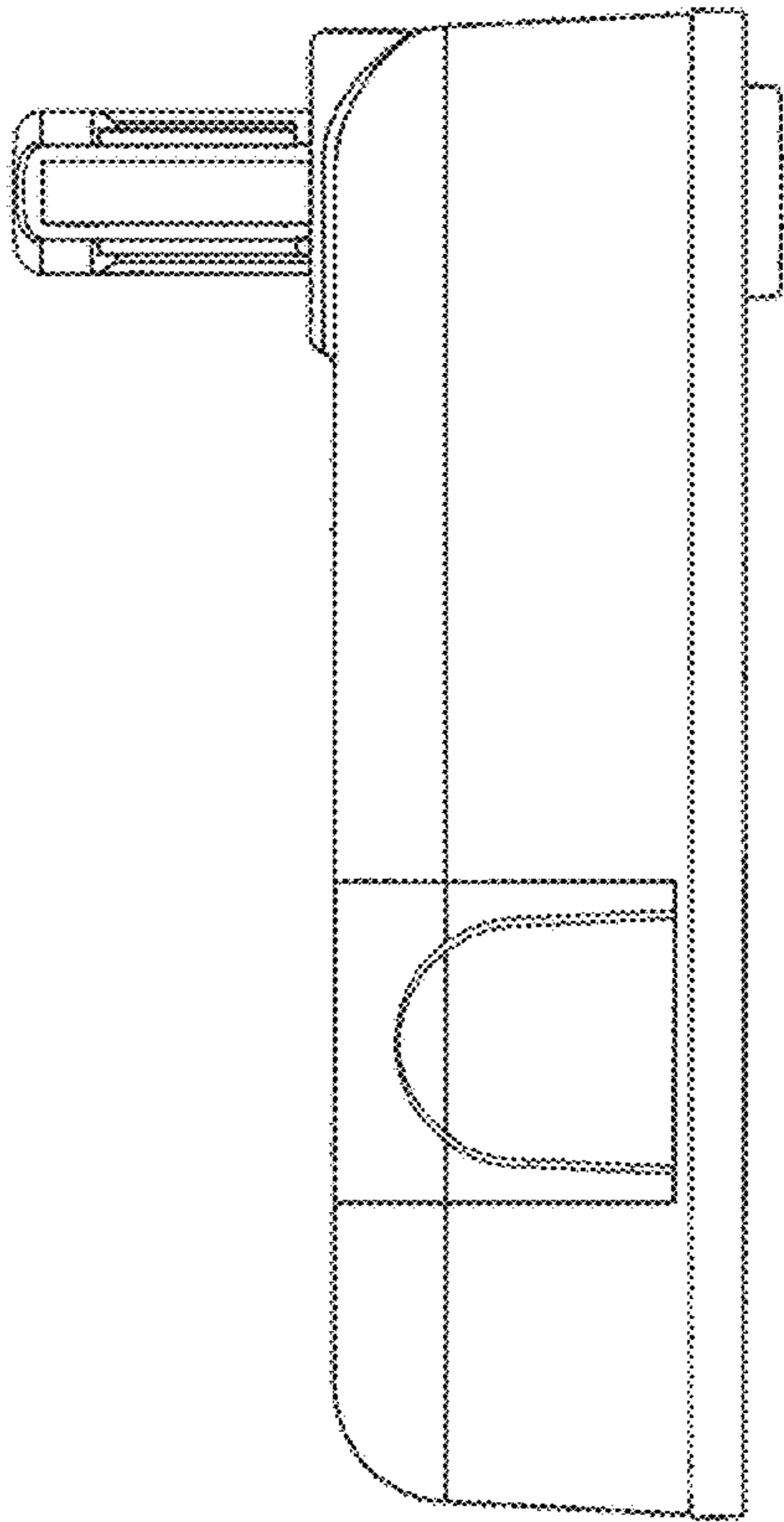


FIG. 4

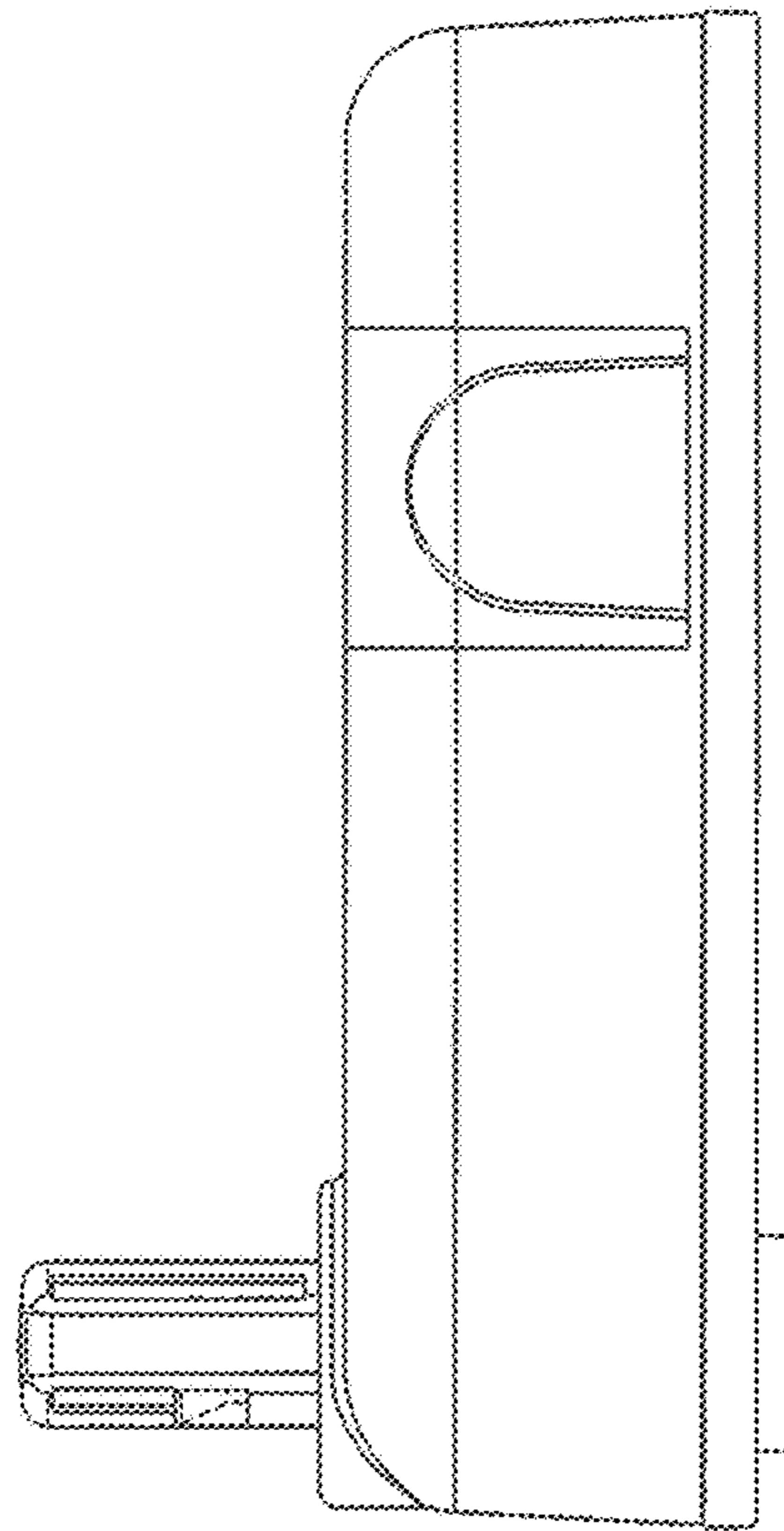


FIG. 5

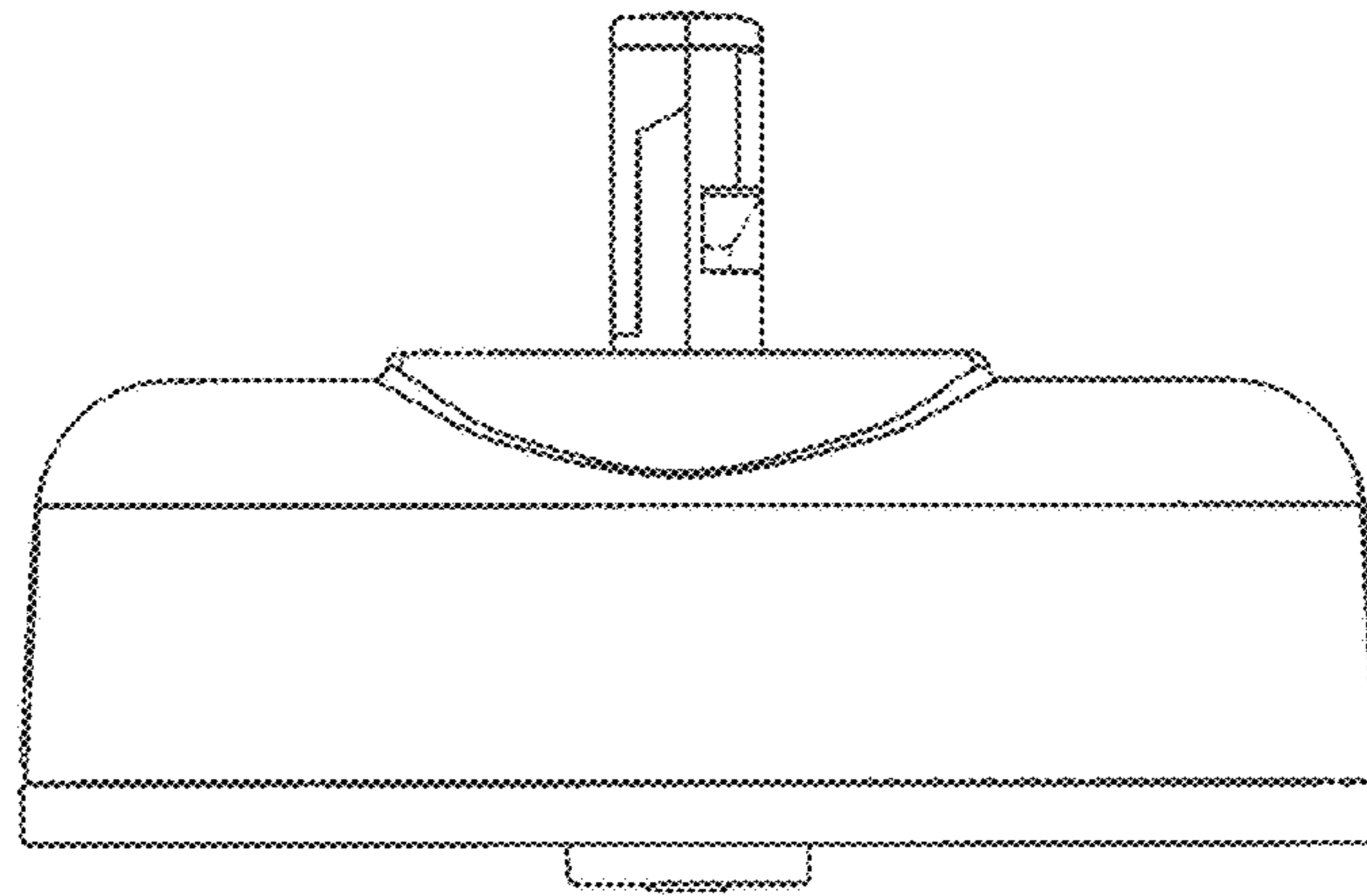


FIG. 6

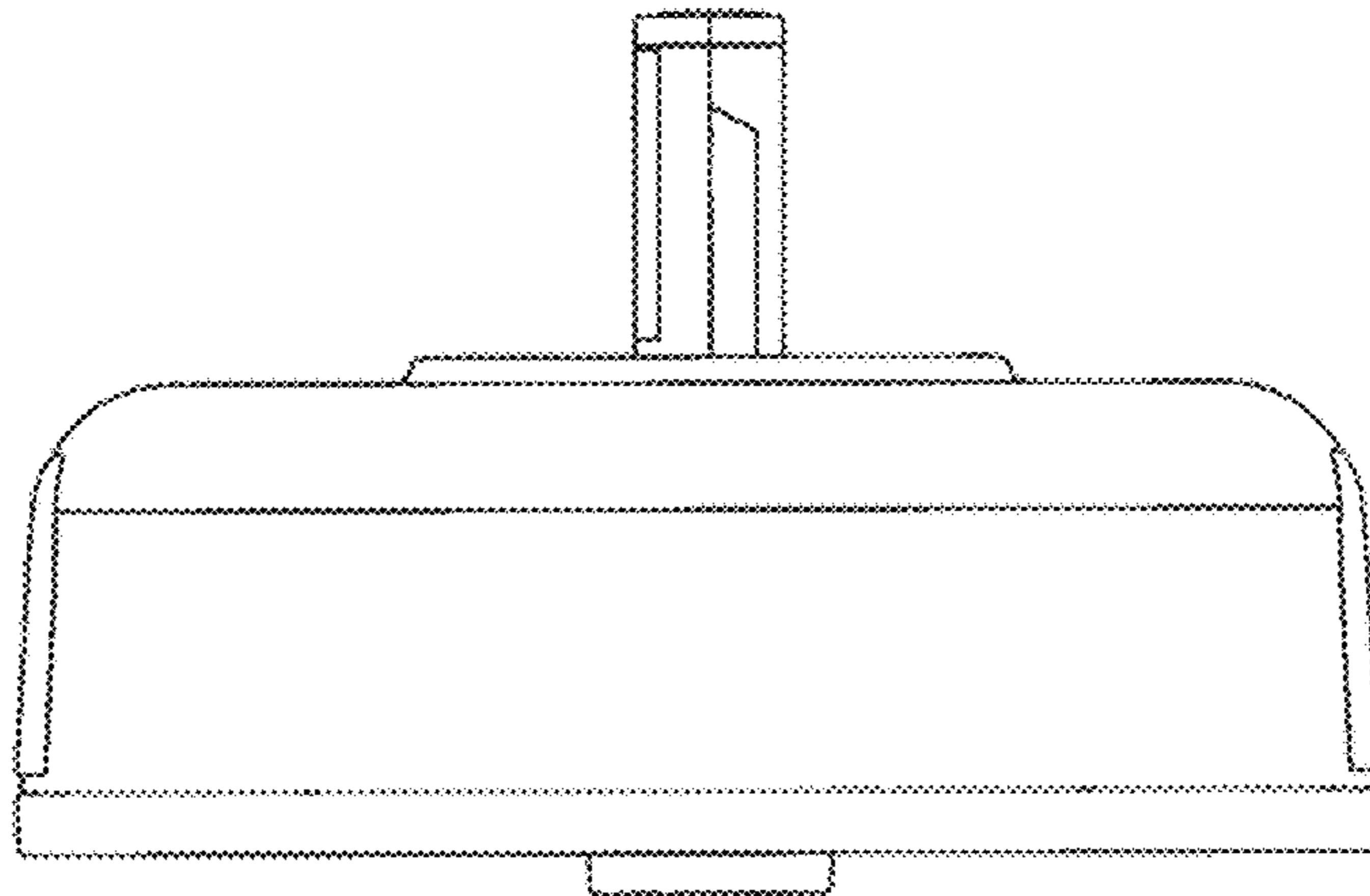


FIG. 7

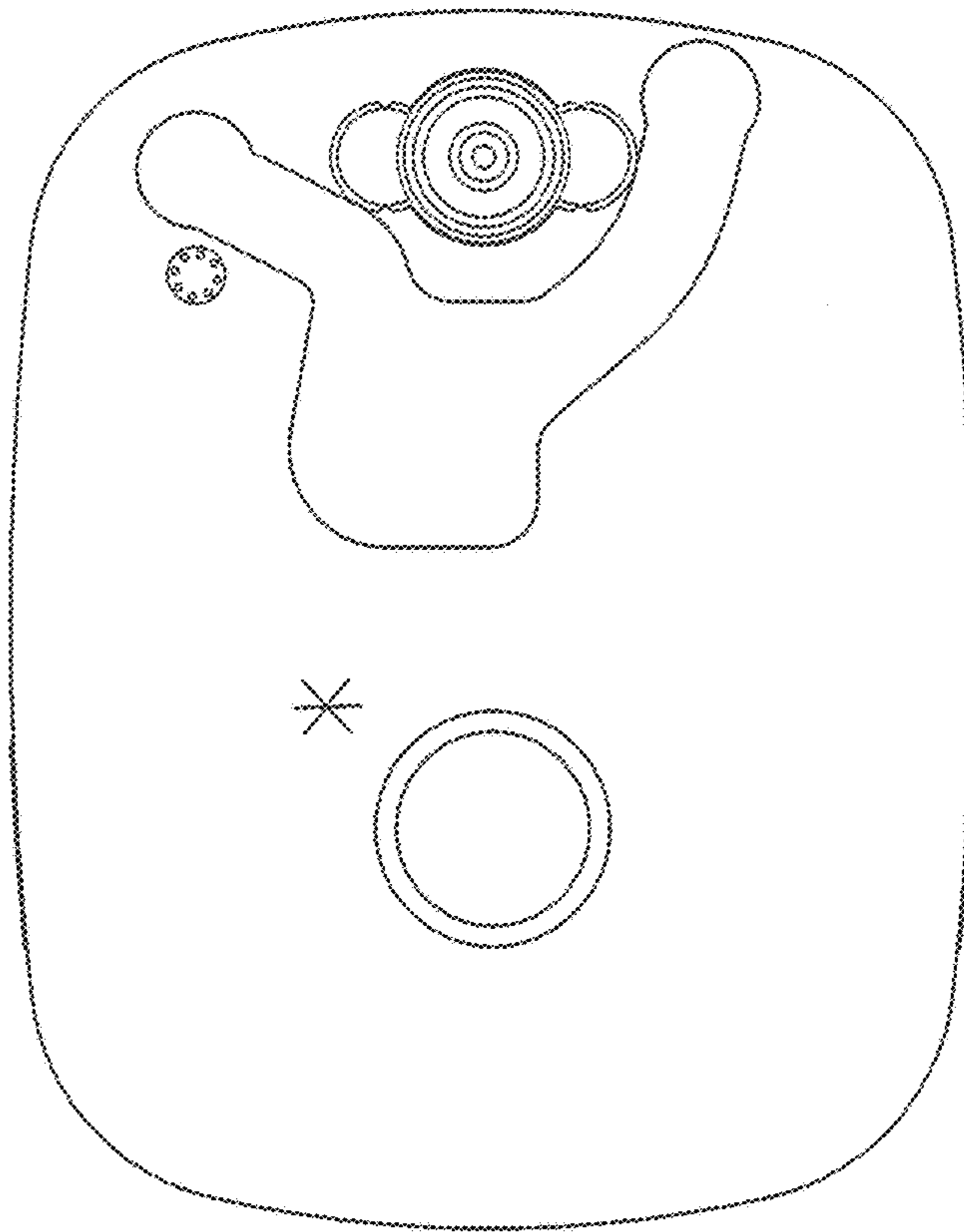


FIG. 8