



US00D857189S

(12) **United States Design Patent**
Formica et al.

(10) **Patent No.:** **US D857,189 S**

(45) **Date of Patent:** **** Aug. 20, 2019**

(54) **BATTERY PACK FOR AN AIR DELIVERY MODULE**

(71) Applicant: **ResMed Pty Ltd**, Bella Vista, New South Wales (AU)

(72) Inventors: **Justin John Formica**, Sydney (AU);
Joseph Samuel Ormrod, Sydney (AU)

(73) Assignee: **ResMed Pty Ltd**, Bella Vista (AU)

(**) Term: **15 Years**

(21) Appl. No.: **29/557,711**

(22) Filed: **Mar. 11, 2016**

(51) **LOC (12) Cl.** **29-02**

(52) **U.S. Cl.**
USPC **D24/110; D24/164; D13/107**

(58) **Field of Classification Search**
USPC **D24/107-108, 110, 111, 162, 164; D13/103, 107**
CPC **A61M 16/0069; A61M 16/06; A61M 16/0683; A61M 16/0057; A61M 16/0066; A61M 16/00; A61M 16/0051; A61B 5/4818**

See application file for complete search history.

(56) **References Cited**

U.S. PATENT DOCUMENTS

D215,303 S *	9/1969	Carpenter	D13/108
D421,298 S	2/2000	Kenyon et al.		
D427,675 S *	7/2000	Hansel	D24/110
D440,200 S *	4/2001	Tsuboi	D13/103
D444,449 S *	7/2001	Yamamoto	D13/107
D460,412 S *	7/2002	Nawrozki	D13/107
D467,335 S	12/2002	Lithgow et al.		
D468,011 S	12/2002	Lithgow et al.		
D476,077 S *	6/2003	Lithgow	D24/110
D477,868 S *	7/2003	Lithgow	D24/110
D487,311 S	3/2004	Lithgow et al.		
D493,520 S	7/2004	Bertinetti et al.		

D493,884 S	8/2004	Virr et al.		
D497,203 S	10/2004	Lithgow et al.		
D498,527 S *	11/2004	Virr	D24/110
D498,528 S *	11/2004	Van Brunt	D24/110
D504,945 S *	5/2005	Van Brunt	D24/110
D528,212 S	9/2006	Conway		
D544,591 S *	6/2007	Snow	D23/358
D544,598 S *	6/2007	Lithgow	D24/110
D545,954 S *	7/2007	Snow	D23/356
D549,321 S *	8/2007	Snow	D24/110
D549,341 S	8/2007	Ross		
D550,349 S *	9/2007	Lithgow	D24/110

(Continued)

OTHER PUBLICATIONS

Somnetics International, Inc., Transcend ©, Transcend © Quick Guide, 2014, 10 pages.

(Continued)

Primary Examiner — Lilyana Bekic

(74) *Attorney, Agent, or Firm* — Nixon & Vanderhye P.C.

(57) **CLAIM**

The ornamental design for a battery pack for an air delivery module, as shown and described.

DESCRIPTION

FIG. 1 is a front perspective view of a battery pack for an air delivery module showing our new design;

FIG. 2 is a front view thereof;

FIG. 3 is a rear view thereof;

FIG. 4 is a top view thereof;

FIG. 5 is a bottom view thereof;

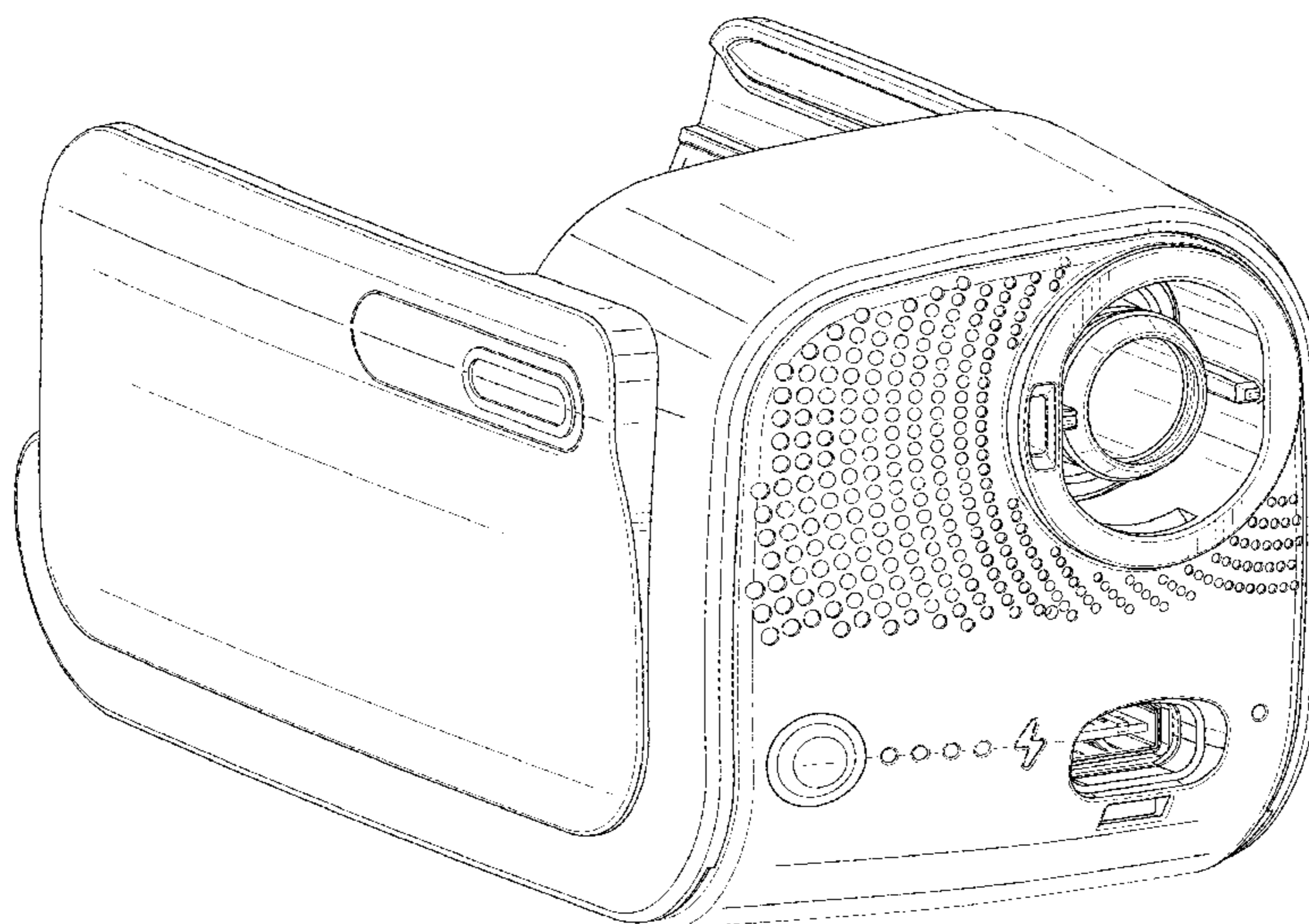
FIG. 6 is a right side view thereof;

FIG. 7 is a left side view thereof; and,

FIG. 8 is a rear perspective view thereof.

The broken lines in the drawings depict portions of the battery pack for an air delivery module that form no part of the claimed design.

1 Claim, 8 Drawing Sheets



(56)

References Cited

U.S. PATENT DOCUMENTS

D560,795 S 1/2008 Lithgow et al.
 D570,473 S 6/2008 Hamaguchi et al.
 D585,540 S 1/2009 Lithgow et al.
 D604,830 S * 11/2009 Lithgow D24/110
 D627,044 S 11/2010 Virr
 8,006,691 B2 8/2011 Kenyon et al.
 D658,283 S 4/2012 Burz et al.
 D659,235 S 5/2012 Bertinetti et al.
 D675,730 S 2/2013 Lithgow et al.
 D708,316 S 7/2014 Bertinetti
 D710,989 S * 8/2014 Bertinetti D24/110
 D725,768 S 3/2015 Eustis et al.
 D729,936 S 5/2015 Reback
 D729,937 S 5/2015 Acker
 D731,050 S 6/2015 Meyer
 D738,489 S 9/2015 Formica
 D740,929 S 10/2015 Pipe et al.
 D743,556 S 11/2015 Bath
 D744,108 S 11/2015 Verma
 D745,137 S 12/2015 Pipe et al.
 D759,804 S 6/2016 Singh et al.
 9,375,543 B2 6/2016 Librett et al.
 D771,799 S 11/2016 Formica
 D774,180 S 12/2016 Wu
 D775,346 S 12/2016 Bath
 D776,256 S 1/2017 Formica
 D776,802 S 1/2017 Loew
 D790,683 S 6/2017 Formica
 D798,428 S 9/2017 Cork
 D801,521 S 10/2017 Hyde
 D804,341 S 12/2017 Rowland

D806,859 S 1/2018 Formica
 2007/0193582 A1 8/2007 Kwok et al.
 2008/0072900 A1* 3/2008 Kenyon A61M 16/0051
 2010/0229867 A1 9/2010 Bertinetti et al.
 2011/0017212 A1* 1/2011 Kenyon A61M 16/00
 2011/0155132 A1* 6/2011 Virr A61M 16/0816
 2012/0029376 A1 2/2012 Meng
 2014/0131904 A1* 5/2014 Tang A61M 16/1075
 2014/0299130 A1 10/2014 Librett et al.
 2014/0299132 A1 10/2014 Librett et al.
 2014/0299406 A1 10/2014 Librett et al.
 2015/0023782 A1 1/2015 Velzy et al.
 2015/0231358 A1* 8/2015 Smith A61M 16/16
 2017/0348498 A1* 12/2017 Salter A61M 16/0051
 2018/0043125 A1* 2/2018 Bencke A61M 16/0816
 2018/0071471 A1* 3/2018 Kirollos A61M 16/026
 2018/0078730 A1* 3/2018 Bath A61M 16/109

OTHER PUBLICATIONS

Human Design Medical, LLC, Z1™ Getting Started Guide, 2013, 2 pages.
 Formica et al., Design U.S. Appl. No. 29/520,116, filed Mar. 11, 2015, entitled "Pressurized Air Delivery Console".
 Formica et al., Design U.S. Appl. No. 29/549,630, filed Dec. 28, 2015, entitled "Pressurized Air Delivery Console".

* cited by examiner

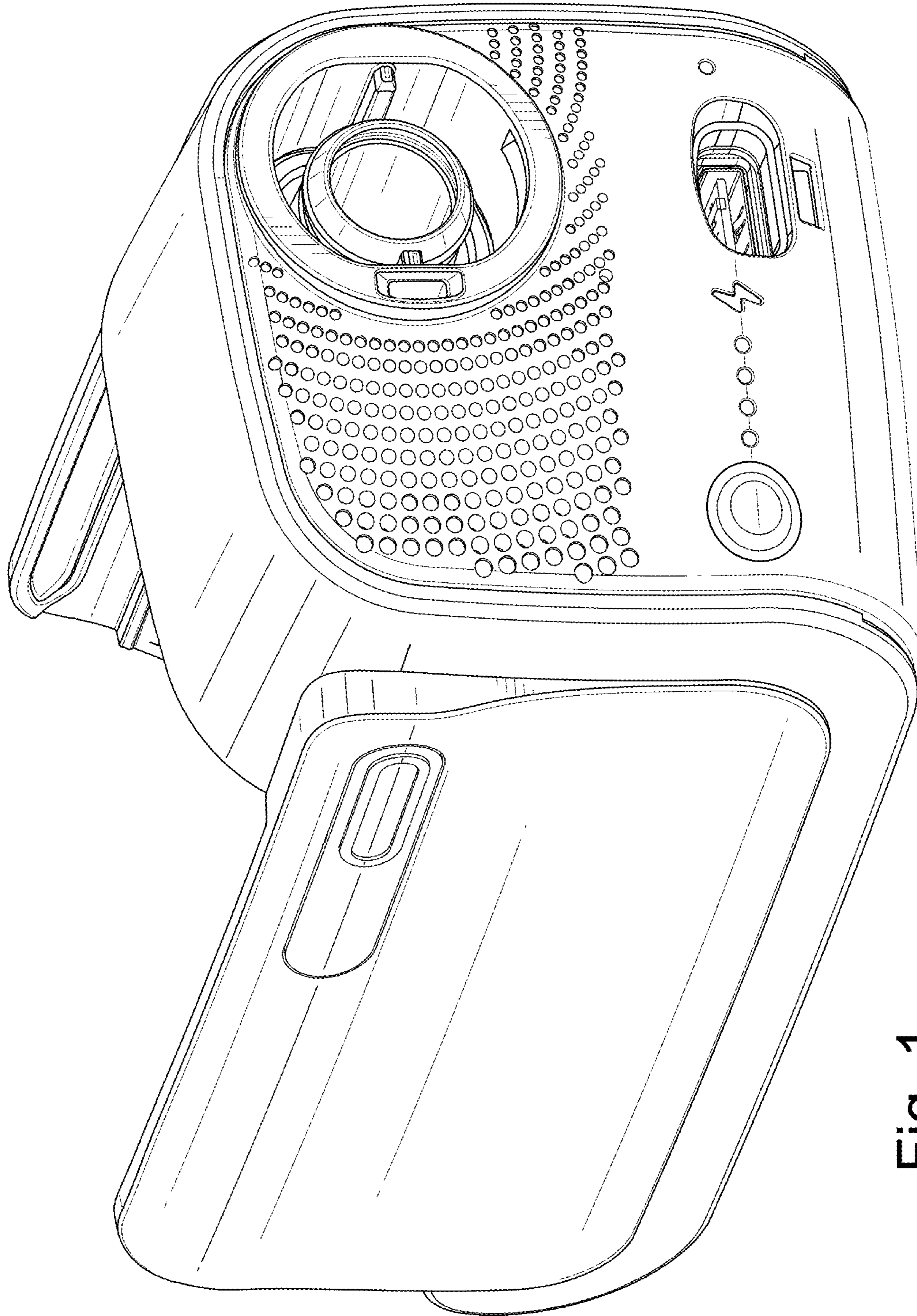


Fig. 1

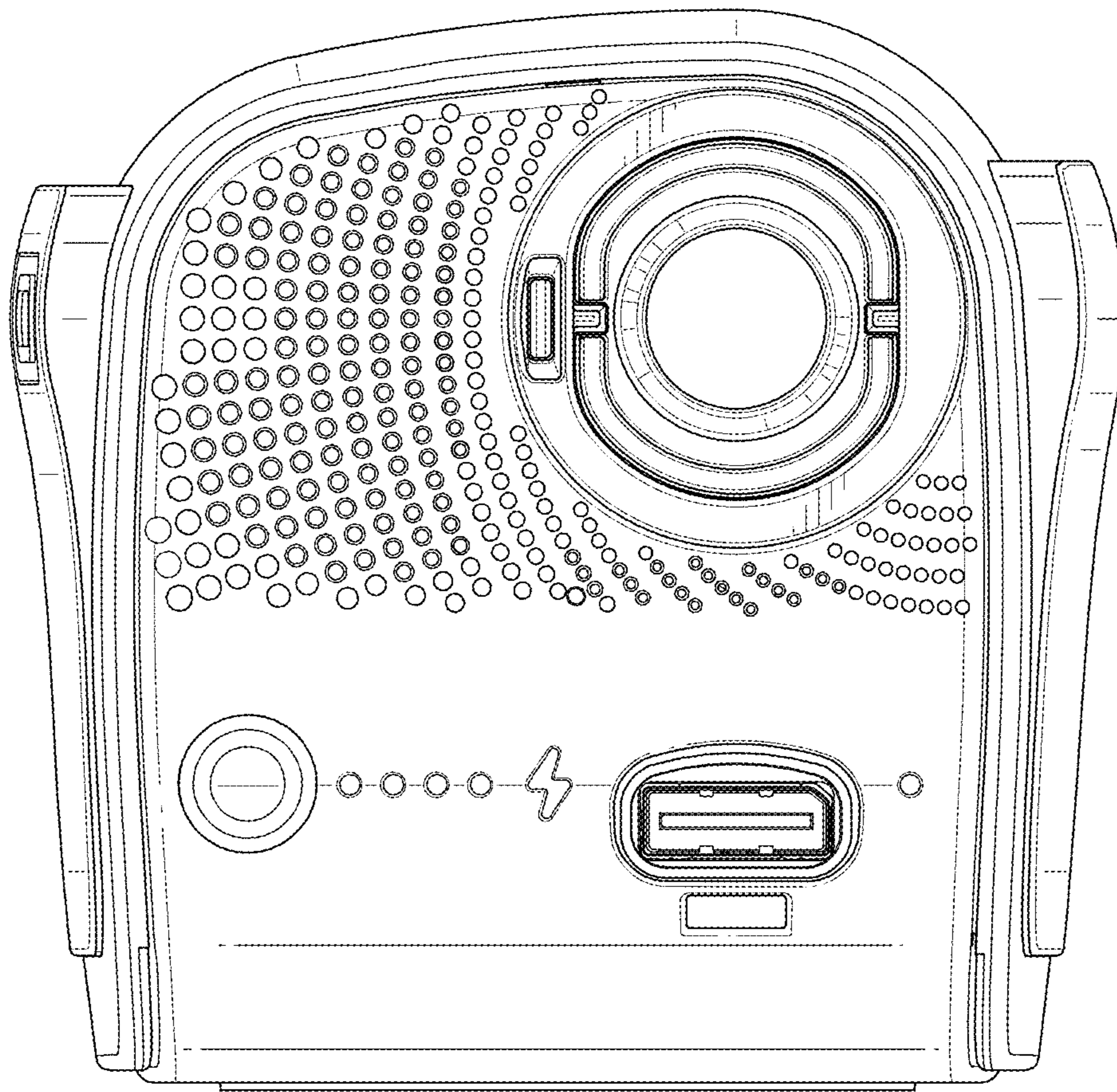


Fig. 2

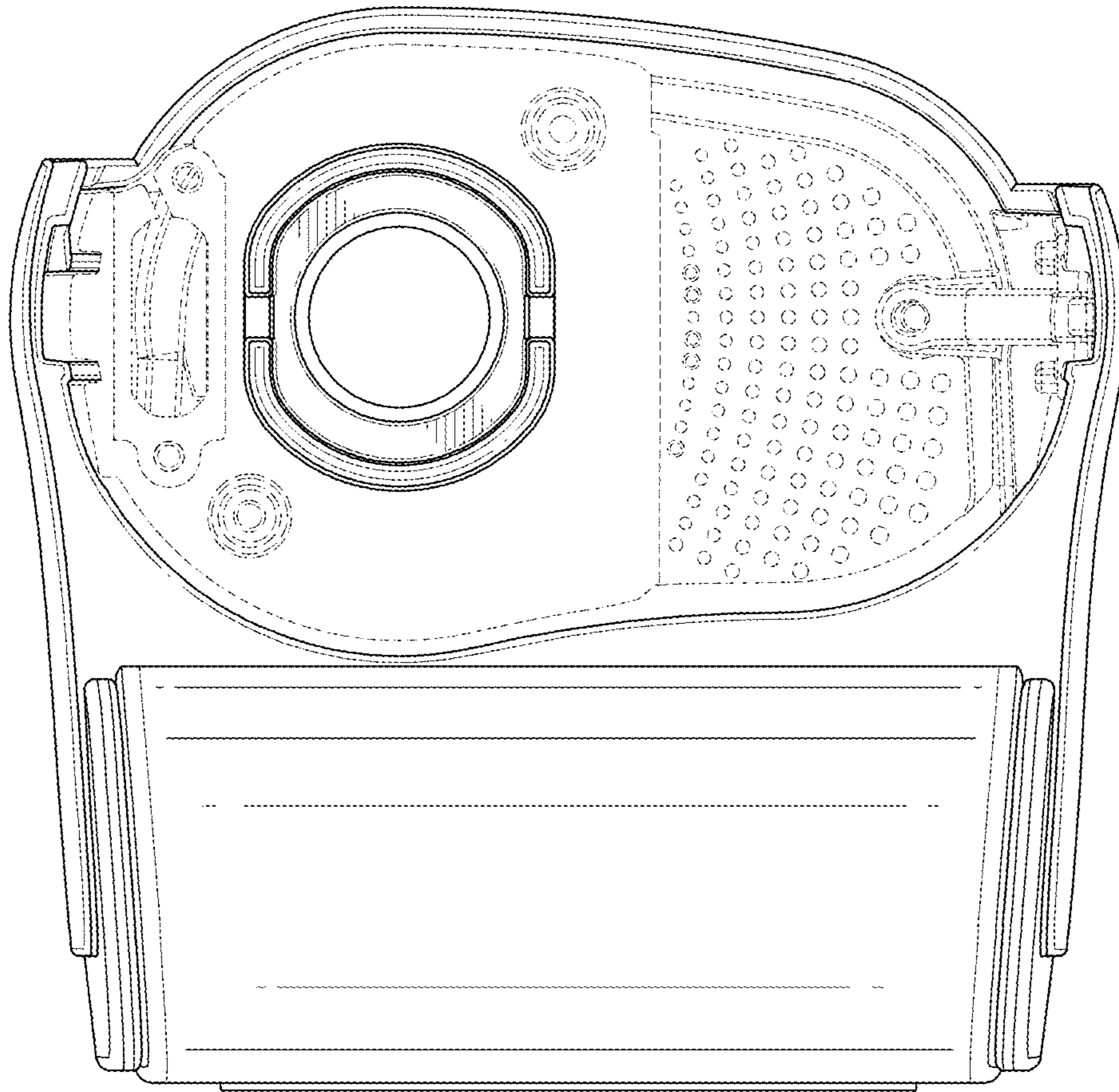


Fig. 3

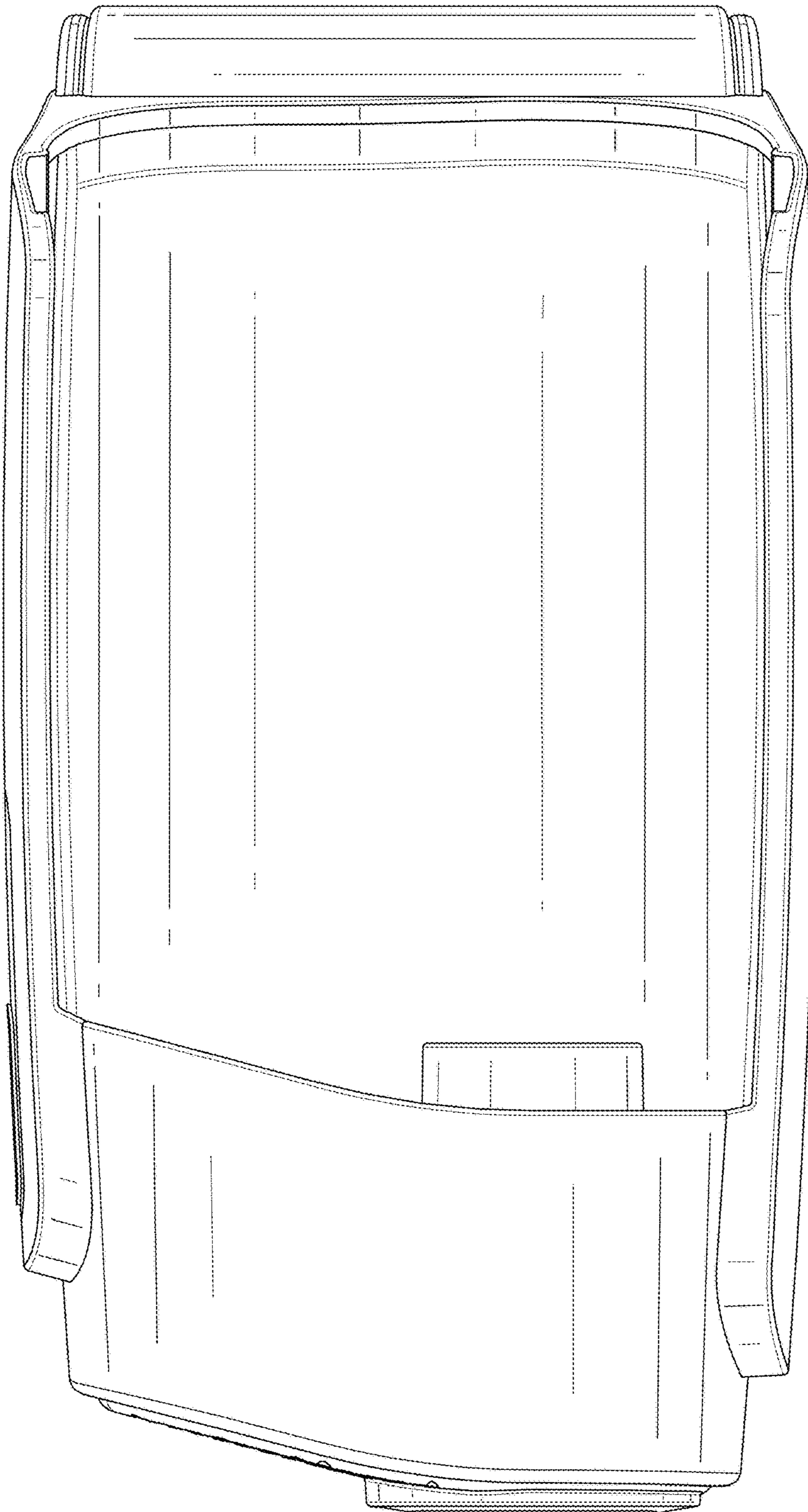


Fig. 4

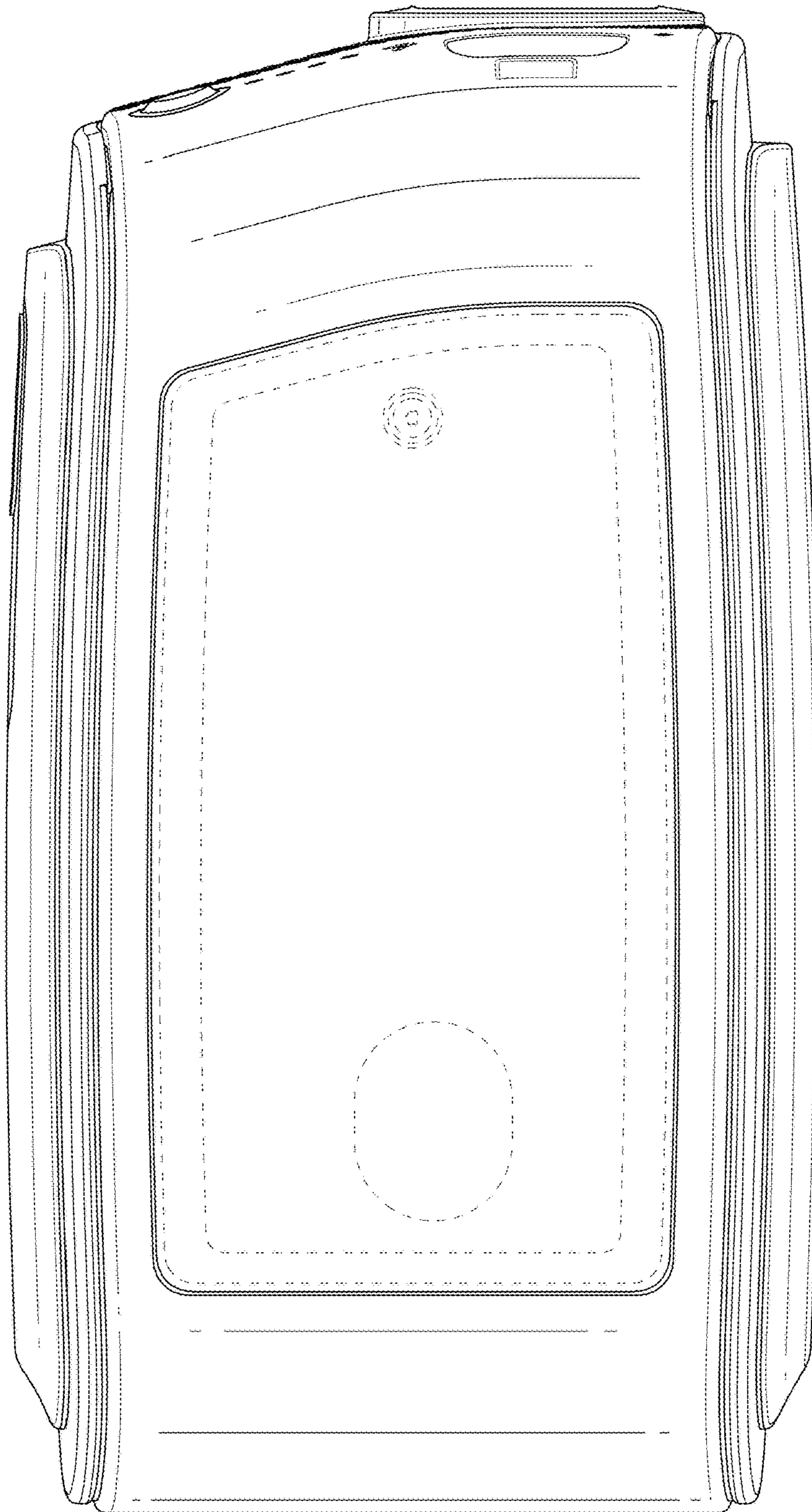


Fig. 5

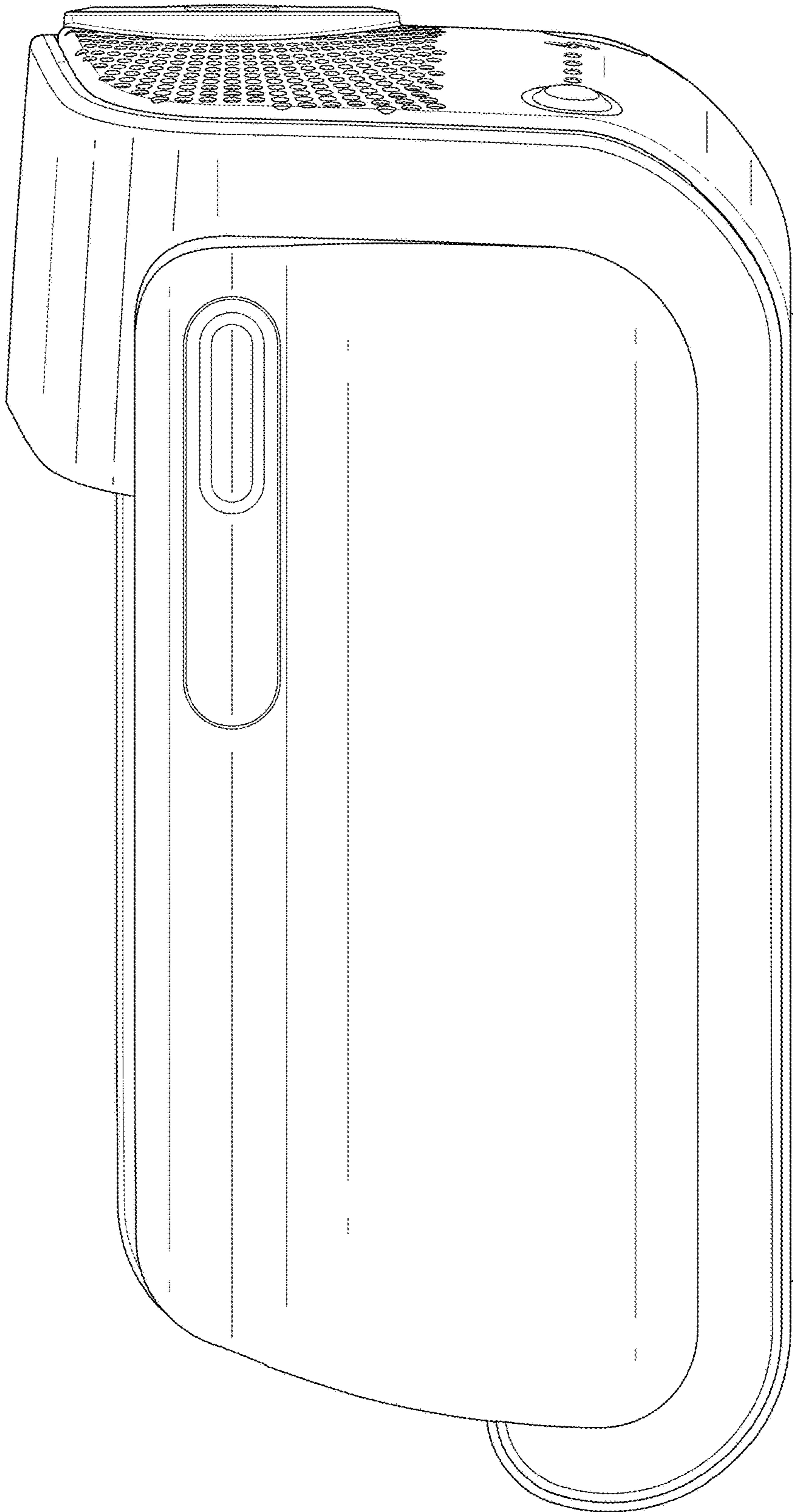


Fig. 6

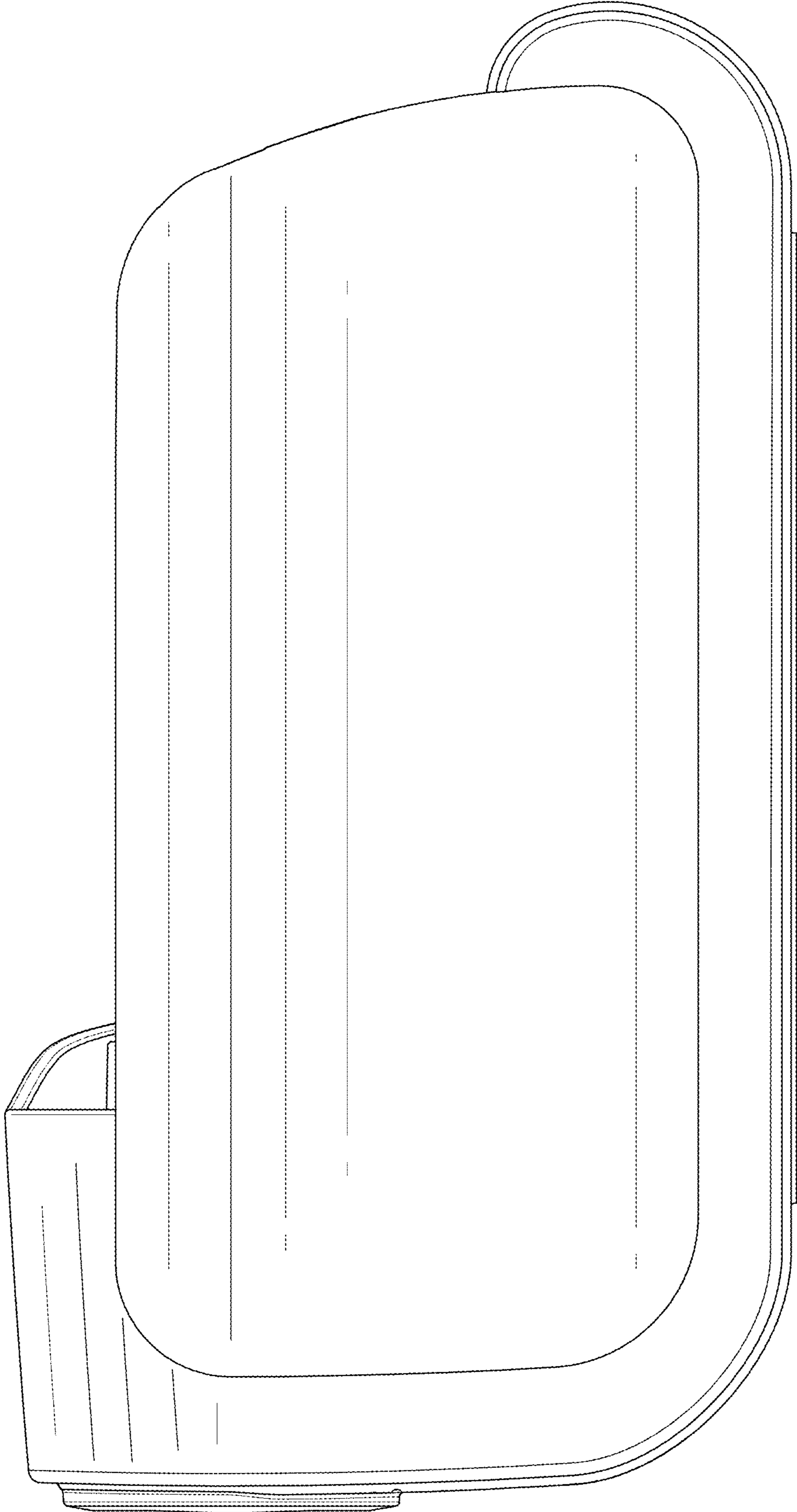


Fig. 7

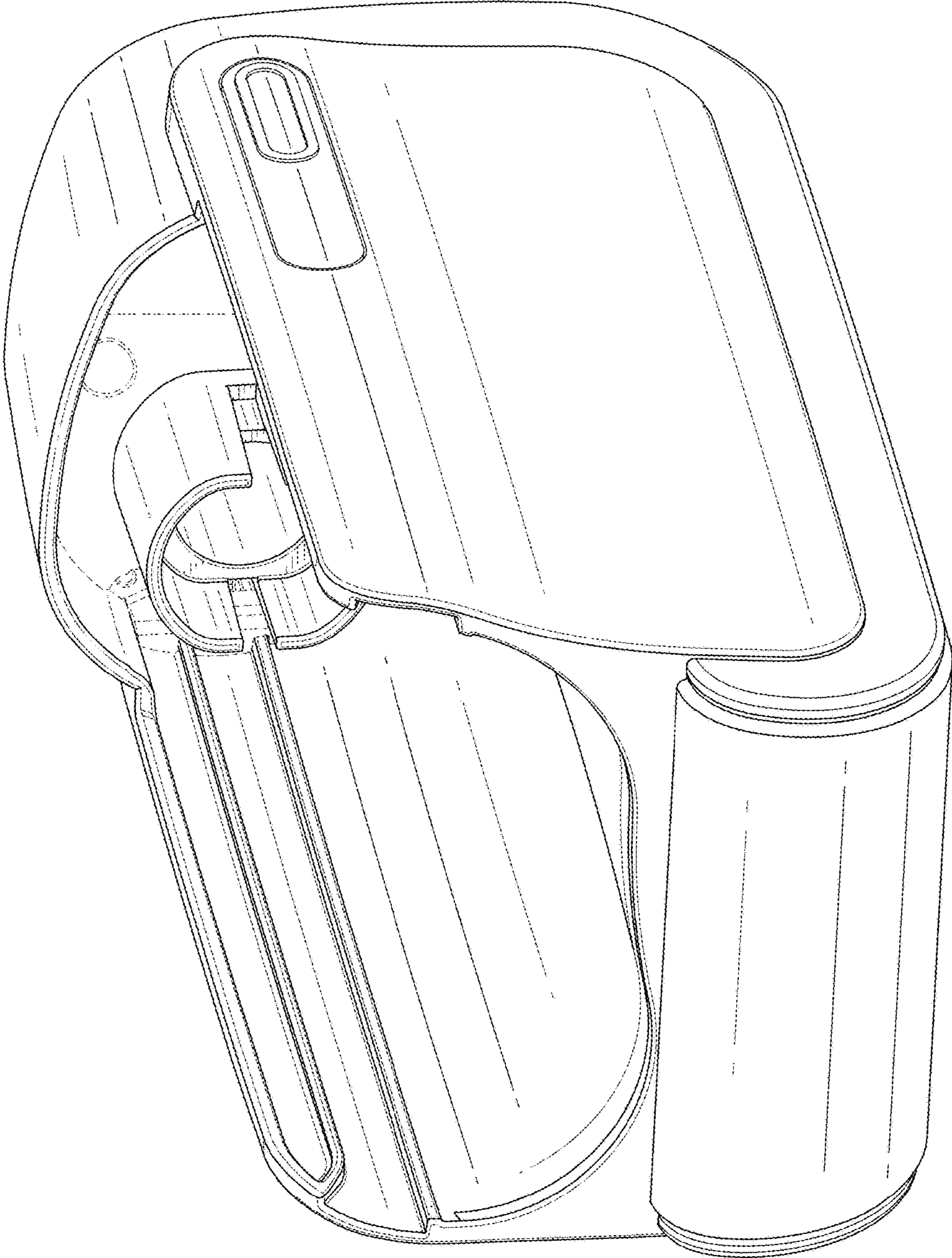


Fig. 8