



US00D857186S

(12) **United States Design Patent**  
**Dandachli**

(10) **Patent No.:** **US D857,186 S**

(45) **Date of Patent:** **\*\* \*Aug. 20, 2019**

(54) **AIR FRESHENER**

(71) Applicant: **Boostnatics, LLC**, Austin, TX (US)

(72) Inventor: **Youssef Dandachli**, Austin, TX (US)

(73) Assignee: **Boostnatics**, Austin, TX (US)

(\*) Notice: This patent is subject to a terminal disclaimer.

(\*\*) Term: **15 Years**

(21) Appl. No.: **29/563,139**

(22) Filed: **May 2, 2016**

(51) **LOC (12) Cl.** ..... **28-99**

(52) **U.S. Cl.**  
USPC ..... **D23/366**

(58) **Field of Classification Search**  
USPC ..... D23/355-369; D28/5, 6; 261/DIG. 17,  
261/DIG. 42, DIG. 47, DIG. 55, DIG. 65,  
261/DIG. 70, DIG. 88, DIG. 89; 392/386,  
392/389, 394, 395, 403; 239/34, 44, 45,  
239/53

CPC ... A61L 9/02; A61L 9/03; A61L 9/034; A61L  
9/04; A61L 9/12; A61L 9/032; A61L  
9/122; A61L 9/127; A61L 9/22

See application file for complete search history.

(56) **References Cited**

**U.S. PATENT DOCUMENTS**

- 4,306,521 A \* 12/1981 Giles ..... B01D 29/05  
123/41.15
- D289,680 S \* 5/1987 Heob ..... D23/386
- D298,051 S \* 10/1988 Matheson ..... D15/5
- D326,544 S \* 5/1992 Yamamoto ..... D32/15
- 5,447,630 A \* 9/1995 Rummmler ..... B01D 21/0003  
110/185
- 5,472,645 A \* 12/1995 Rock ..... B01F 5/0057  
261/79.1
- D368,269 S \* 3/1996 Chapman ..... D15/5

- D380,534 S \* 7/1997 Chiu ..... D23/356
- D409,737 S \* 5/1999 Nilsson ..... D23/332
- D413,122 S \* 8/1999 Chapman ..... D15/5
- 6,156,090 A \* 12/2000 Ishikawa ..... F04D 29/30  
416/144
- 6,290,740 B1 \* 9/2001 Schaefer ..... B01D 46/02  
55/385.2
- 6,669,556 B2 \* 12/2003 Gautney ..... F24F 5/0035  
454/256
- D521,983 S \* 5/2006 Kuo ..... D14/216
- D530,807 S \* 10/2006 Miyagishima ..... D23/365
- 7,931,718 B2 \* 4/2011 Cheng ..... B01D 45/16  
55/345
- D642,254 S \* 7/2011 Mazzeo ..... D23/366
- D642,255 S \* 7/2011 Mazzeo ..... D23/366

(Continued)

**OTHER PUBLICATIONS**

youtube.com, boostnatics spinning turbo air freshener, Dec. 6, 2016,  
<https://www.youtube.com/watch?v=UnUAUq7an5Q> (Year: 2016).\*

*Primary Examiner* — David G Muller  
*Assistant Examiner* — Nathan M Johnston  
(74) *Attorney, Agent, or Firm* — Pierson IP, PLLC

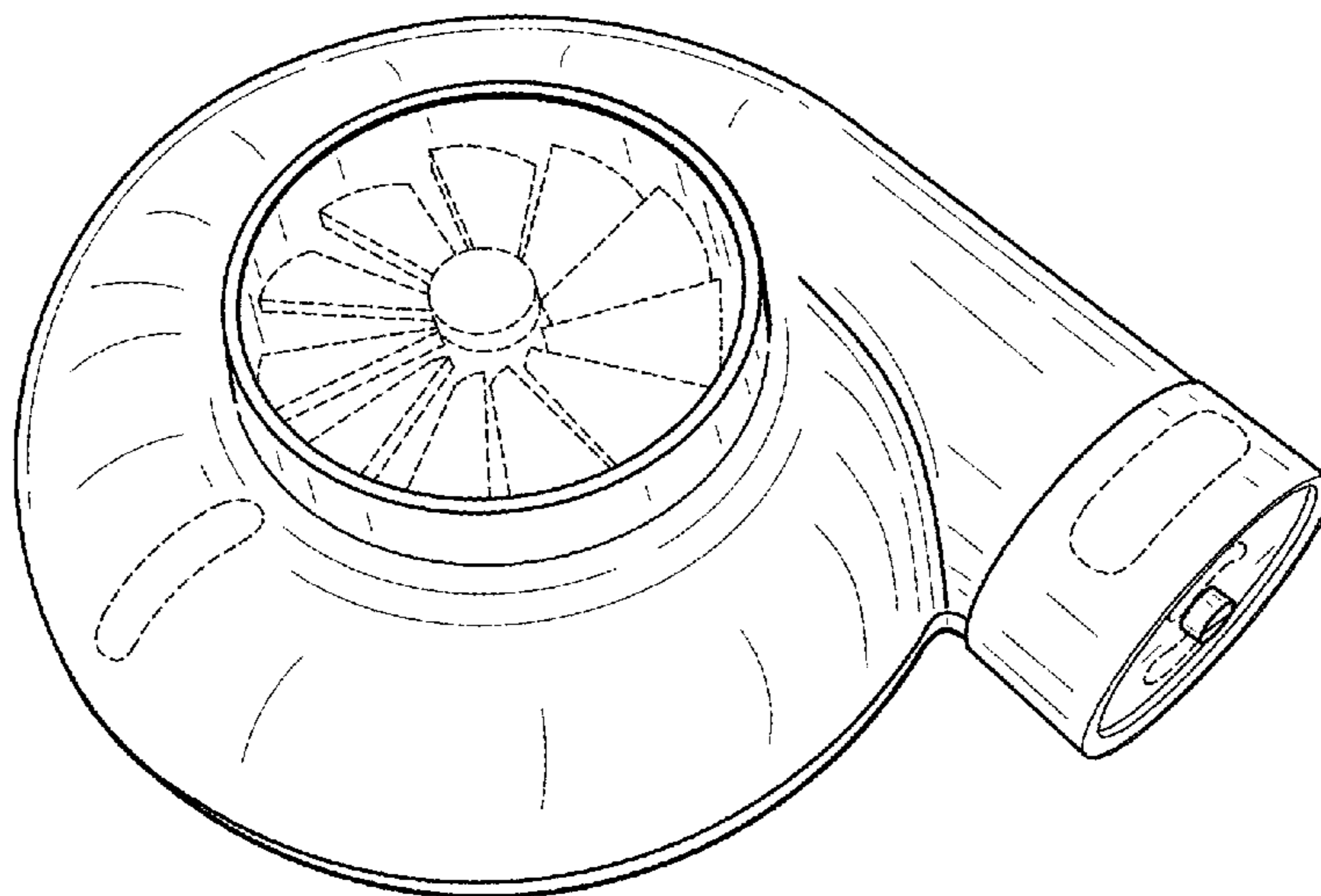
(57) **CLAIM**

The ornamental design for an air freshener, as shown and described.

**DESCRIPTION**

FIG. 1 is a perspective view of the air freshener showing my new design thereof;  
FIG. 2 is a front elevation view thereof;  
FIG. 3 is a rear elevation view thereof;  
FIG. 4 is a first side elevation view thereof;  
FIG. 5 is a second side elevation view thereof;  
FIG. 6 is a top plan view thereof; and,  
FIG. 7 is a bottom plan view thereof.  
Elements shown in broken lines show non-claimed elements of the air freshener and form no part of our design.

**1 Claim, 4 Drawing Sheets**



(56)

**References Cited**

## U.S. PATENT DOCUMENTS

8,196,903 B2 \* 6/2012 Jorgensen ..... A61L 9/14  
239/102.1  
8,206,133 B2 \* 6/2012 Mudel ..... F01D 25/243  
417/406  
D692,551 S \* 10/2013 Wirz ..... D23/366  
D722,763 S \* 2/2015 Dandachli ..... D14/435.1  
D740,327 S \* 10/2015 Naruoka ..... D15/5  
D751,283 S \* 3/2016 Dandachli ..... D14/435.1  
D751,685 S \* 3/2016 Wanezaki ..... D23/386  
D753,279 S \* 4/2016 Li ..... D23/366  
D762,833 S \* 8/2016 Ogg ..... D23/365  
D765,966 S \* 9/2016 Dandachli ..... D3/211  
D785,926 S \* 5/2017 Dandachli ..... D3/211  
D786,549 S \* 5/2017 Dandachli ..... D3/211  
D793,452 S \* 8/2017 Regnier ..... D15/5  
D807,024 S \* 1/2018 Dandachli ..... D3/211  
2015/0013371 A1 \* 1/2015 Cho ..... F24F 3/1405  
62/272  
2015/0020485 A1 \* 1/2015 Hong ..... F24F 13/20  
55/473  
2015/0086347 A1 \* 3/2015 Jinnai ..... F01D 9/026  
415/204  
2015/0159891 A1 \* 6/2015 Chan ..... F24F 7/007  
165/59  
2016/0271552 A1 \* 9/2016 Allison, III ..... B01D 47/10  
2017/0348628 A1 \* 12/2017 Hatfield ..... B01D 50/006

\* cited by examiner

FIG. 1

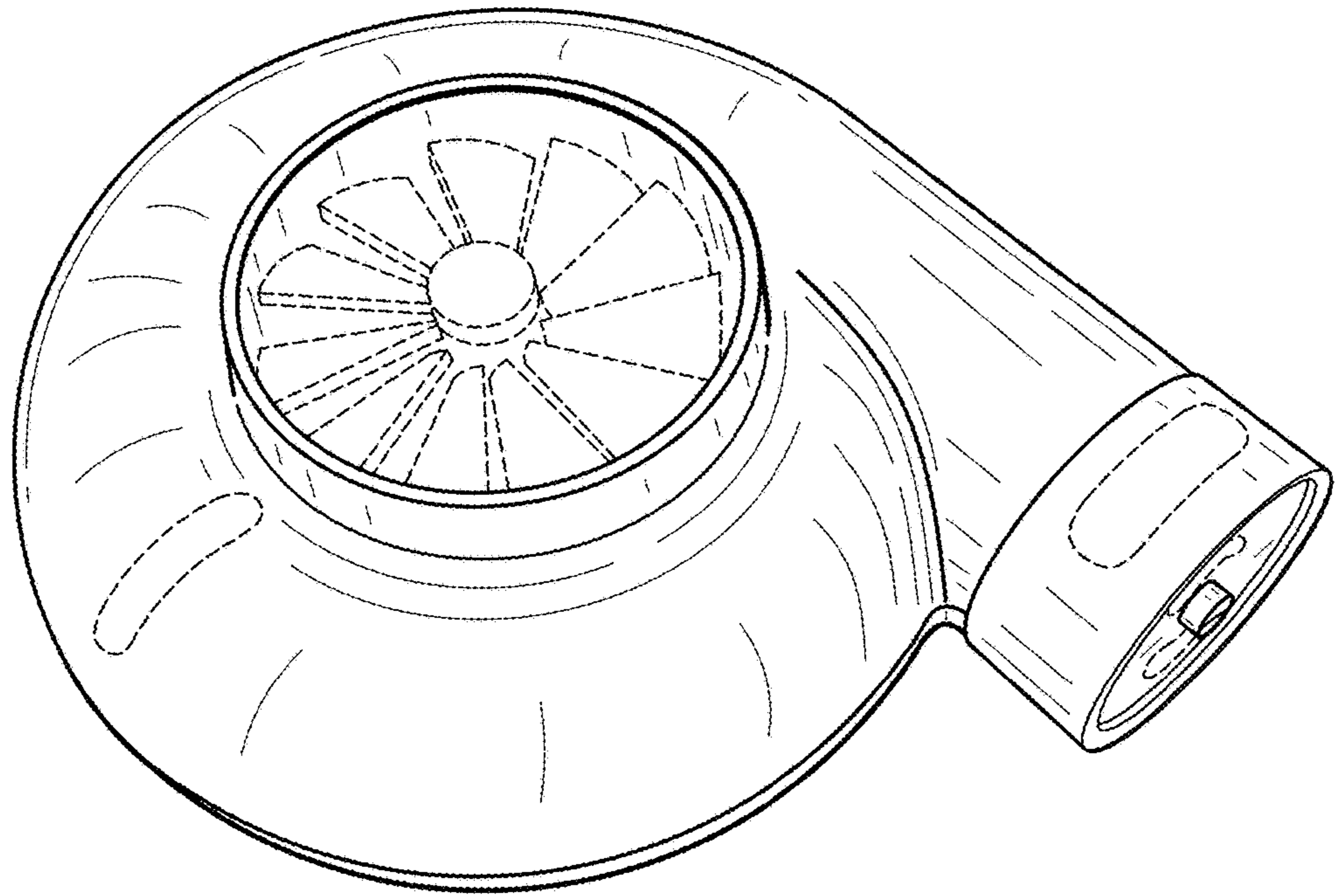


FIG. 2

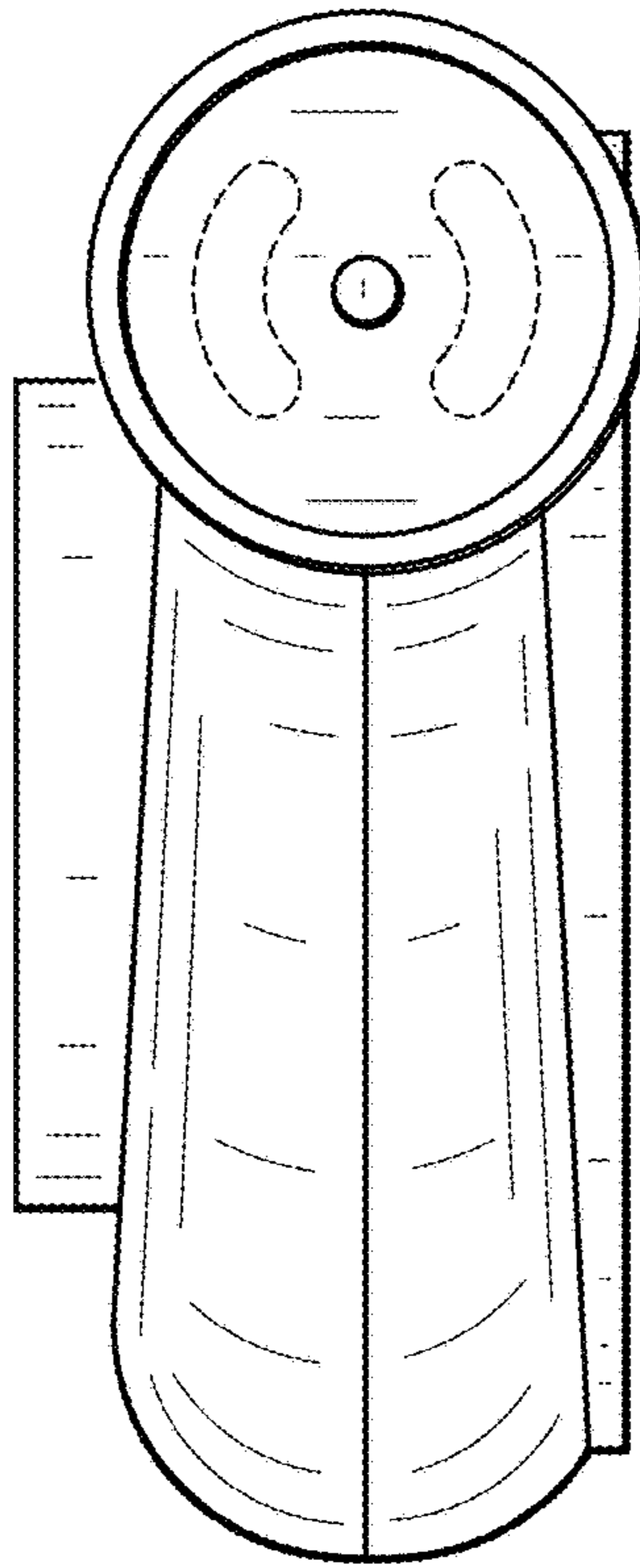


FIG. 3

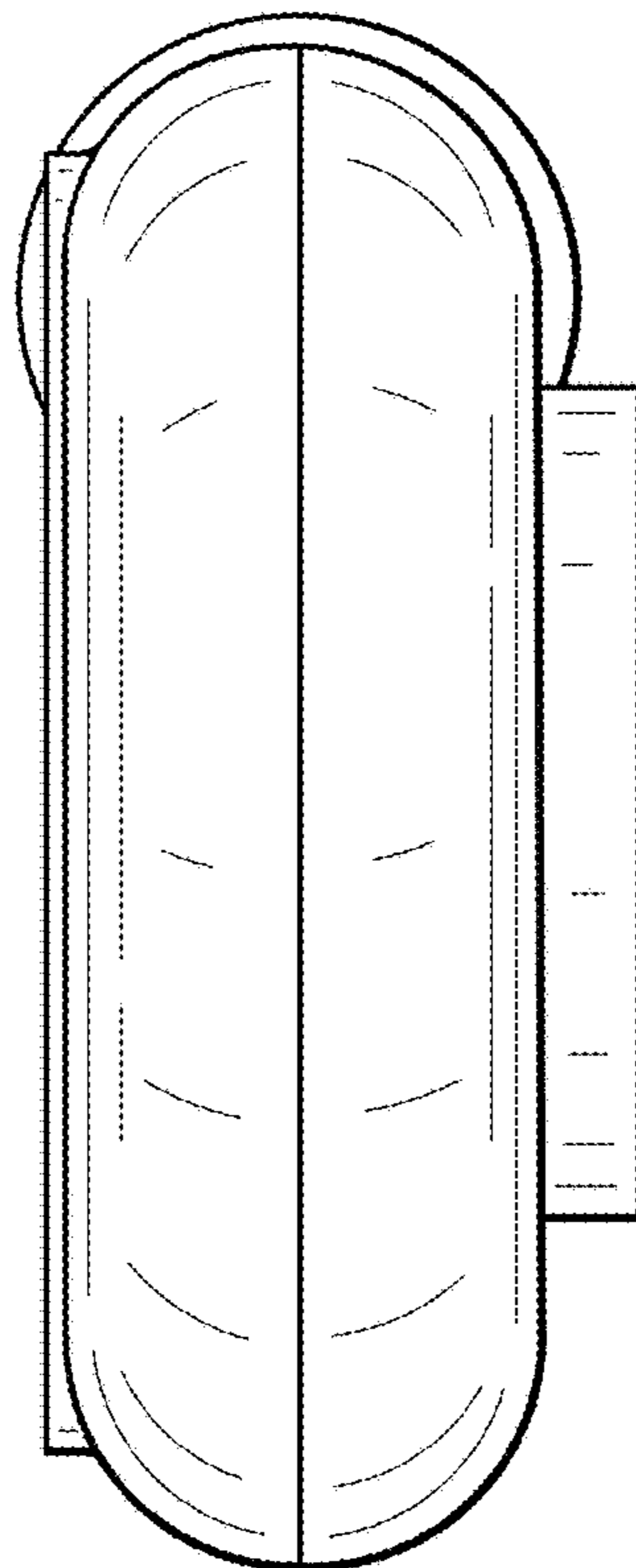




FIG. 4

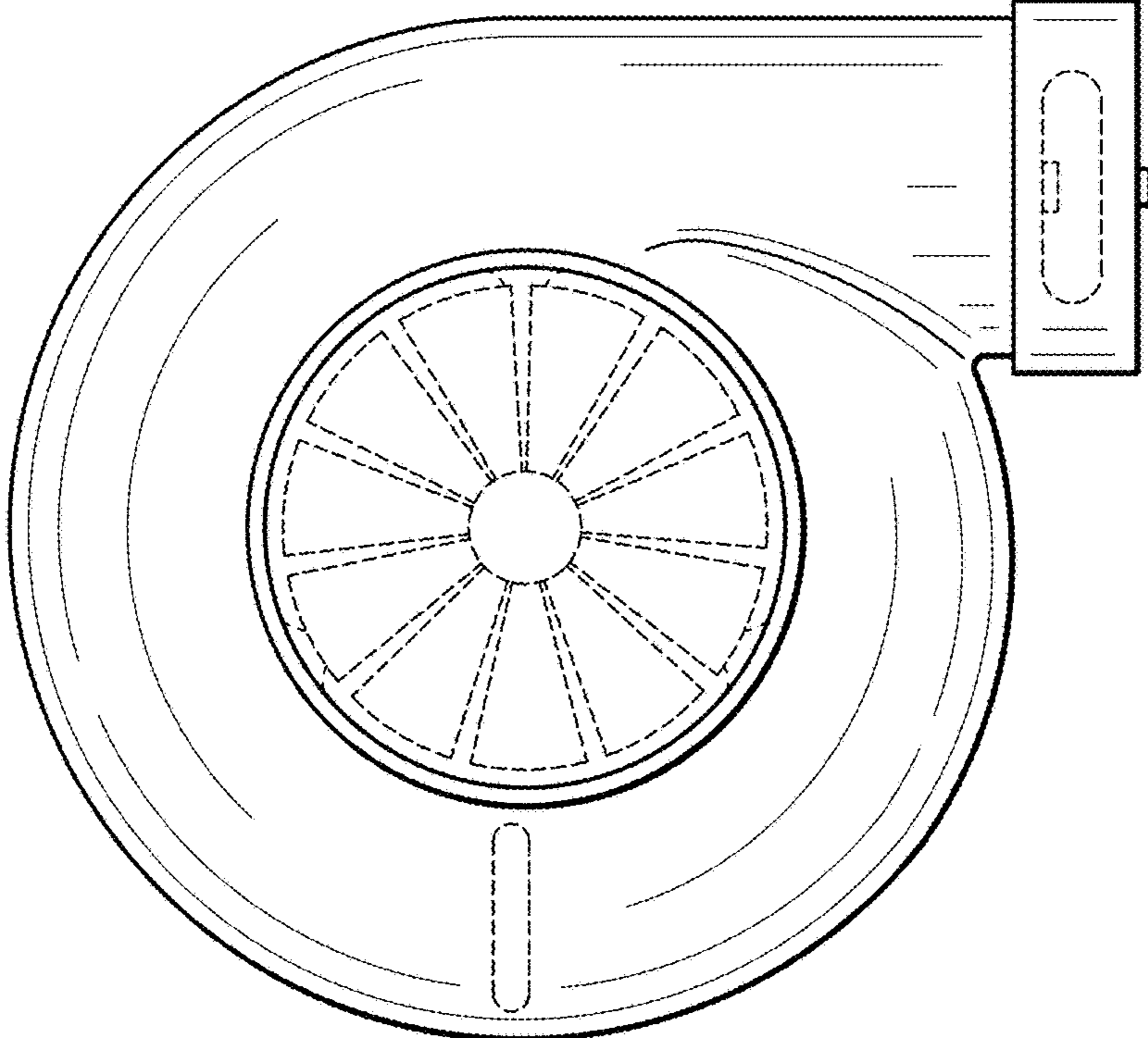


FIG. 5

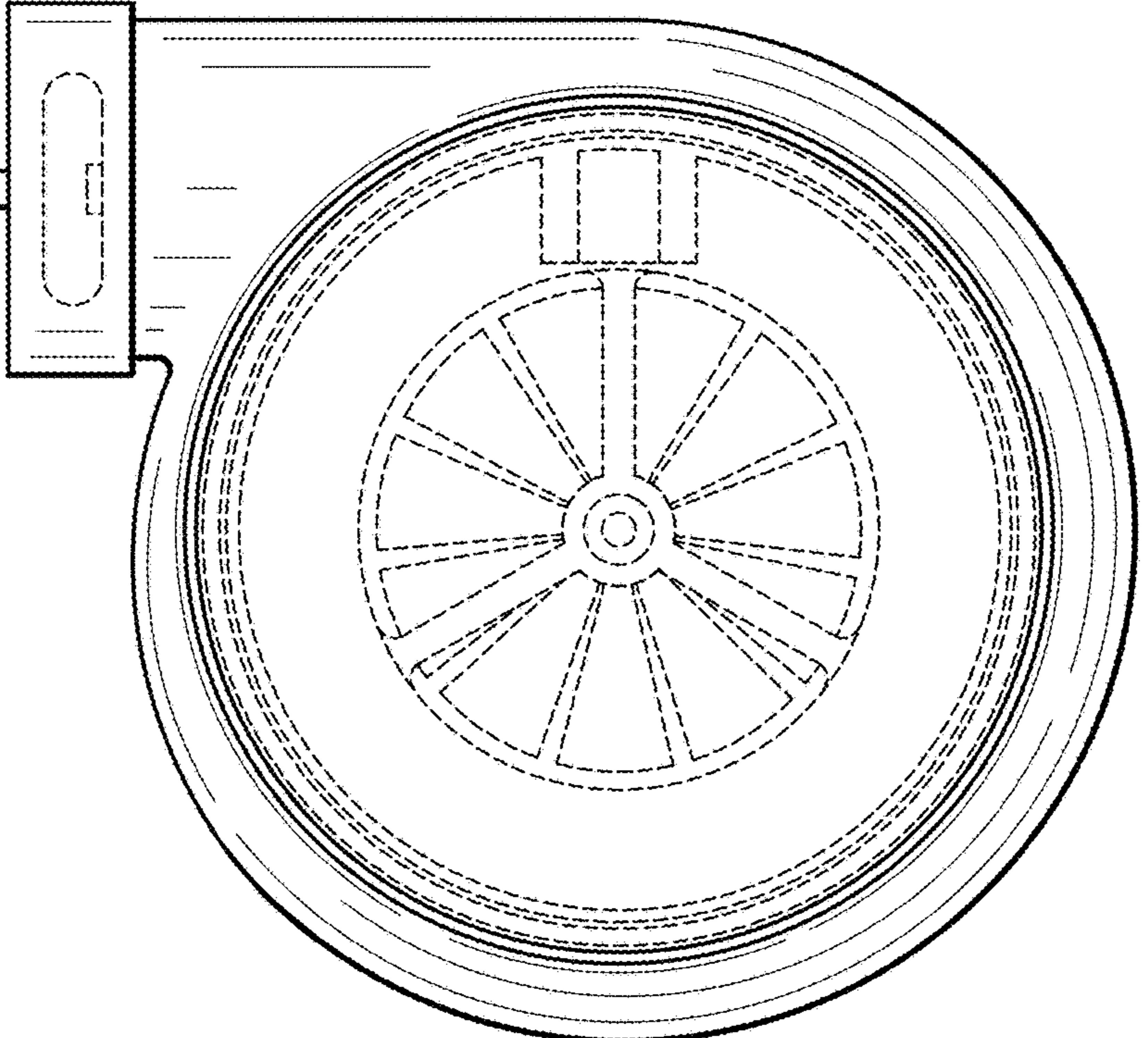


FIG. 6

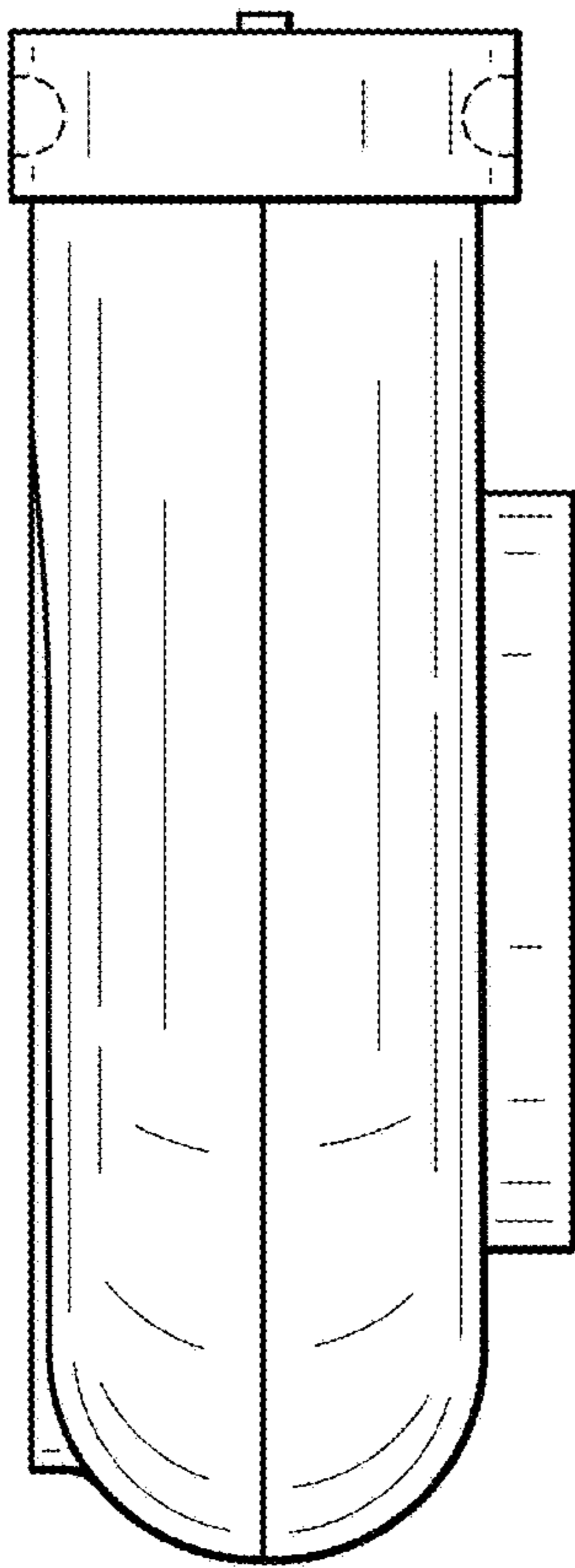


FIG. 7

