



US00D857185S

(12) **United States Design Patent** (10) **Patent No.:** **US D857,185 S**  
**Hu** (45) **Date of Patent:** **\*\* Aug. 20, 2019**

(54) **HUMIDIFIER**  
(71) Applicant: **SHENZHEN QIANHAI PATUOXUN NETWORK AND TECHNOLOGY CO., LTD**, Shenzhen (CN)  
(72) Inventor: **Zaihui Hu**, Shenzhen (CN)  
(73) Assignee: **SHENZHEN QIANHAI PATUOXUN NETWORK AND TECHNOLOGY CO., LTD**, Shenzhen (CN)

D728,768 S \* 5/2015 Matias ..... D23/366  
D760,885 S \* 7/2016 Lin ..... D23/366  
D805,172 S \* 12/2017 Nanda ..... D23/366  
D828,530 S \* 9/2018 Brandenburg ..... D23/366  
D828,534 S \* 9/2018 Hu ..... D23/366  
D839,405 S \* 1/2019 Hu ..... D23/366  
D844,127 S \* 3/2019 Wang ..... D23/366  
D845,459 S \* 4/2019 Hu ..... D23/366

(\*\*) Term: **15 Years**

(21) Appl. No.: **29/681,037**

(22) Filed: **Feb. 22, 2019**

(51) **LOC (12) Cl.** ..... **23-04**

(52) **U.S. Cl.**  
USPC ..... **D23/356**

(58) **Field of Classification Search**  
USPC ..... D23/355-366, 332, 333, 336; 422/120, 422/122; 55/356, 473, 504; 96/97  
CPC ..... F24F 3/1405; F24F 3/1603; F24F 13/222  
See application file for complete search history.

(56) **References Cited**

**U.S. PATENT DOCUMENTS**

D548,317 S \* 8/2007 Newton ..... D23/366  
D629,880 S \* 12/2010 Hisey ..... D23/366  
D647,187 S \* 10/2011 Chan ..... D23/364  
D675,309 S \* 1/2013 Freeborn ..... D23/366  
D715,910 S \* 10/2014 Lin ..... A61L 9/03  
D23/366

**FOREIGN PATENT DOCUMENTS**

EM 004101186-0001 7/2017  
EM 004135879-0001 8/2017

\* cited by examiner

*Primary Examiner* — David G Muller

(74) *Attorney, Agent, or Firm* — JCIP Global Inc.

(57) **CLAIM**

The ornamental design for a humidifier, as shown and described.

**DESCRIPTION**

FIG. 1 is a perspective view of a humidifier showing my new design;

FIG. 2 is another perspective view thereof;

FIG. 3 is a front view thereof;

FIG. 4 is a rear view thereof;

FIG. 5 is a left side view thereof;

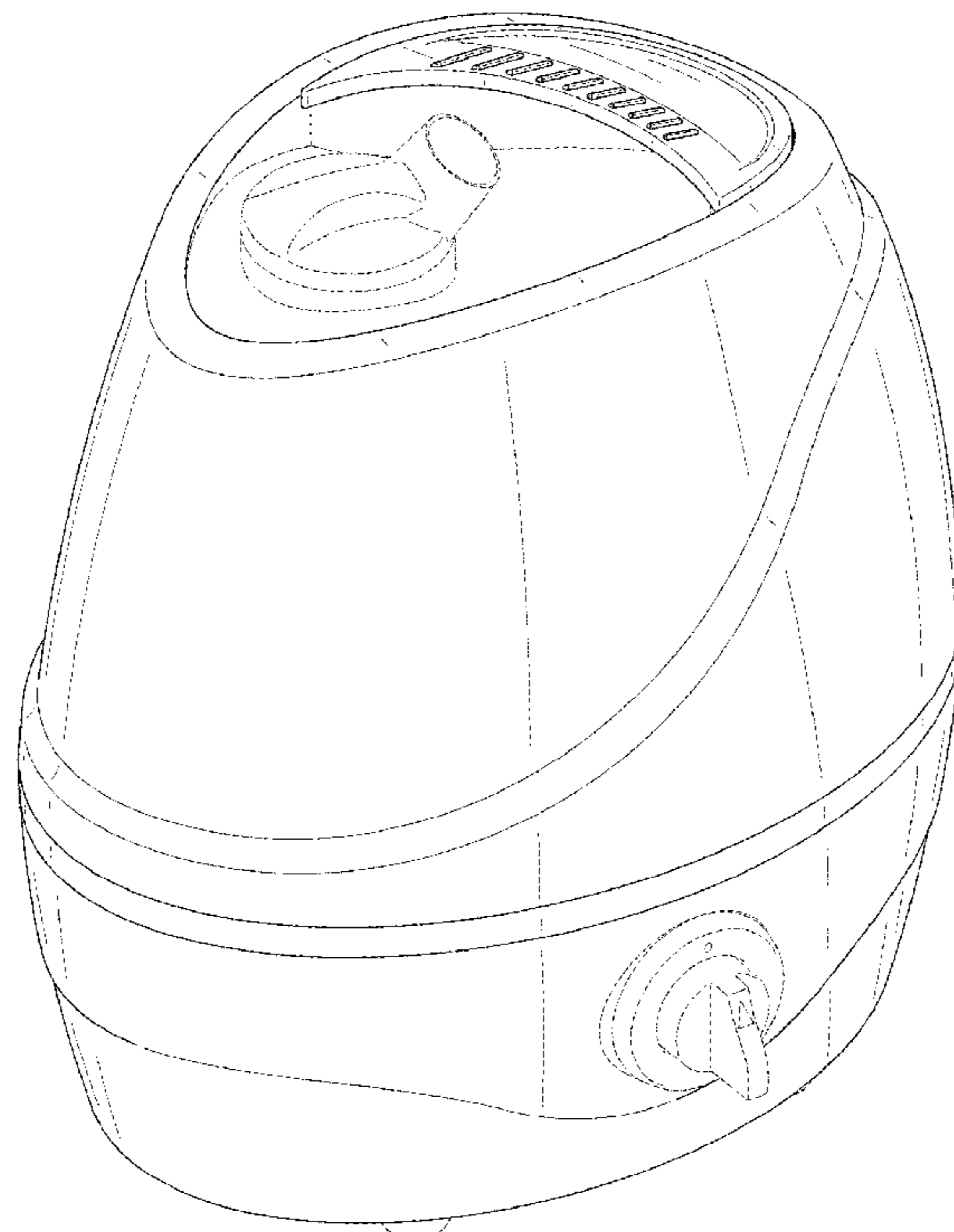
FIG. 6 is a right side view thereof;

FIG. 7 is a top view thereof; and,

FIG. 8 is a bottom view thereof.

The broken lines shown in the drawings represent portions of the humidifier that form no part of the claimed design.

**1 Claim, 8 Drawing Sheets**



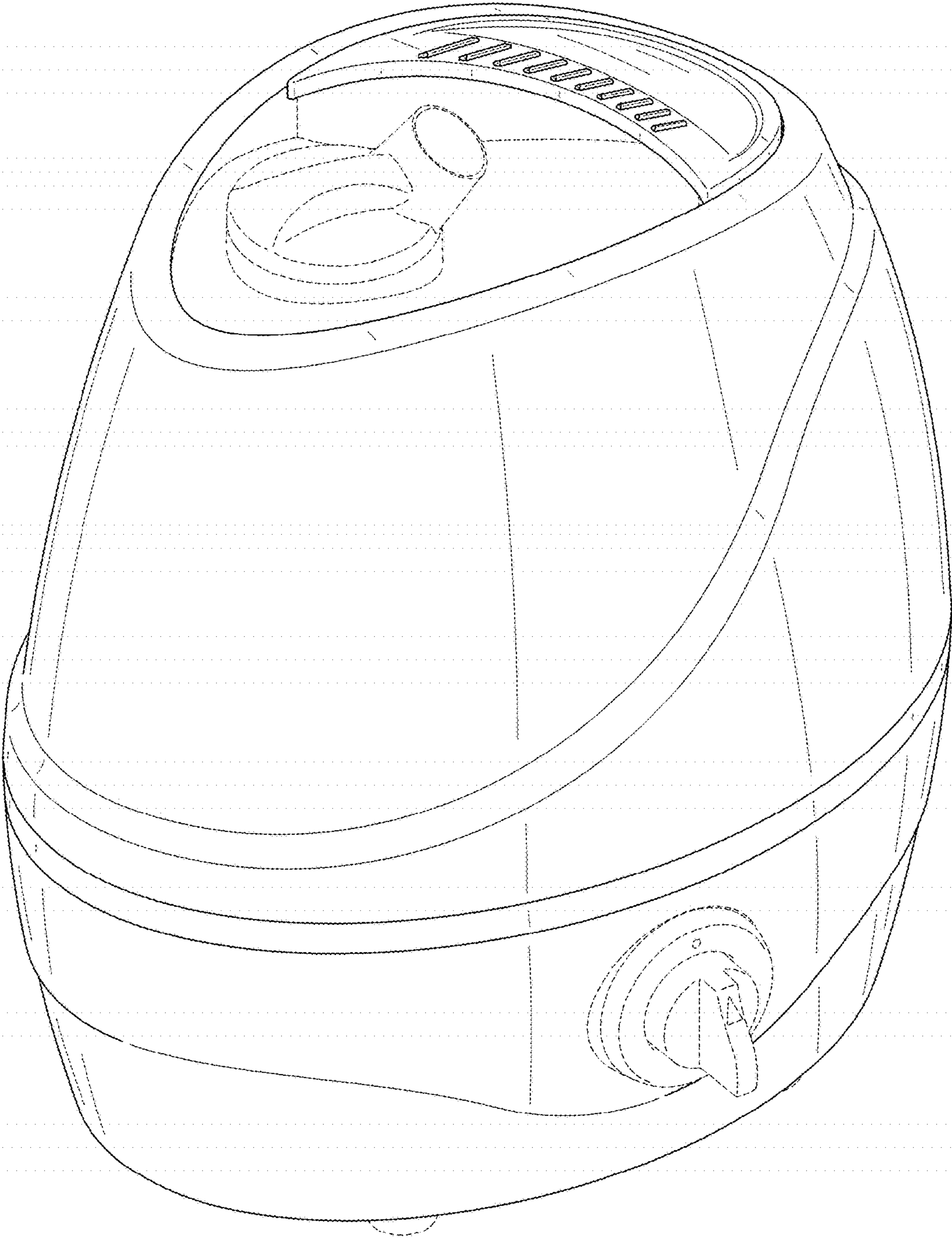


FIG. 1

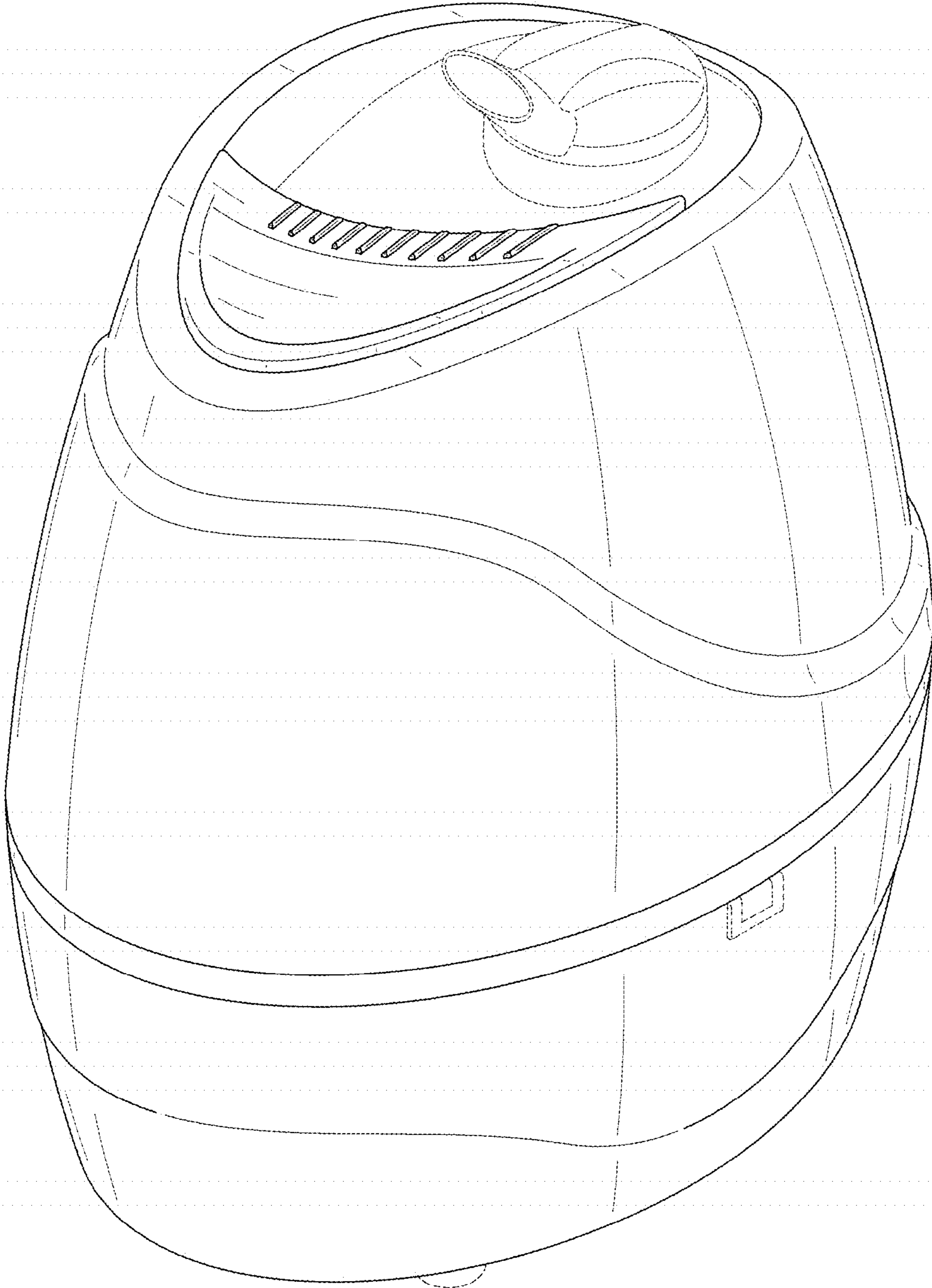


FIG. 2

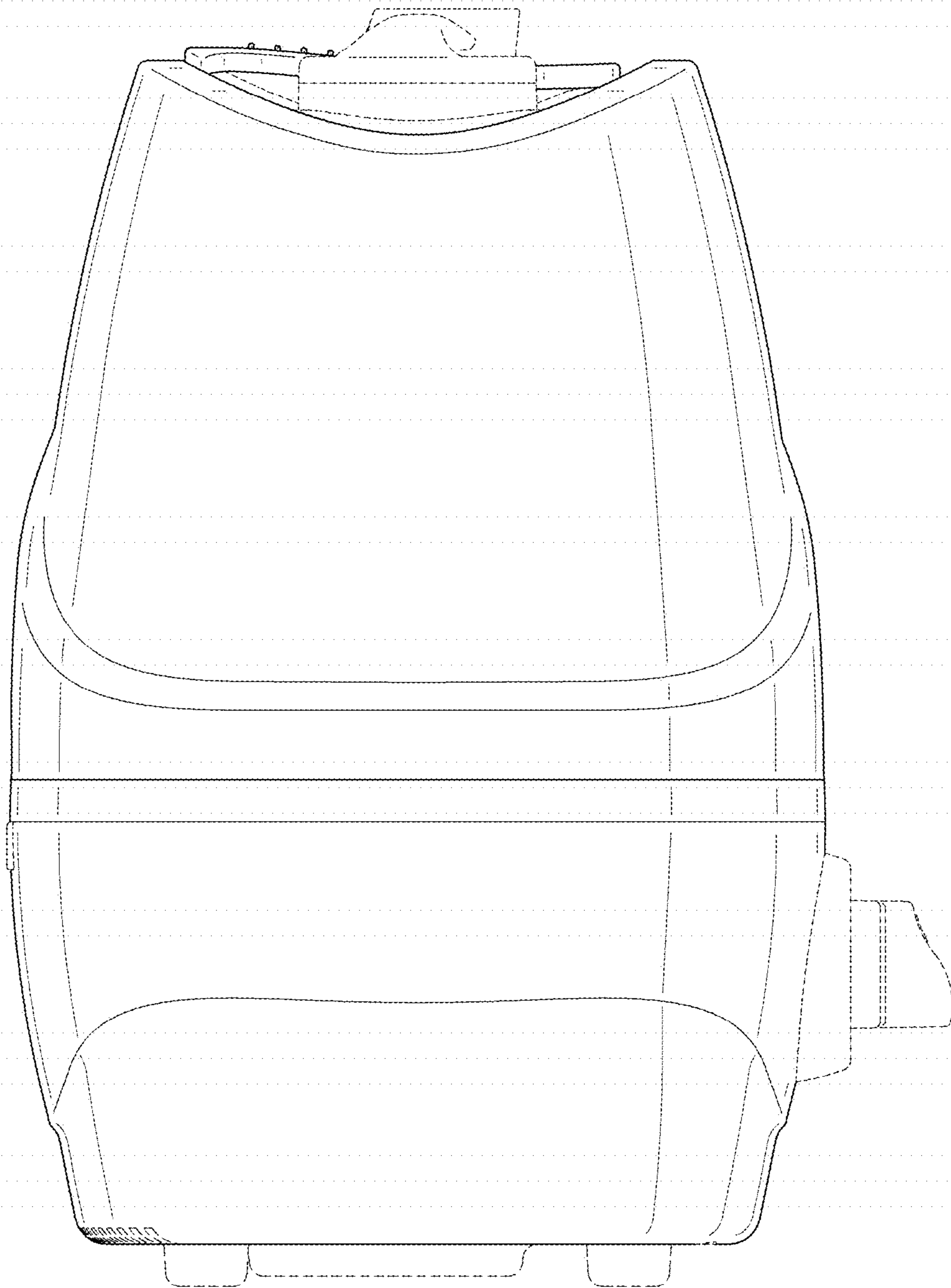


FIG. 3

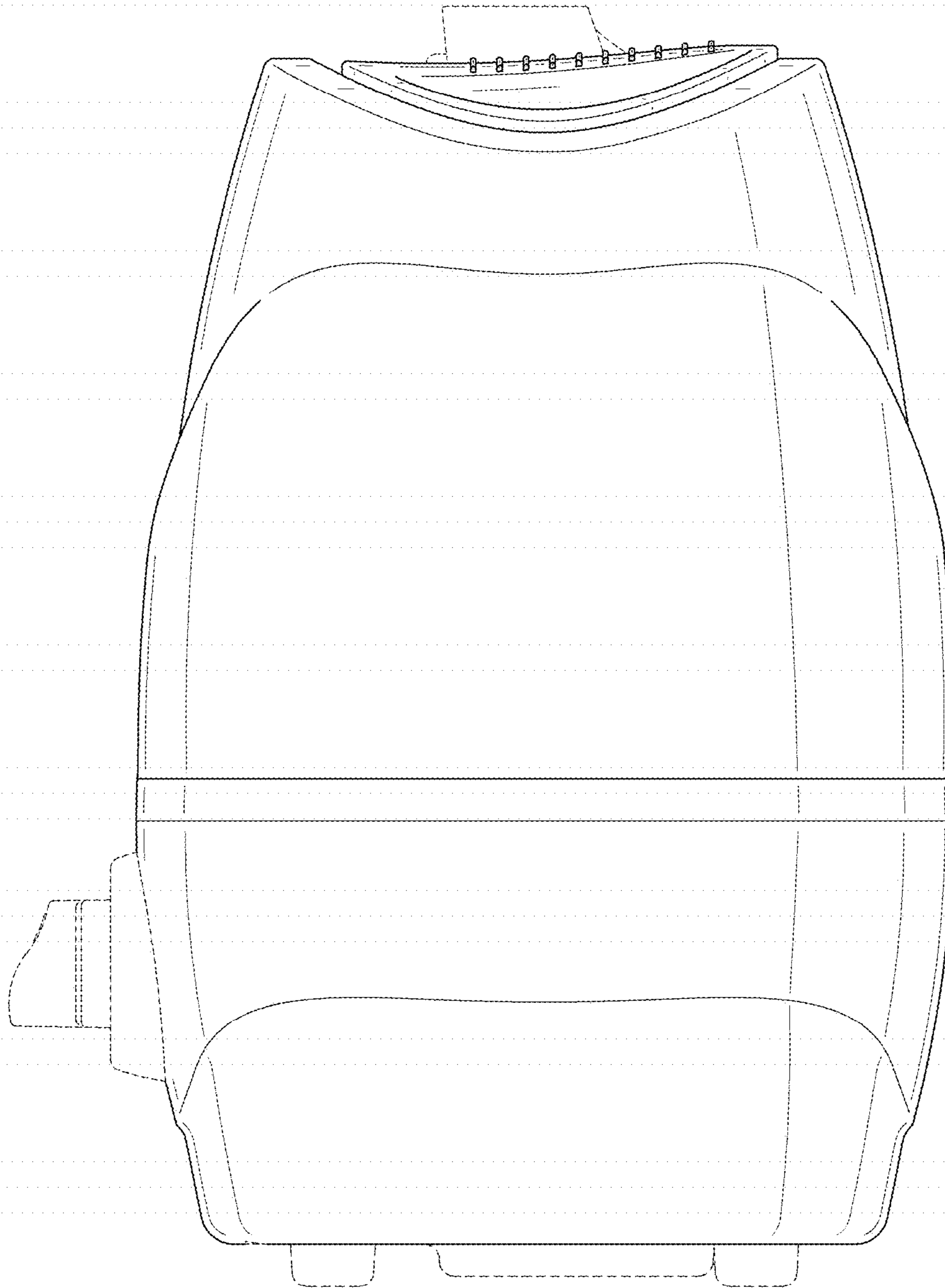


FIG. 4

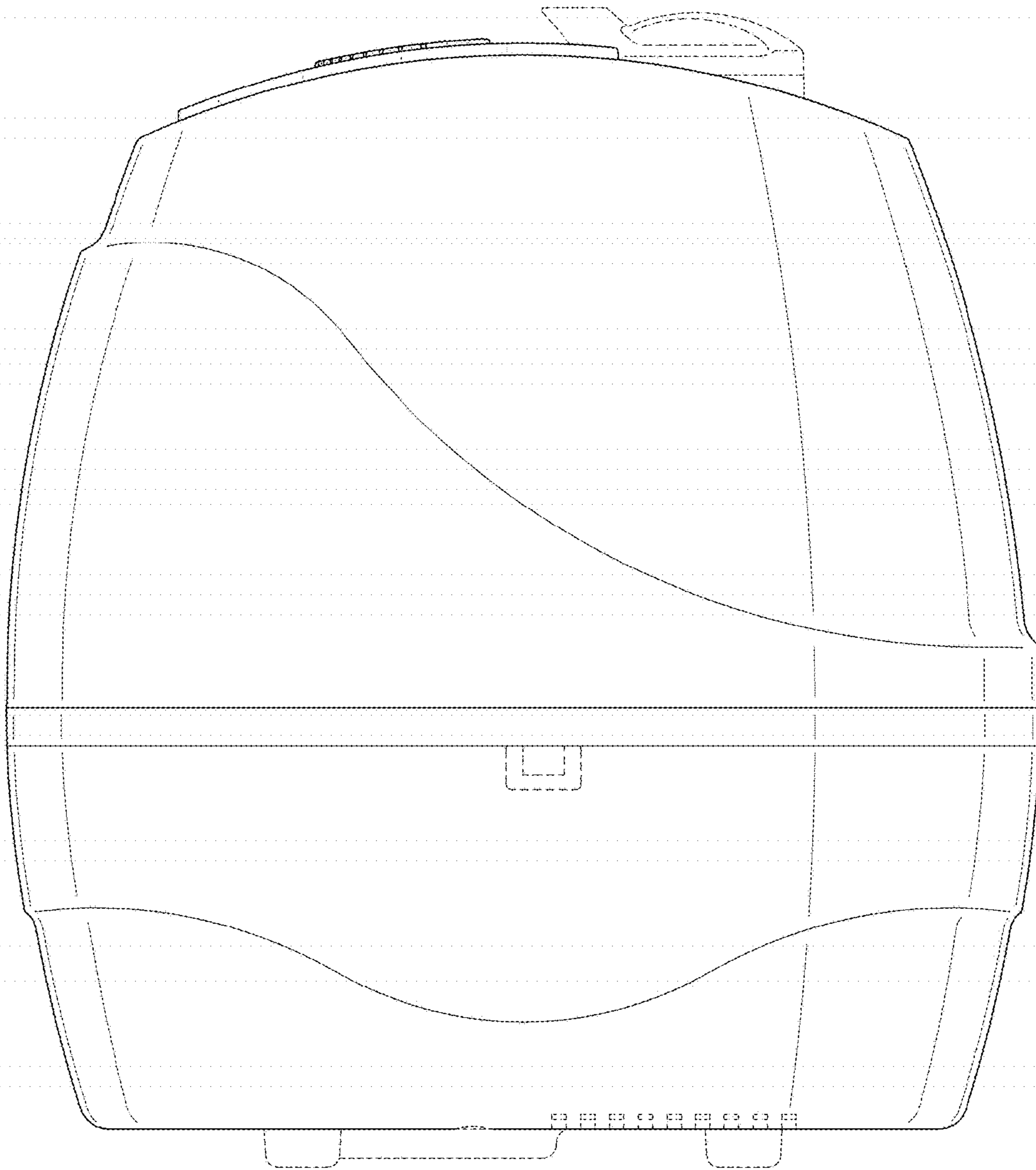


FIG. 5

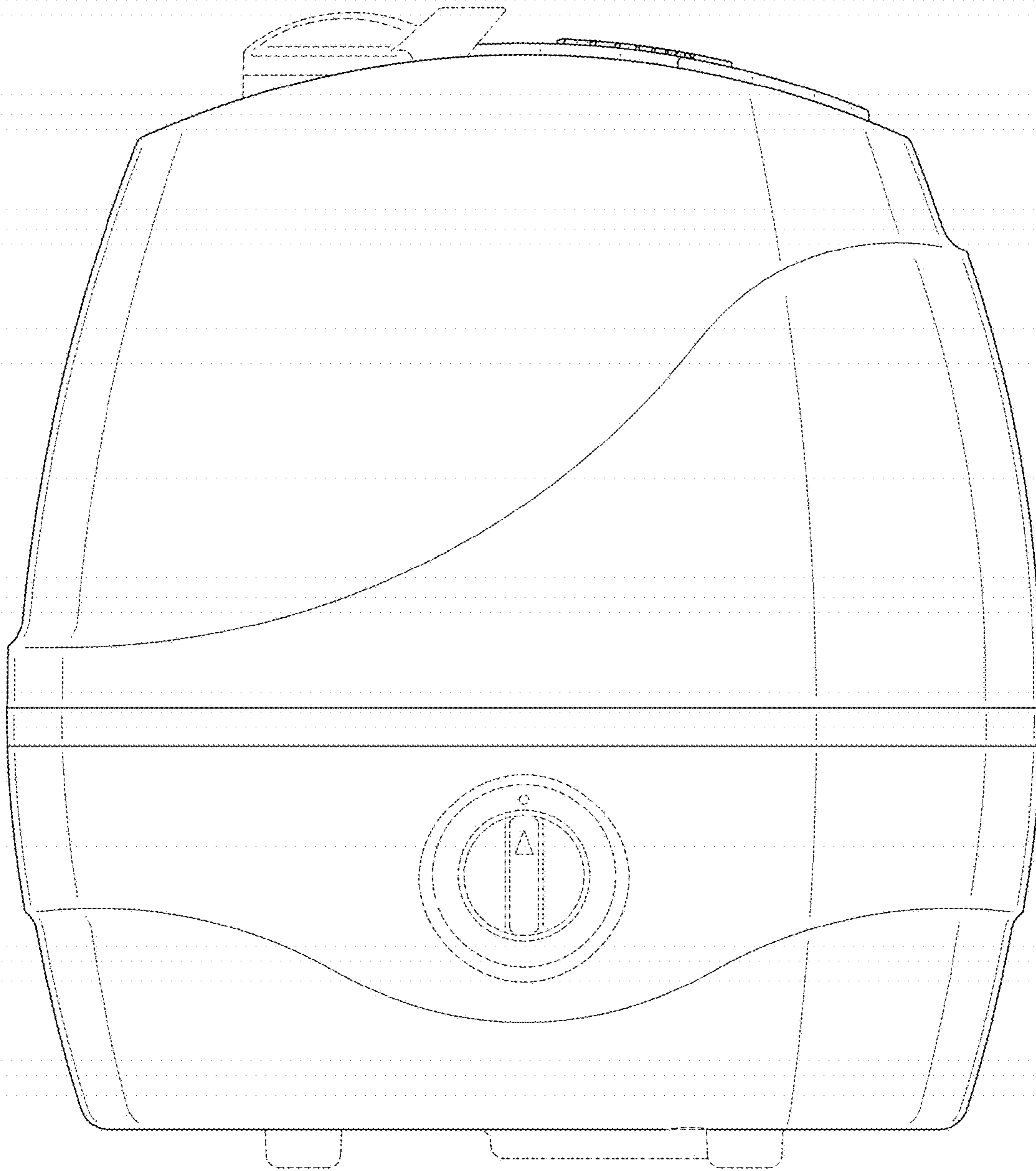


FIG. 6

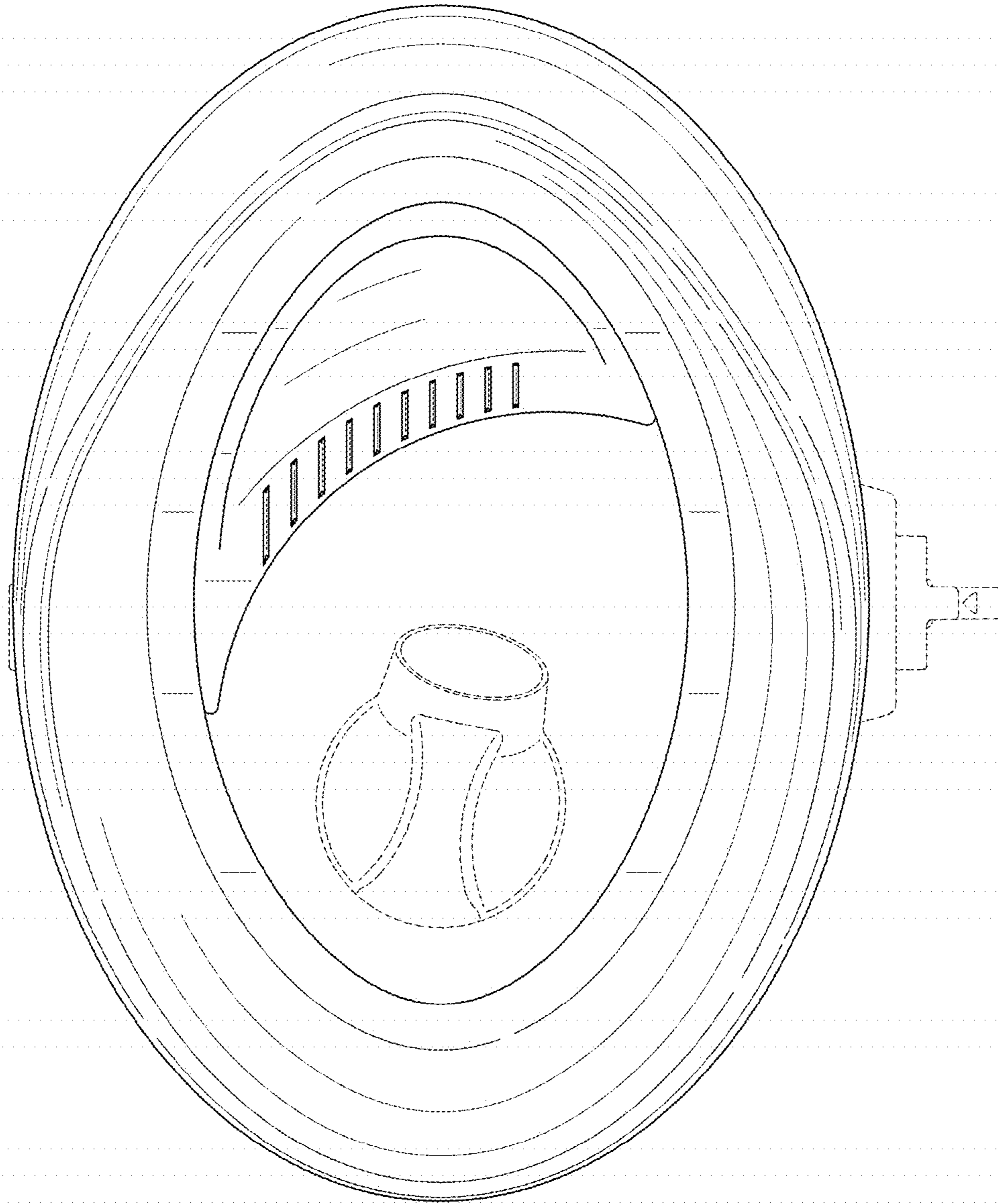


FIG. 7



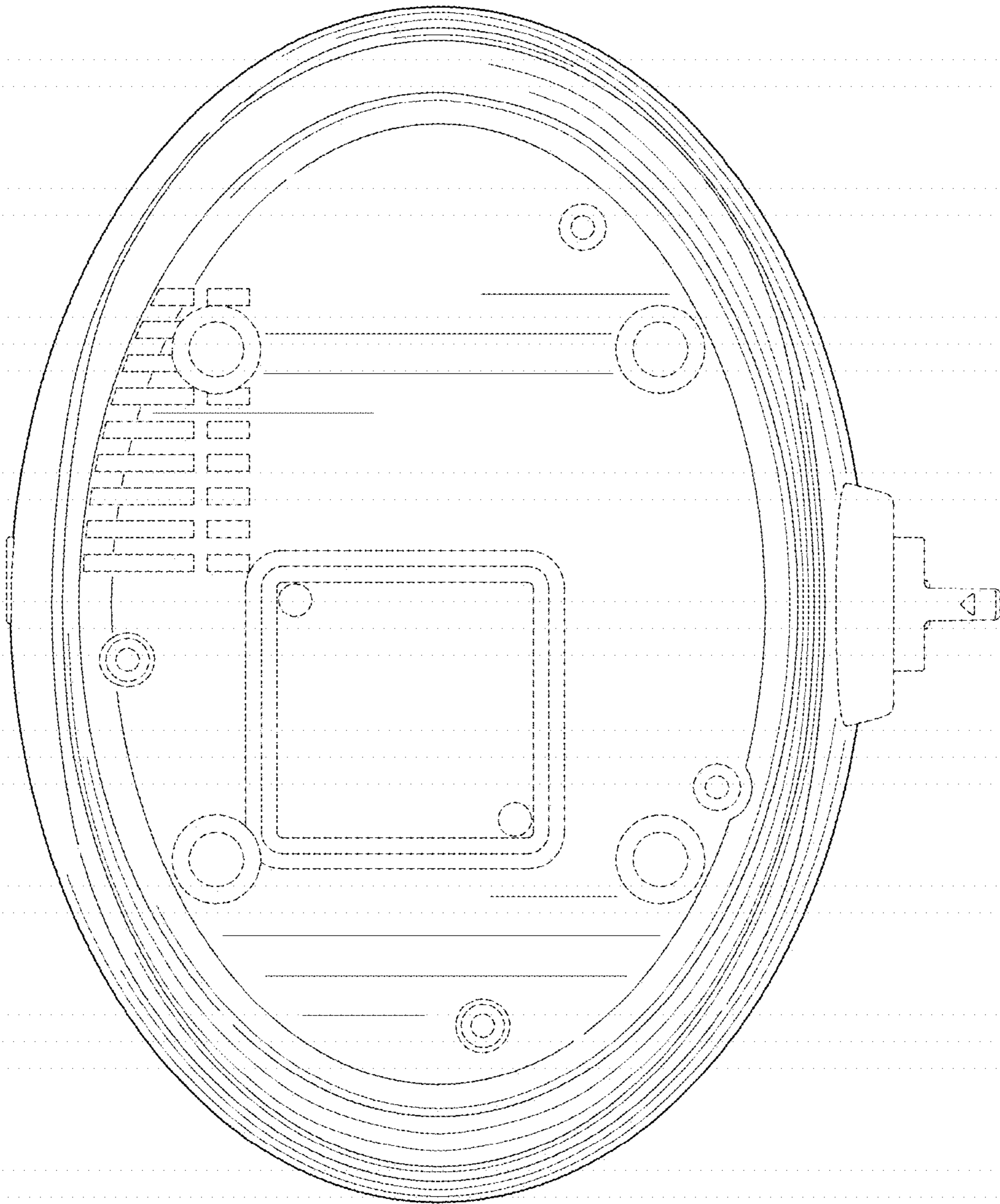


FIG. 8