



US00D857183S

(12) **United States Design Patent** (10) **Patent No.:** **US D857,183 S**
Sakae (45) **Date of Patent:** **** Aug. 20, 2019**

(54) **HEAT EXCHANGER TUBE**
(71) Applicant: **Kobe Steel, Ltd.**, Kobe-shi (JP)
(72) Inventor: **Akira Sakae**, Kobe (JP)
(73) Assignee: **Kobe Steel, Ltd.**, Kobe-shi (JP)
(**) Term: **15 Years**

2009/0195062 A1* 8/2009 Uchida B62D 55/12
305/169
2010/0264799 A1* 10/2010 Liu F21V 29/006
313/46
2013/0048257 A1* 2/2013 Perry F28D 1/04
165/154
2013/0062041 A1 3/2013 Sakae et al.
2013/0292094 A1* 11/2013 Omori F28D 15/025
165/104.21
2014/0034278 A1* 2/2014 Lin B23P 15/26
165/185

(21) Appl. No.: **29/545,723**

(Continued)

(22) Filed: **Nov. 16, 2015**

FOREIGN PATENT DOCUMENTS

(30) **Foreign Application Priority Data**

JP 05-164496 6/1993
JP 2005077035 A * 3/2005 C23C 28/00
WO WO-2017016647 A1 * 2/2017 F16F 9/18

May 21, 2015 (JP) 2015-011156

(51) **LOC (12) Cl.** **23-03**

(52) **U.S. Cl.**
USPC **D23/323**; D23/341

(58) **Field of Classification Search**
USPC D23/314, 318, 322, 323, 332, 341;
D15/4, 6
CPC F28F 1/16; F28F 1/18; F28F 1/12; F28F
1/105; F28F 1/10; F28F 2255/16; F28F
1/20; B23P 15/26; B29C 47/908; F28D
1/00; Y10T 29/4938; Y10T 29/49378;
Y10T 29/49382; Y10T 29/49385
See application file for complete search history.

Primary Examiner — T Chase Nelson

Assistant Examiner — Ania Aman

(74) *Attorney, Agent, or Firm* — Oblon, McClelland,
Maier & Neustadt, L.L.P.

(56) **References Cited**

U.S. PATENT DOCUMENTS

1,821,434 A * 9/1931 Hamilton F02F 1/06
123/41.68
2,826,672 A * 3/1958 Brown, Jr. B21D 53/08
219/81
4,036,286 A * 7/1977 Anderson E02D 3/115
165/45
9,448,012 B2 * 9/2016 Chen F28F 1/40
9,906,001 B2 * 2/2018 Karandikar H02B 1/56
2004/0190245 A1 * 9/2004 Tirumala H01L 23/3672
361/690

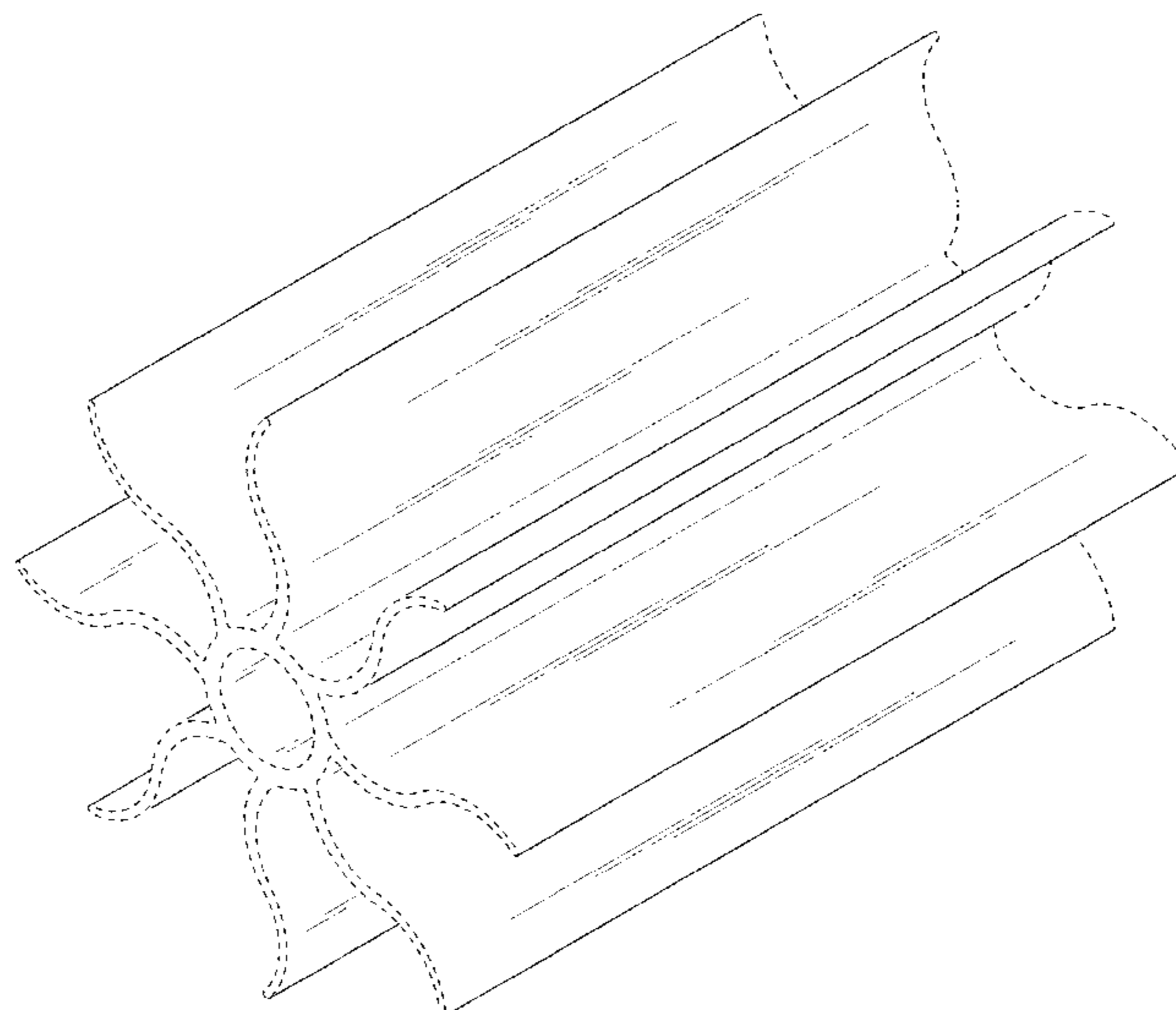
(57) **CLAIM**

The ornamental design for a heat exchanger tube, as shown and described.

DESCRIPTION

FIG. 1 is a perspective view of a heat exchanger tube;
FIG. 2 is a front view thereof;
FIG. 3 is a rear view thereof;
FIG. 4 is a left side view thereof, the opposite side being a mirror image of the side shown herein;
FIG. 5 is a top view thereof, the opposite side being an identical image of the side shown herein; and,
FIG. 6 is a cross-sectional view taken along line 6-6 in Fig. 2 thereof.
In the drawings, the broken lines depict unclaimed portions of the design only and form no part of the claimed design.

1 Claim, 6 Drawing Sheets



(56)

References Cited

U.S. PATENT DOCUMENTS

2015/0360332 A1* 12/2015 Singh F28D 7/10
29/890.046
2016/0010601 A1* 1/2016 Kinsey, Jr. F02M 35/02433
55/484
2017/0001943 A1* 1/2017 Gautam F28F 1/40
2017/0336073 A1* 11/2017 Weir F23J 15/06

* cited by examiner

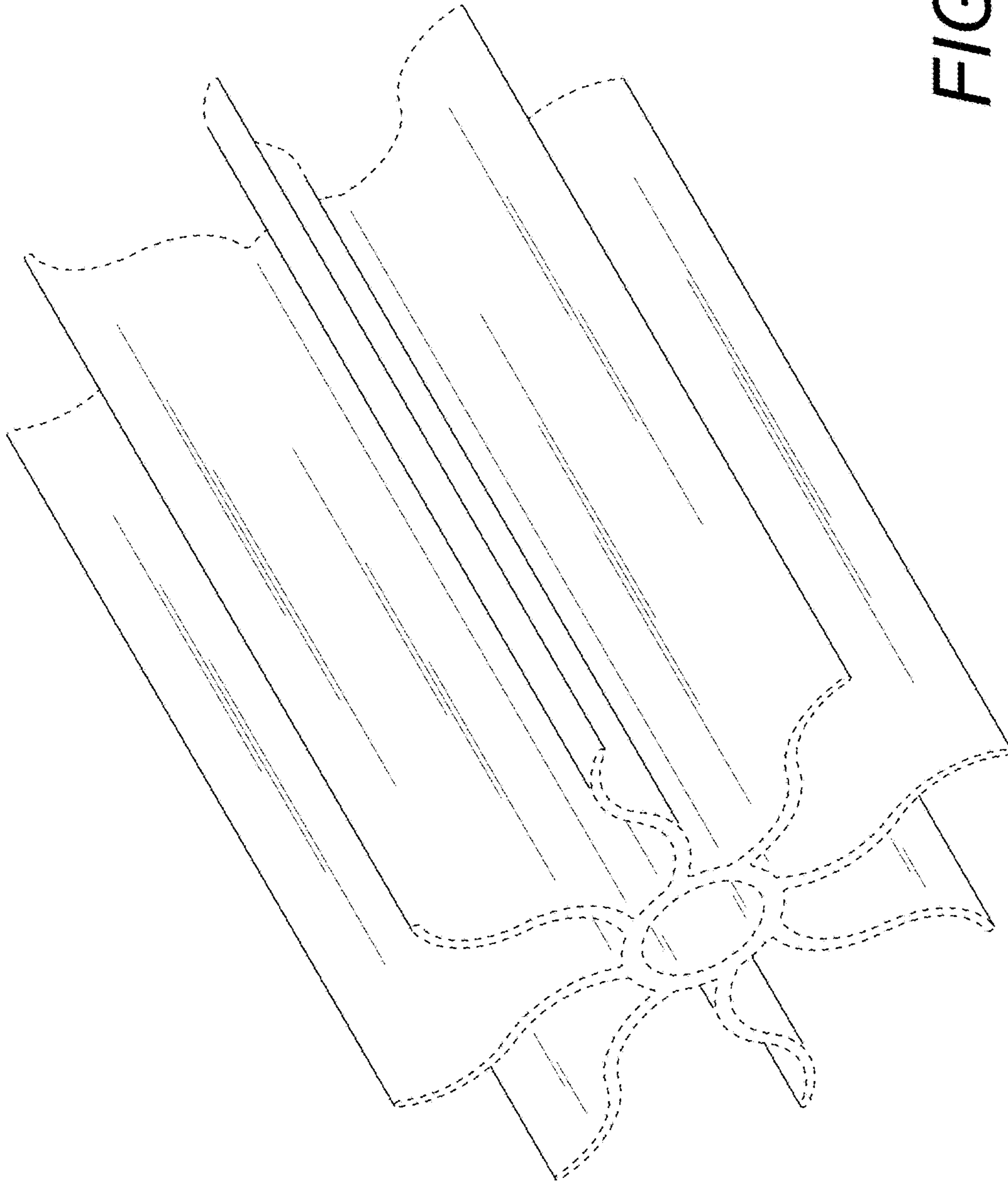


FIG. 1

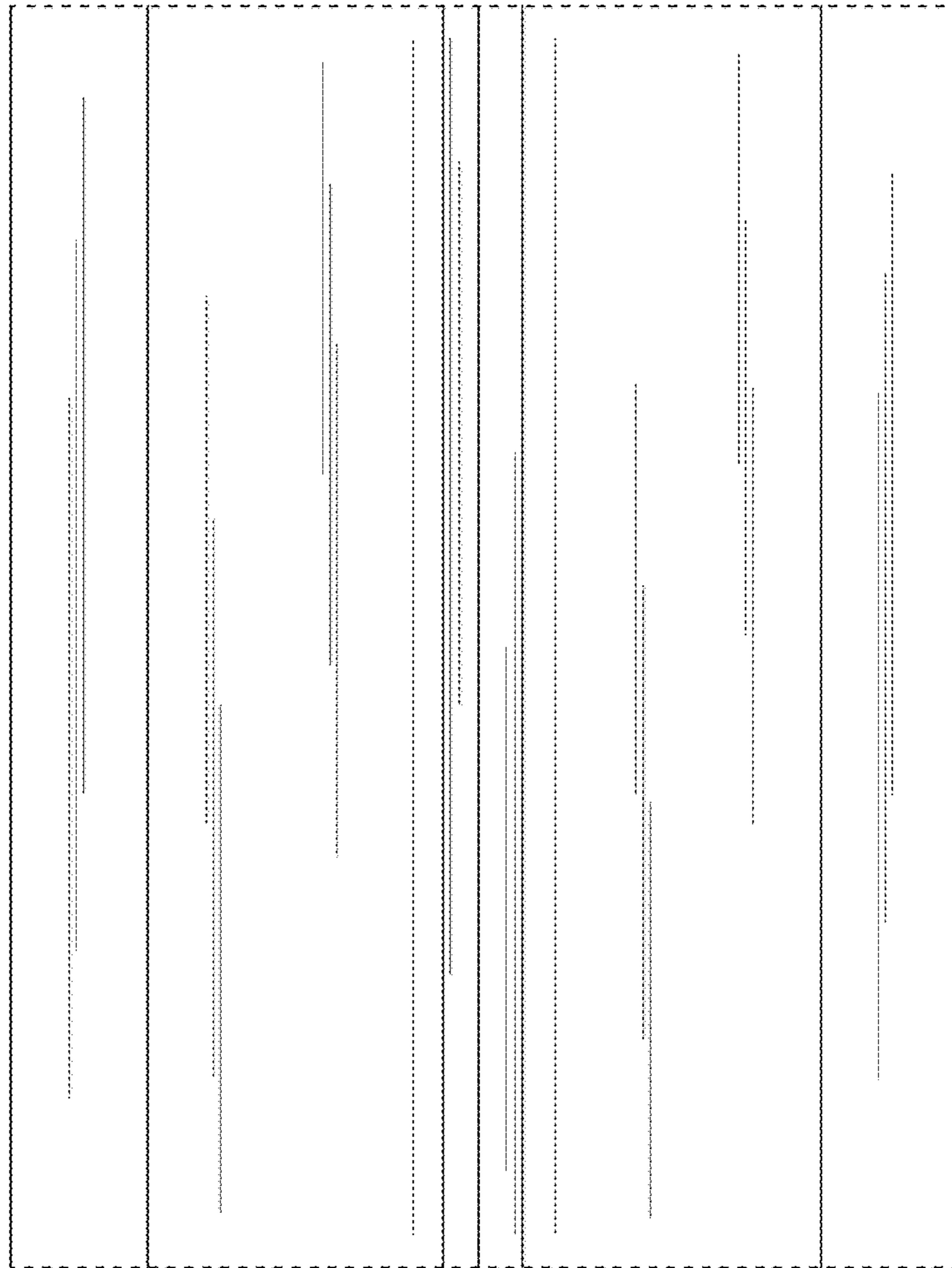


FIG. 3

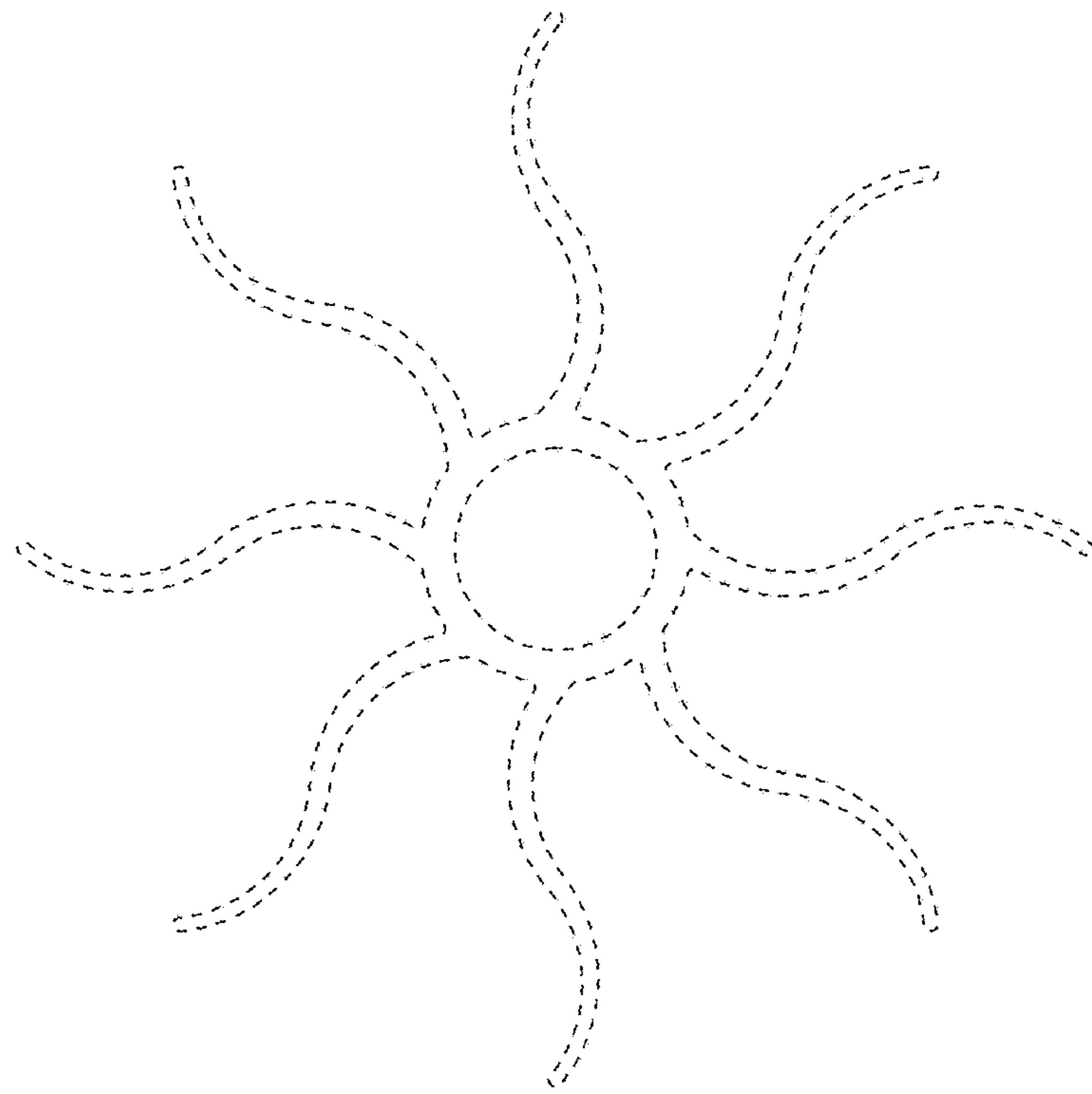


FIG.4

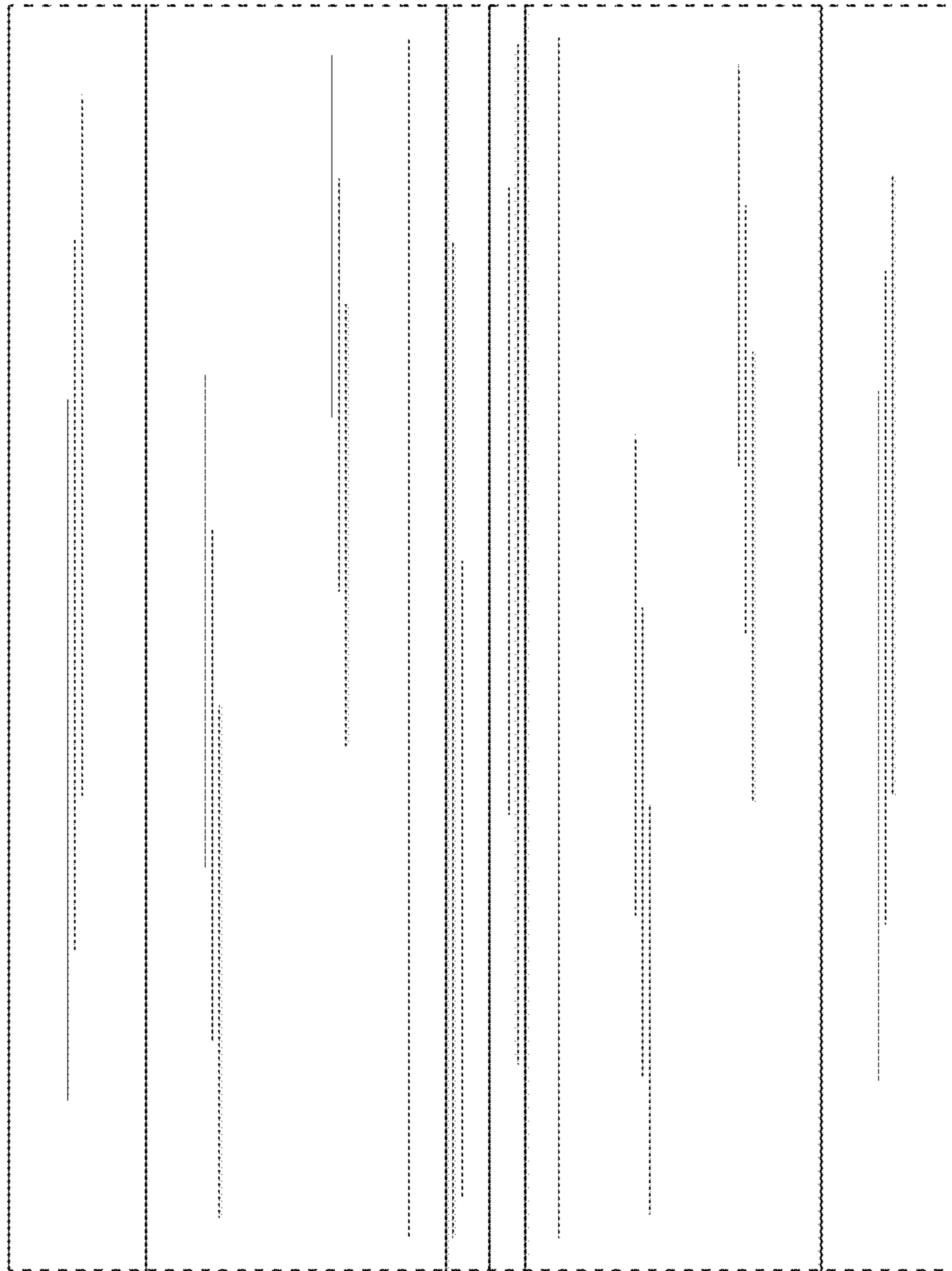


FIG. 5

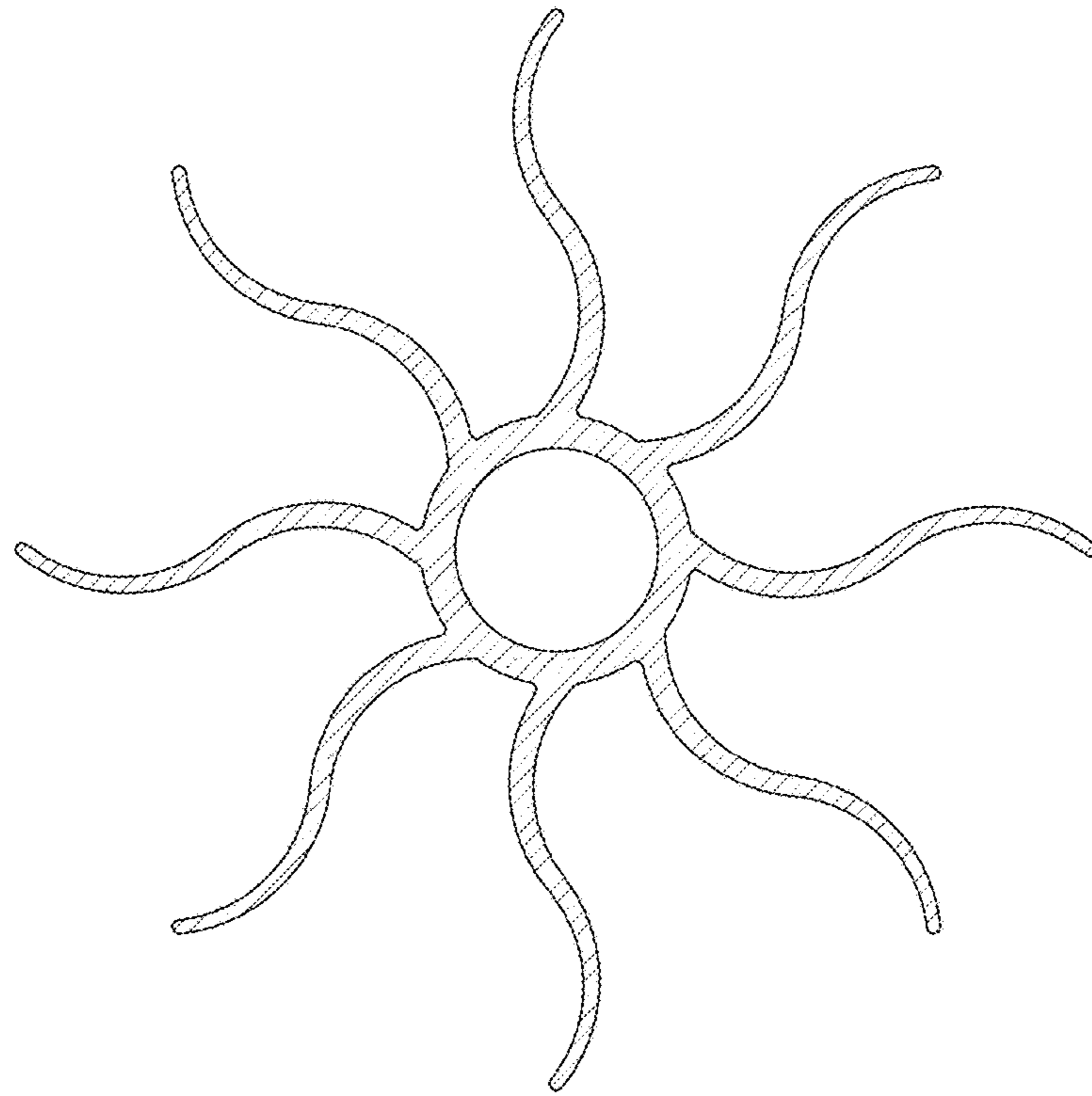


FIG. 6