



US00D857182S

(12) **United States Design Patent** (10) **Patent No.:** **US D857,182 S**
Lilly et al. (45) **Date of Patent:** **** Aug. 20, 2019**

(54) **SINK**
(71) Applicant: **Kohler Co.**, Kohler, WI (US)
(72) Inventors: **Thomas Lilly**, Kohler, WI (US);
Matthew Ryan Wegner, Sheboygan,
WI (US)
(73) Assignee: **KOHLER CO.**, Kohler, WI (US)
(**) Term: **15 Years**
(21) Appl. No.: **29/669,486**
(22) Filed: **Nov. 8, 2018**

D523,540 S 6/2006 Gordon
D601,675 S 10/2009 Booth
D663,808 S 7/2012 Eilmus
D669,564 S 10/2012 Eilmus
D672,621 S 12/2012 Eilmus et al.
2003/0204905 A1 11/2003 Ziemann

Primary Examiner — Robert A Delehanty
(74) *Attorney, Agent, or Firm* — Foley & Lardner LLP

(57) **CLAIM**

We claim the ornamental design for a sink, as shown and described.

DESCRIPTION

FIG. 1 is a perspective view of an embodiment of the claimed design;
FIG. 2 is a top view of the claimed design of FIG. 1;
FIG. 3 is a bottom view of the claimed design of FIG. 1;
FIG. 4 is a cross-sectional view of the claimed design of FIG. 1 taken along line 4-4 of FIG. 2;
FIG. 5 is a cross-sectional view of the claimed design of FIG. 1 taken along line 5-5 of FIG. 2;
FIG. 6 is a cross-sectional view of the claimed design of FIG. 1 taken along line 6-6 of FIG. 2; and,
FIG. 7 is a cross-sectional view of the claimed design of FIG. 1 taken along line 7-7 of FIG. 2.
The ornamental design that is claimed is shown in the drawings as solid lines and surfaces having surface shading. The broken lines in the drawings are for illustrative purposes only and form no part of the claimed design. For example, broken lines formed by equal length dashes show unclaimed portions of the design. Broken lines formed of unequal length dashes (i.e., dash-dot) show boundaries between either claimed and unclaimed portions of the design or between unclaimed and unclaimed portions of the design.

Related U.S. Application Data

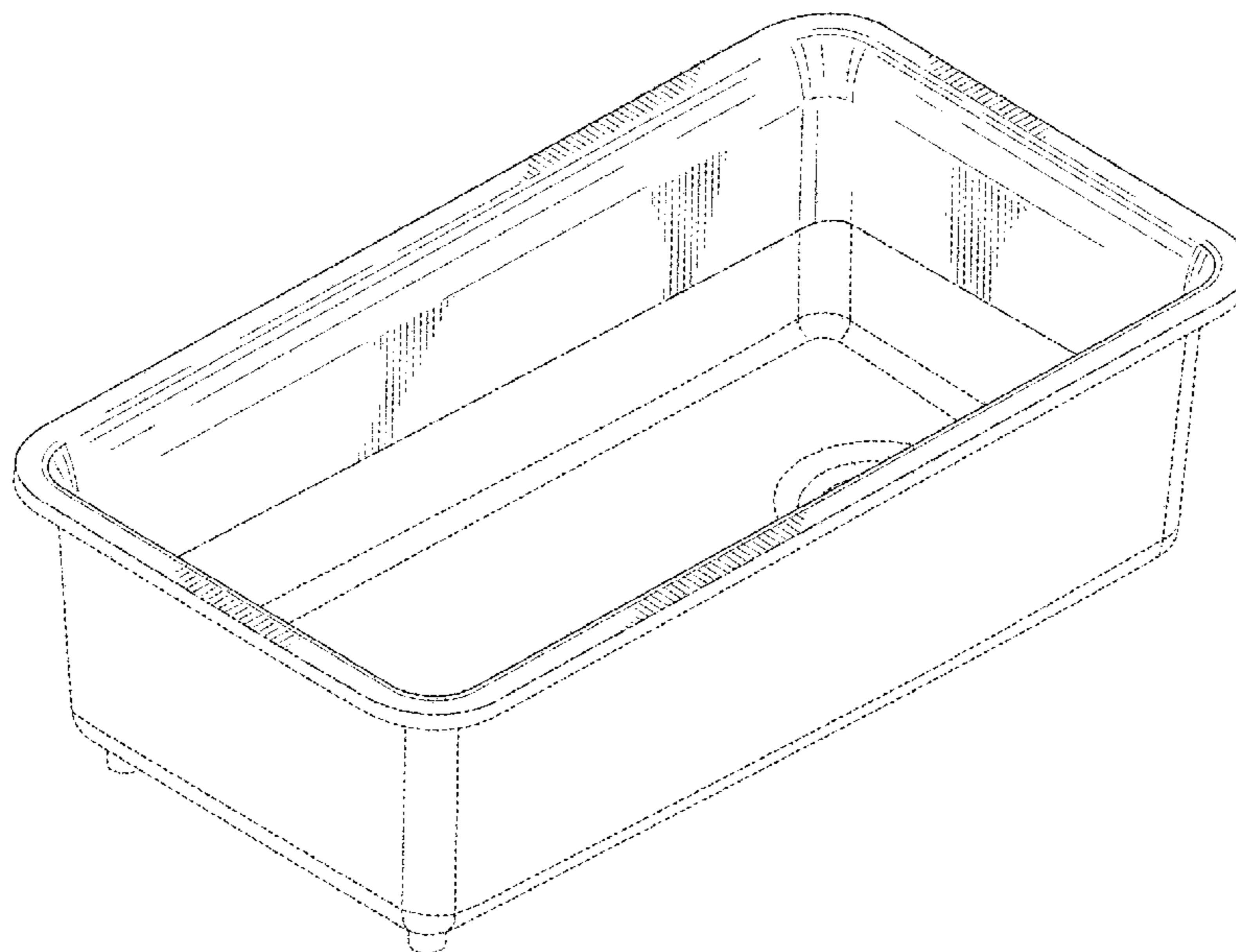
(62) Division of application No. 29/578,775, filed on Sep. 23, 2016, now Pat. No. Des. 838,352, which is a division of application No. 29/514,952, filed on Jan. 19, 2015, now Pat. No. Des. 769,423.
(51) **LOC (12) Cl.** **23-02**
(52) **U.S. Cl.**
USPC **D23/308**
(58) **Field of Classification Search**
USPC D23/284, 287-288, 290-293.1, 303, 308
CPC E03C 1/00; E03C 1/01; E03C 1/02; E03C 1/12; E03C 1/18
See application file for complete search history.

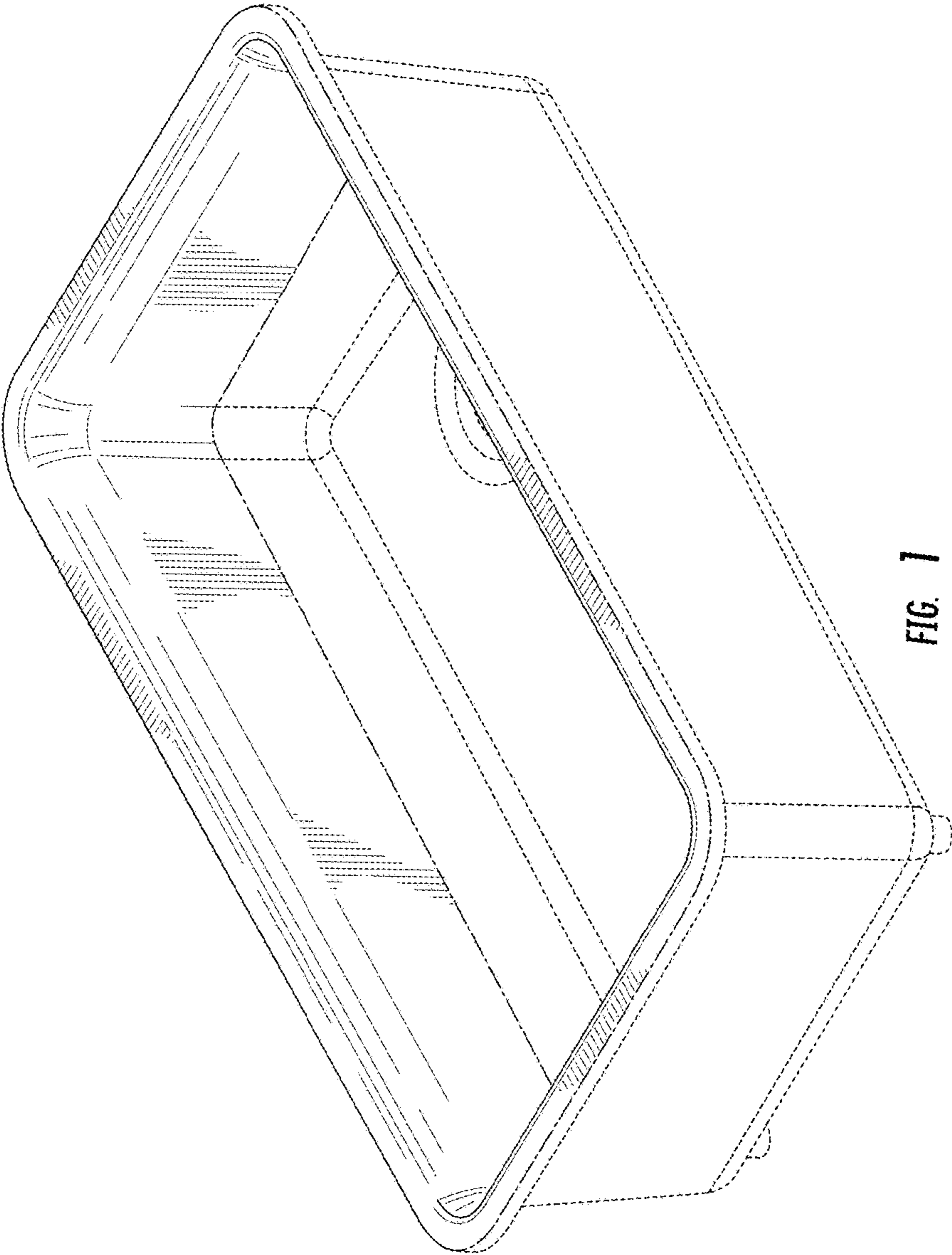
(56) **References Cited**

U.S. PATENT DOCUMENTS

D328,339 S 7/1992 Sauter et al.
D344,576 S 2/1994 Stairs, Jr.
D508,984 S 8/2005 Gordon
D510,418 S 10/2005 Painter

1 Claim, 6 Drawing Sheets





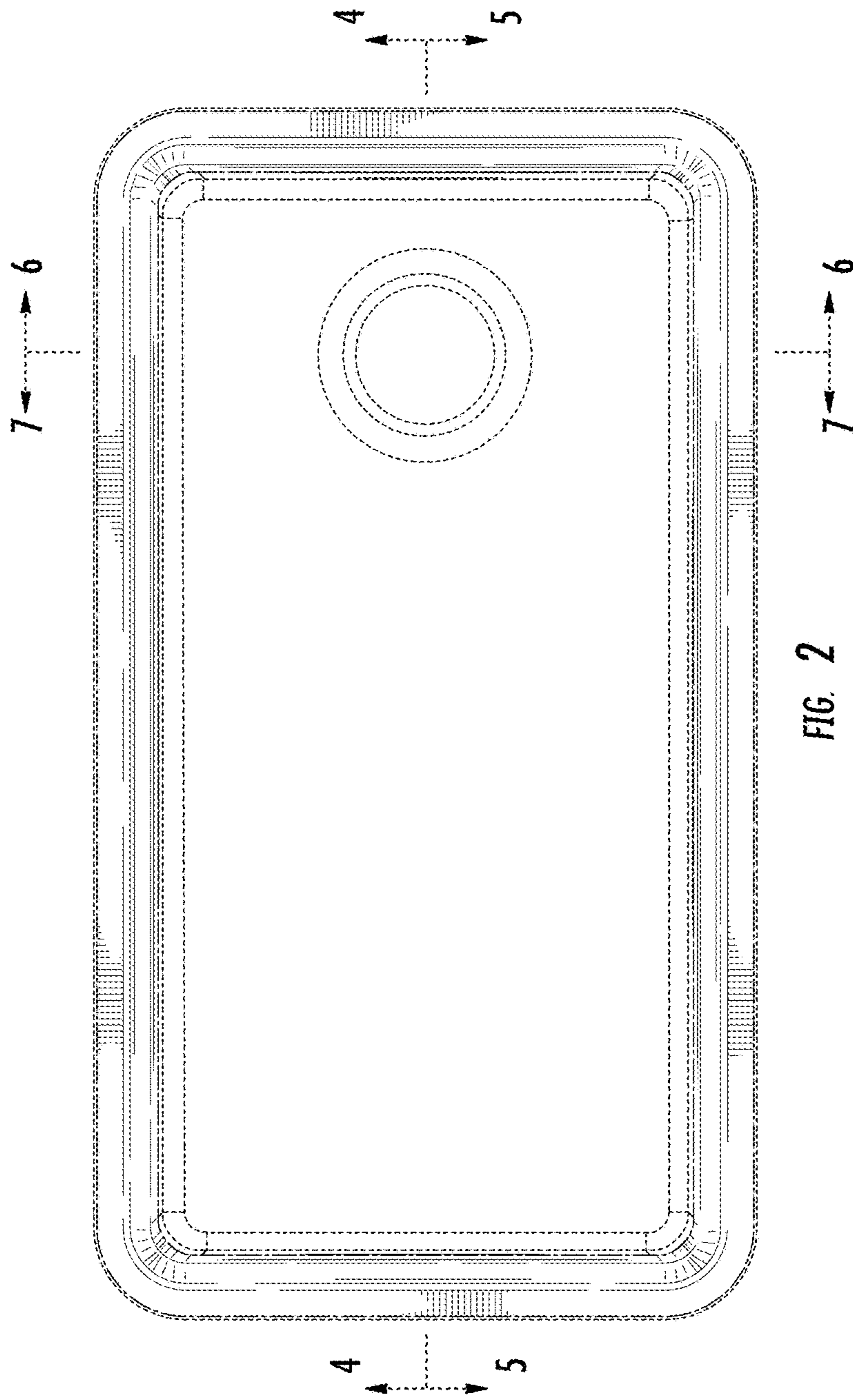


FIG. 2

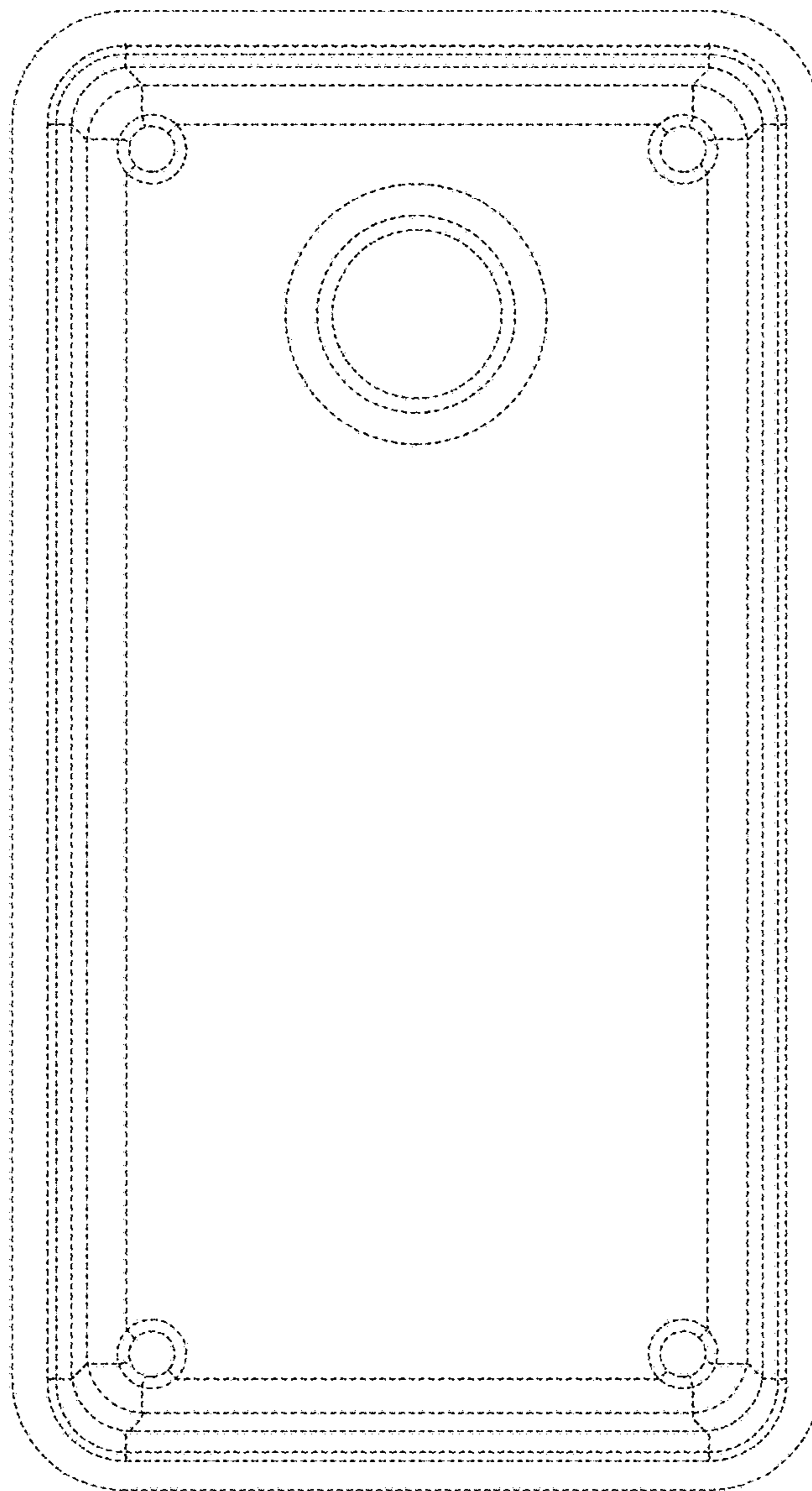


FIG. 3

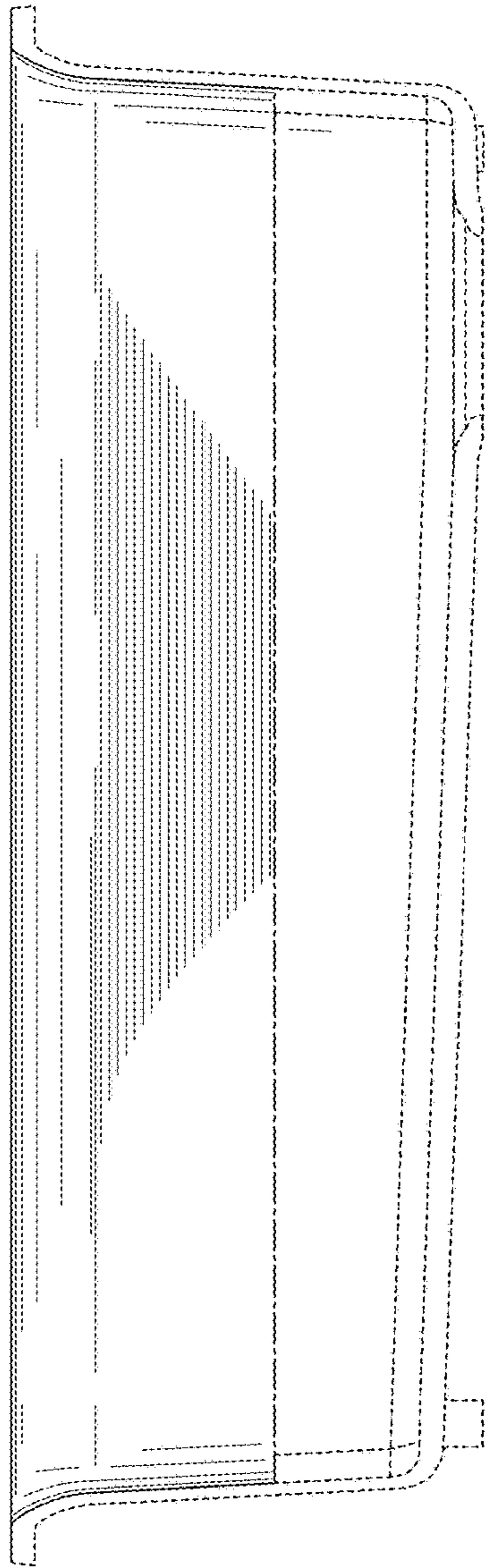


FIG. 4

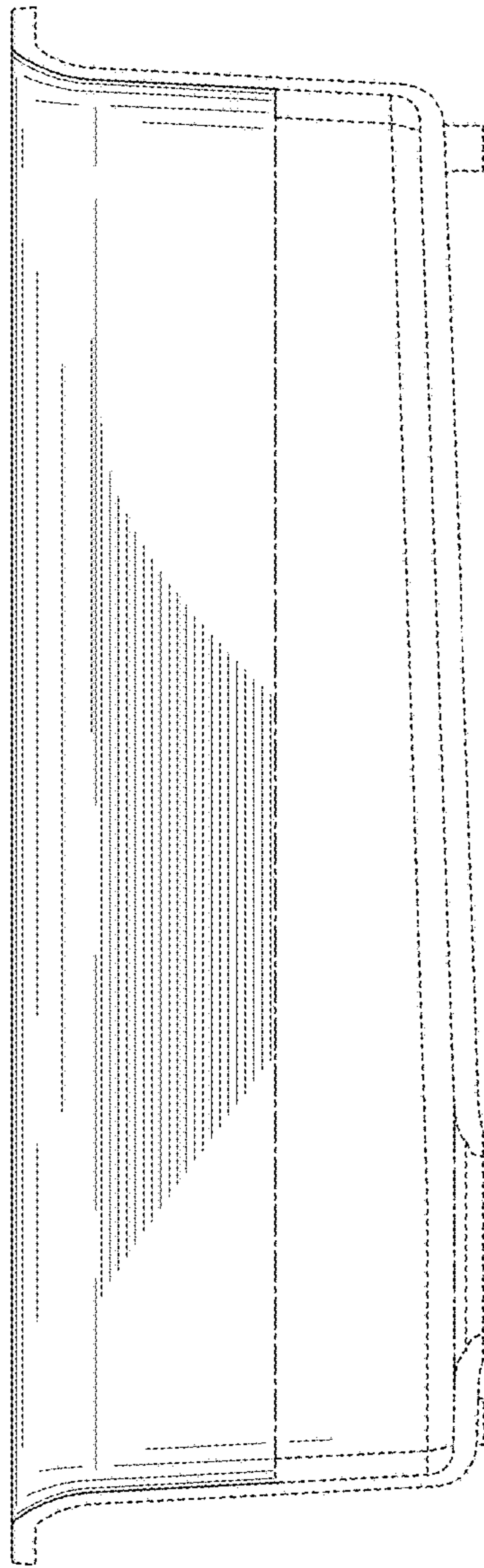


FIG. 5

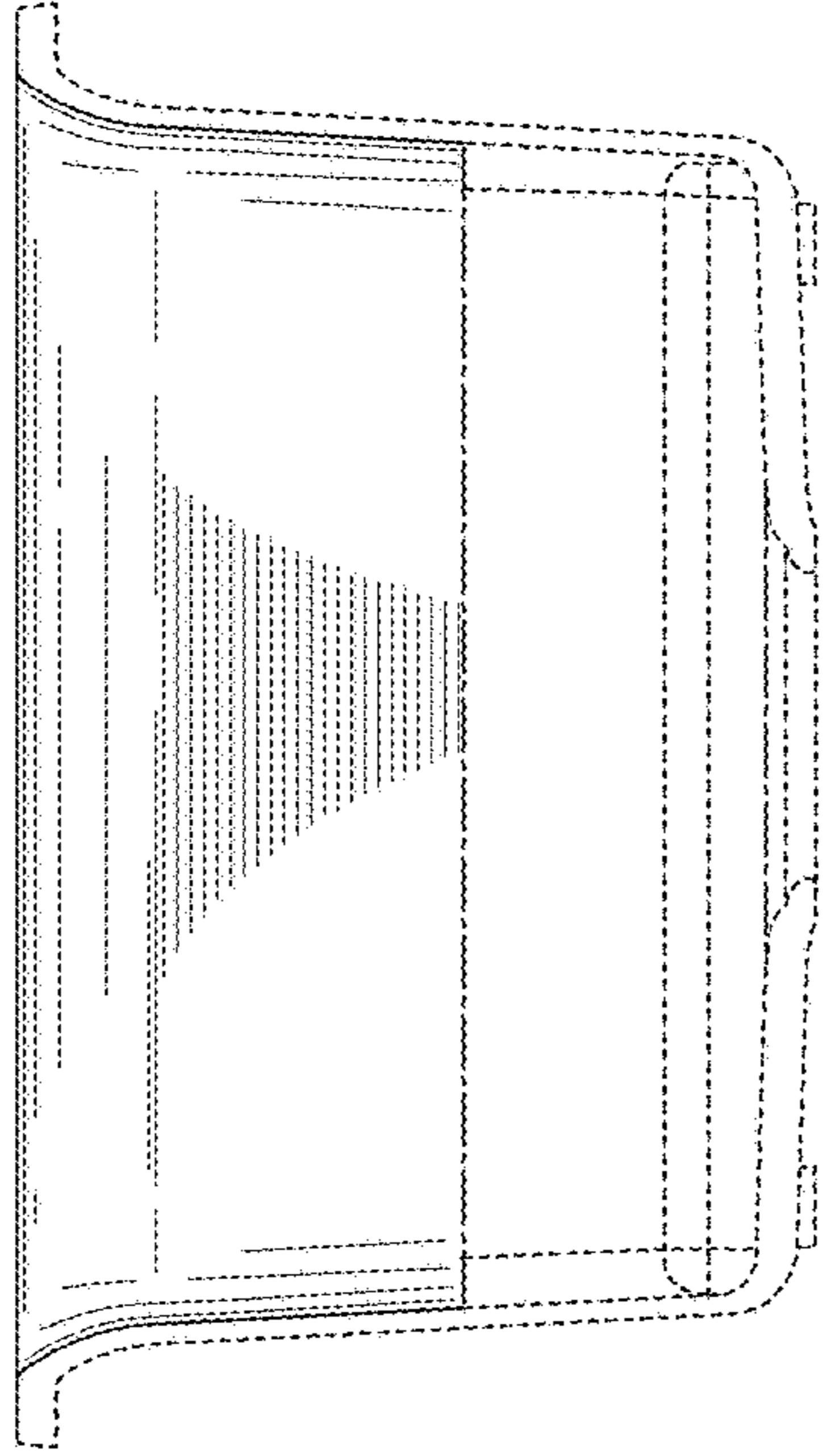


FIG. 7

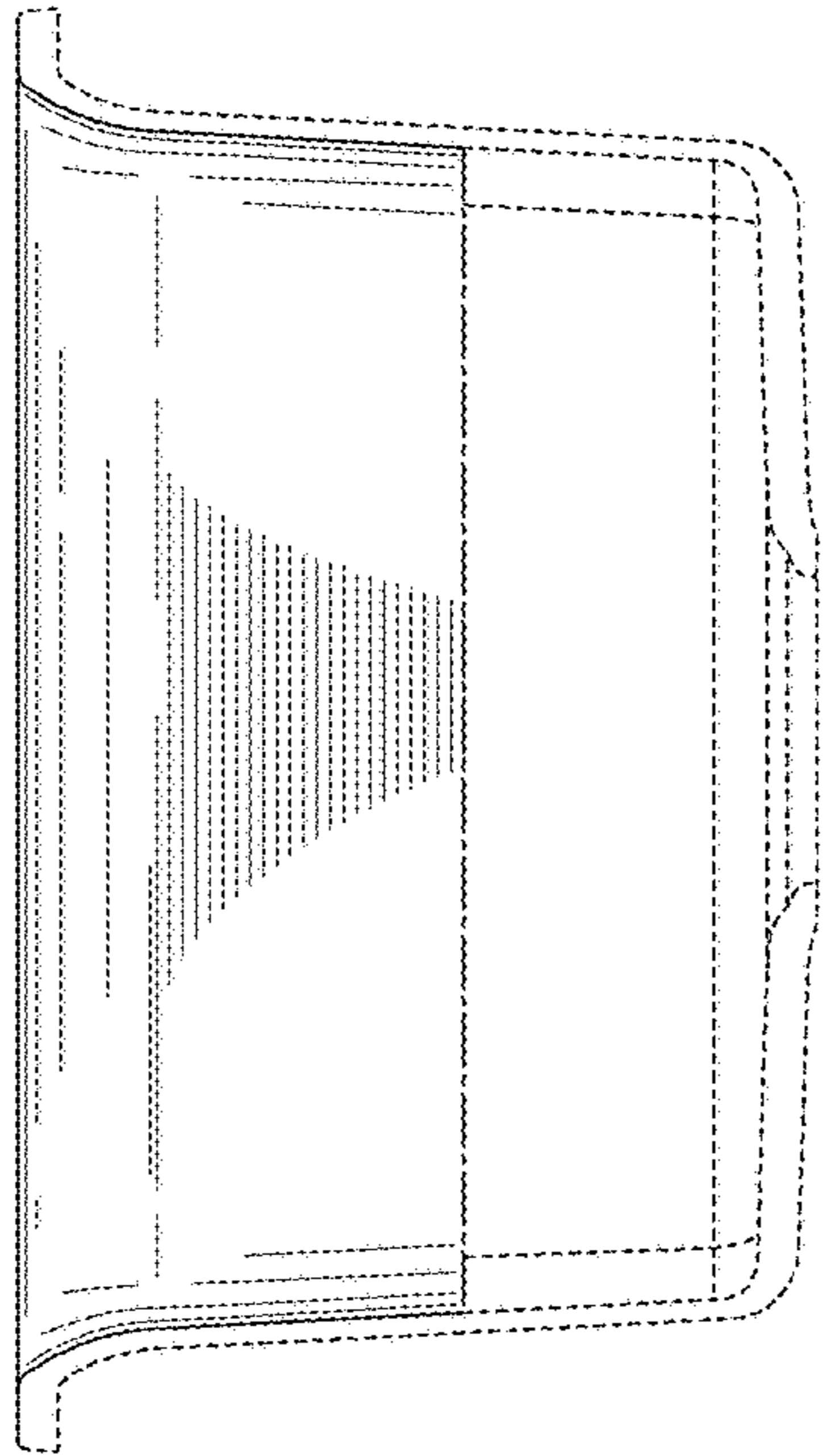


FIG. 6