



US00D857178S

(12) **United States Design Patent**
Dagdelen

(10) **Patent No.:** **US D857,178 S**

(45) **Date of Patent:** **** Aug. 20, 2019**

(54) **PIPE JOINT CONNECTION**

(71) Applicant: **POELSAN PLASTIK SANAYI VE TICARET ANONIM SIRKETI, Samsun (TR)**

(72) Inventor: **Yasar Dagdelen, Samsun (TR)**

(73) Assignee: **POELSAN PLASTIK SANAYI VE TICARET ANONIM SIRKETI, Samsun (TR)**

(**) Term: **15 Years**

(21) Appl. No.: **29/617,790**

(22) Filed: **Sep. 15, 2017**

D517,666 S *	3/2006	Wilk, Jr.	D23/262
D523,123 S *	6/2006	Wilk, Jr.	D23/262
7,063,356 B2 *	6/2006	Barker	F16L 37/62
			285/105
D676,941 S *	2/2013	Kluss	D23/262
8,608,205 B2 *	12/2013	Lai	B25B 27/10
			285/307
8,801,048 B2 *	8/2014	Morris	F16L 37/091
			285/340
D729,909 S *	5/2015	Castrigno	D23/263
D731,627 S *	6/2015	Guest	D23/262
D739,508 S *	9/2015	Menno	D23/263
D741,457 S *	10/2015	Guest	D23/262
D741,458 S *	10/2015	Guest	D23/262
D741,459 S *	10/2015	Guest	D23/262
D743,511 S *	11/2015	Bednarz	D23/263
9,182,061 B2 *	11/2015	Hamaguchi	F16L 25/0045
D745,116 S *	12/2015	Lehmann	D23/262
D746,418 S *	12/2015	Castrigno	D23/262

(Continued)

Related U.S. Application Data

(62) Division of application No. 35/501,033, filed on Jan. 25, 2016 (U.S. filing date under 35 U.S.C. 384), and having an international filing date of Jan. 25, 2016, now Pat. No. Des. 816,811.

(51) **LOC (12) Cl.** **23-01**

(52) **U.S. Cl.**
USPC **D23/259**

(58) **Field of Classification Search**
USPC D23/259, 262-263, 266
CPC F16L 9/02; F16L 9/14
See application file for complete search history.

(56) **References Cited**

U.S. PATENT DOCUMENTS

6,062,611 A *	5/2000	Percebois	F16L 37/092
			285/232
6,237,964 B1 *	5/2001	.O slashed.stergaard	
			E21B 33/035
			285/310
6,390,446 B1 *	5/2002	Wang	B01D 35/02
			210/429

Primary Examiner — Michael A. Pratt

(74) *Attorney, Agent, or Firm* — Crose Law LLC;
Bradley D. Crose

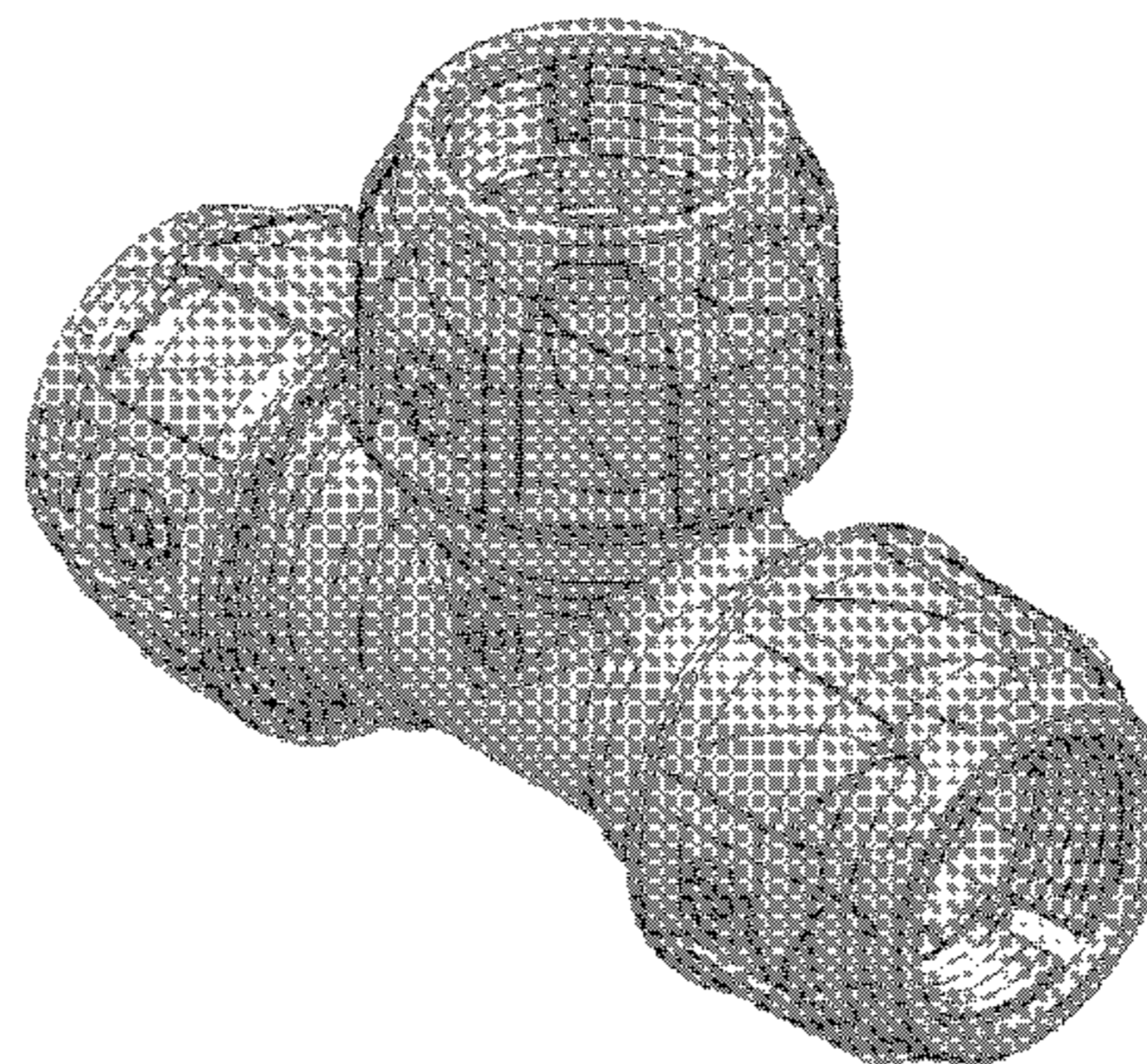
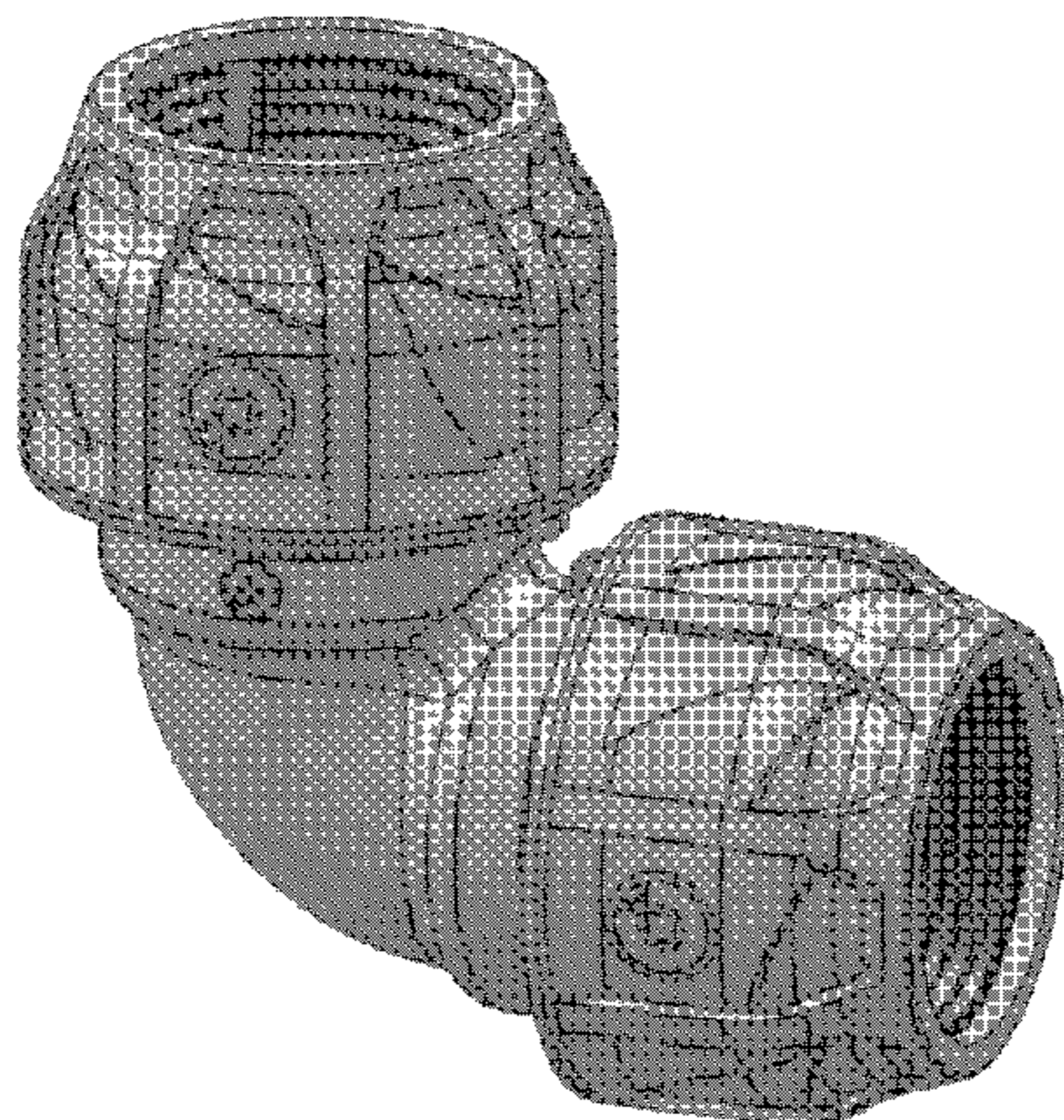
(57) **CLAIM**

The ornamental design for a pipe joint connection, as shown and described.

DESCRIPTION

FIG. 1 is a back view of a pipe joint connection, elbow, showing my new design;
FIG. 2 is a perspective view thereof;
FIG. 3 is an left side plan view thereof;
FIG. 4 is a bottom plan view thereof;
FIG. 5 is a top plan view thereof;
FIG. 6 is a bottom view of a pipe joint connection, pipe tee, showing my new design;
FIG. 7 is a front view thereof;
FIG. 8 is a perspective view thereof;
FIG. 9 is a left view thereof; and,
FIG. 10 is a top view thereof.

1 Claim, 10 Drawing Sheets



(56)

References Cited

U.S. PATENT DOCUMENTS

D746,950	S *	1/2016	Castrigno	D23/259
D746,951	S *	1/2016	Gledhill	D23/259
D746,952	S *	1/2016	Gledhill	D23/259
D746,954	S *	1/2016	Gledhill	D23/259
D746,958	S *	1/2016	Gledhill	D23/262
D748,762	S *	2/2016	Naslund	D23/262
9,310,000	B2 *	4/2016	Liang	F16L 11/20
9,316,336	B2 *	4/2016	Genoni	F16L 47/03
D771,779	S *	11/2016	Scifres	D23/263
D771,780	S *	11/2016	Scifres	D23/266
D779,315	S *	2/2017	Hinkle	D23/262
9,568,127	B2 *	2/2017	Morris	F16L 37/091

* cited by examiner

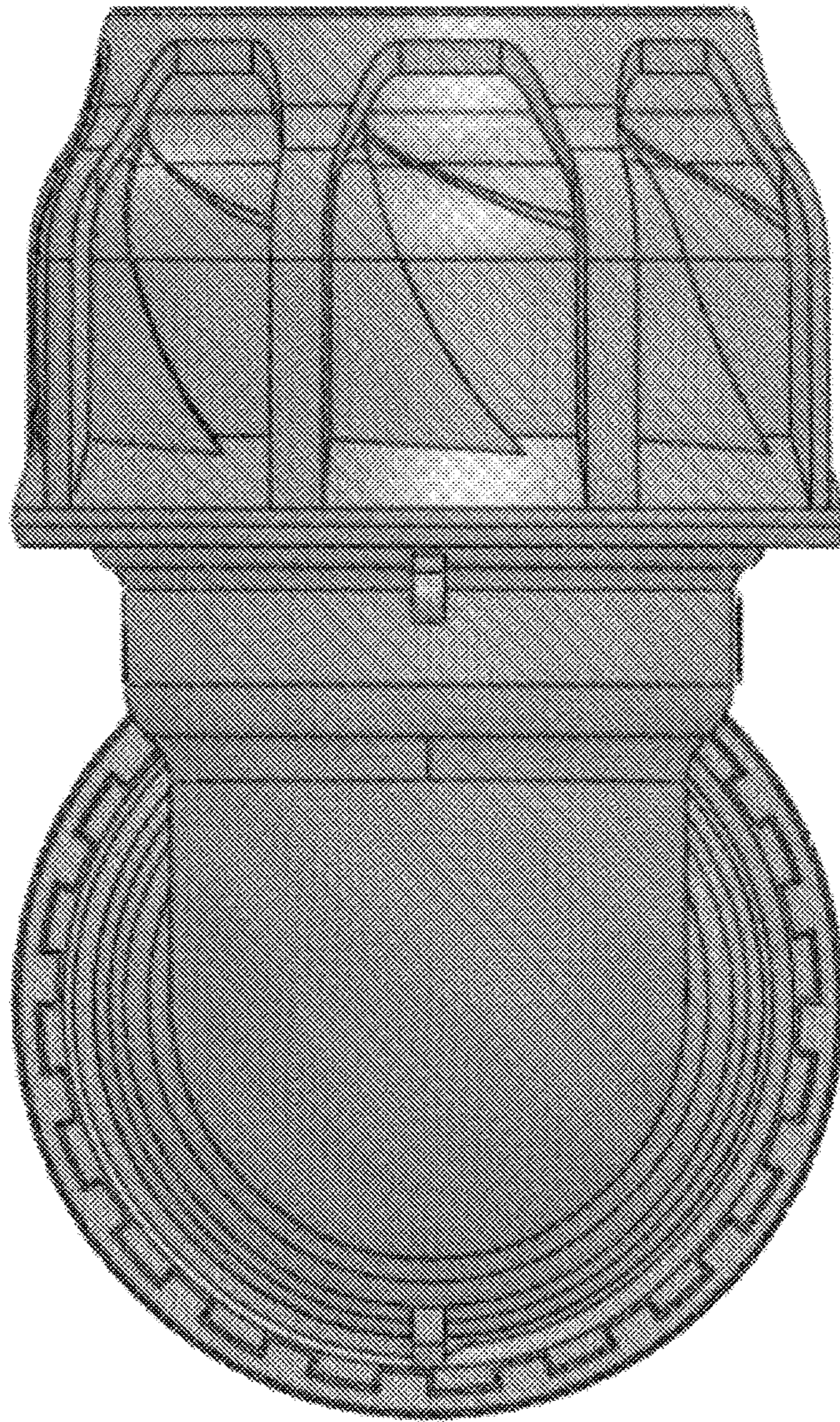


FIG. 1

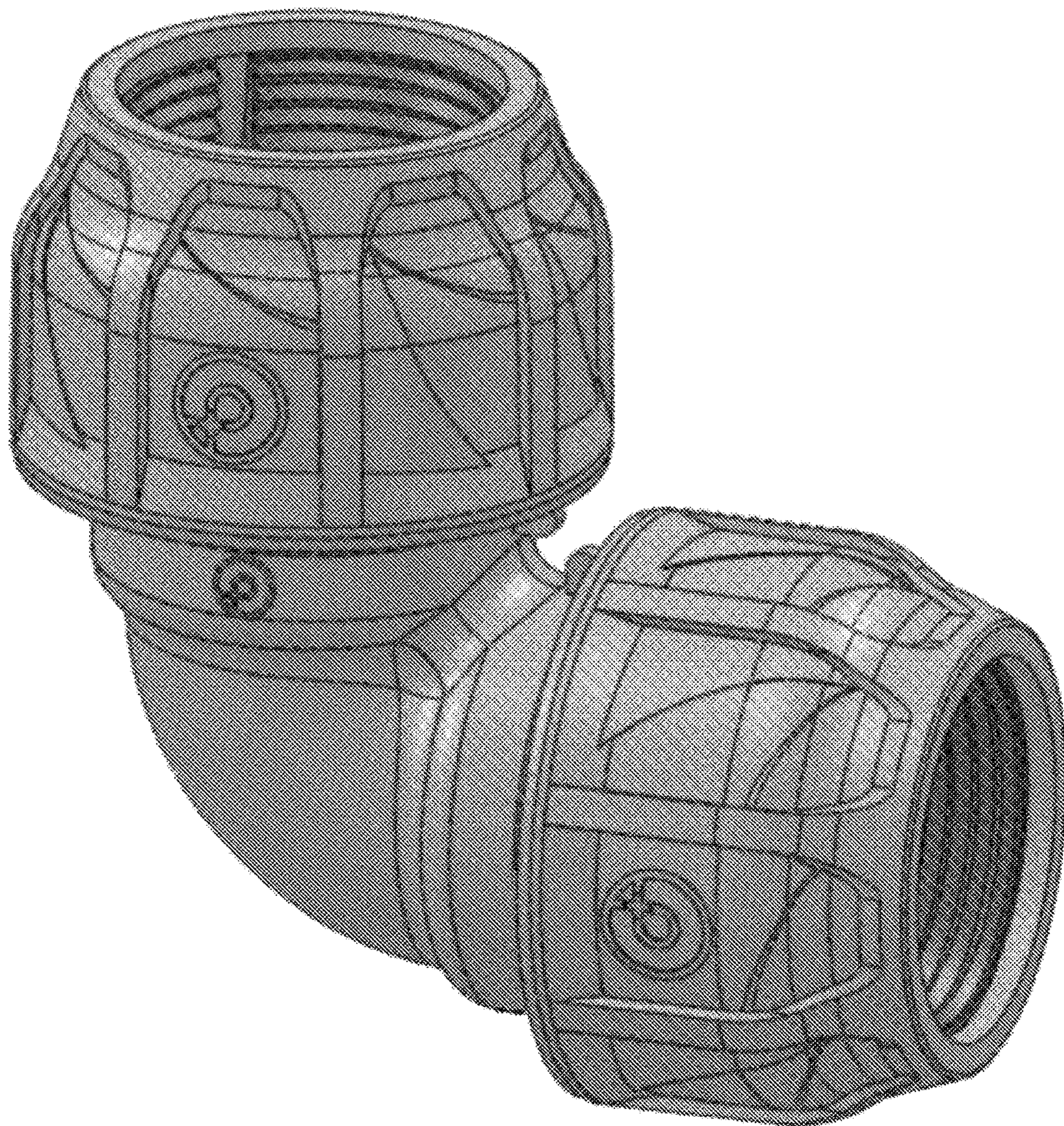


FIG. 2

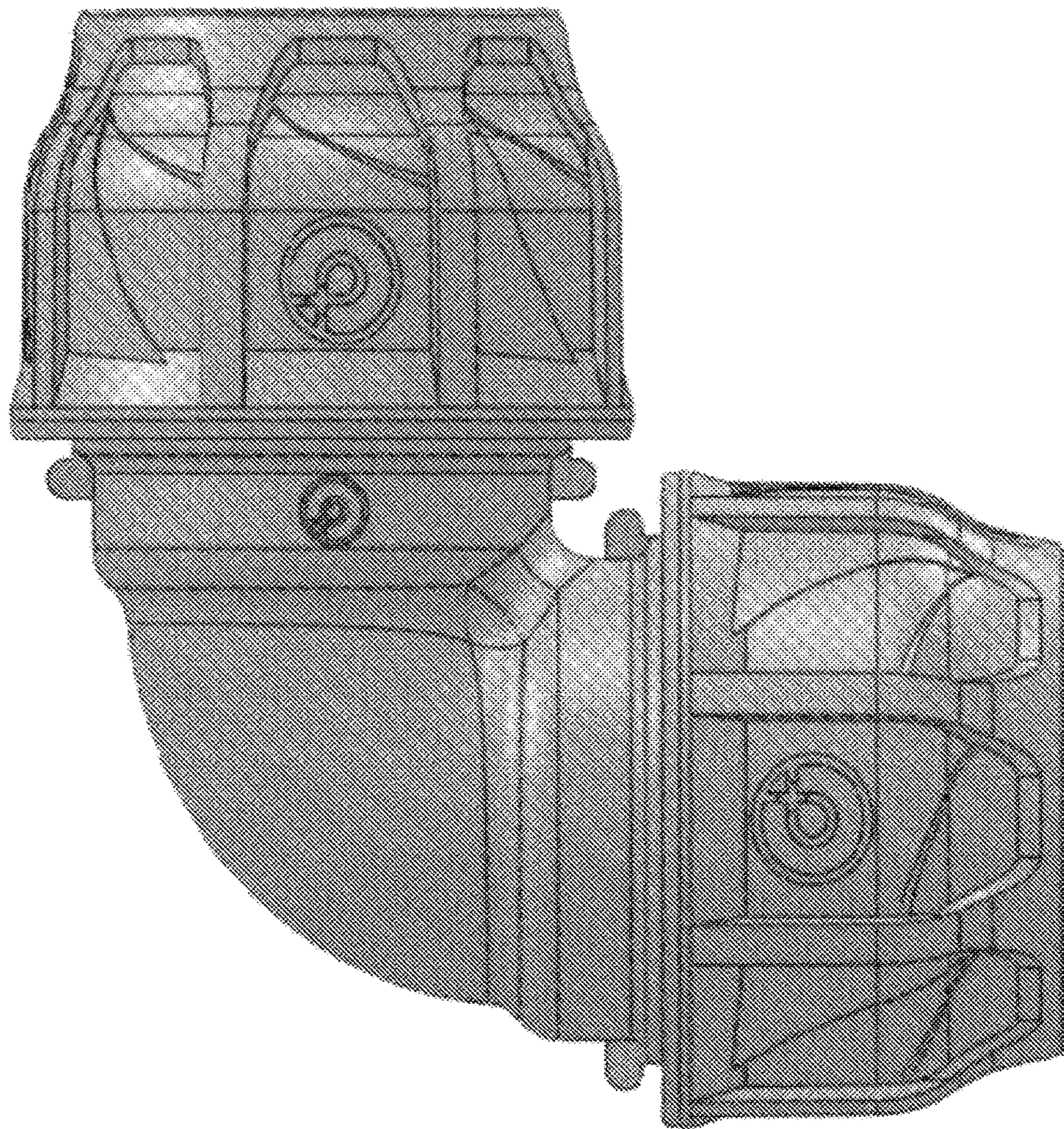


FIG. 3

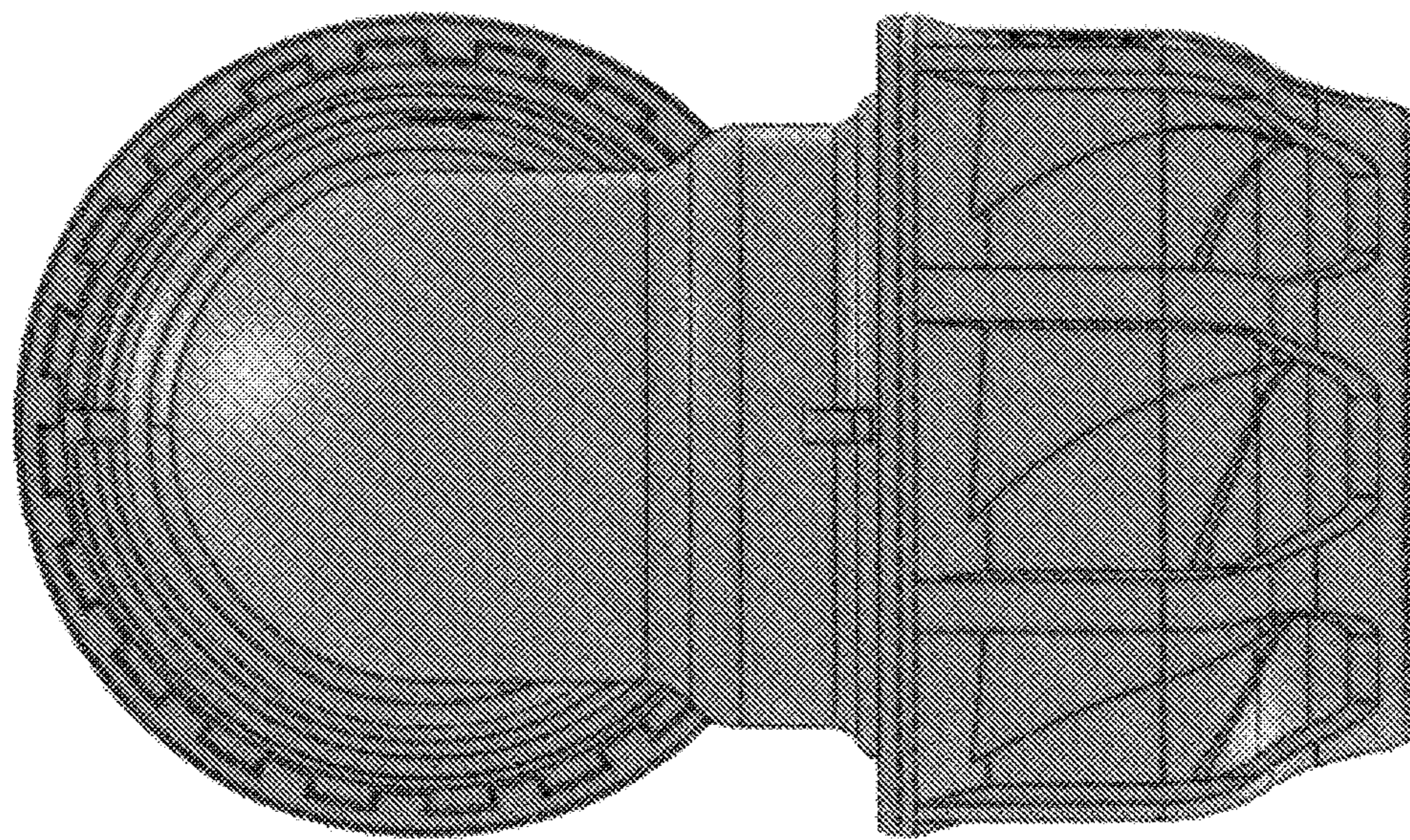


FIG. 4

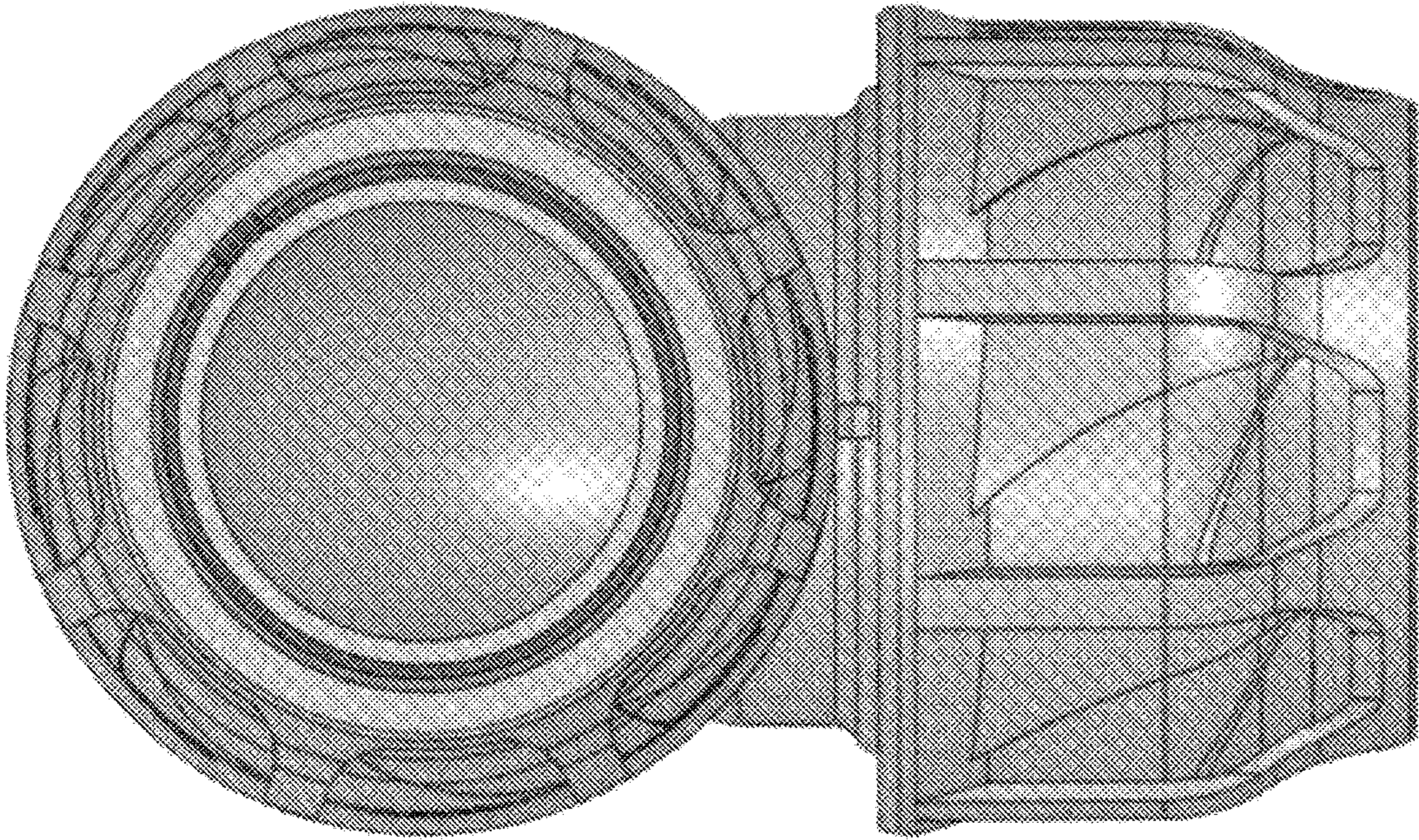


FIG. 5

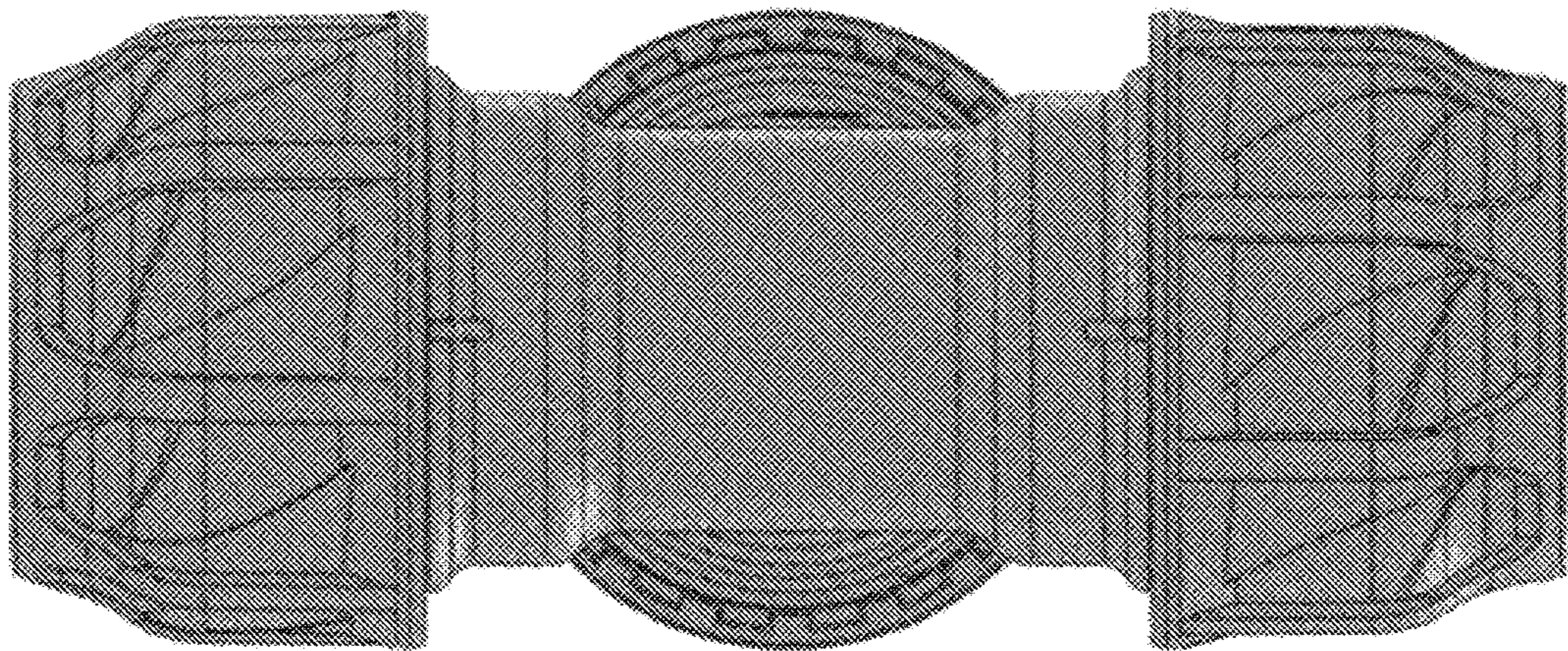


FIG. 6

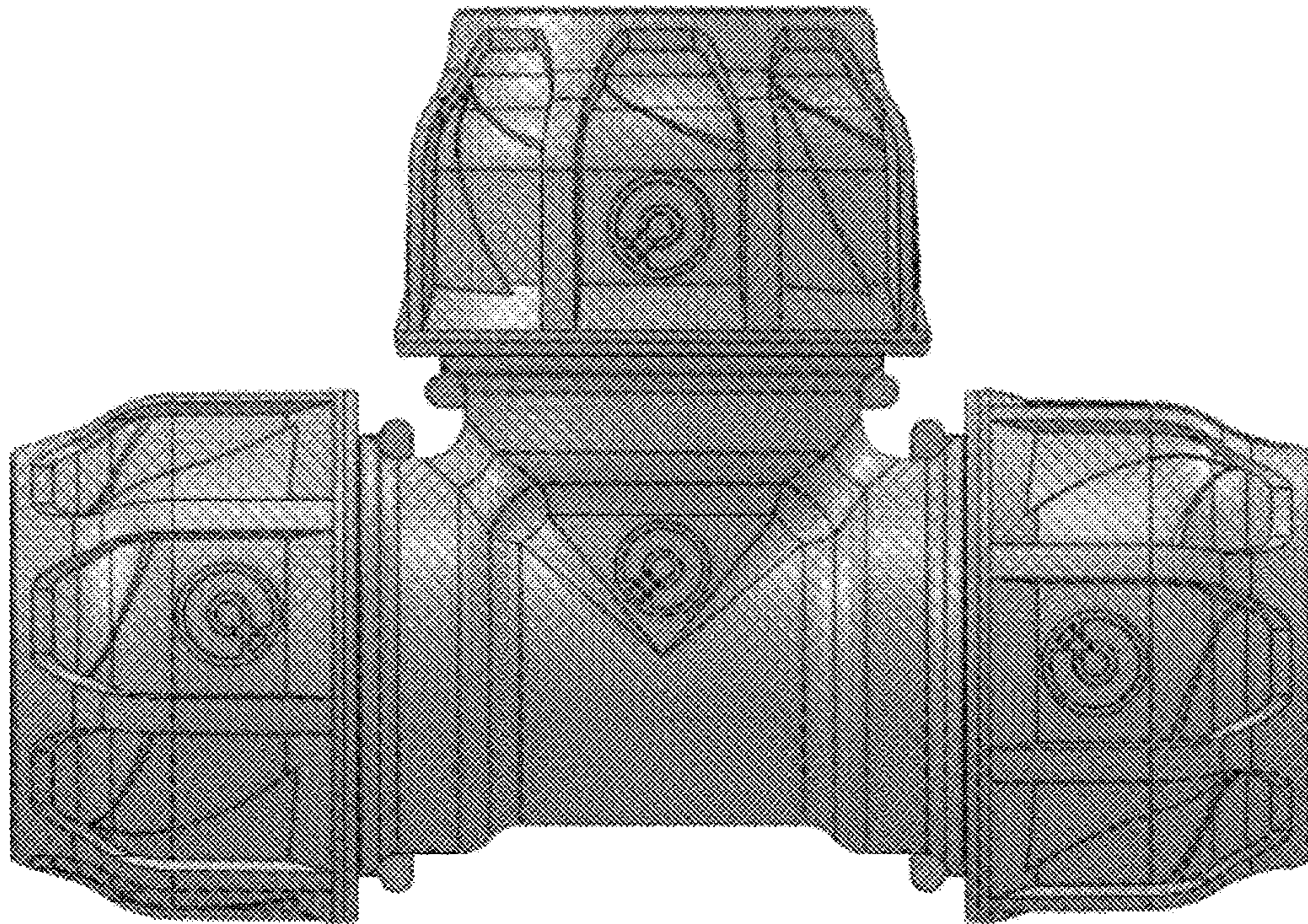


FIG. 7

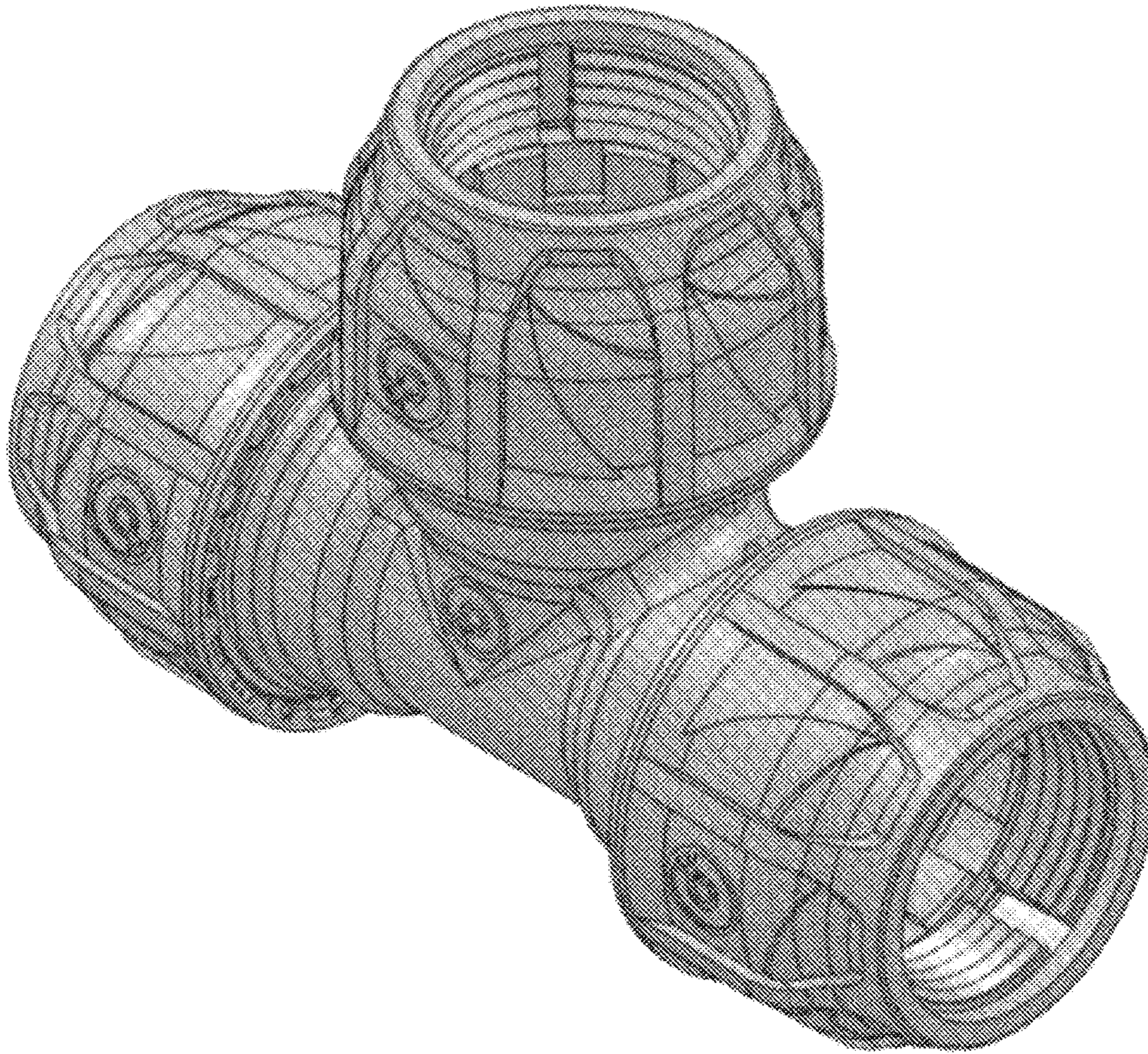


FIG. 8

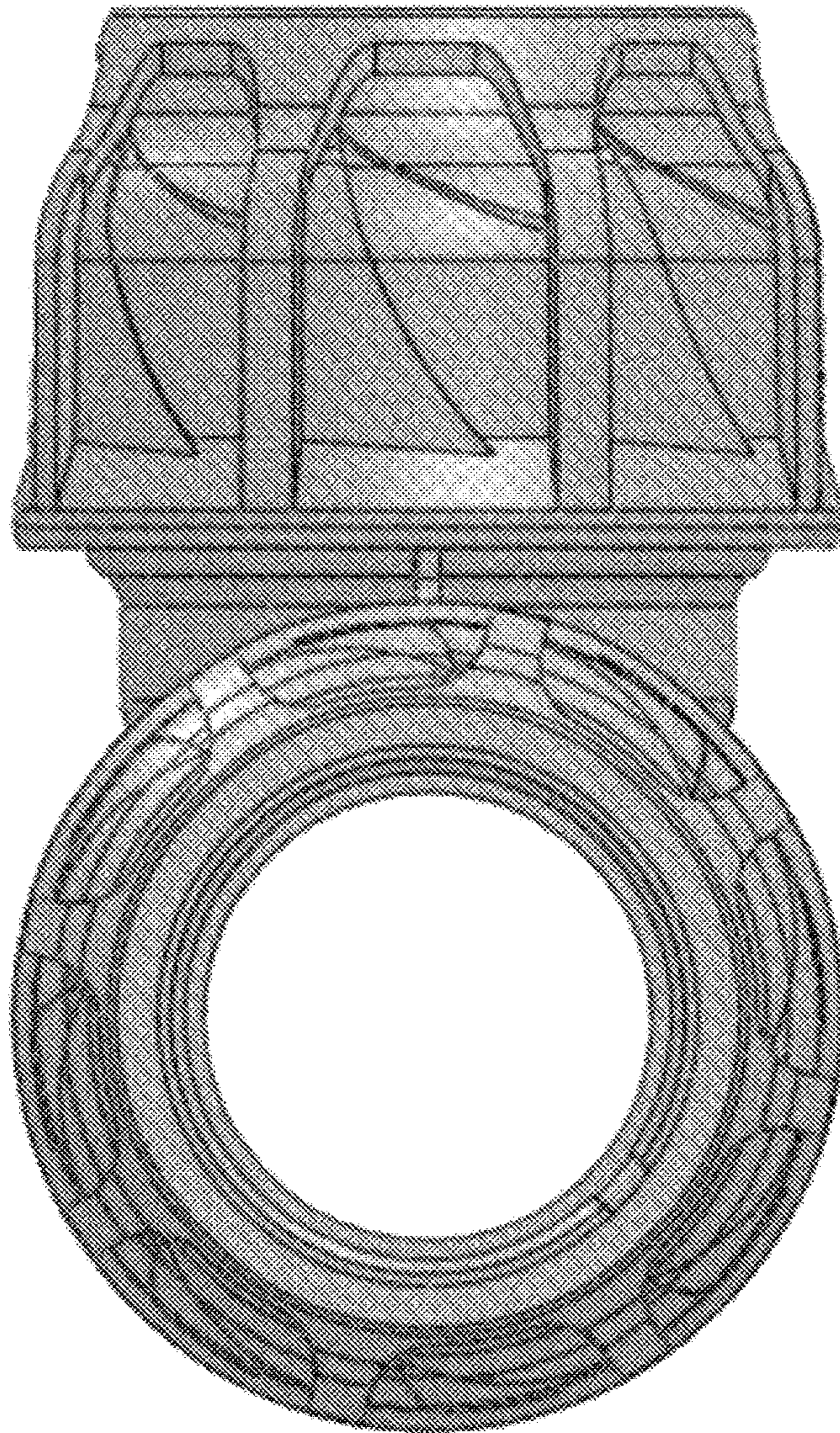


FIG. 9

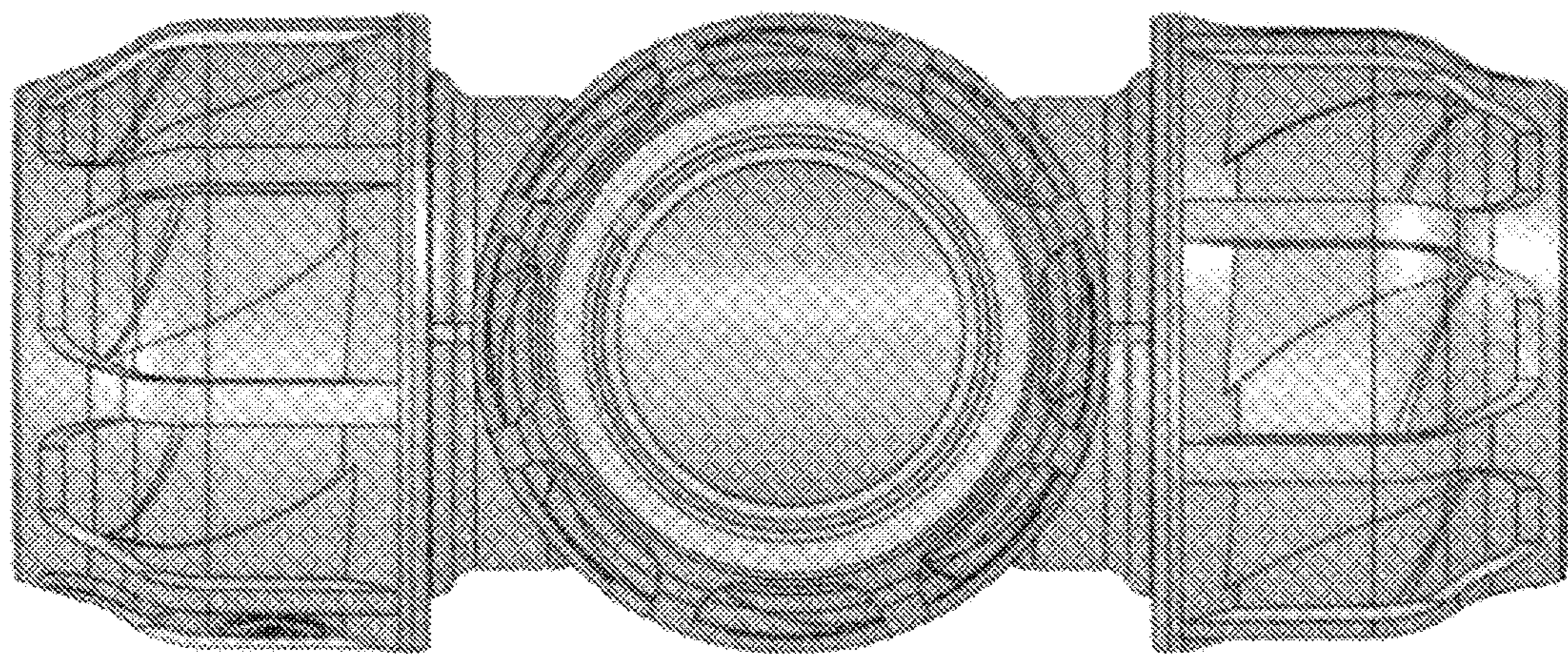


FIG. 10