



US00D857177S

(12) **United States Design Patent**
Zhang

(10) **Patent No.:** **US D857,177 S**

(45) **Date of Patent:** **** Aug. 20, 2019**

(54) **SPOUT**

(71) Applicant: **Peijian Zhang**, Wenzhou (CN)

(72) Inventor: **Peijian Zhang**, Wenzhou (CN)

(**) Term: **15 Years**

(21) Appl. No.: **29/645,279**

(22) Filed: **Apr. 25, 2018**

(51) **LOC (12) Cl.** **23-01**

(52) **U.S. Cl.**

USPC **D23/255**

(58) **Field of Classification Search**

USPC D23/238–243, 249, 255, 257

CPC E03C 1/04; E03C 1/0401; E03C 1/0402;

E03C 1/0404; Y10T 137/9464

See application file for complete search history.

(56) **References Cited**

U.S. PATENT DOCUMENTS

D536,070 S * 1/2007 Gilbert D23/238

D576,710 S * 9/2008 Fritz D23/238

D581,030 S * 11/2008 Fritz D23/255

D679,367 S * 4/2013 Kwok D23/255

D720,433 S * 12/2014 Fritz D23/255

D723,138 S * 2/2015 Ke D23/238

* cited by examiner

Primary Examiner — Eric L Goodman

Assistant Examiner — Amy C Wierenga

(57) **CLAIM**

The ornamental design for a spout, as shown and described.

DESCRIPTION

FIG. 1 is a front elevational view of a spout showing my new design;

FIG. 2 is a rear elevational view thereof;

FIG. 3 is a left side elevational view thereof;

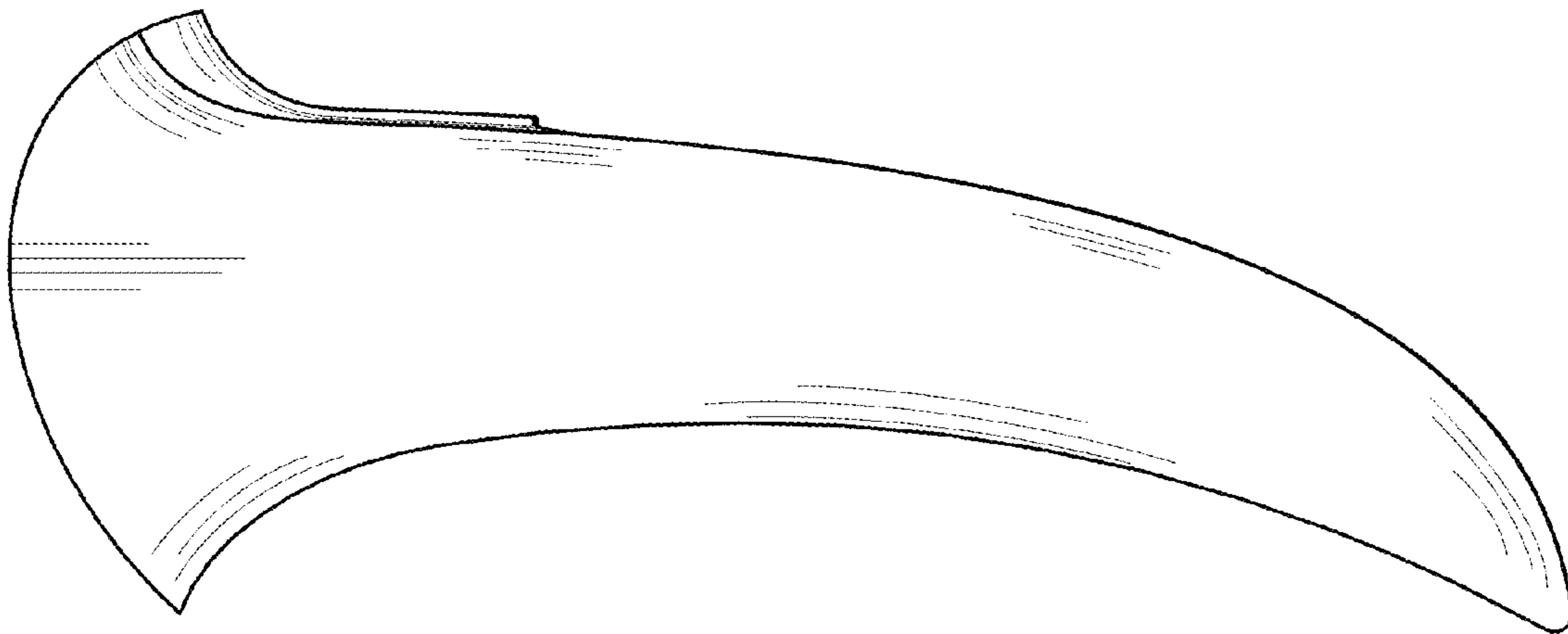
FIG. 4 is a right side elevational view thereof;

FIG. 5 is a top plan view thereof;

FIG. 6 is a bottom plan view thereof; and,

FIG. 7 is a perspective view thereof.

1 Claim, 4 Drawing Sheets



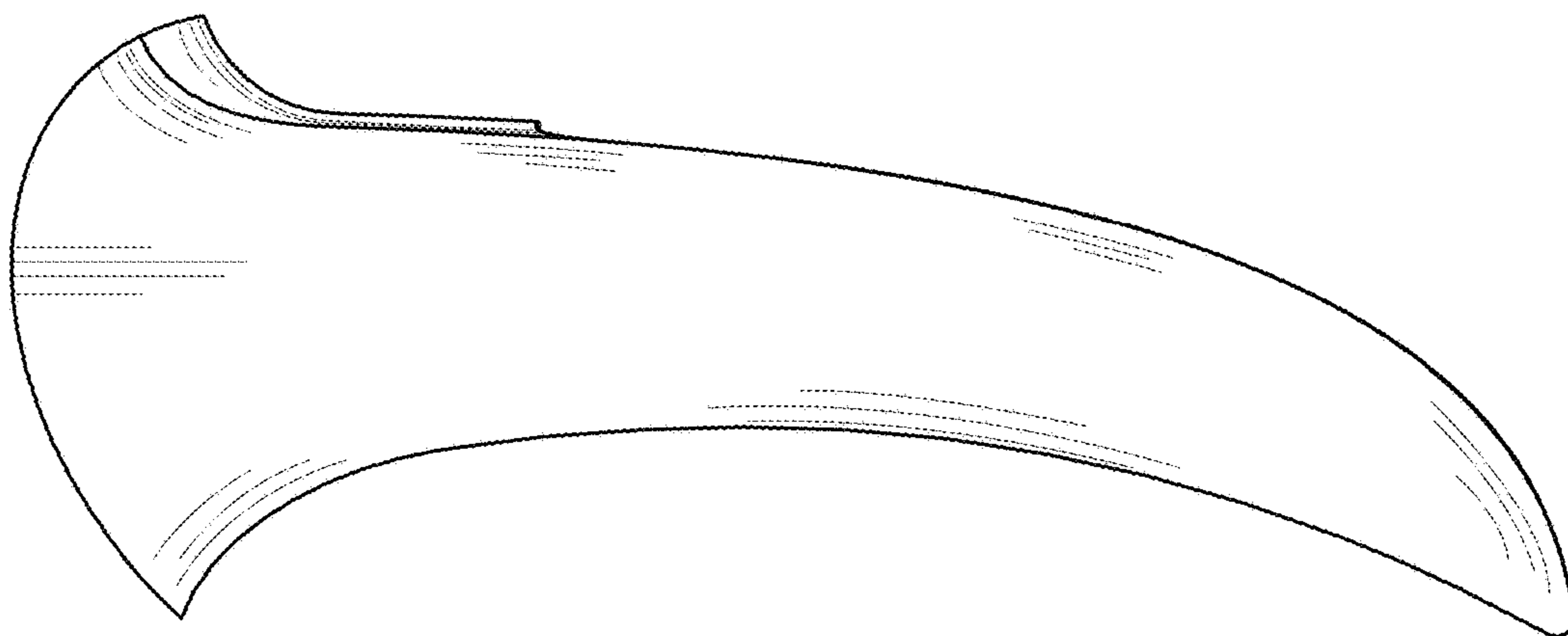


FIG.1

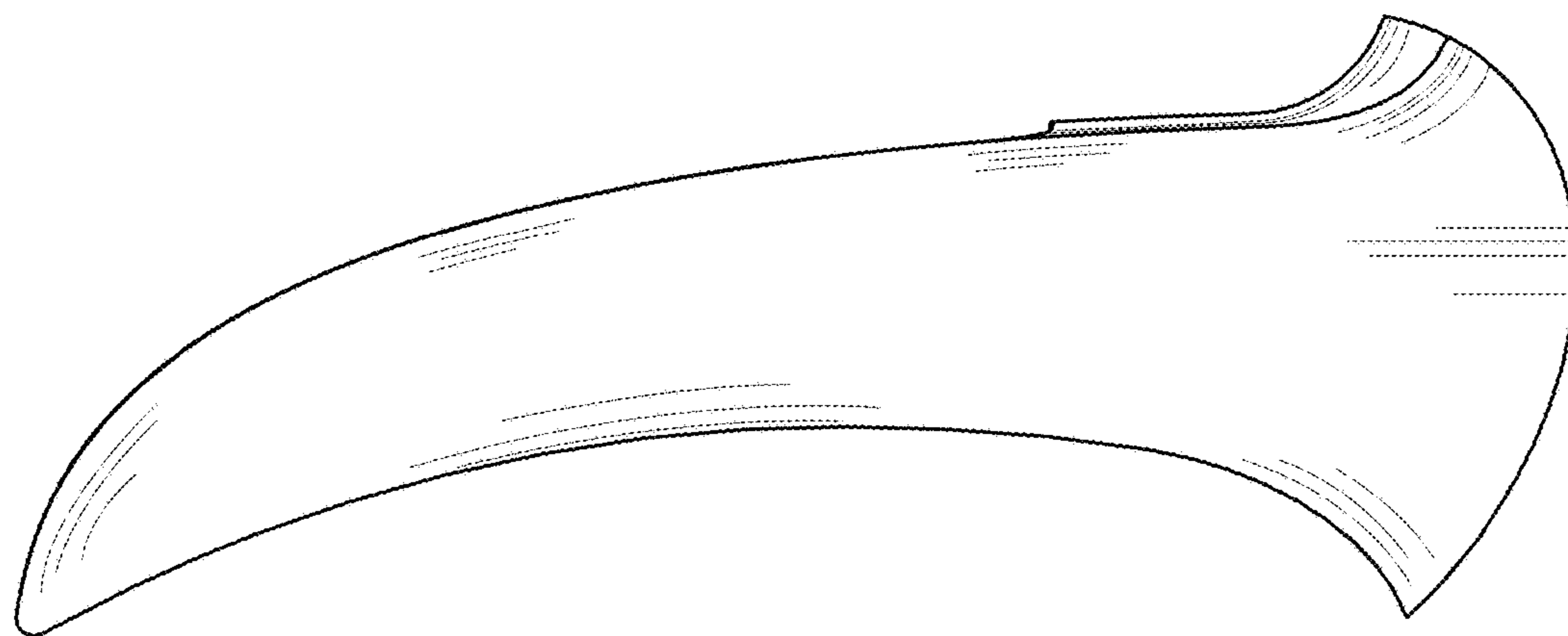


FIG.2

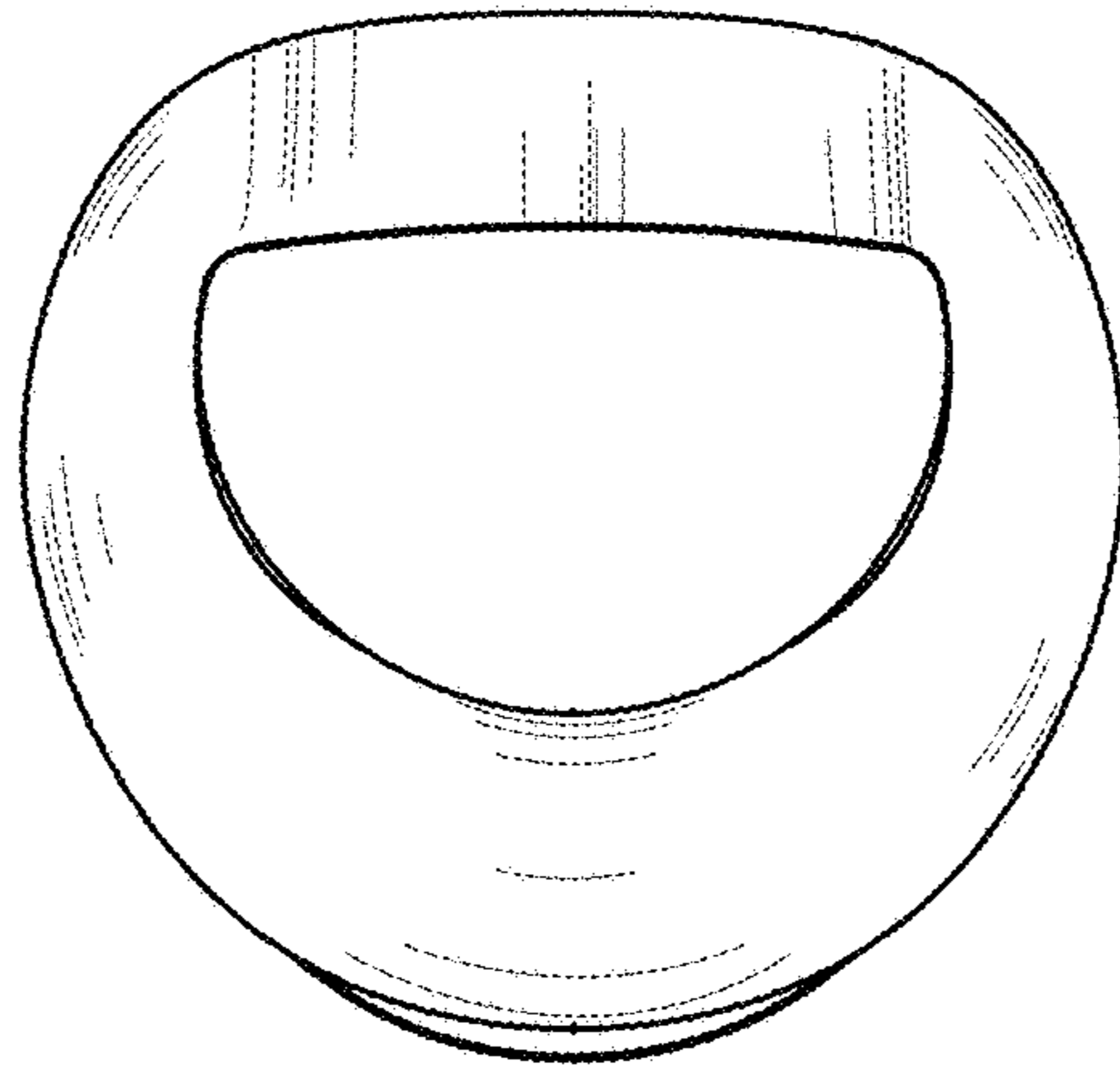


FIG3

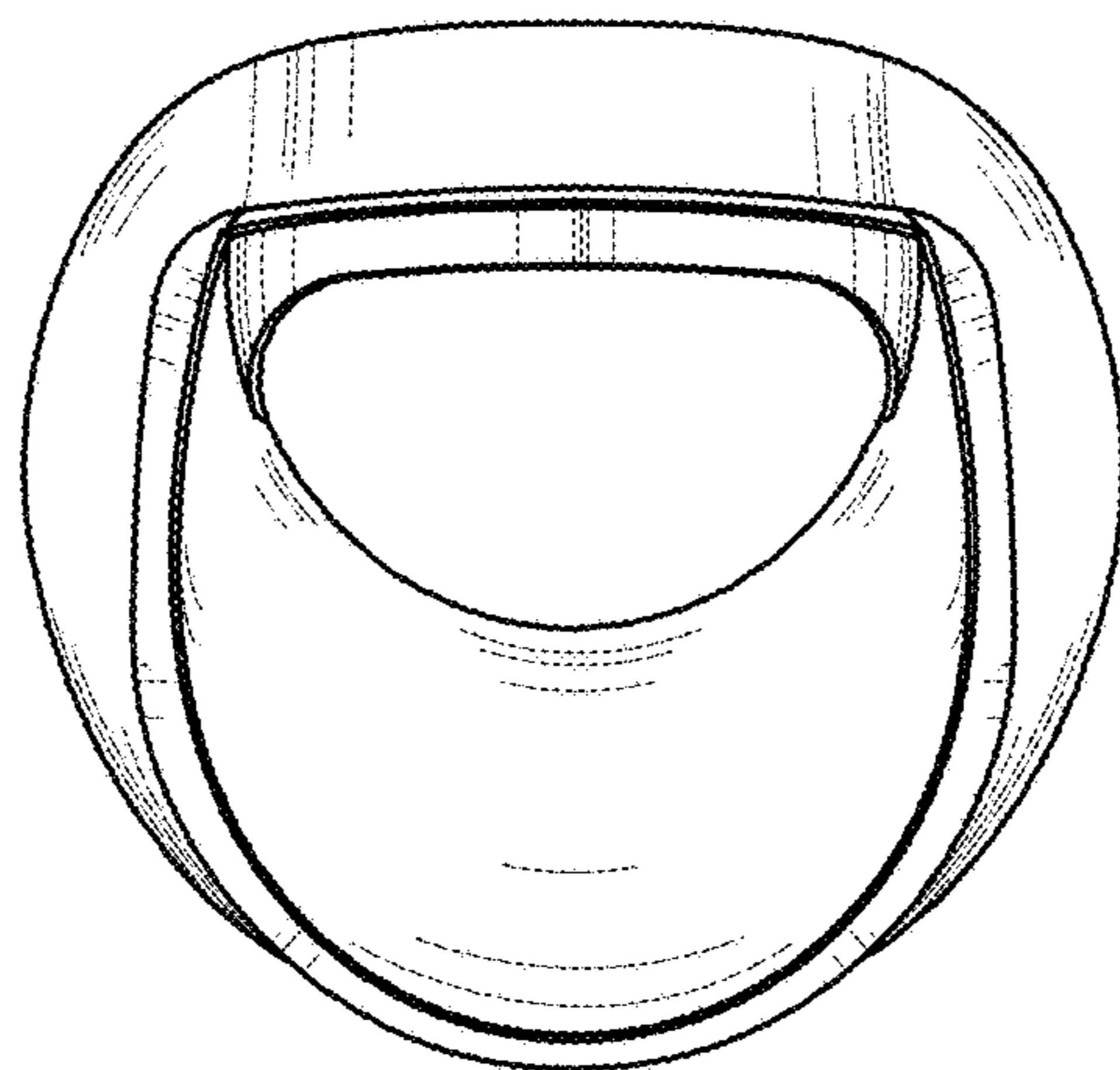


FIG4

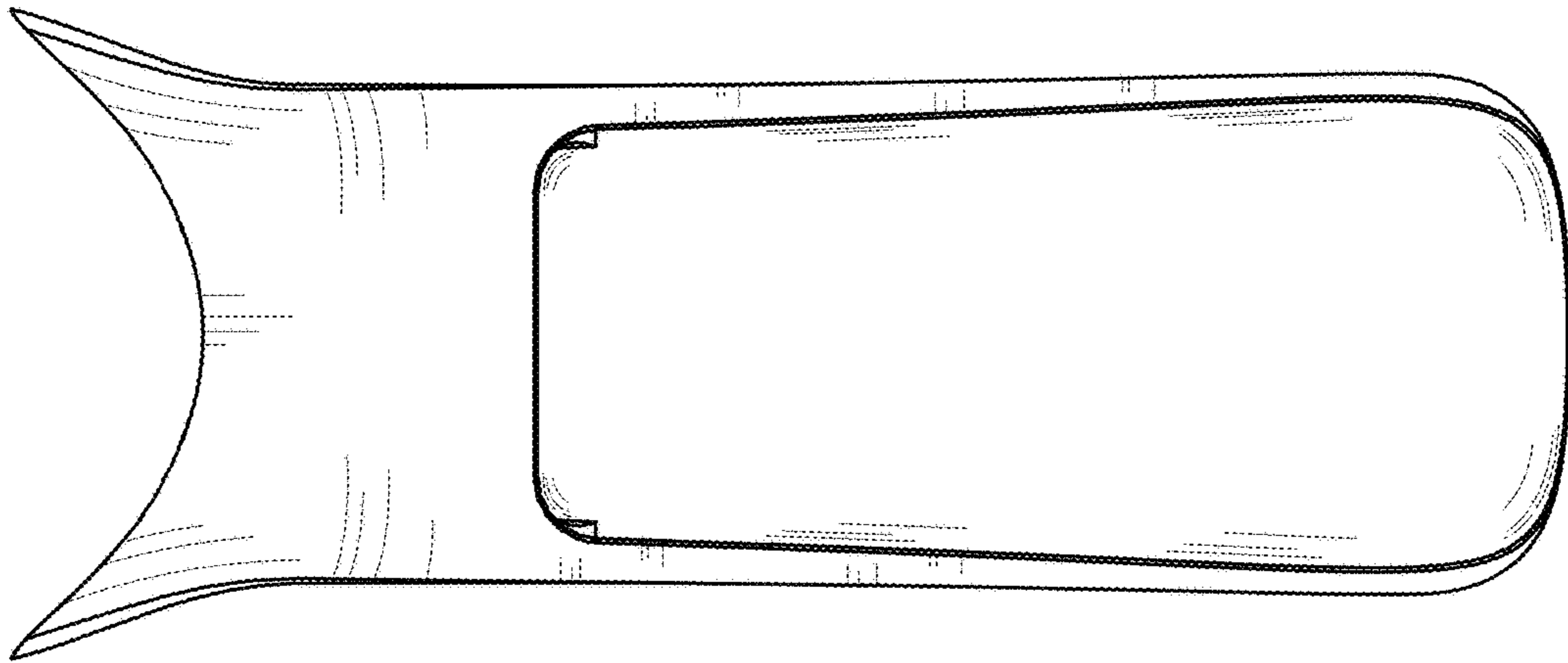


FIG. 5

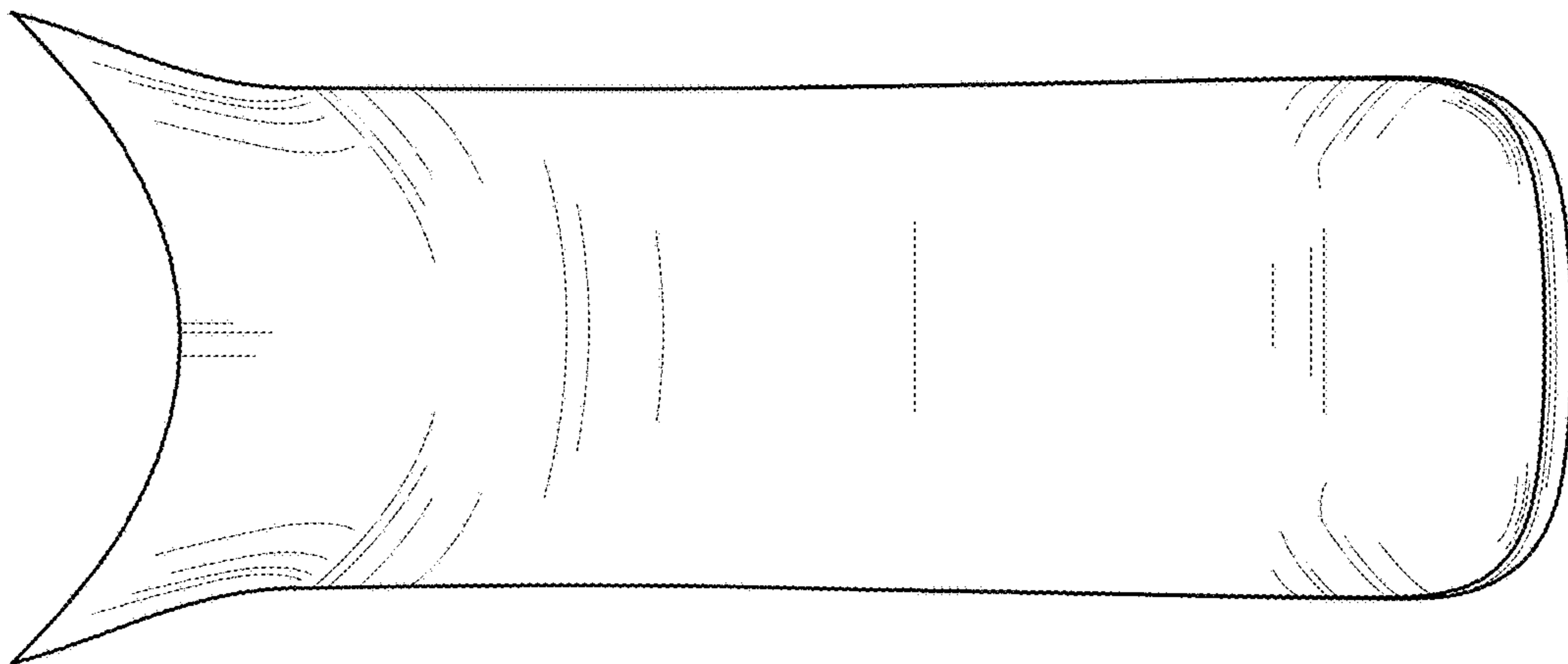


FIG. 6

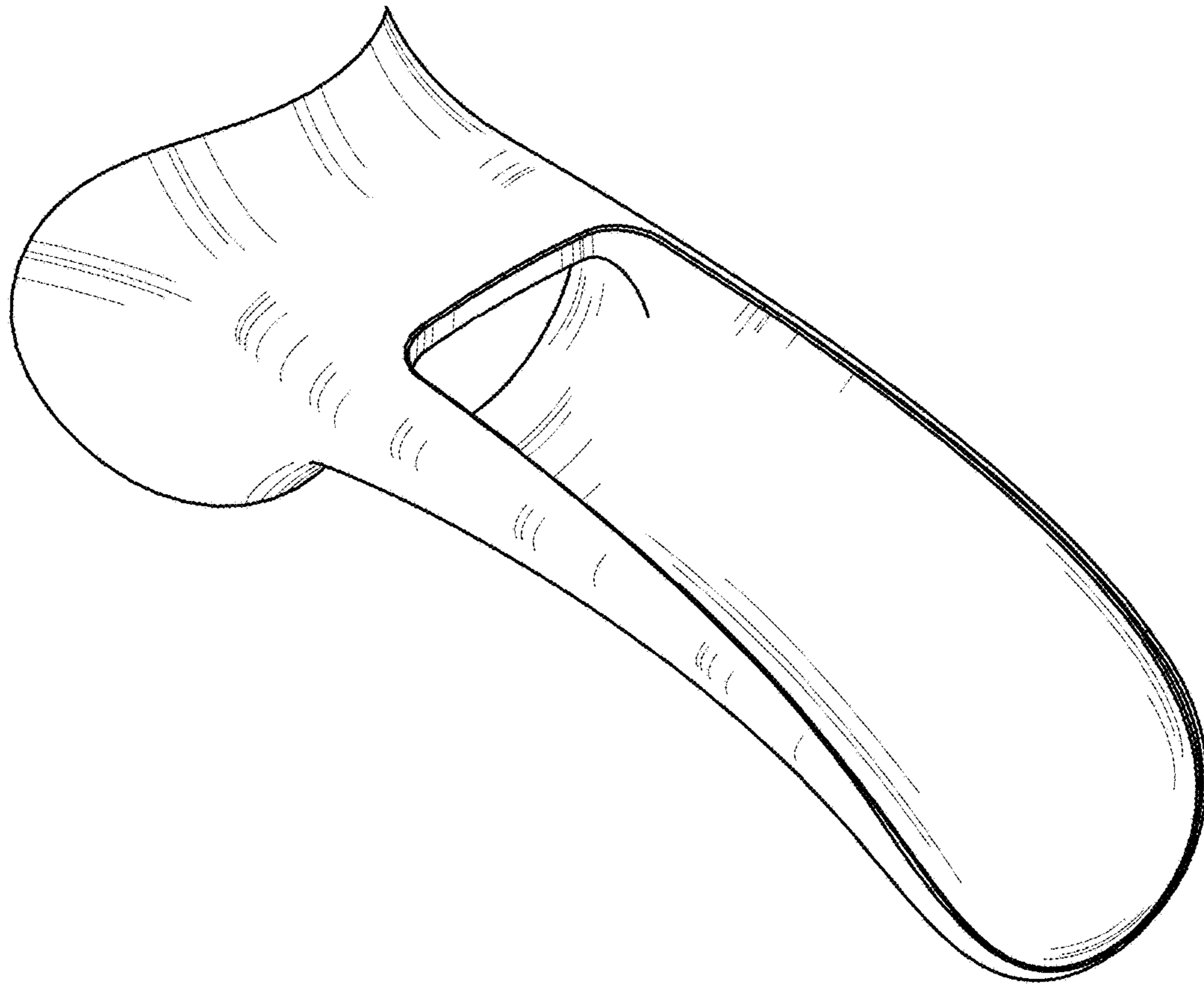


FIG.7