



US00D857175S

(12) **United States Design Patent**
Chen

(10) **Patent No.:** **US D857,175 S**

(45) **Date of Patent:** **** Aug. 20, 2019**

(54) **WATER TAP**

(71) Applicant: **Hui Chen, Rui'an (CN)**

(72) Inventor: **Hui Chen, Rui'an (CN)**

(**) Term: **15 Years**

(21) Appl. No.: **29/614,974**

(22) Filed: **Aug. 24, 2017**

(30) **Foreign Application Priority Data**

Aug. 21, 2017 (CN) 2017 3 0386166

(51) **LOC (12) Cl.** **23-01**

(52) **U.S. Cl.**
USPC **D23/255**

(58) **Field of Classification Search**

USPC D23/238-243, 249, 250, 252, 254-255,
D23/257, 245; D7/394, 622, 709, 319,
D7/312, 317, 321; D9/797, 545, 435

CPC Y10T 137/9464
See application file for complete search history.

(56) **References Cited**

U.S. PATENT DOCUMENTS

D347,883 S * 6/1994 Kolada D23/257
D385,337 S * 10/1997 Spurgeon D23/255

D576,710 S * 9/2008 Fritz D23/238
D582,017 S * 12/2008 Yuan D23/255
D655,791 S * 3/2012 Kwok D23/257
D678,985 S * 3/2013 Berger D23/255
D797,243 S * 9/2017 Zhang D23/238

* cited by examiner

Primary Examiner — Robert A Delehanty

(74) *Attorney, Agent, or Firm* — KA Filing LLC; Wayne V. Harper

(57) **CLAIM**

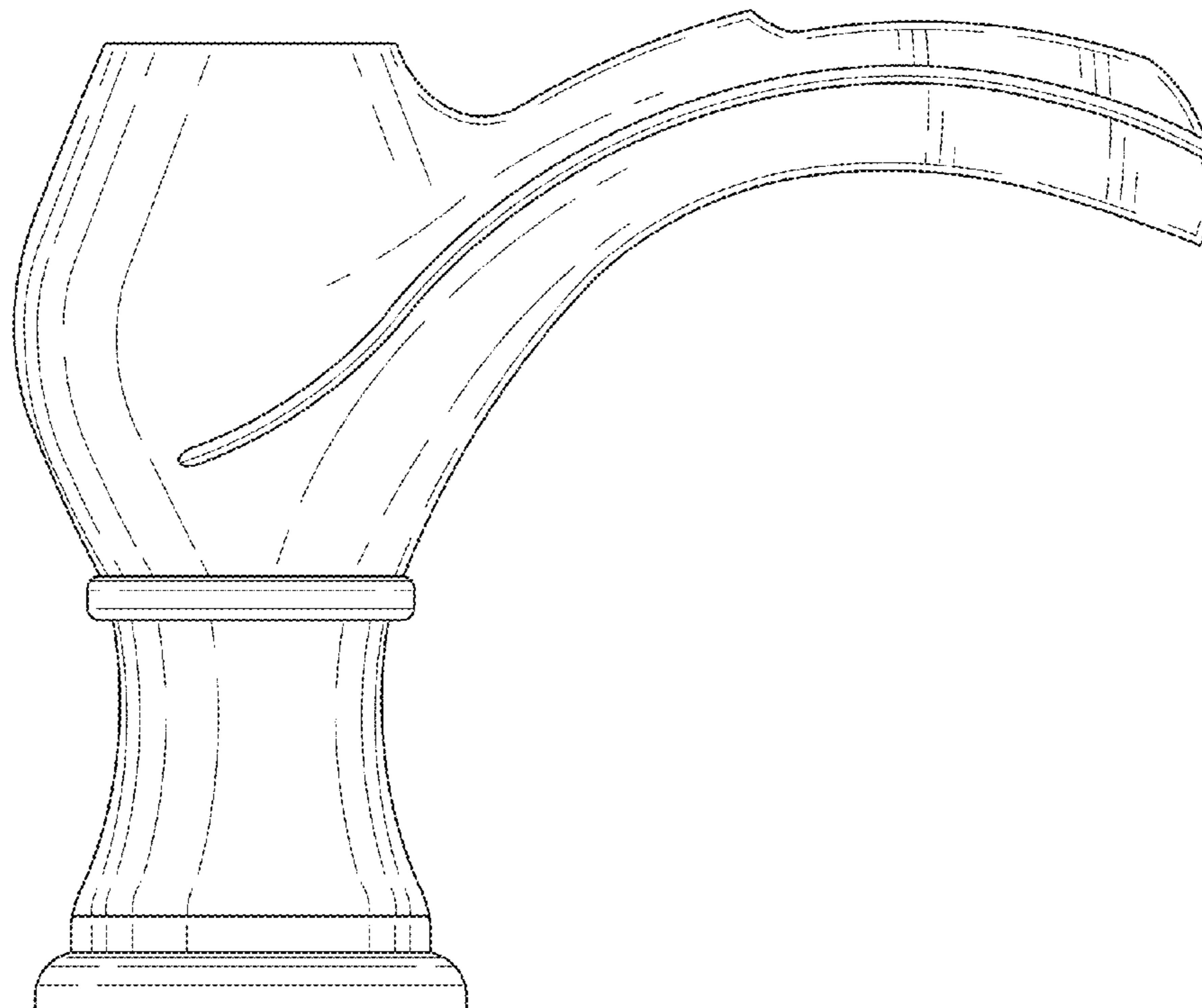
The ornamental design for a water tap, as shown and described.

DESCRIPTION

FIG. 1 is a front view of a water tap showing my new design in accordance with an embodiment;
FIG. 2 is a back view of the water tap of FIG. 1;
FIG. 3 is a left side view of the water tap;
FIG. 4 is a right side view of the water tap;
FIG. 5 is a top view of the water tap; and,
FIG. 6 is a bottom view of the water tap.

The broken lines shown in the drawings represent interior portions of the tap and form no part of the claimed design.

1 Claim, 6 Drawing Sheets



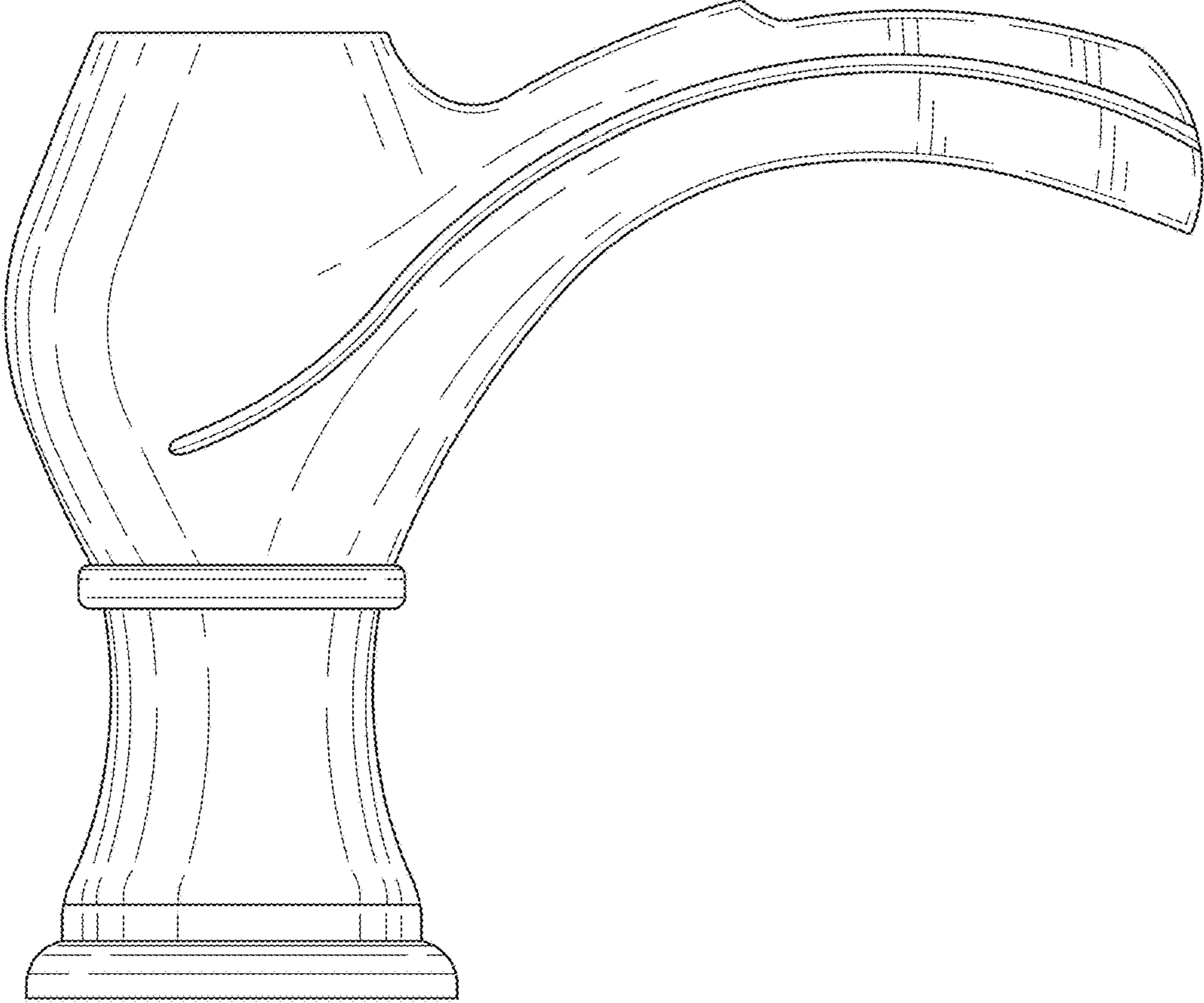


FIG. 1

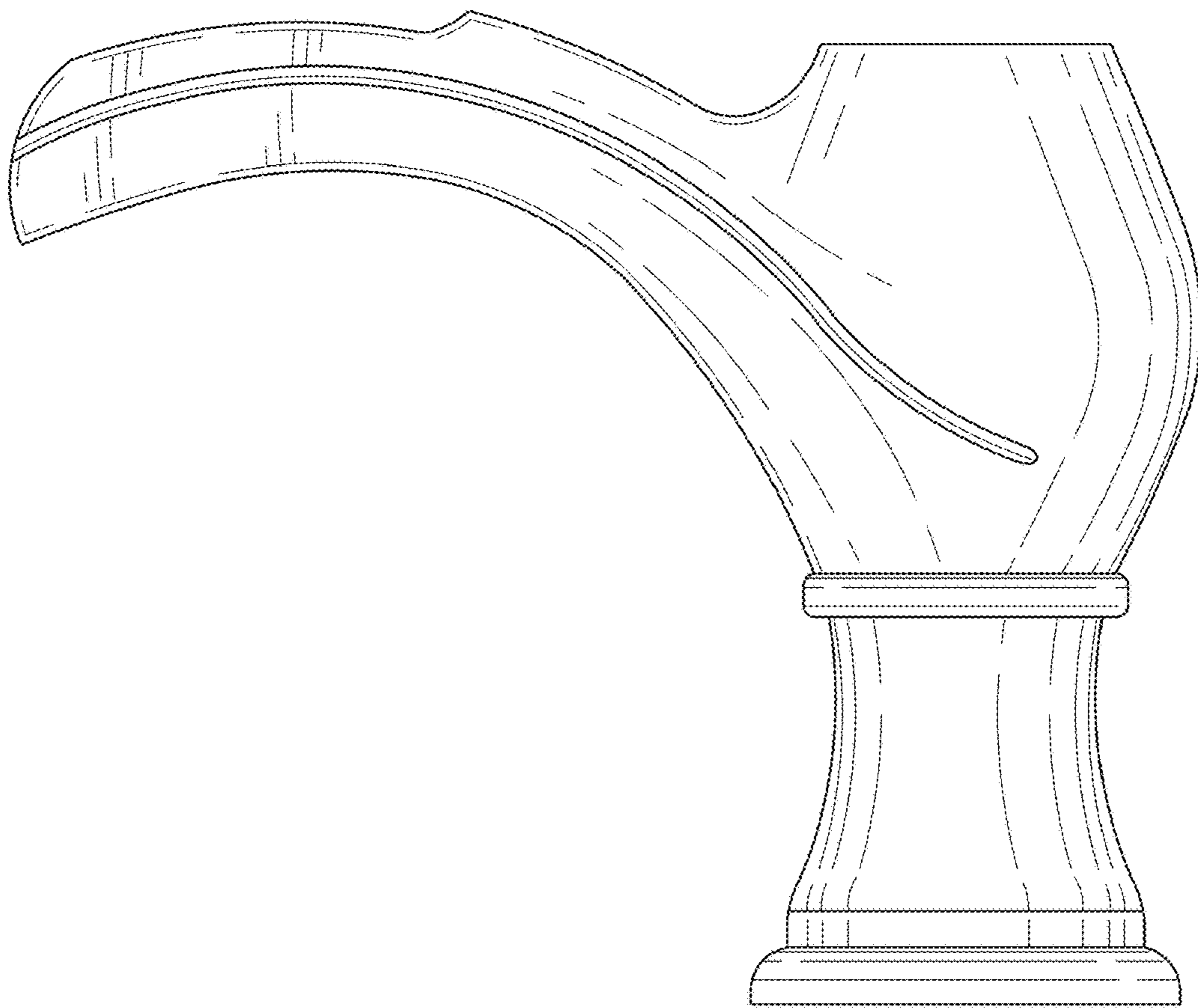


FIG. 2

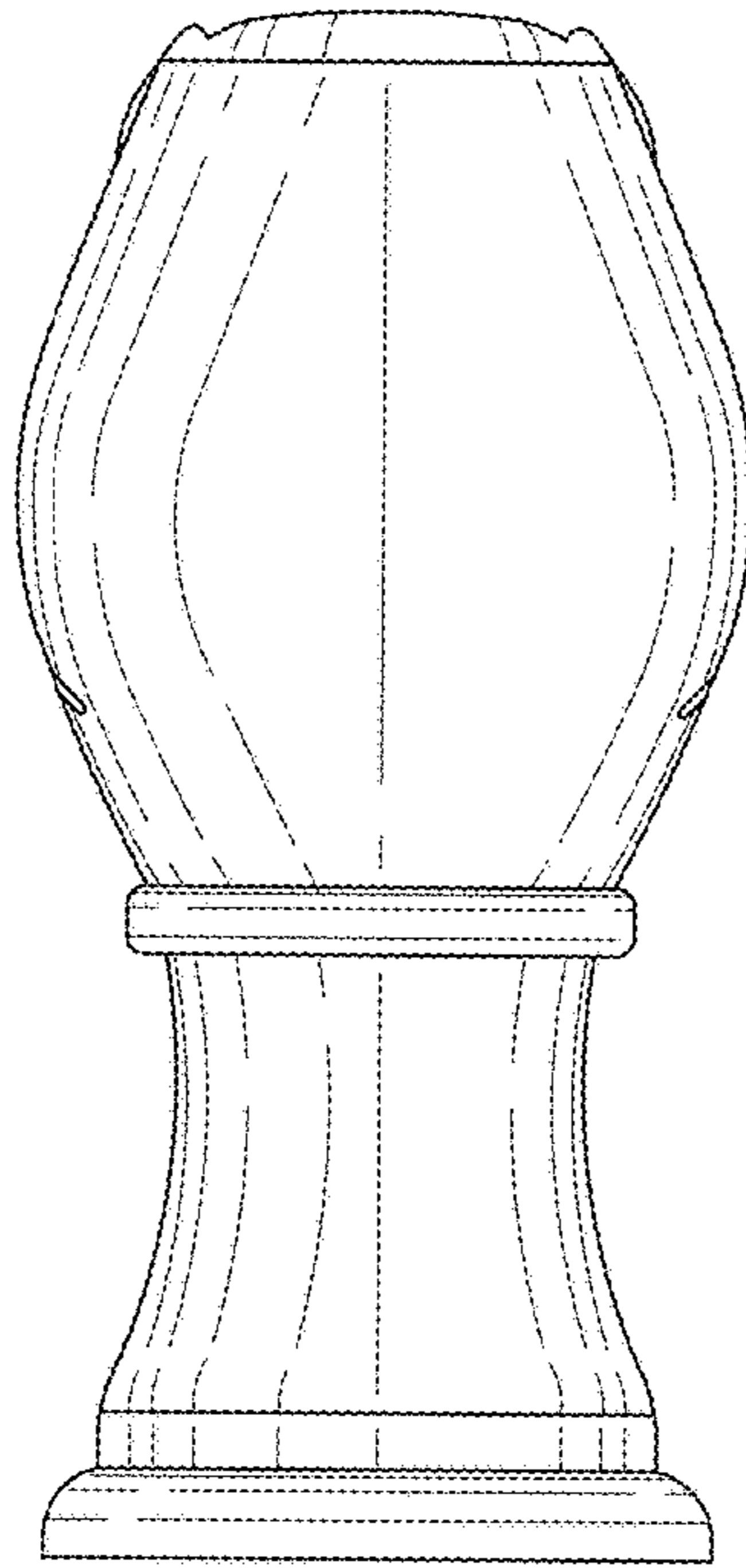


FIG. 3

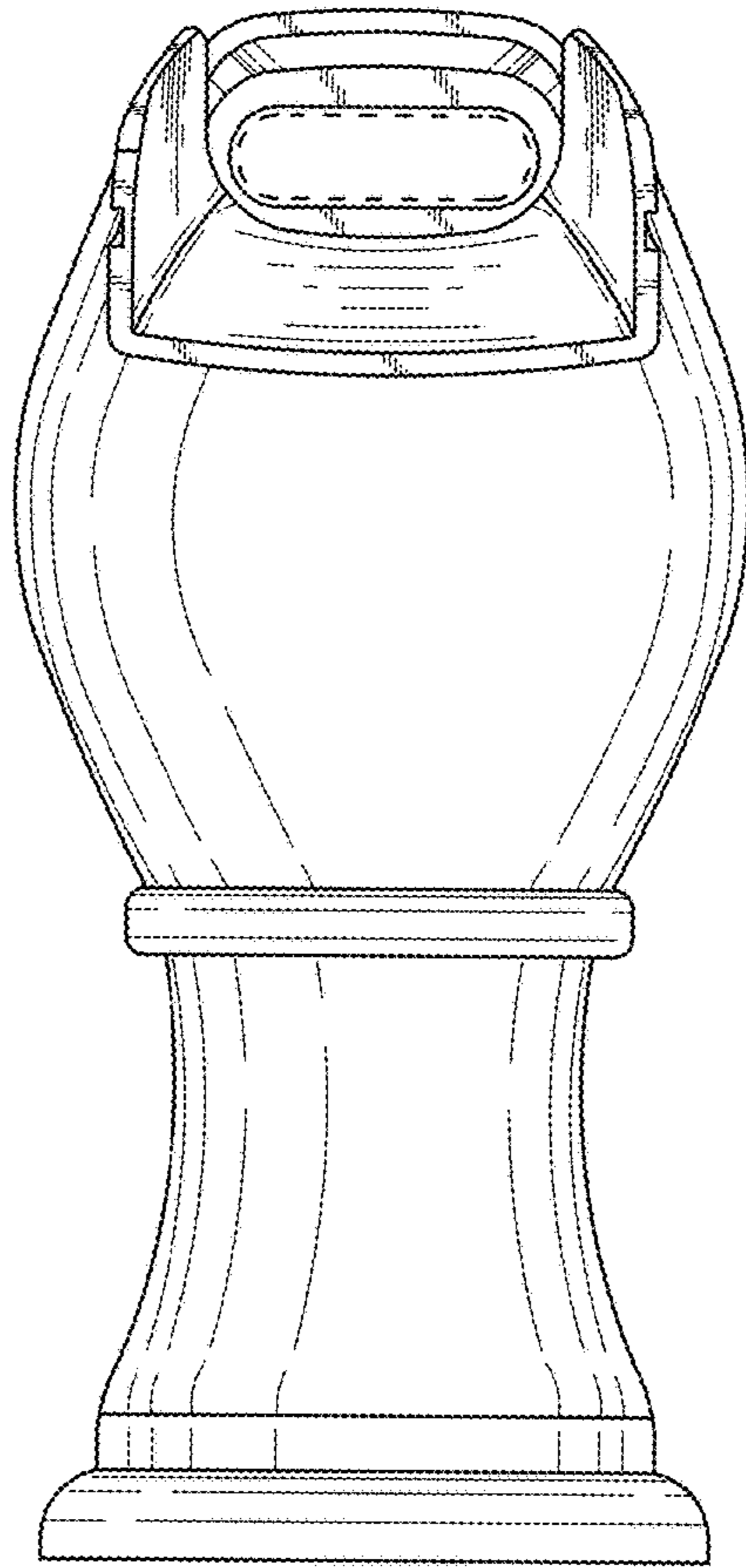


FIG. 4

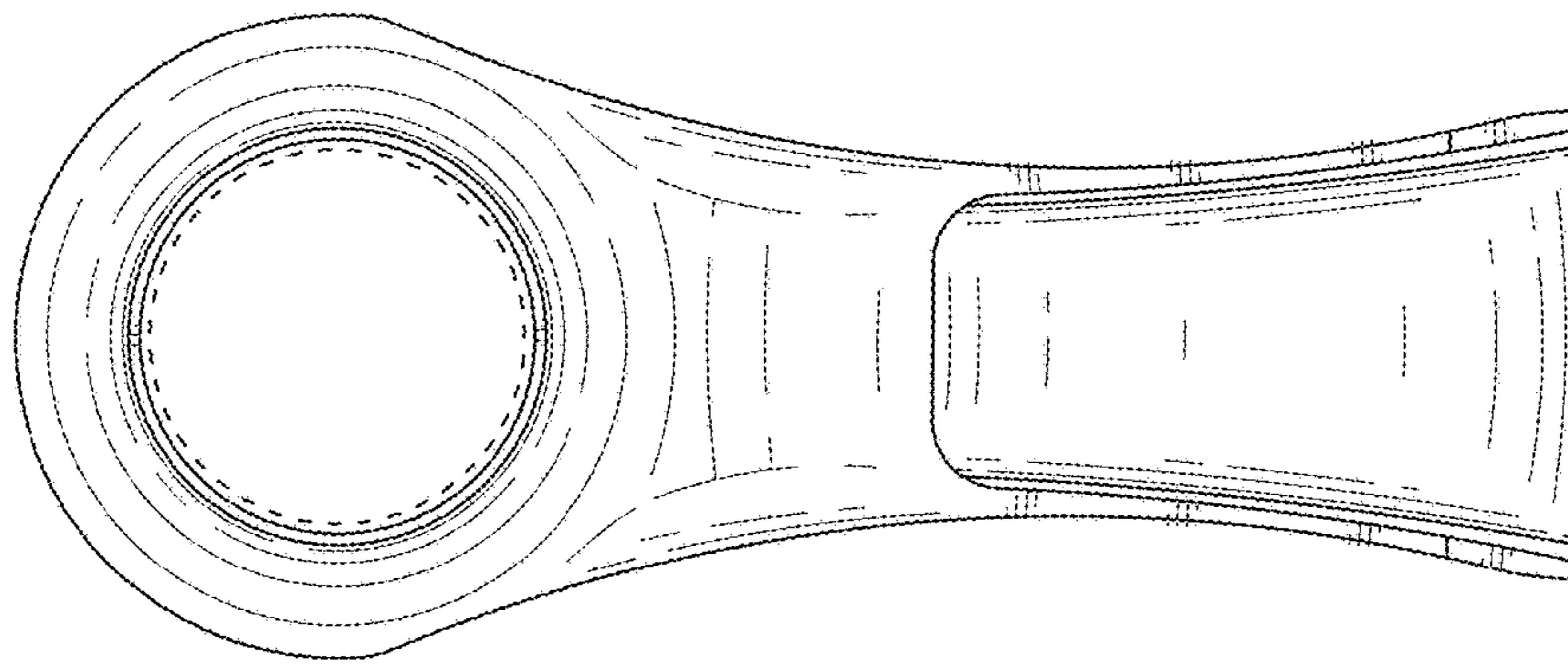


FIG. 5

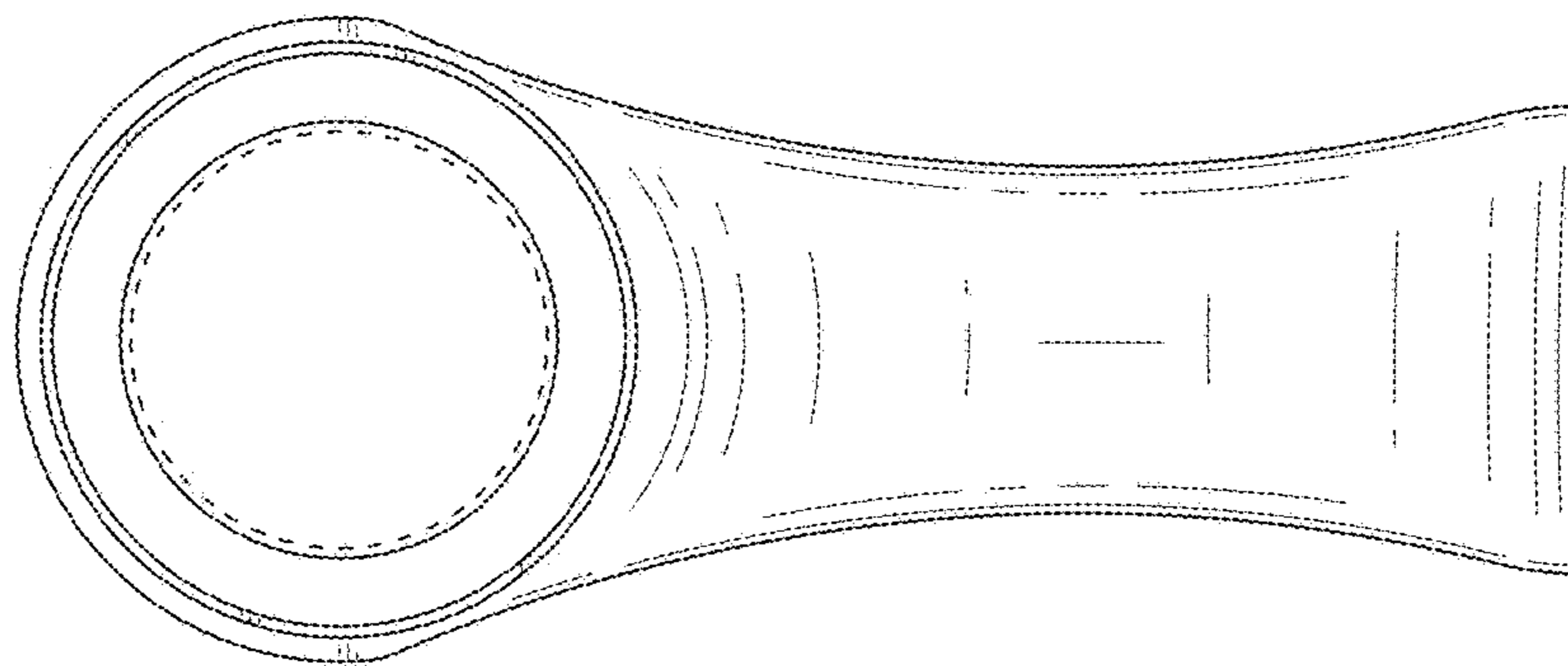


FIG. 6