



US00D857173S

(12) **United States Design Patent** (10) **Patent No.:** **US D857,173 S**
McDonald (45) **Date of Patent:** **** Aug. 20, 2019**

(54) **EXTERIOR FAUCET MOUNT**
(71) Applicant: **UNITED PLASTIC MOLDERS, INC.**, Jackson, MS (US)
(72) Inventor: **Robby Lee McDonald**, Jackson, MS (US)
(**) Term: **15 Years**
(21) Appl. No.: **29/587,561**
(22) Filed: **Dec. 14, 2016**
(51) **LOC (12) Cl.** **23-01**
(52) **U.S. Cl.**
USPC **D23/249**
(58) **Field of Classification Search**
USPC D23/233-150, 249, 227, 260, 303, 209;
137/381, 382, 377, 359, 360; D8/349;
285/46, 64
CPC F16K 27/12; F16K 31/605; F16K 35/10
See application file for complete search history.

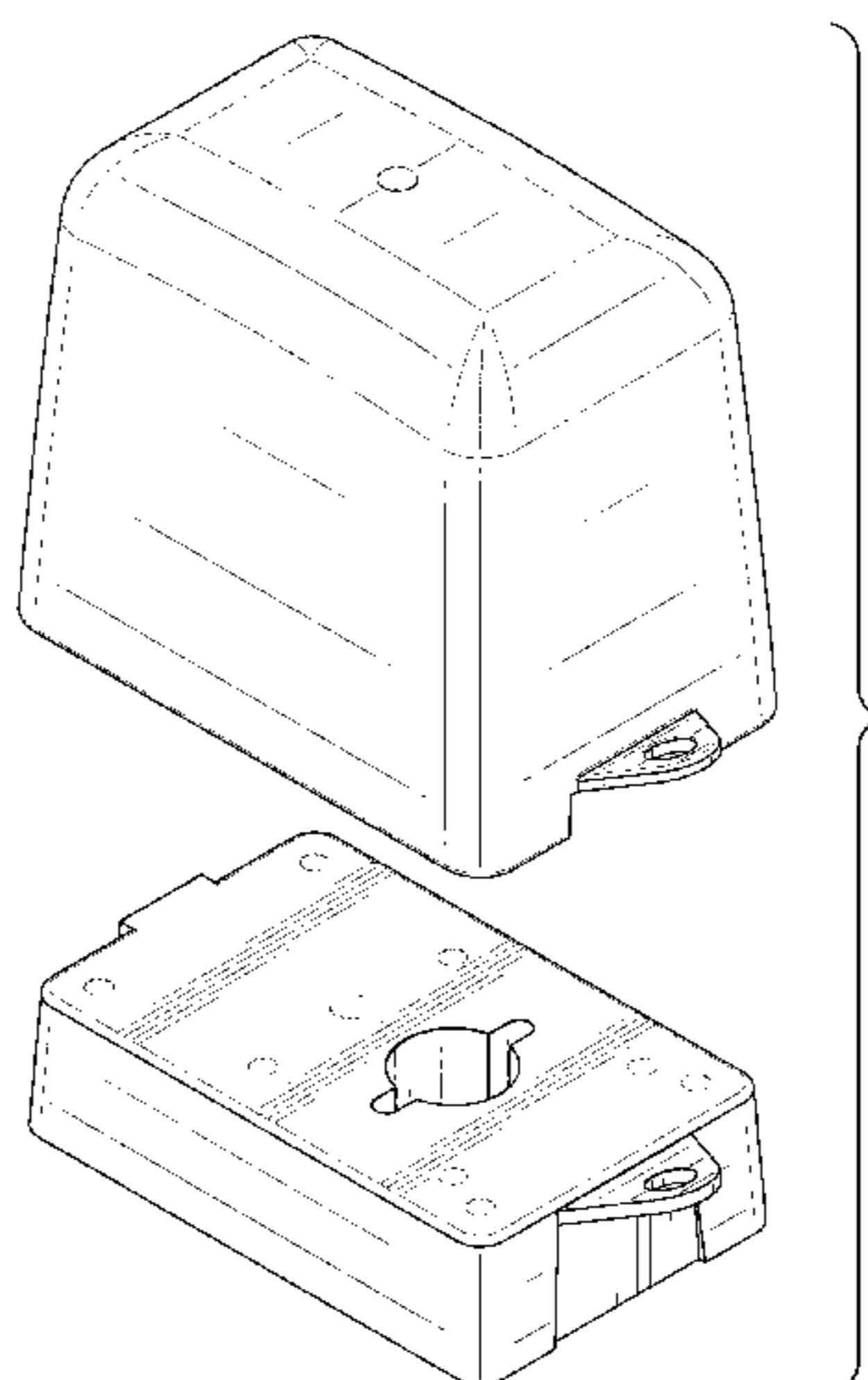
(56) **References Cited**
U.S. PATENT DOCUMENTS
D346,432 S 4/1994 Van Meter
5,803,508 A 9/1998 Lowella
D428,117 S * 7/2000 Minnick D23/249
6,378,910 B1 4/2002 Maiman
D483,651 S 12/2003 Sander
7,055,863 B1 6/2006 Commeville et al.
D654,146 S * 2/2012 Bell D23/209
D654,147 S * 2/2012 Bell D23/209
8,151,821 B2 4/2012 Ball
(Continued)

FOREIGN PATENT DOCUMENTS
EP 0 744 571 11/1996
Primary Examiner — Cynthia Ramirez
Assistant Examiner — Gino Colan

(74) *Attorney, Agent, or Firm* — Nixon & Vanderhye P.C.
(57) **CLAIM**
The ornamental designs for an “exterior faucet mount,” as shown and described.

DESCRIPTION
FIG. 1 is an upper left front perspective view of an exterior faucet mount in an exploded manner showing my new design;
FIG. 2 is an exploded front elevational view thereof;
FIG. 3 is an exploded rear elevational view thereof;
FIG. 4 is a top plan view thereof;
FIG. 5 is a bottom plan view thereof;
FIG. 6 is an exploded left side elevational view thereof;
FIG. 7 is an exploded right side elevational view thereof;
FIG. 8 is an exploded lower left front perspective view thereof;
FIG. 9 is an upper left front perspective view of the base of the exterior faucet mount;
FIG. 10 is a front elevational view thereof;
FIG. 11 is a rear elevational view thereof;
FIG. 12 is a top plan view thereof;
FIG. 13 is a bottom plan view thereof;
FIG. 14 is a left side elevational view thereof;
FIG. 15 is a right side elevational view thereof;
FIG. 16 is a lower left front perspective view thereof;
FIG. 17 is an upper left front perspective view of the cover guard of the exterior faucet mount;
FIG. 18 is a front elevational view thereof;
FIG. 19 is a rear elevational view thereof;
FIG. 20 is a top plan view thereof;
FIG. 21 is a bottom plan view thereof;
FIG. 22 is a left side elevational view thereof;
FIG. 23 is a right side elevational view thereof; and,
FIG. 24 is a lower left front perspective view thereof.
In FIGS. 9 through 24, the base and the cover guard are shown alone for convenience of illustration.
The broken lines in the drawings represent elements in the environment of the claimed design and form no part of the claimed design.

1 Claim, 22 Drawing Sheets



(56)

References Cited

U.S. PATENT DOCUMENTS

8,272,396	B2	9/2012	Brienza	
8,281,800	B2	10/2012	Ball et al.	
9,261,203	B2 *	2/2016	Vulpitta	E03B 9/027
D757,224	S *	5/2016	Reinhart	D23/249
D822,174	S *	7/2018	Darby	D23/249
D822,175	S *	7/2018	Darby	D23/249

* cited by examiner

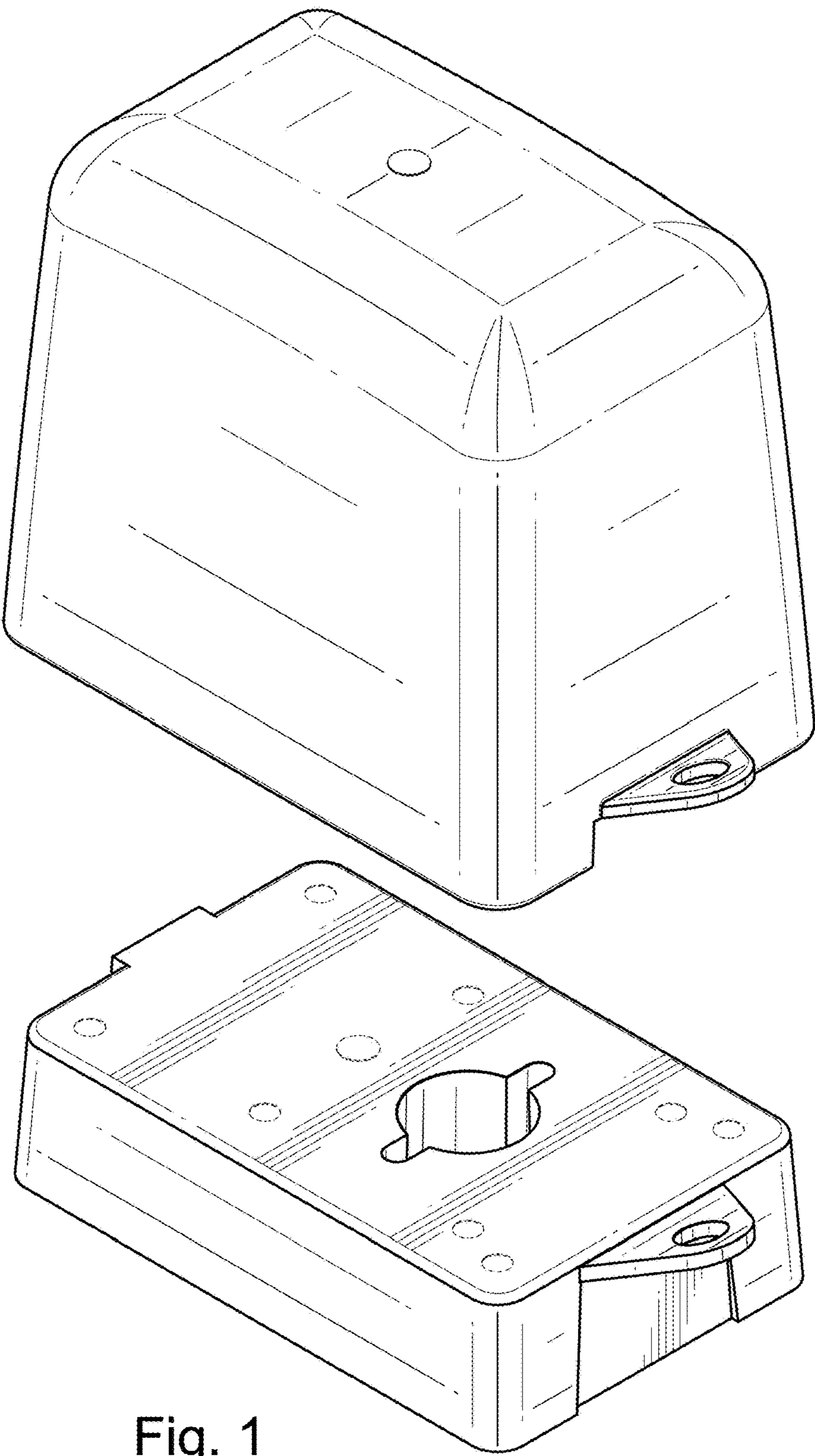


Fig. 1

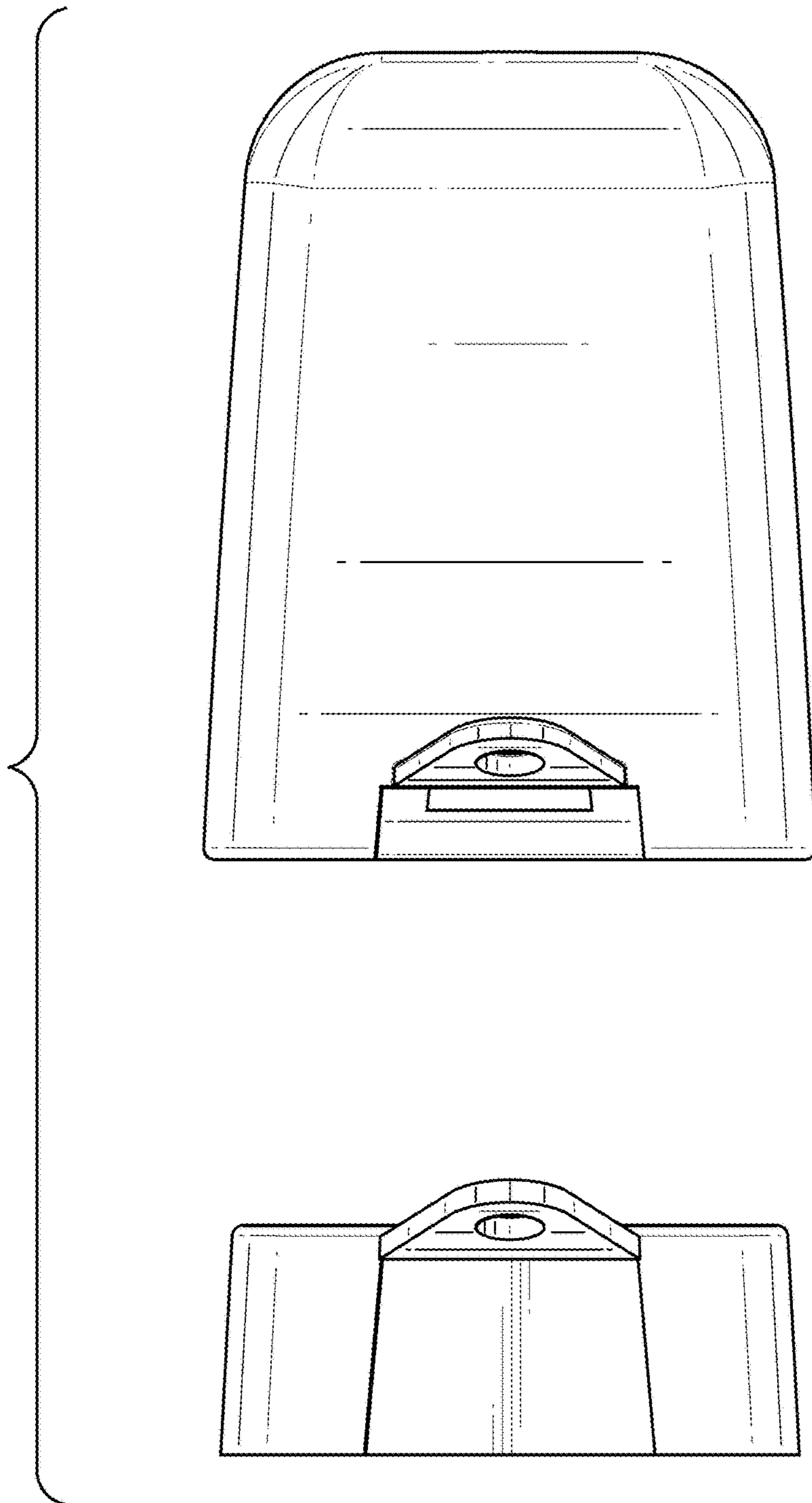


Fig. 2

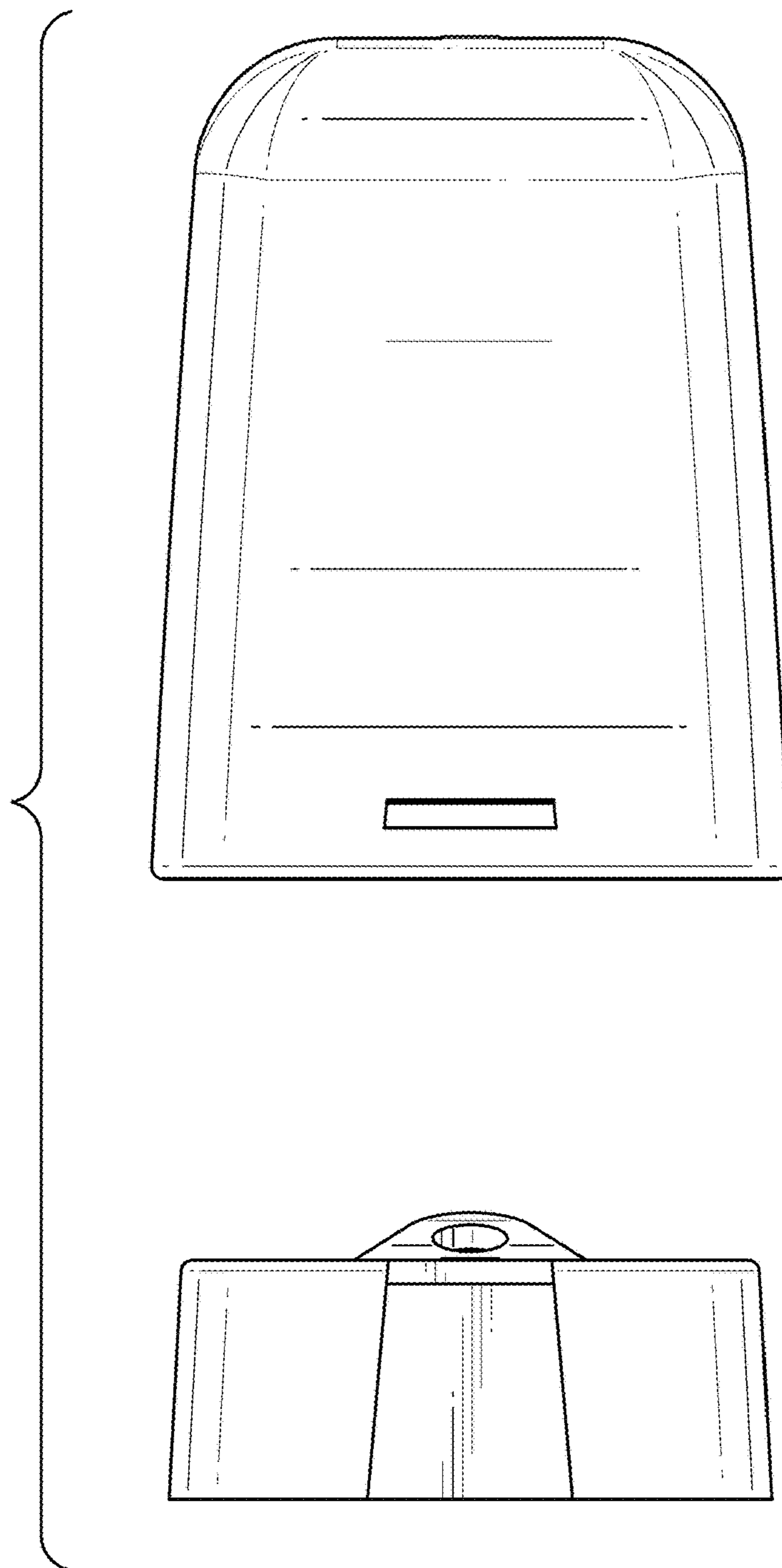


Fig. 3

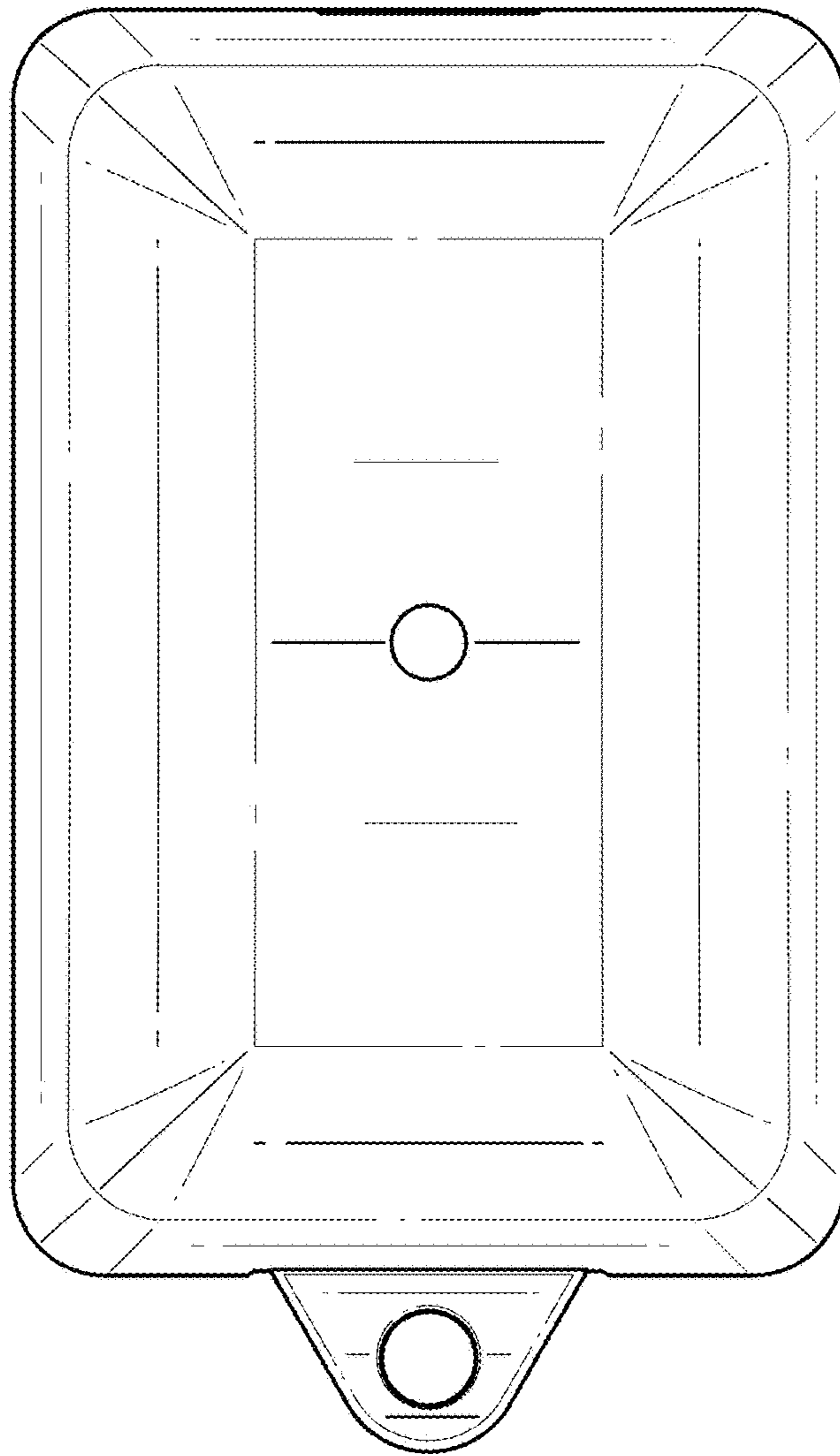


Fig. 4

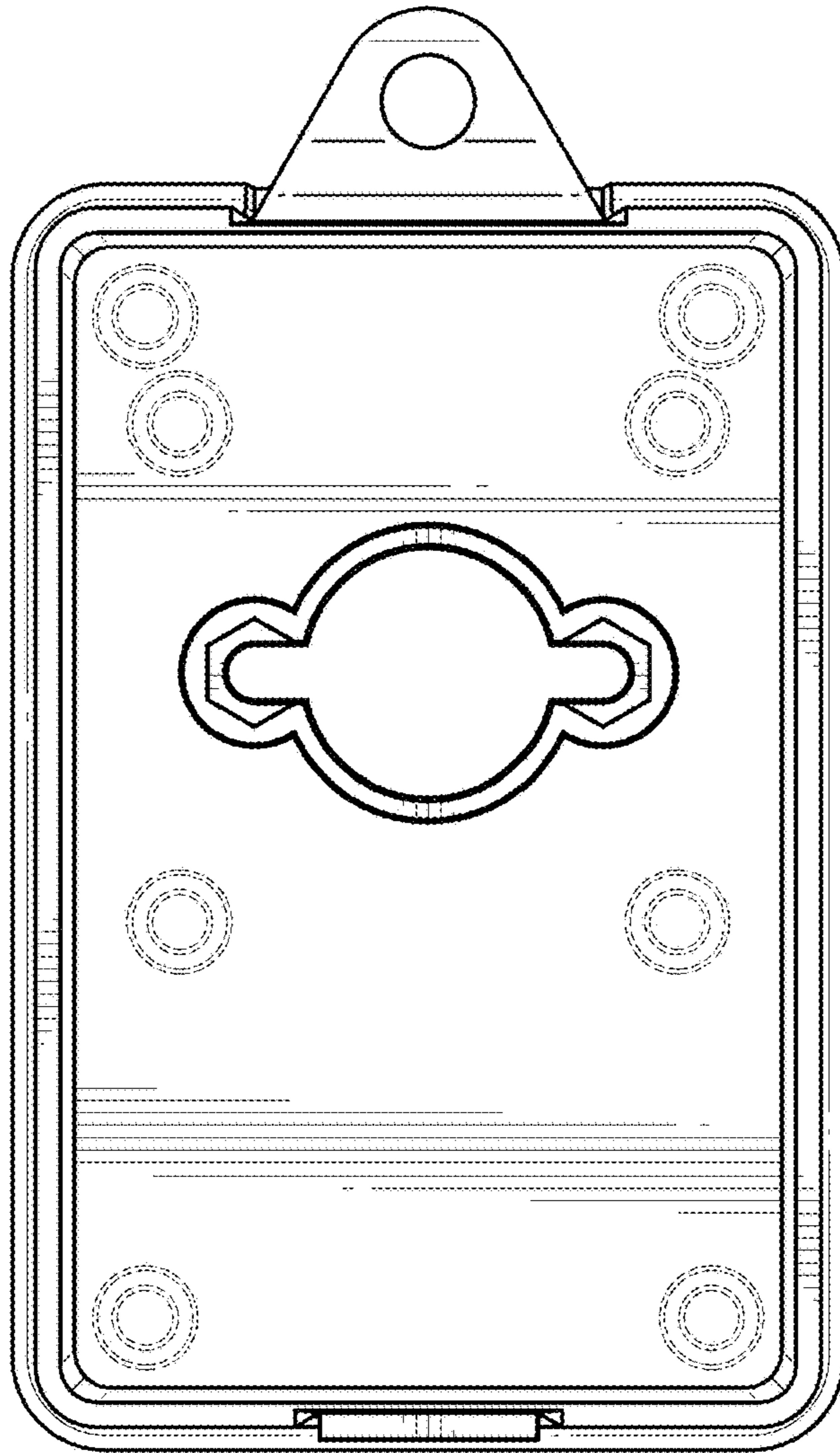


Fig. 5

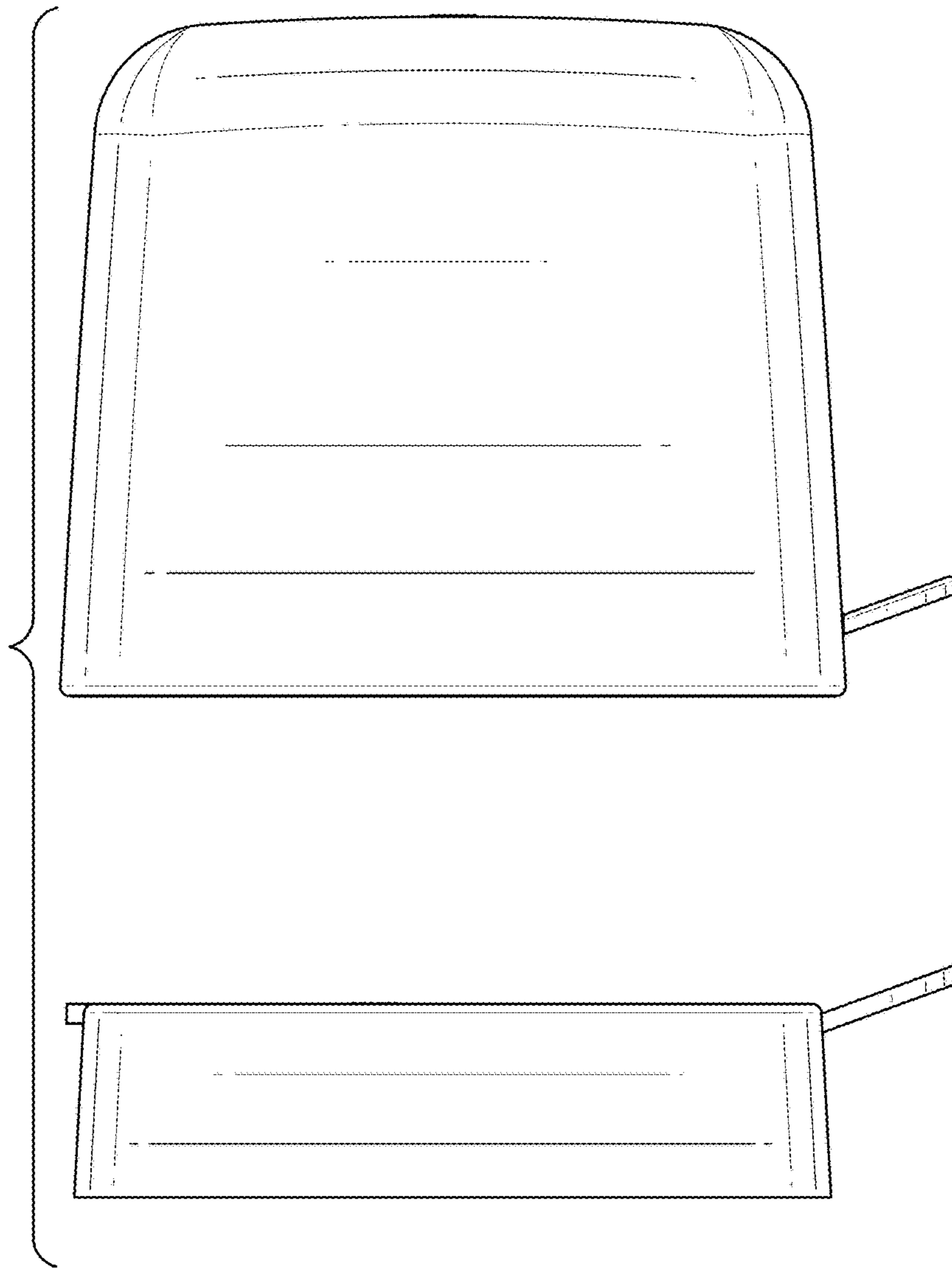


Fig. 6

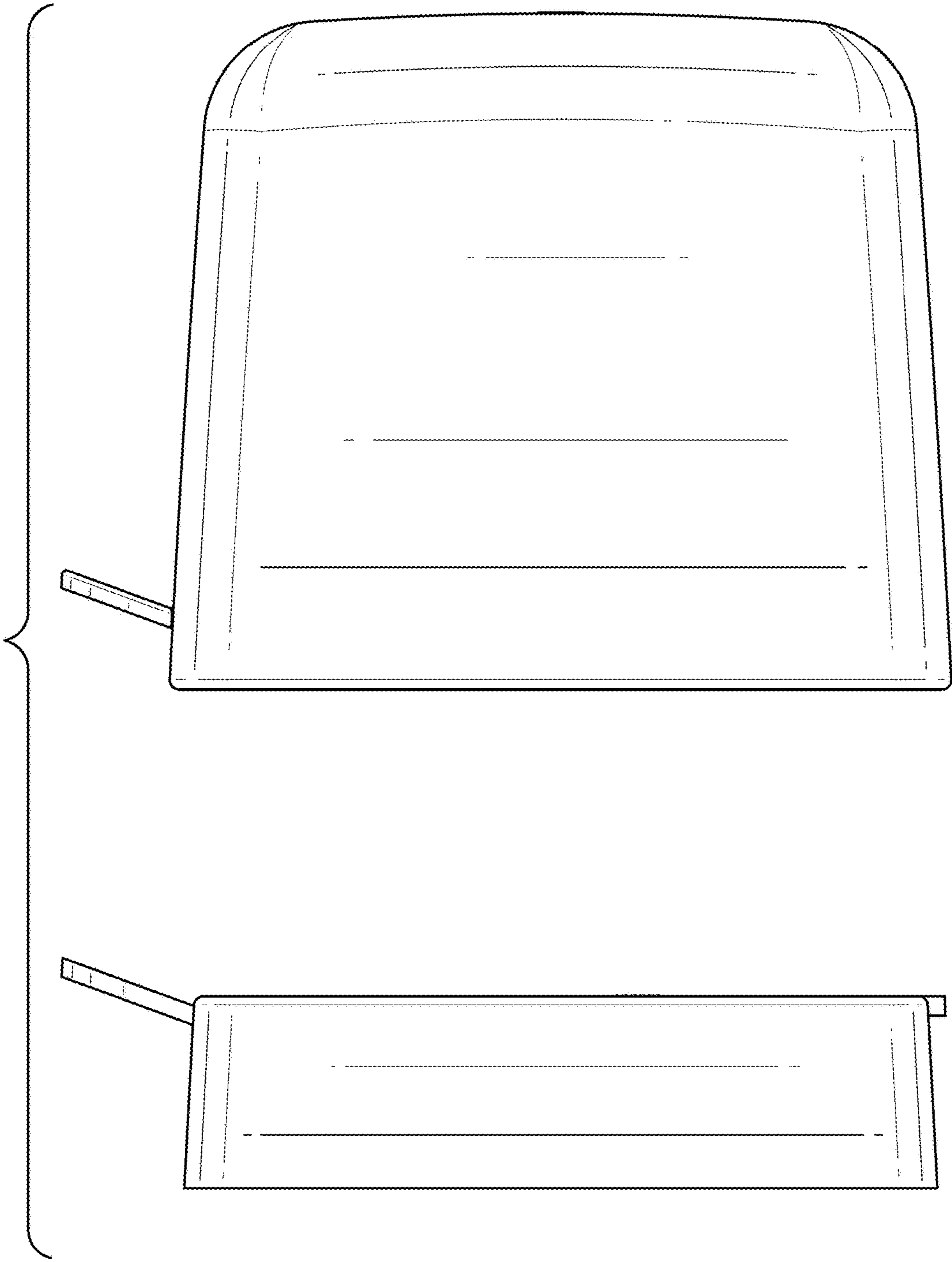


Fig. 7

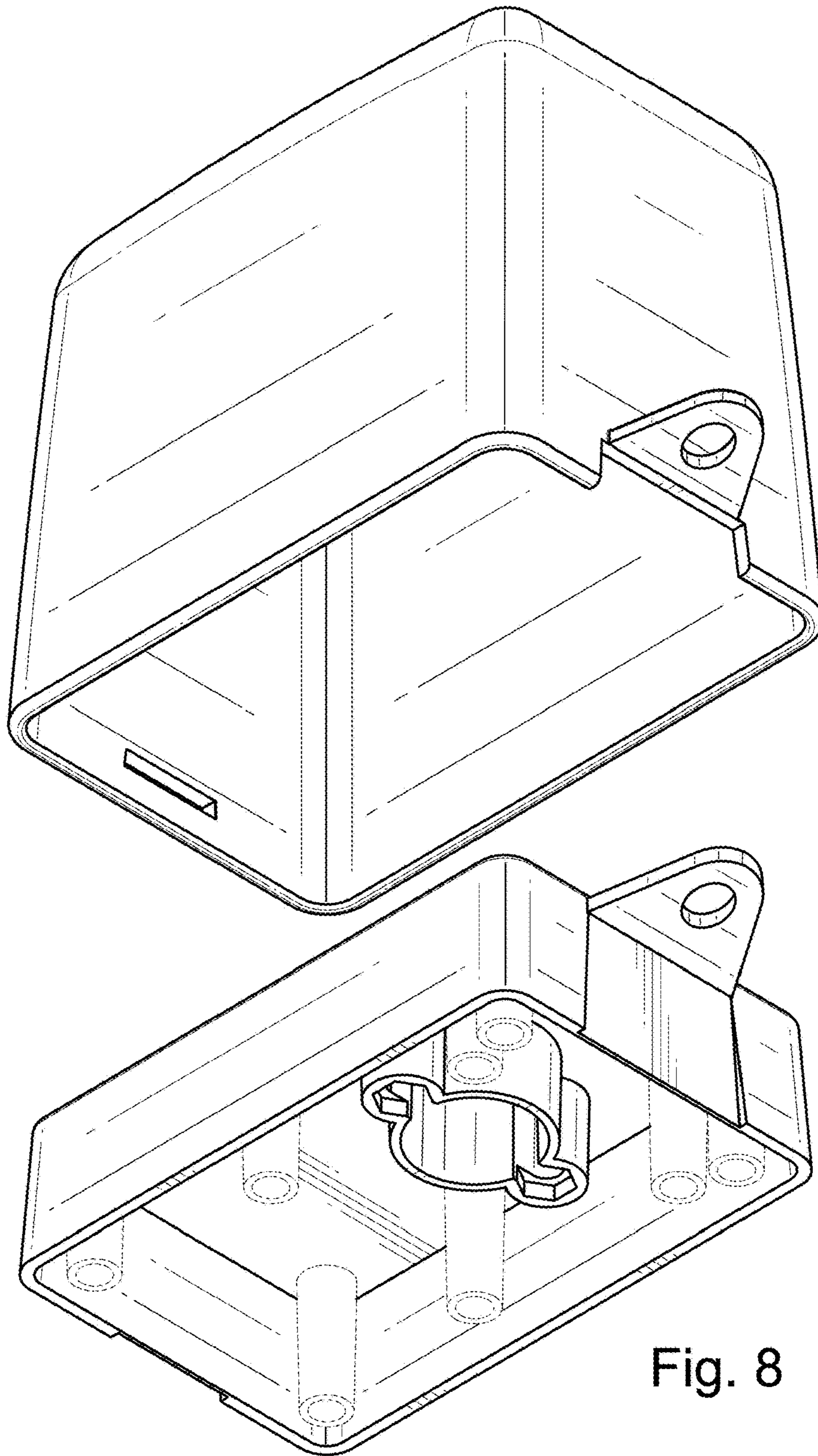


Fig. 8

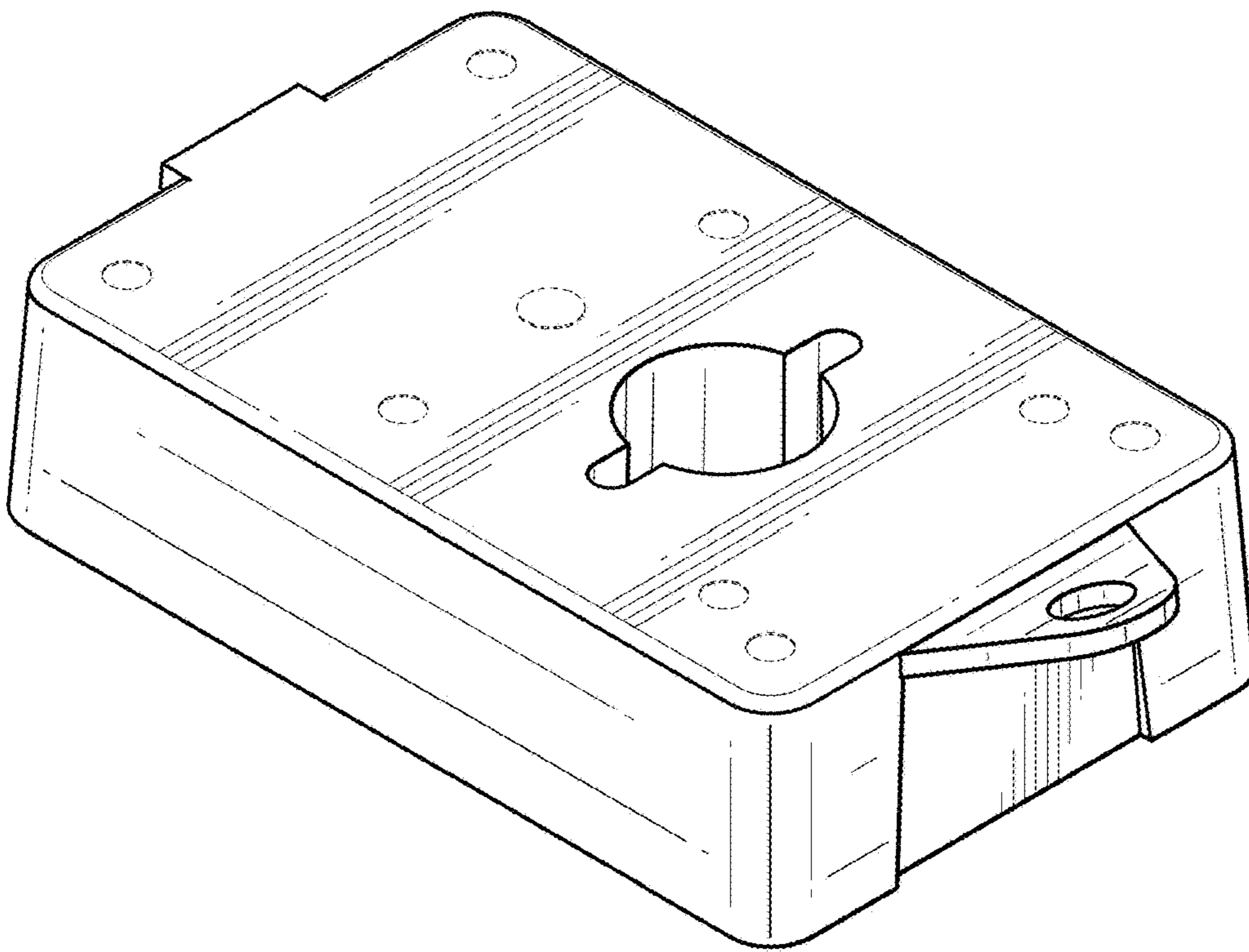


Fig. 9

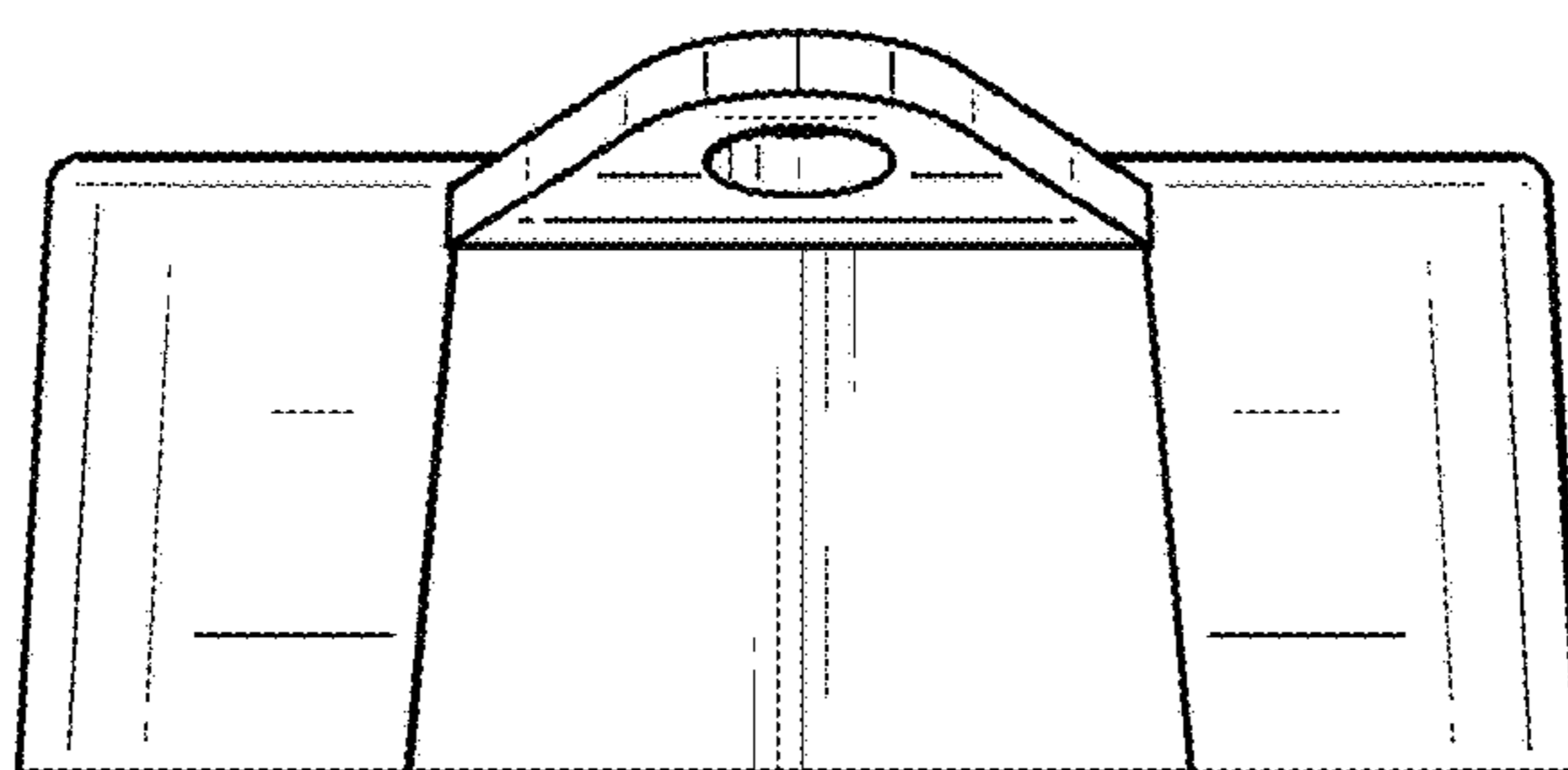


Fig. 10

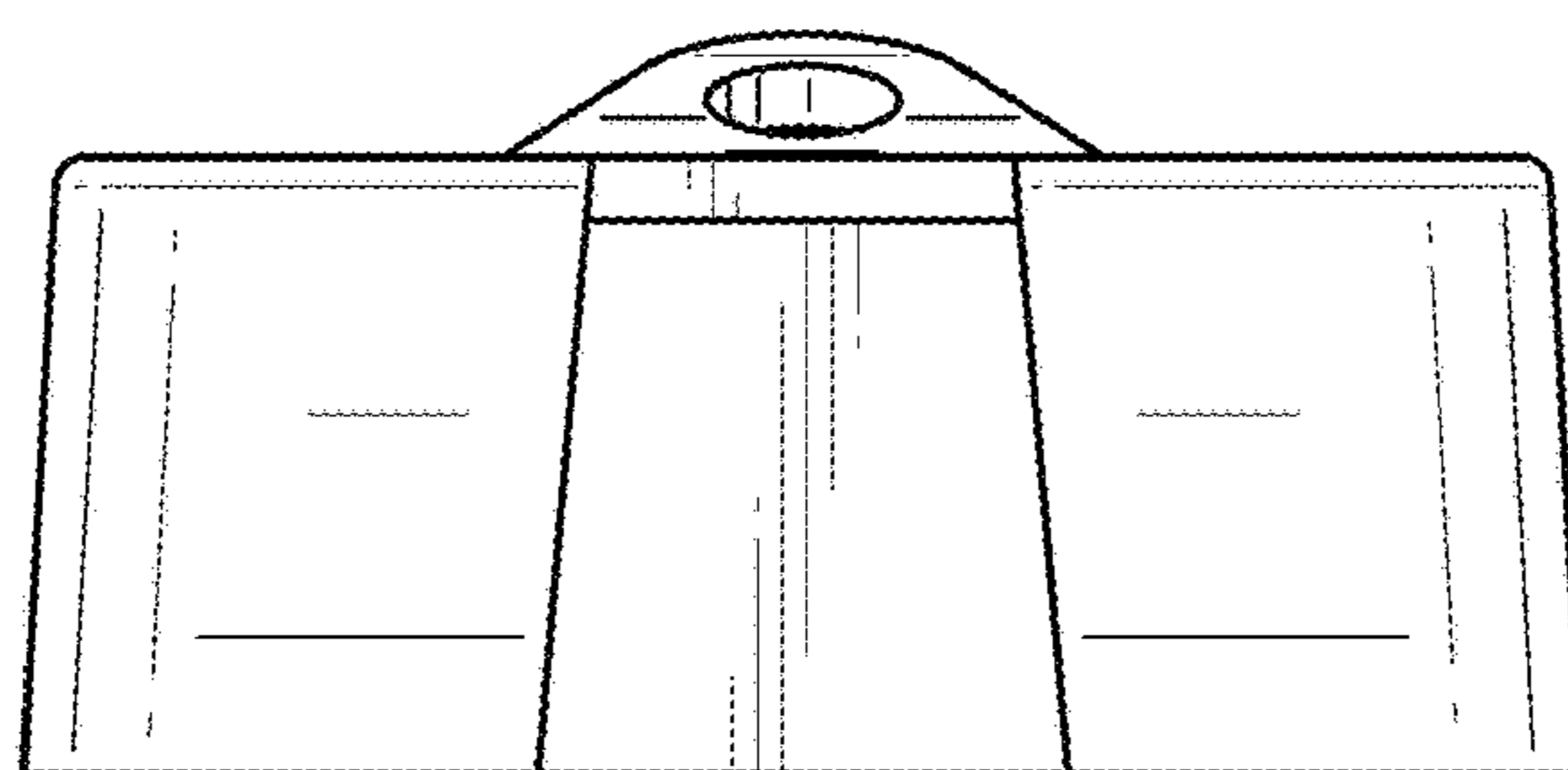


Fig. 11

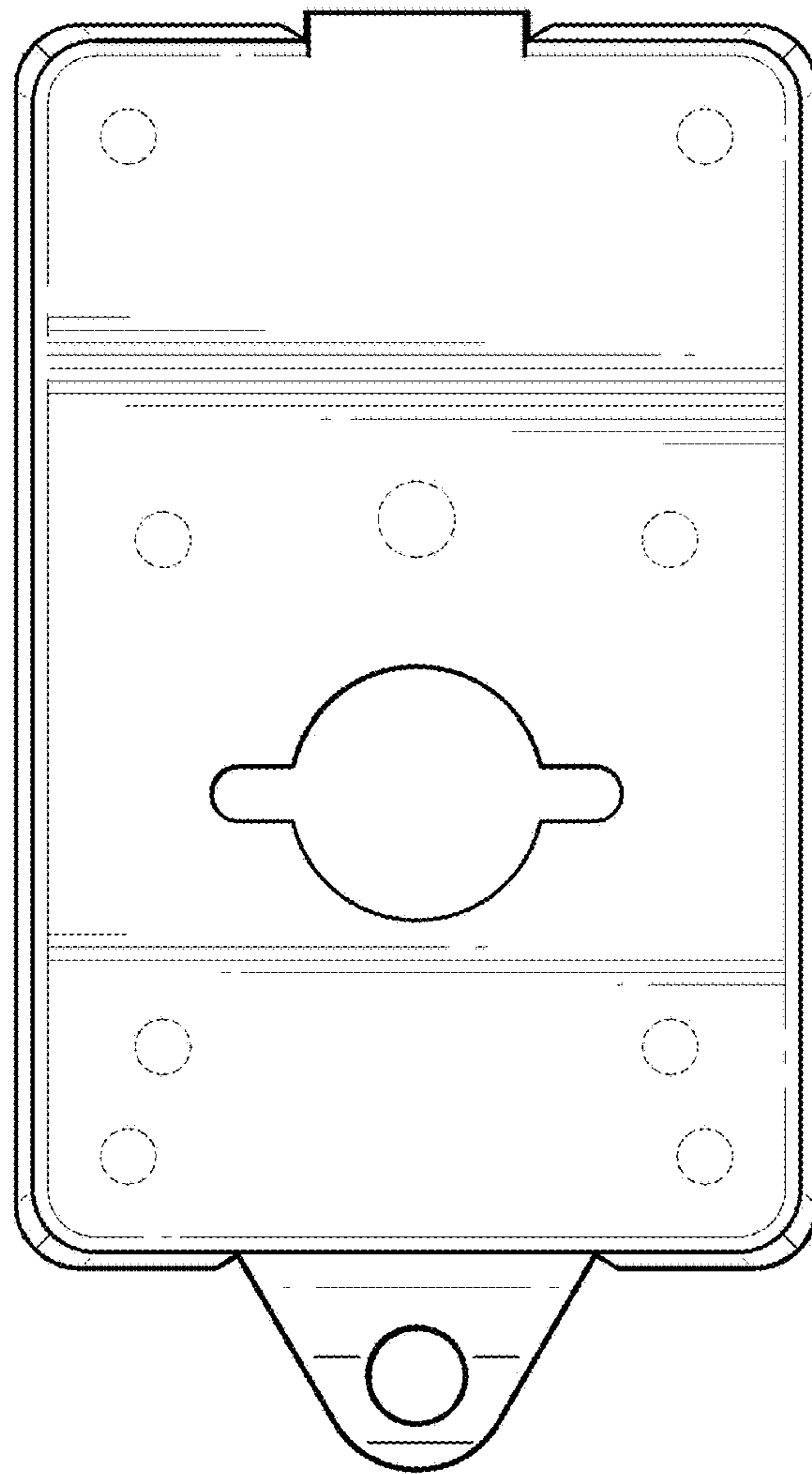


Fig. 12

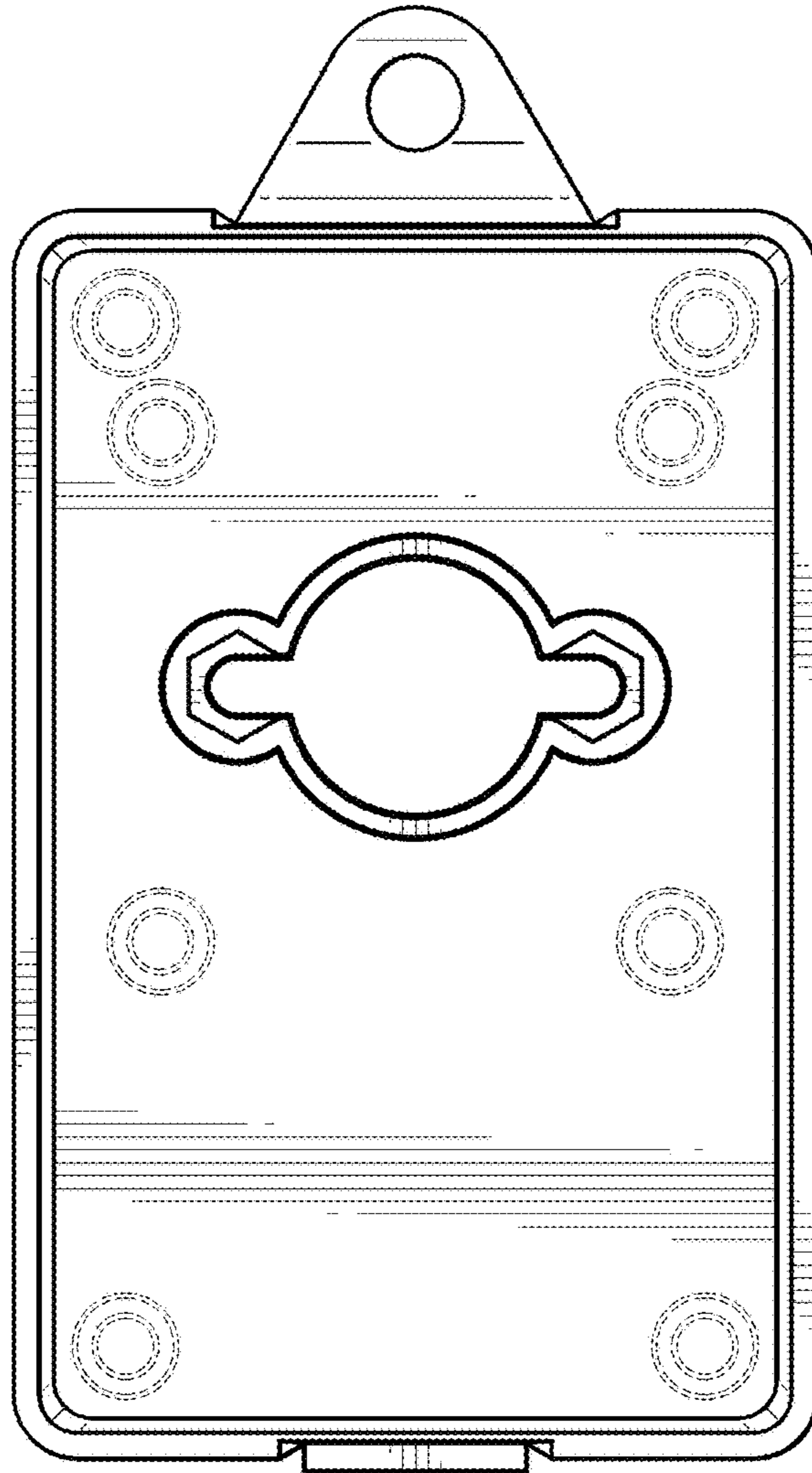


Fig. 13

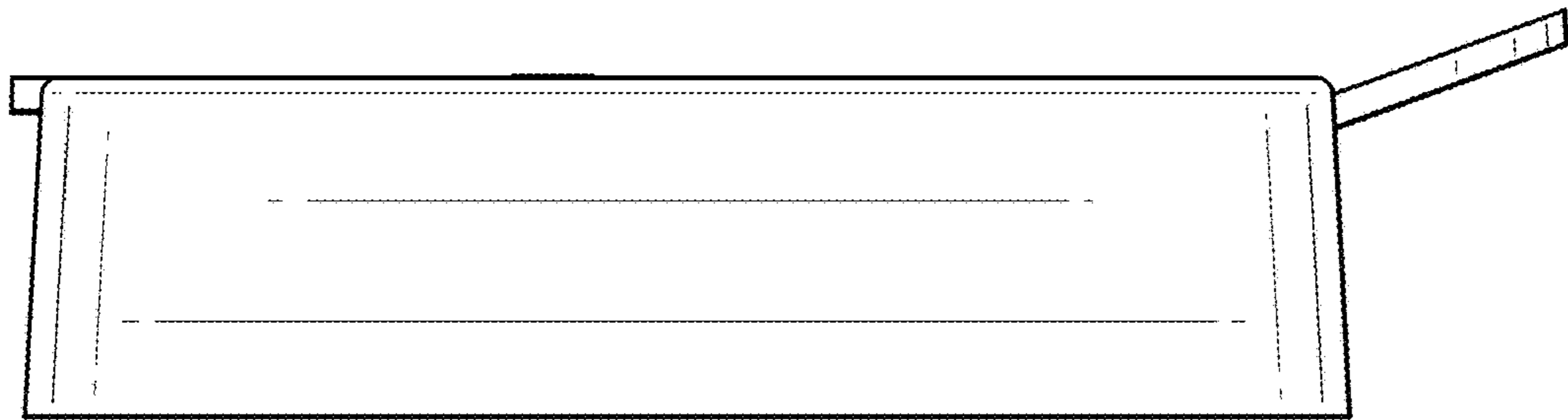


Fig. 14

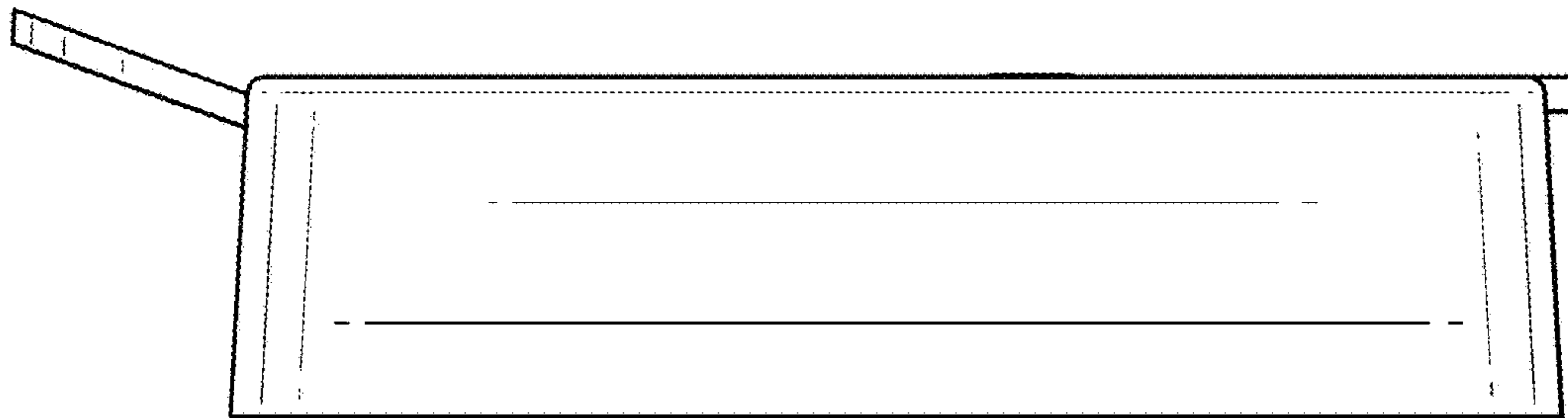


Fig. 15

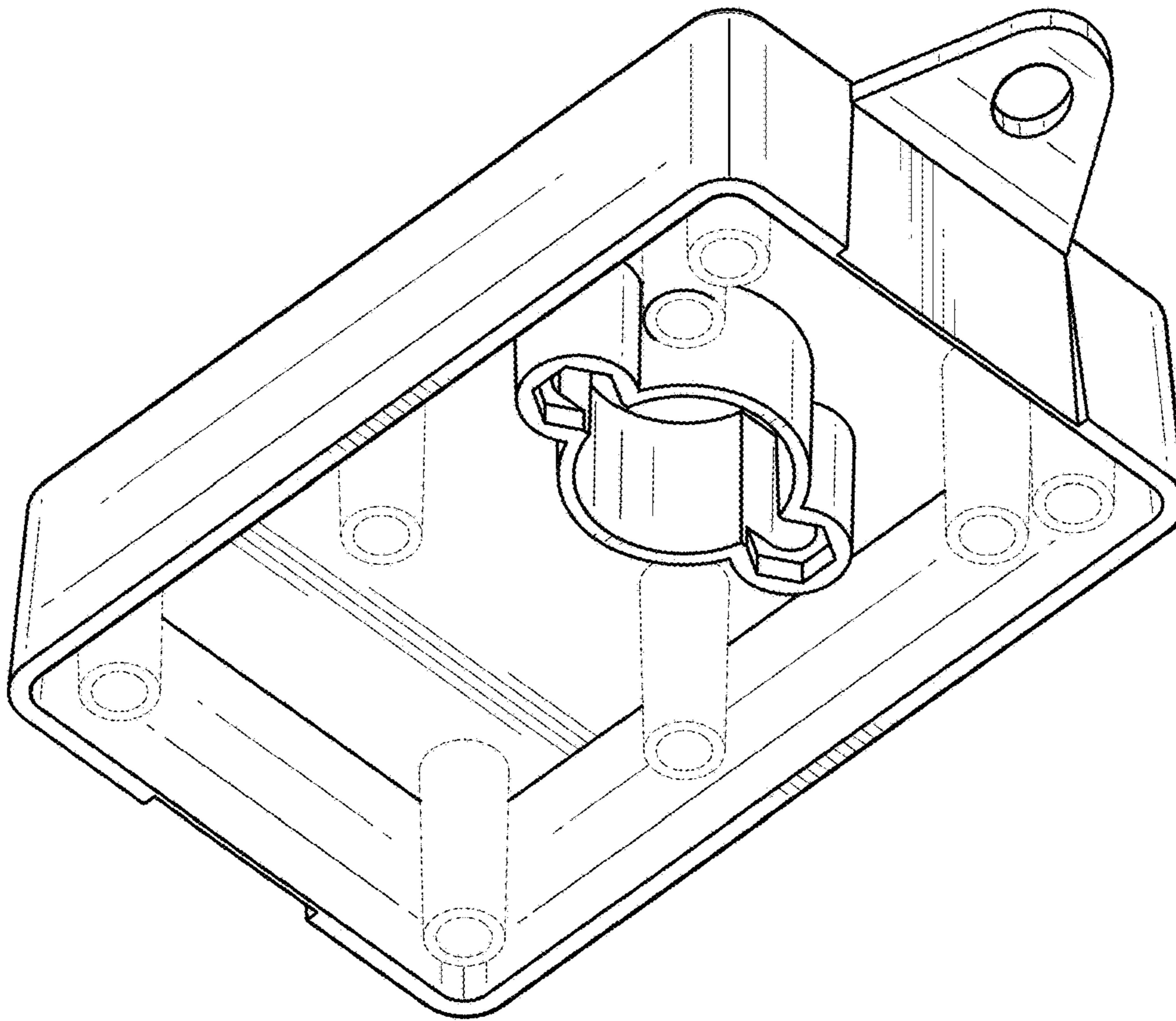


Fig. 16

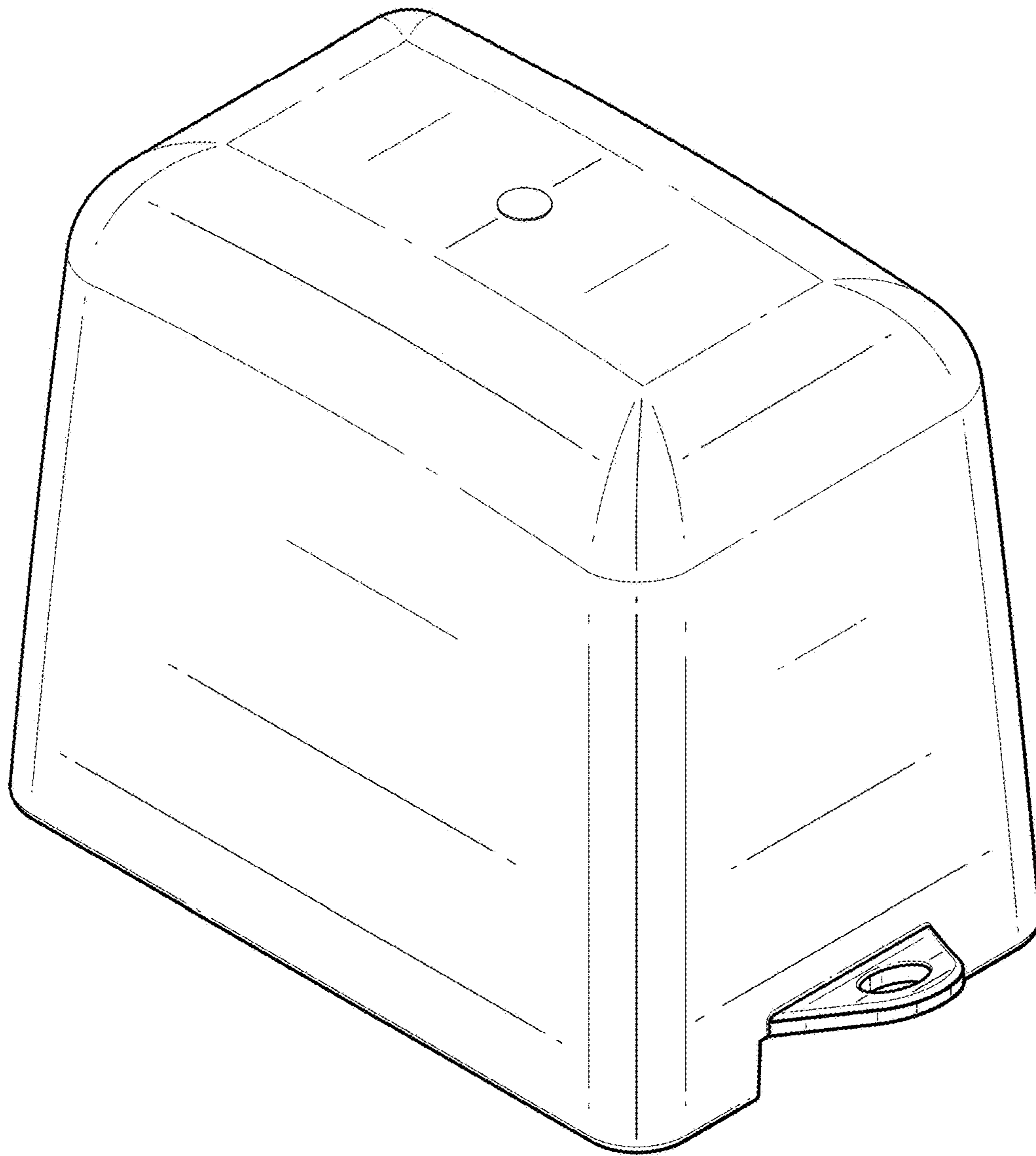


Fig. 17

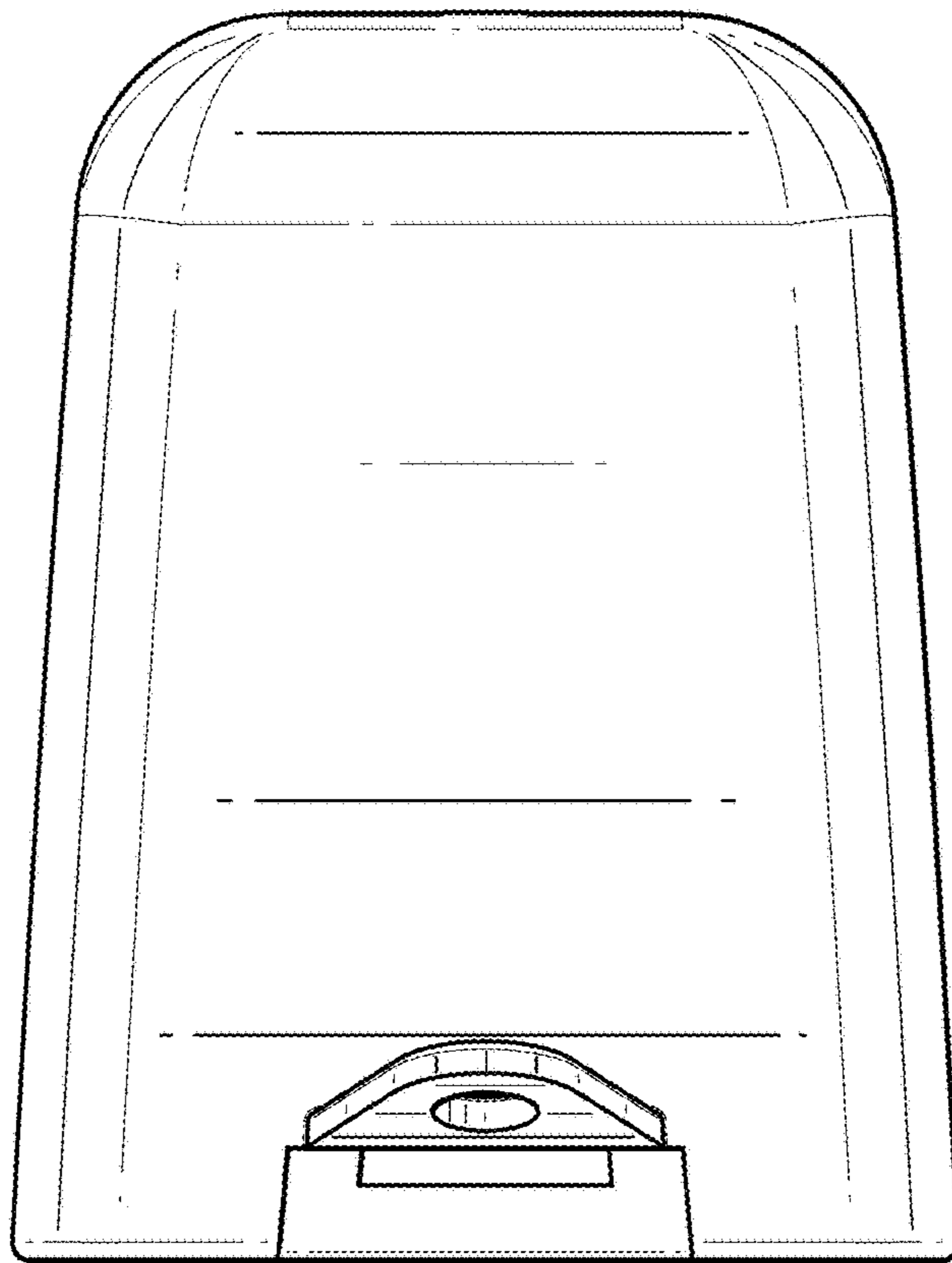


Fig. 18

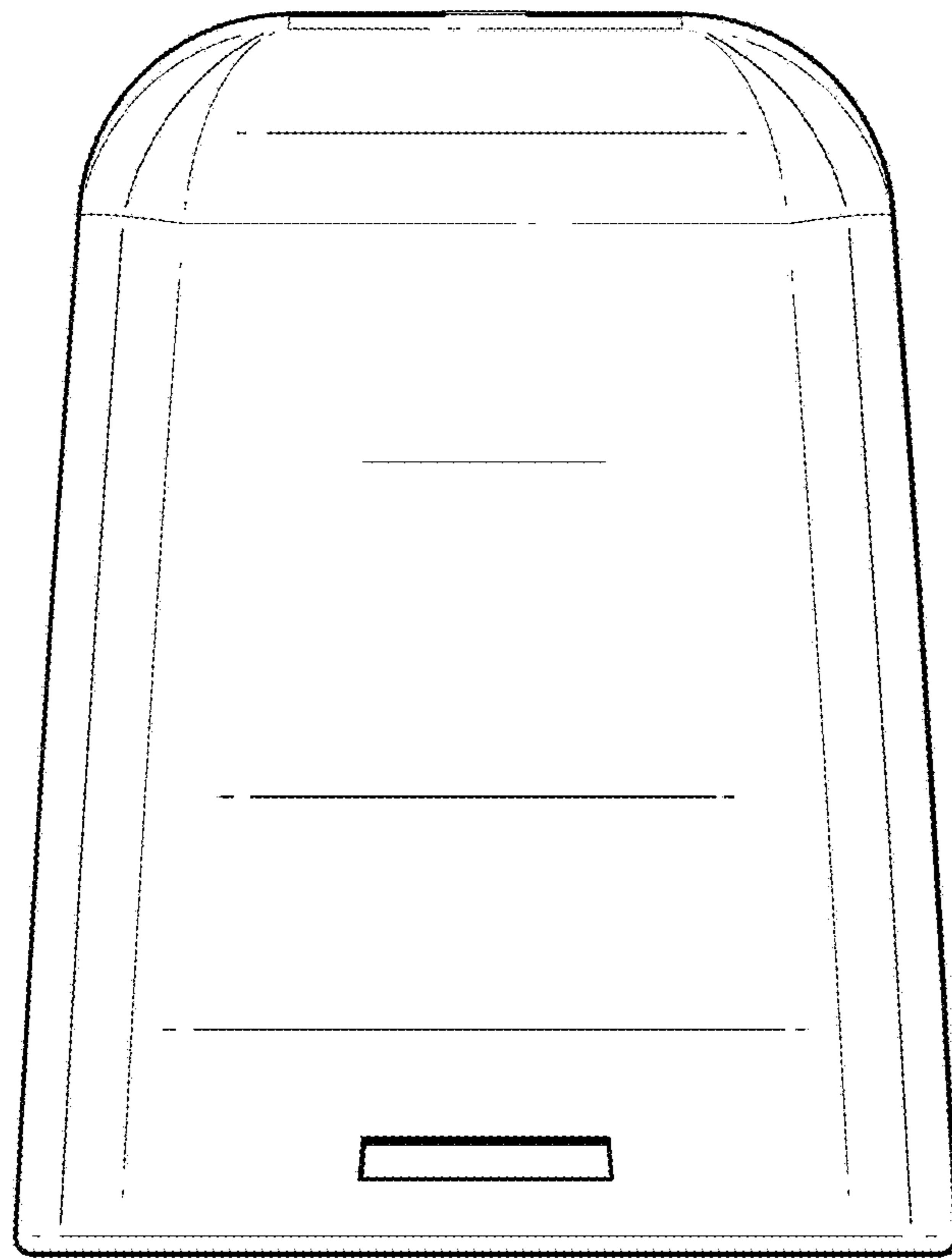


Fig. 19

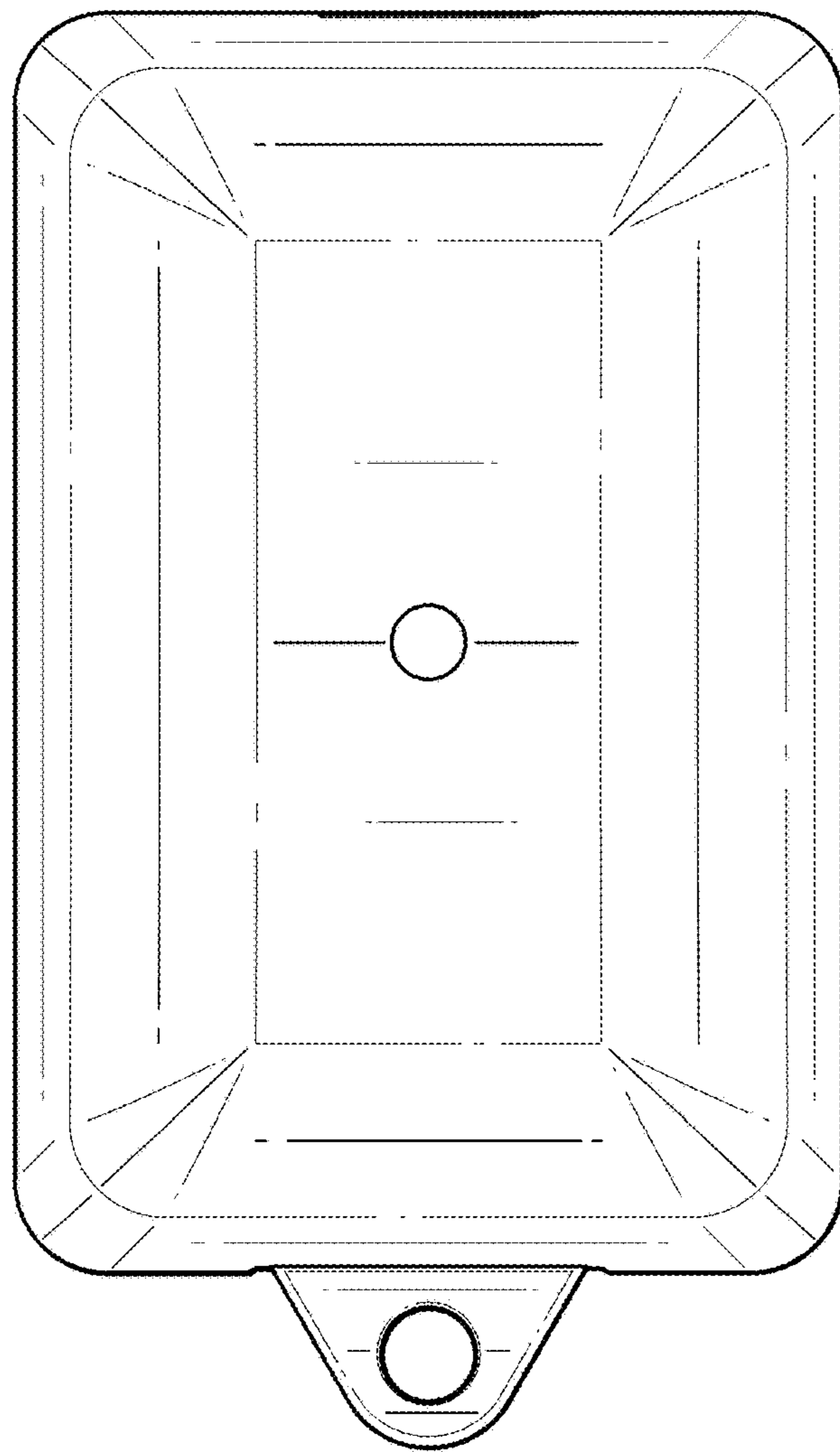


Fig. 20

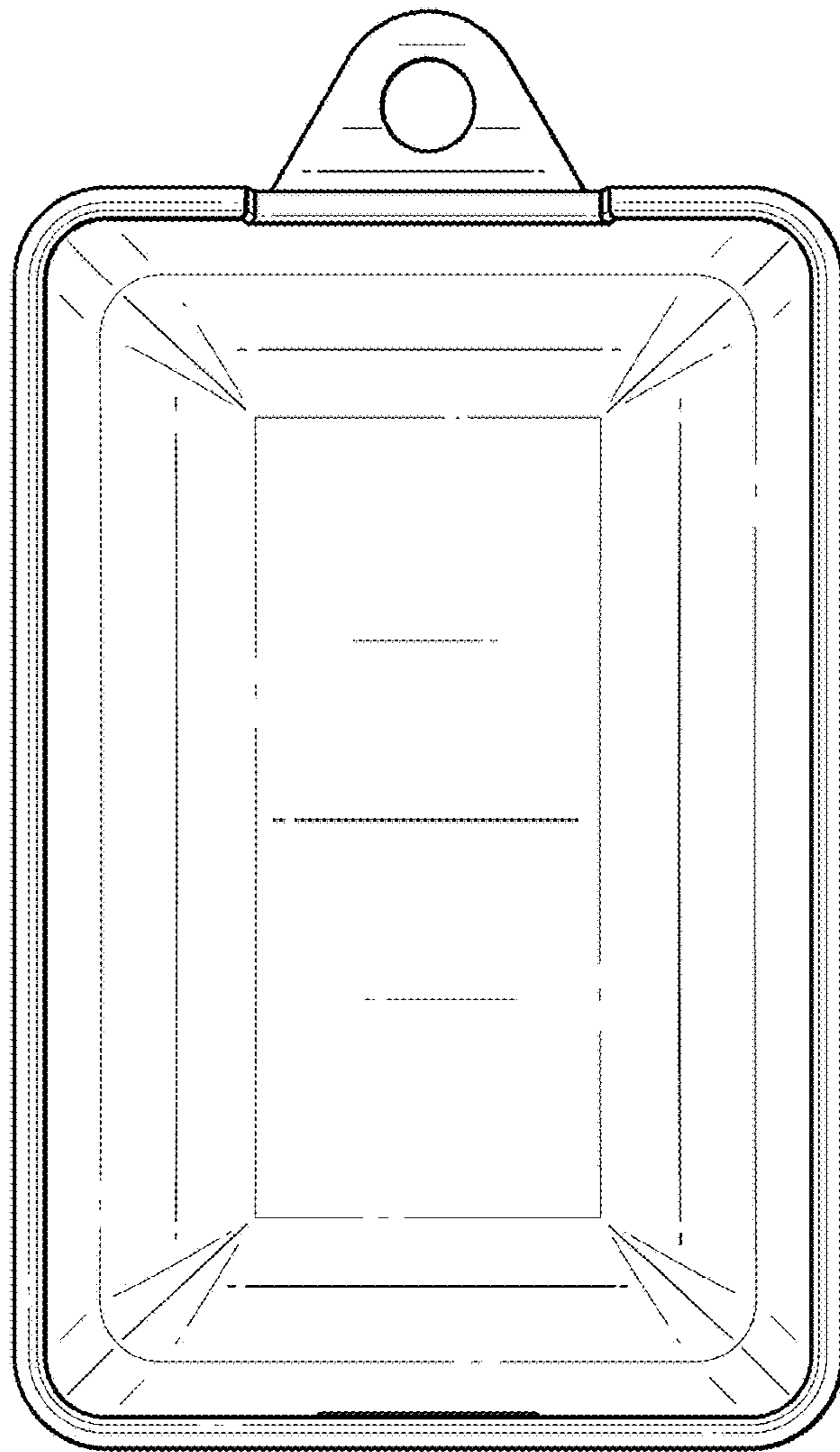


Fig. 21

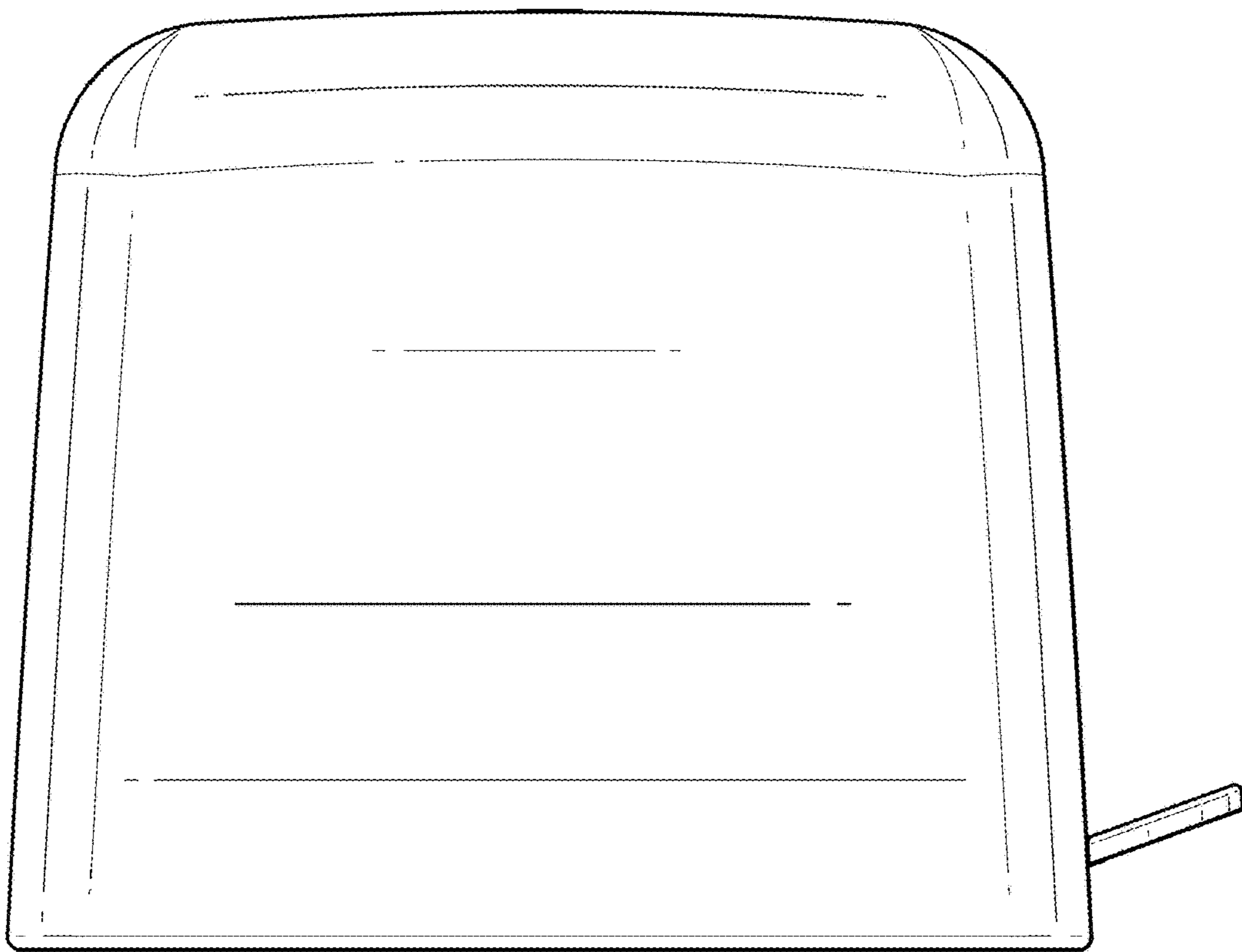


Fig. 22

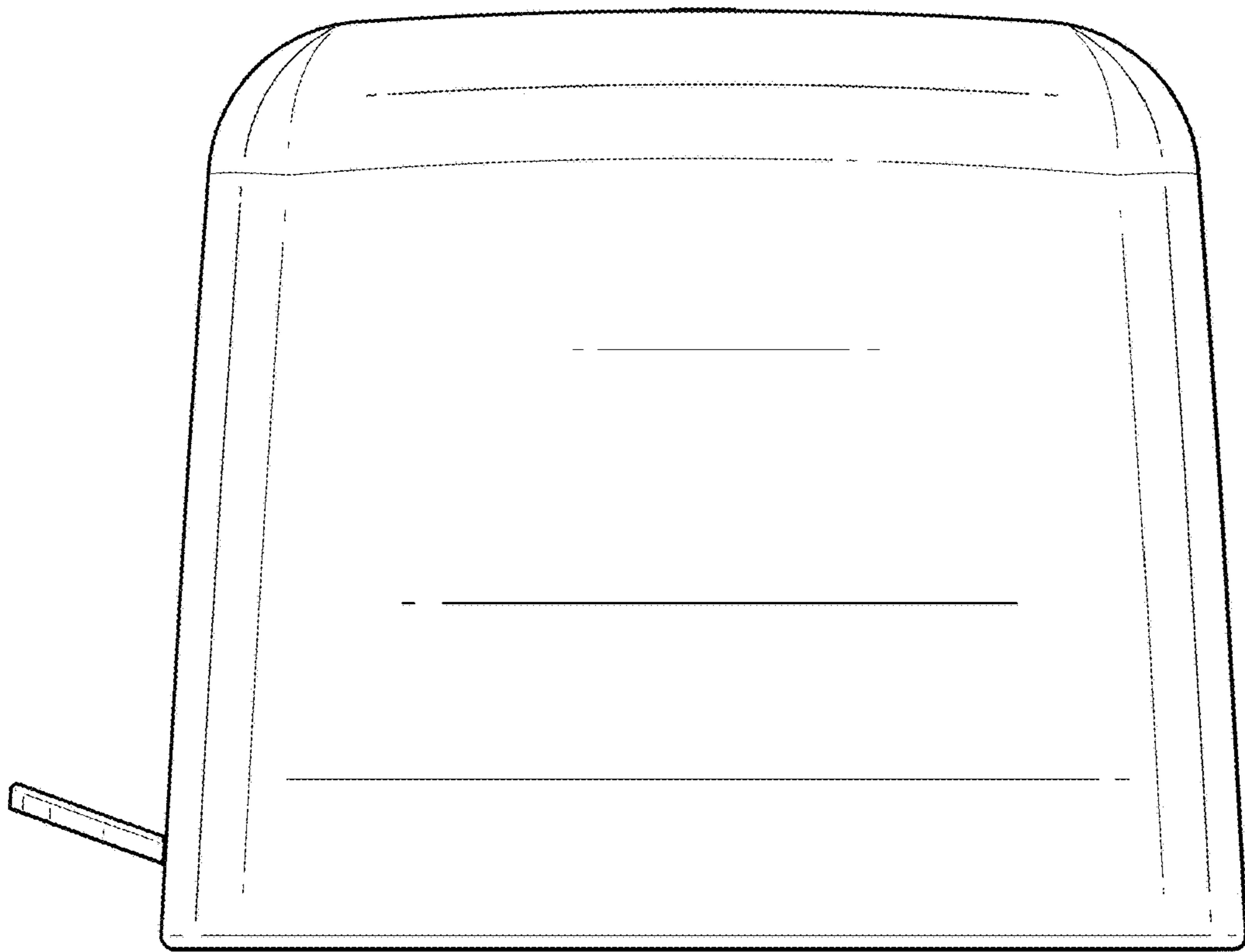


Fig. 23

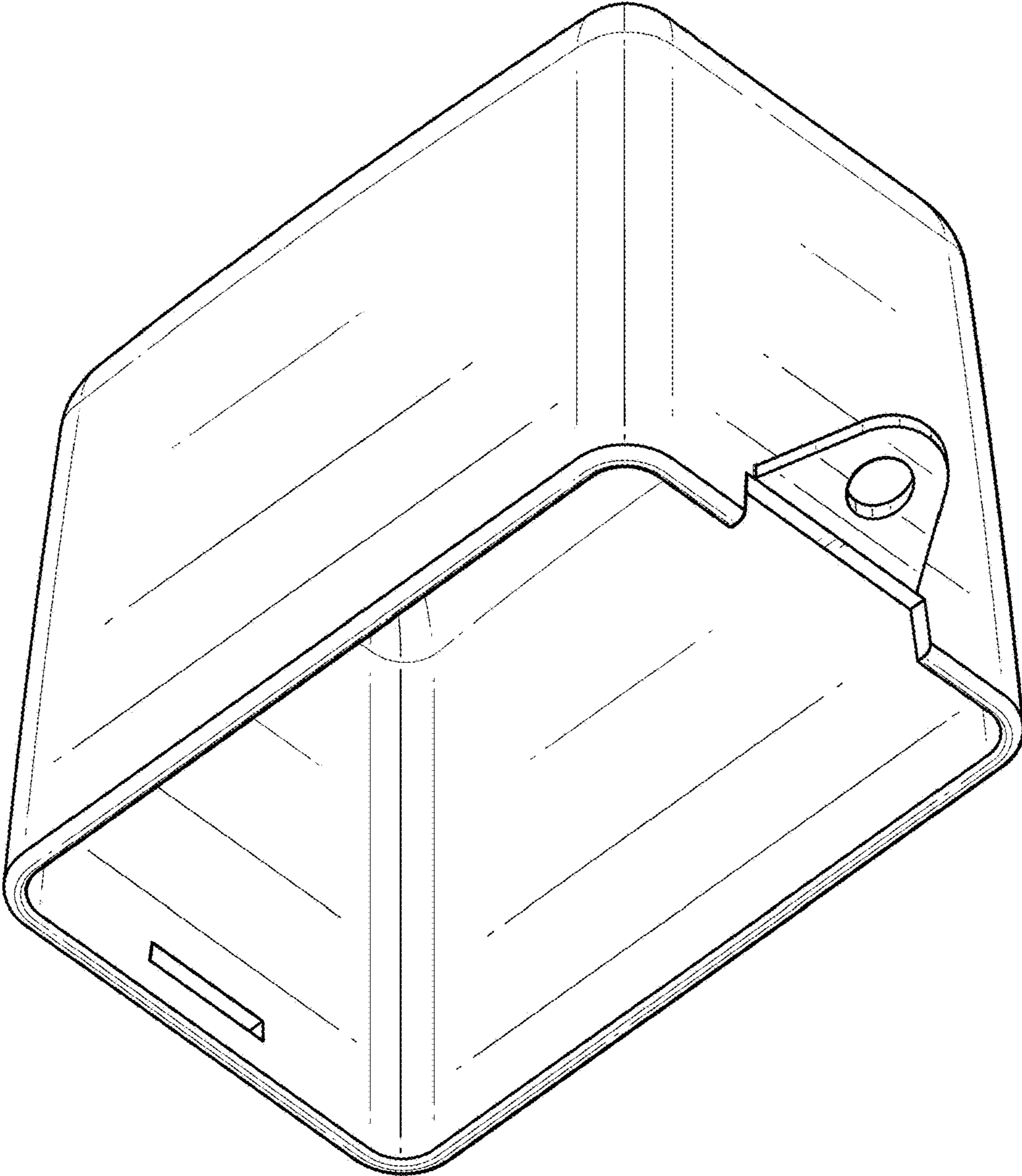


Fig. 24