

US00D857171S

(12) **United States Design Patent** (10) **Patent No.:** **US D857,171 S**  
**Bahler** (45) **Date of Patent:** **\*\* Aug. 20, 2019**

- (54) **FAUCET**
- (71) Applicant: **DELTA FAUCET COMPANY**,  
Indianapolis, IN (US)
- (72) Inventor: **Jordan Bahler**, Frankfort, IN (US)
- (73) Assignee: **DELTA FAUCET COMPANY**,  
Indianapolis, IN (US)
- (\*\*) Term: **15 Years**
- (21) Appl. No.: **29/645,658**
- (22) Filed: **Apr. 27, 2018**
- (51) **LOC (12) Cl.** ..... **23-01**
- (52) **U.S. Cl.**  
USPC ..... **D23/239; D23/238**
- (58) **Field of Classification Search**  
USPC ..... D23/238–243, 249, 255, 257  
CPC ..... E03C 1/04; E03C 1/0401; E03C 1/0402;  
E03C 1/0404; Y10T 137/9464  
See application file for complete search history.

- D692,989 S \* 11/2013 Flowers ..... D23/238
- D713,009 S \* 9/2014 Citterio ..... D23/241
- D717,915 S \* 11/2014 Fritz ..... D23/239
- D757,229 S \* 5/2016 Garland ..... D23/255
- 9,334,633 B2 \* 5/2016 Harris ..... E03C 1/0403
- D790,664 S \* 6/2017 Eads ..... D23/238
- D790,666 S \* 6/2017 Lord ..... D23/239
- D811,530 S \* 2/2018 Schoenherr ..... D23/238

\* cited by examiner

*Primary Examiner* — Eric L Goodman  
*Assistant Examiner* — Amy C Wierenga

(74) *Attorney, Agent, or Firm* — Edgar A. Zarins; Nirav D. Parikh

(57) **CLAIM**

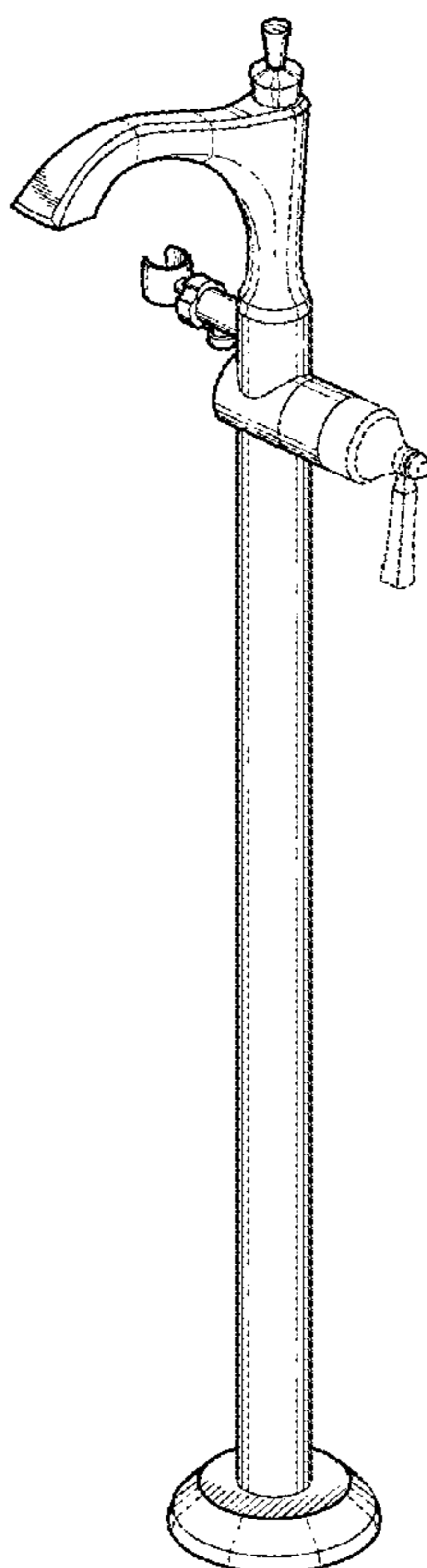
The ornamental design for a faucet, as shown and described.

**DESCRIPTION**

FIG. 1 is a perspective view of a faucet showing my new design;  
 FIG. 2 is a front elevational view thereof;  
 FIG. 3 is a right side view thereof;  
 FIG. 4 is a left side view thereof;  
 FIG. 5 is a top plan view thereof; and,  
 FIG. 6 is a bottom view thereof.  
 The broken-line disclosure in the view represents a portion of the faucet in which the claimed design is embodied, but which forms no part of the claimed design.

**1 Claim, 3 Drawing Sheets**

- (56) **References Cited**  
U.S. PATENT DOCUMENTS  
D461,529 S \* 8/2002 Gottwald ..... D23/238  
D529,580 S \* 10/2006 Shieh ..... D23/238  
D681,168 S \* 4/2013 Romero ..... D23/238



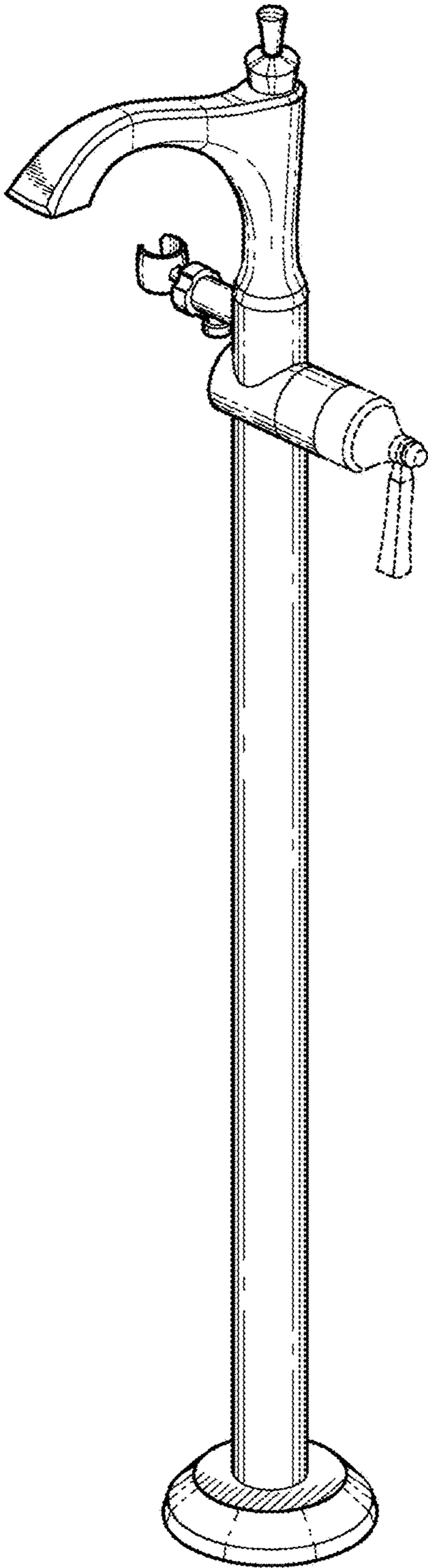


Fig-1

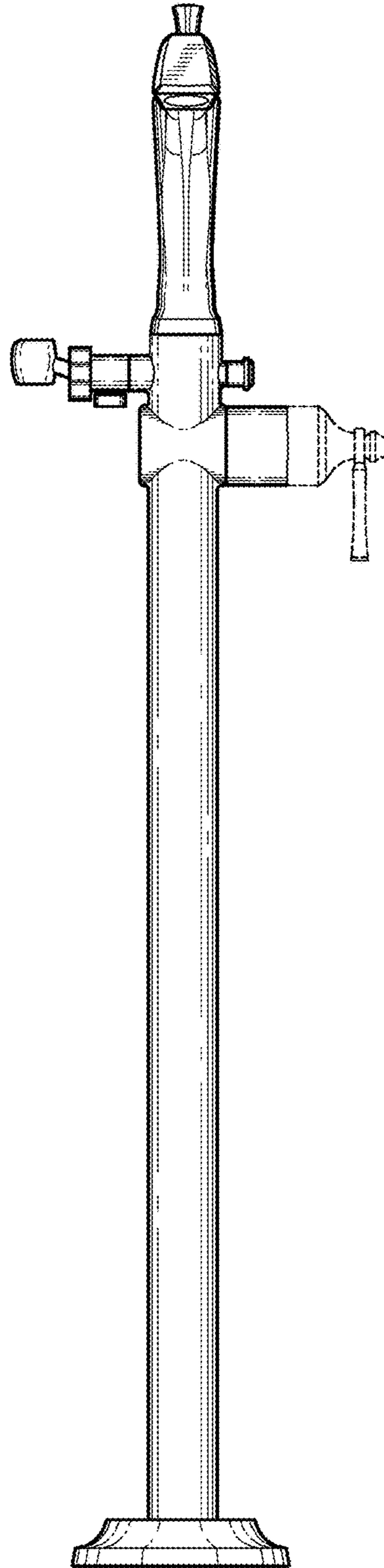


Fig-2

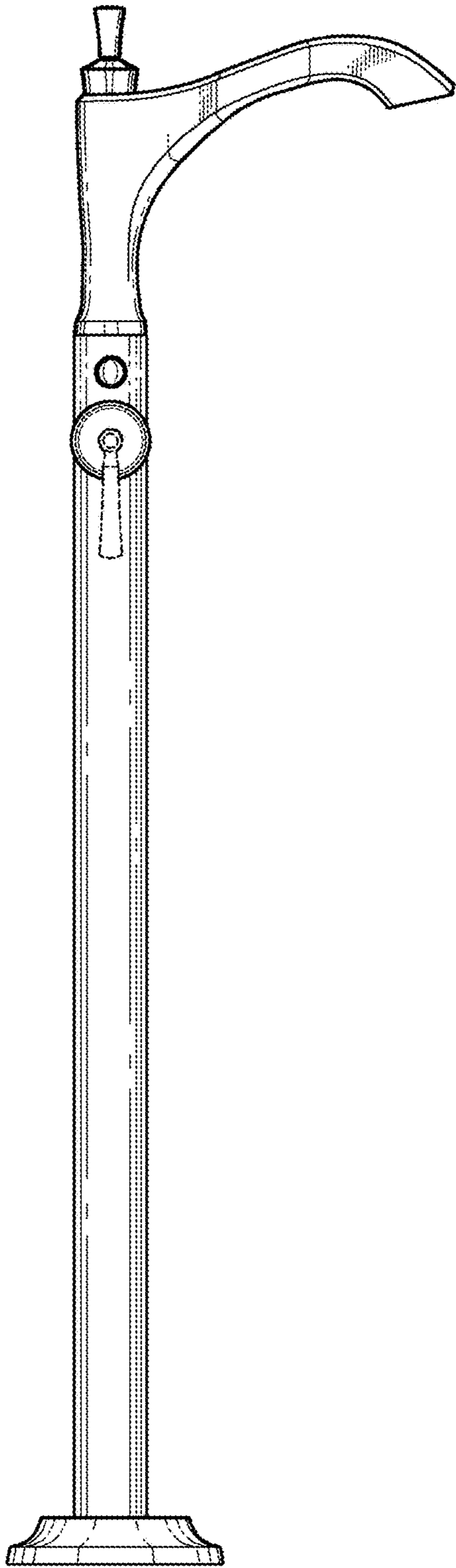


Fig-3

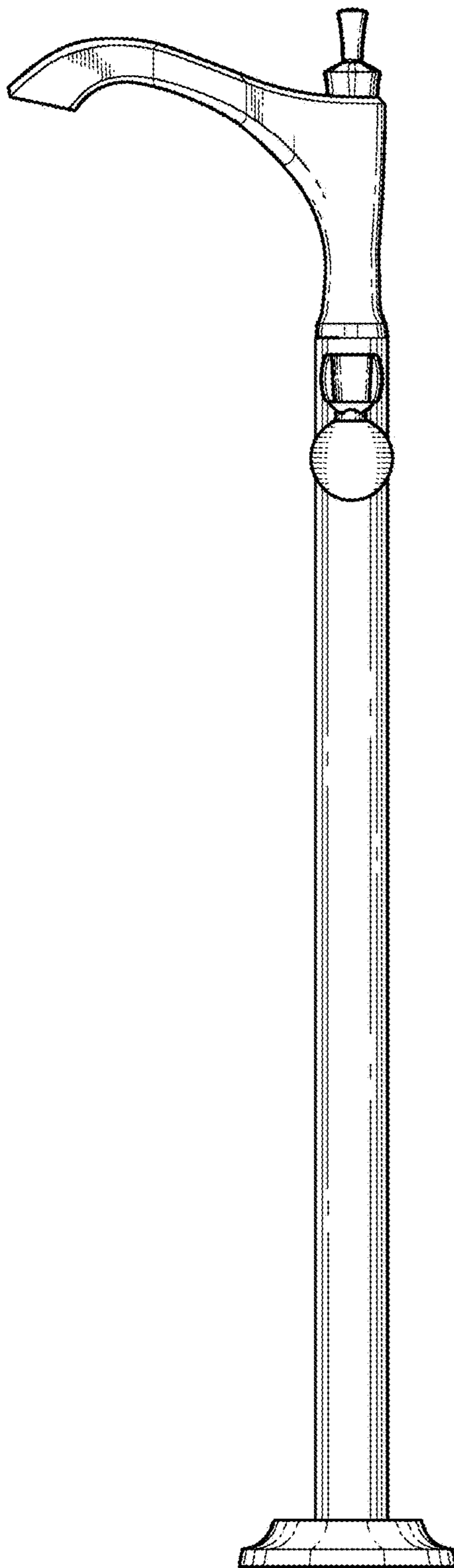


Fig-4

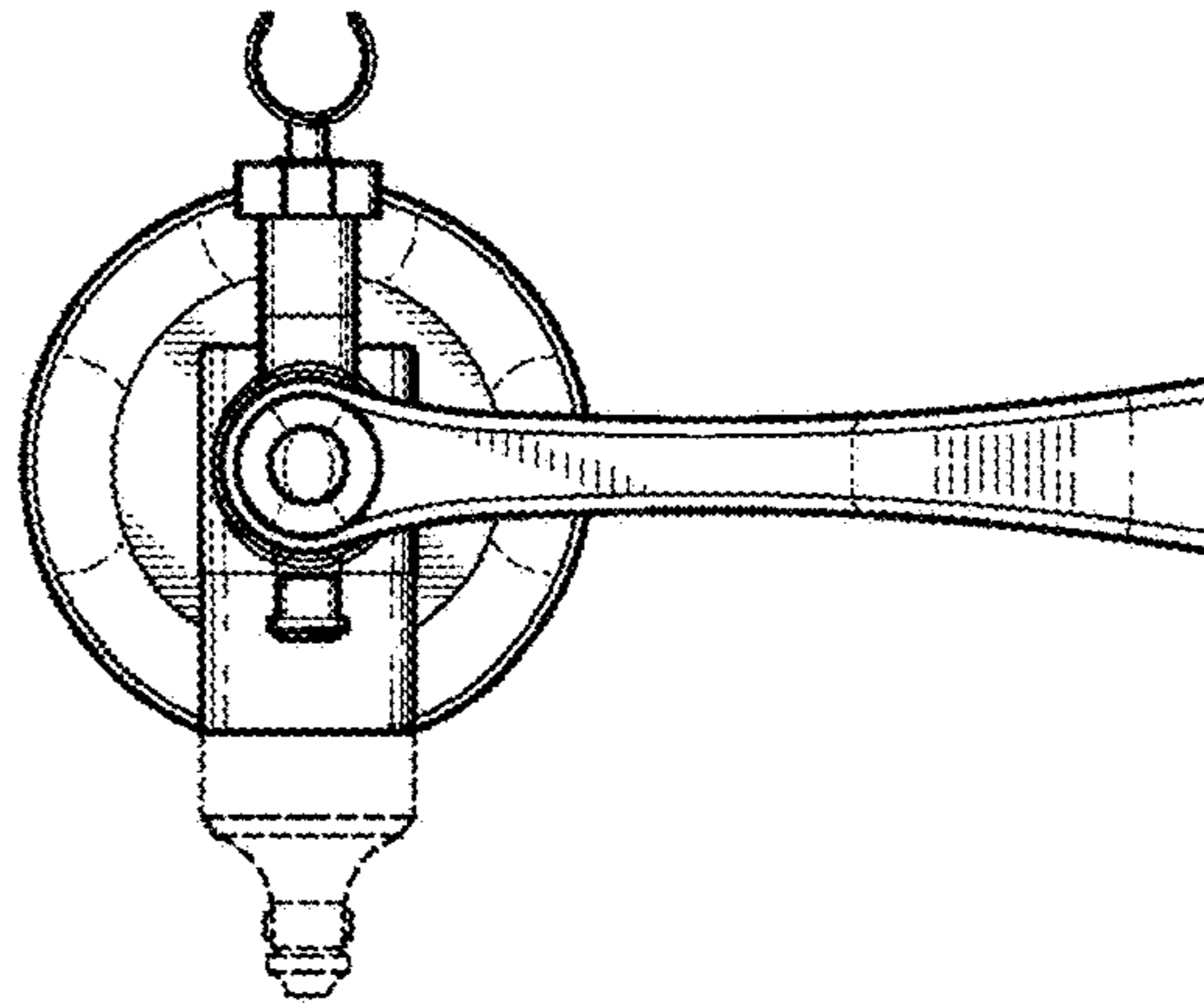


Fig-5

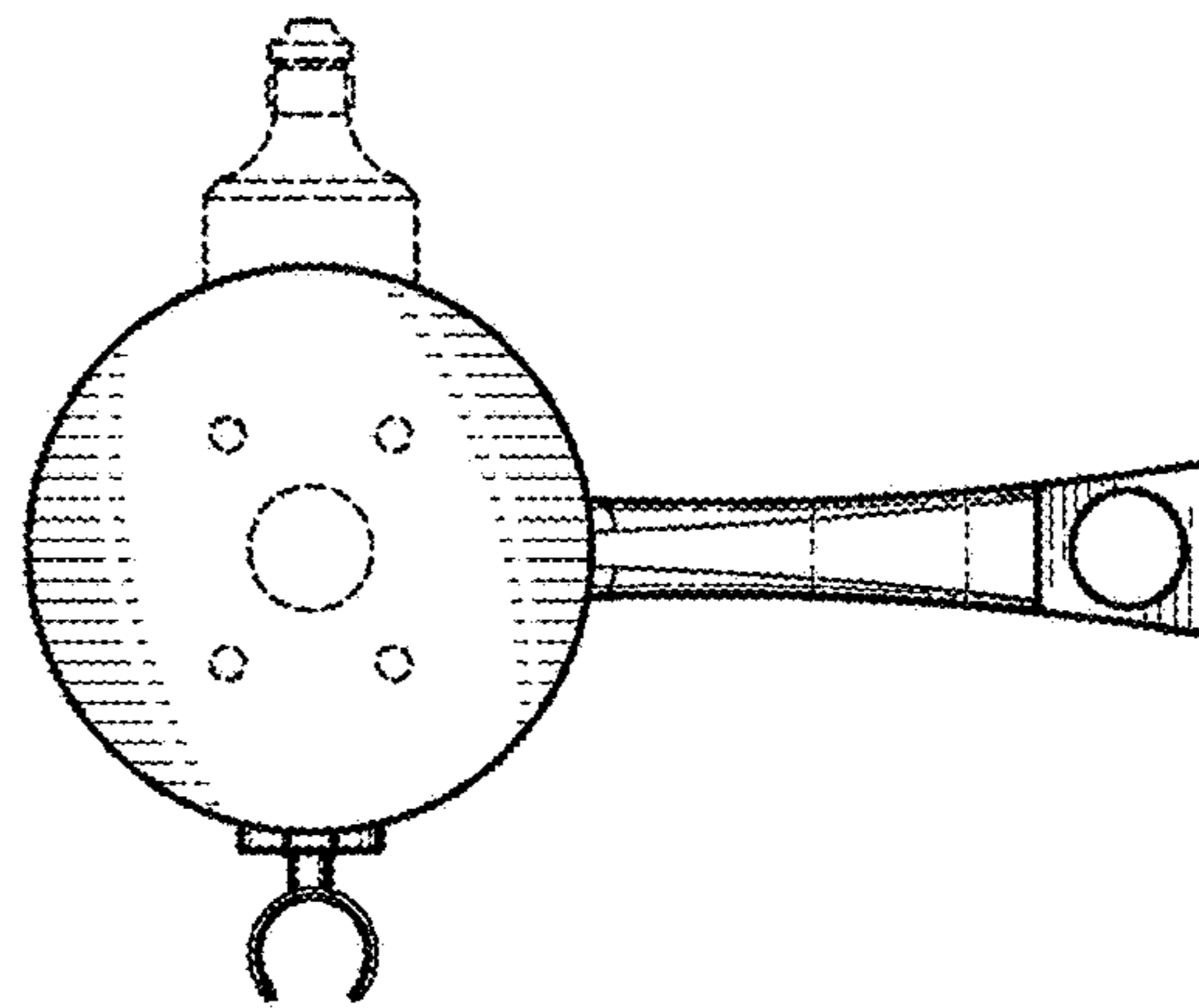


Fig-6