



US00D857170S

(12) **United States Design Patent**  
**Feng**

(10) **Patent No.:** **US D857,170 S**

(45) **Date of Patent:** **\*\* Aug. 20, 2019**

(54) **FAUCET**

(71) Applicant: **Yadong Feng**, Suzhou (CN)

(72) Inventor: **Yadong Feng**, Suzhou (CN)

(\*\*) Term: **15 Years**

(21) Appl. No.: **29/677,998**

(22) Filed: **Jan. 25, 2019**

(51) **LOC (12) Cl.** ..... **23-01**

(52) **U.S. Cl.**

USPC ..... **D23/238**; D23/256

(58) **Field of Classification Search**

USPC ..... D23/238-243, 249, 255, 257, 250, 252,  
D23/254; D8/307-308; D6/550

CPC ..... F16K 31/60; F16K 31/602; F16K 31/605;  
F16K 31/607; E03C 1/0412

See application file for complete search history.

D567,912 S *	4/2008	Juratovac .....	D23/255
D583,438 S *	12/2008	Spangler .....	D23/238
D606,169 S *	12/2009	Lammel .....	D23/242
D676,530 S *	2/2013	Kwok .....	D23/252
D699,969 S *	2/2014	Cahill .....	D6/550
D751,181 S *	3/2016	Gilbert .....	D23/255
D793,533 S *	8/2017	Fritz .....	D23/242
D817,460 S *	5/2018	Zhang .....	D23/254
D823,987 S	7/2018	Downey et al.	
2004/0011987 A1 *	1/2004	Ortega, Jr. ....	F16K 31/602 251/291

\* cited by examiner

*Primary Examiner* — Robert A Delehanty

(74) *Attorney, Agent, or Firm* — KA Filing LLC; Wayne V. Harper

(57) **CLAIM**

I claim the ornamental design for a faucet, as shown and described.

(56) **References Cited**

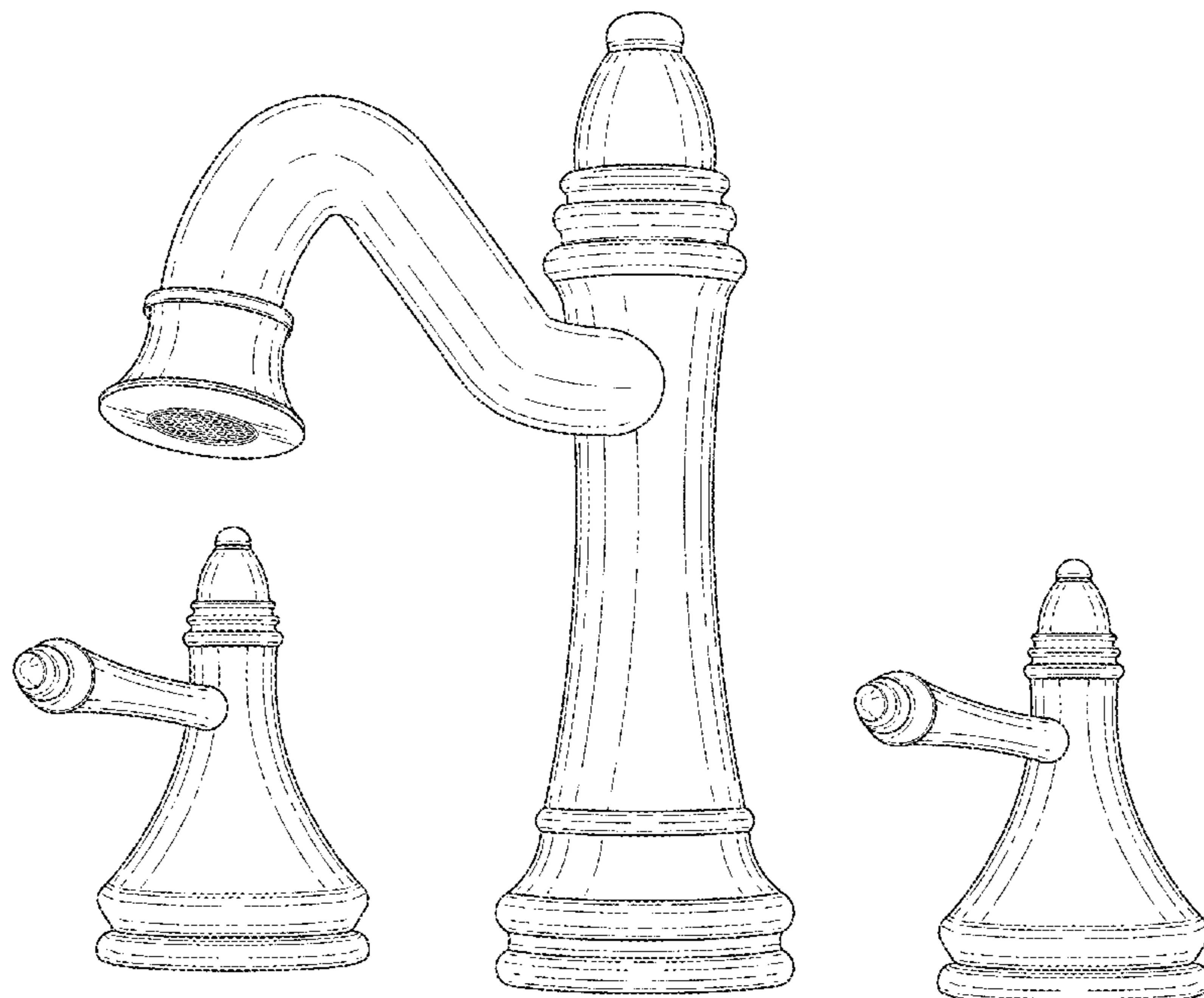
**U.S. PATENT DOCUMENTS**

D293,362 S *	12/1987	Hill .....	D23/241
D400,651 S *	11/1998	Hundley .....	D23/254
D454,457 S *	3/2002	Ou-Young .....	D6/546
D458,346 S *	6/2002	Mullenmeister .....	D23/250
D462,742 S	9/2002	Lord	
D463,533 S	9/2002	Ko	
D465,559 S	11/2002	Chen	
D466,746 S *	12/2002	Chen .....	D6/550
D490,501 S *	5/2004	Ouyoung .....	D23/252
D509,571 S *	9/2005	Green .....	D23/255
D532,083 S	11/2006	Green	
D542,383 S *	5/2007	Chu .....	D23/241
D556,010 S *	11/2007	Hsui .....	D8/308
D564,635 S *	3/2008	Hsui .....	D23/255

**DESCRIPTION**

FIG. 1 is a perspective view of a faucet showing my new design;  
FIG. 2 is a front side view of the faucet as shown in FIG. 1;  
FIG. 3 is a back-side view of the faucet as shown in FIG. 1;  
FIG. 4 is a left-side view of the faucet as shown in FIG. 1;  
FIG. 5 is a right-side view of the faucet as shown in FIG. 1;  
FIG. 6 is a top view of the faucet as shown in FIG. 1; and,  
FIG. 7 is a bottom view of the faucet as shown in FIG. 1.  
The broken lines are only for environmental purposes and form no part of the claimed design.

**1 Claim, 7 Drawing Sheets**



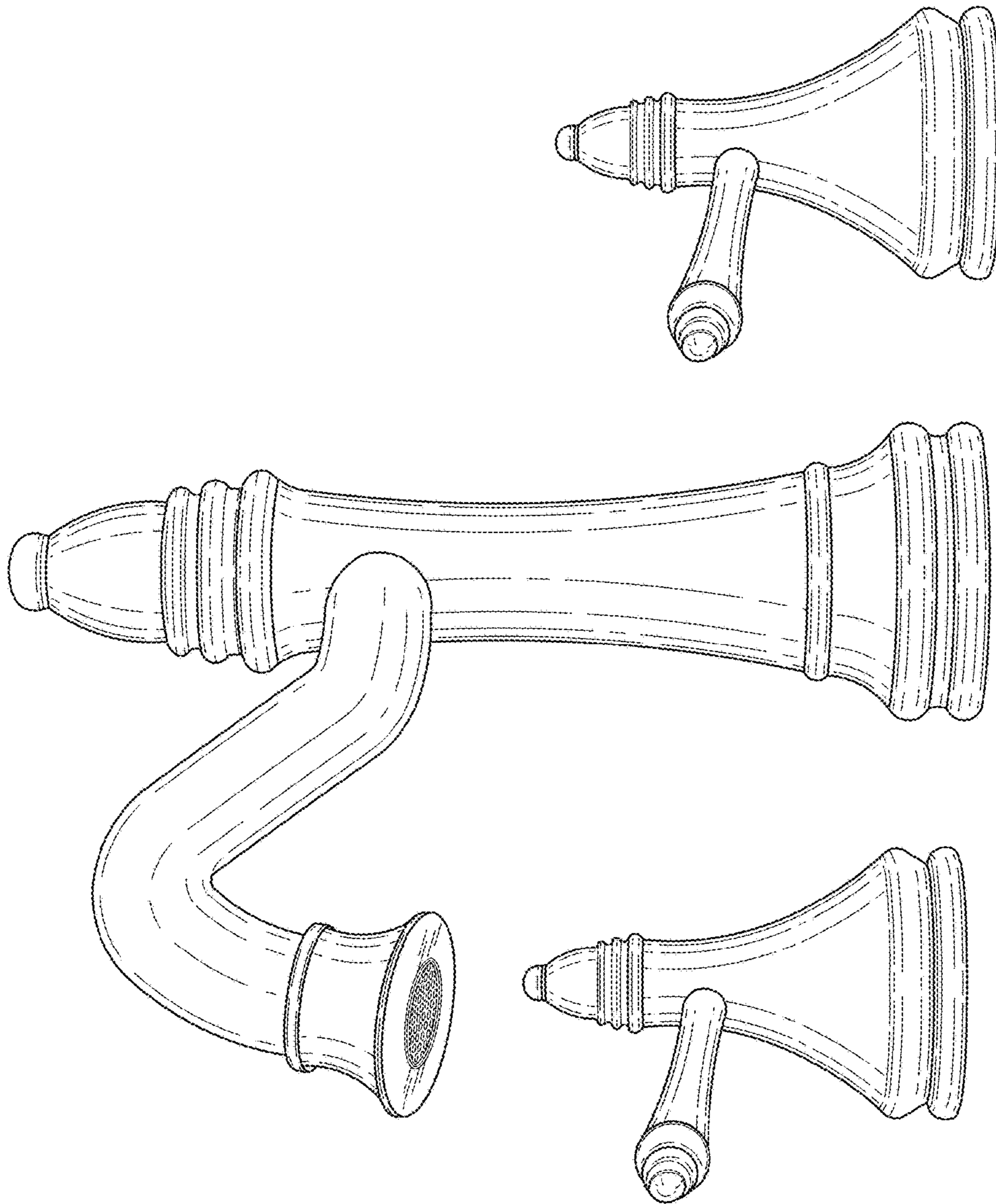


FIG. 1

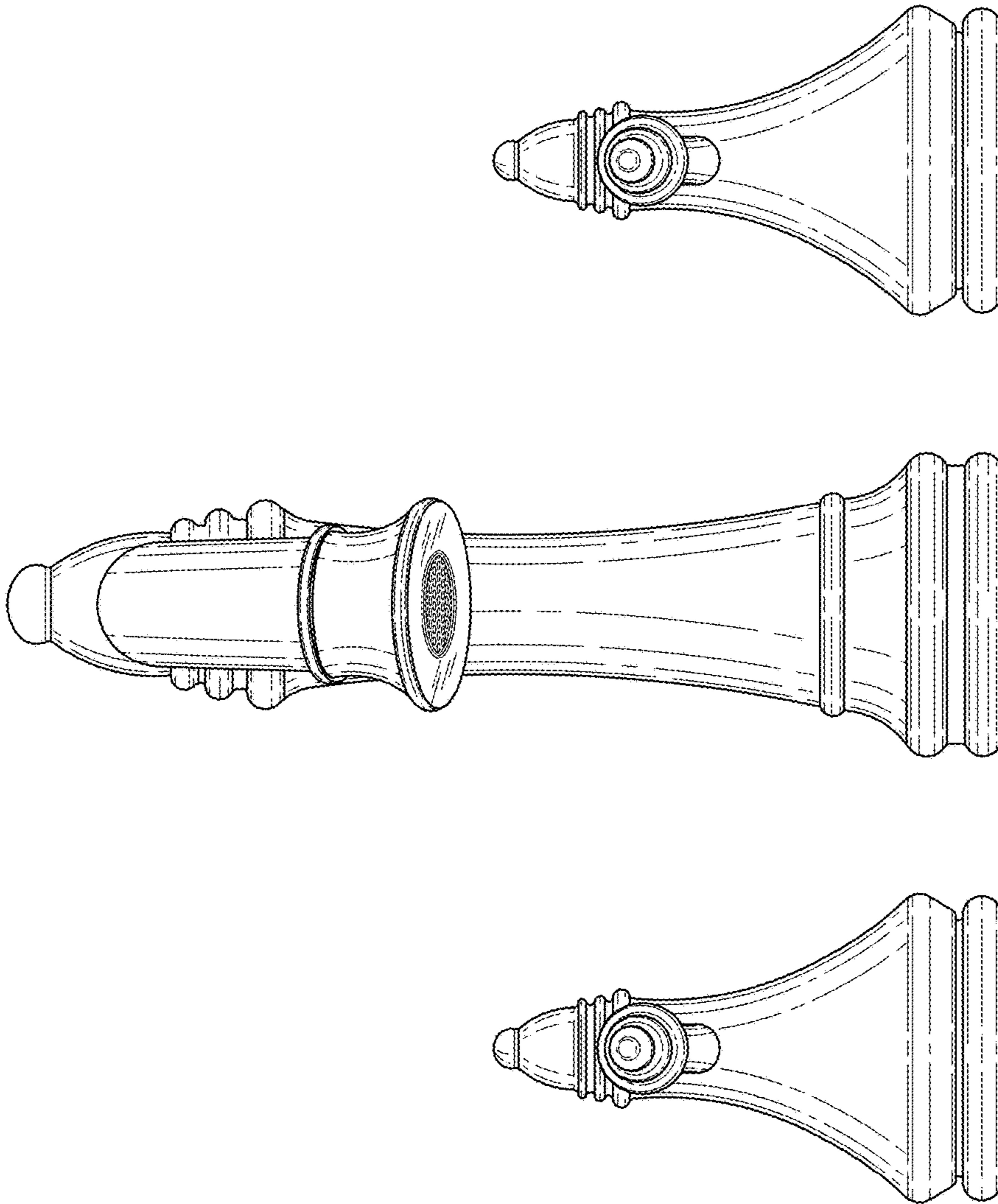


FIG. 2

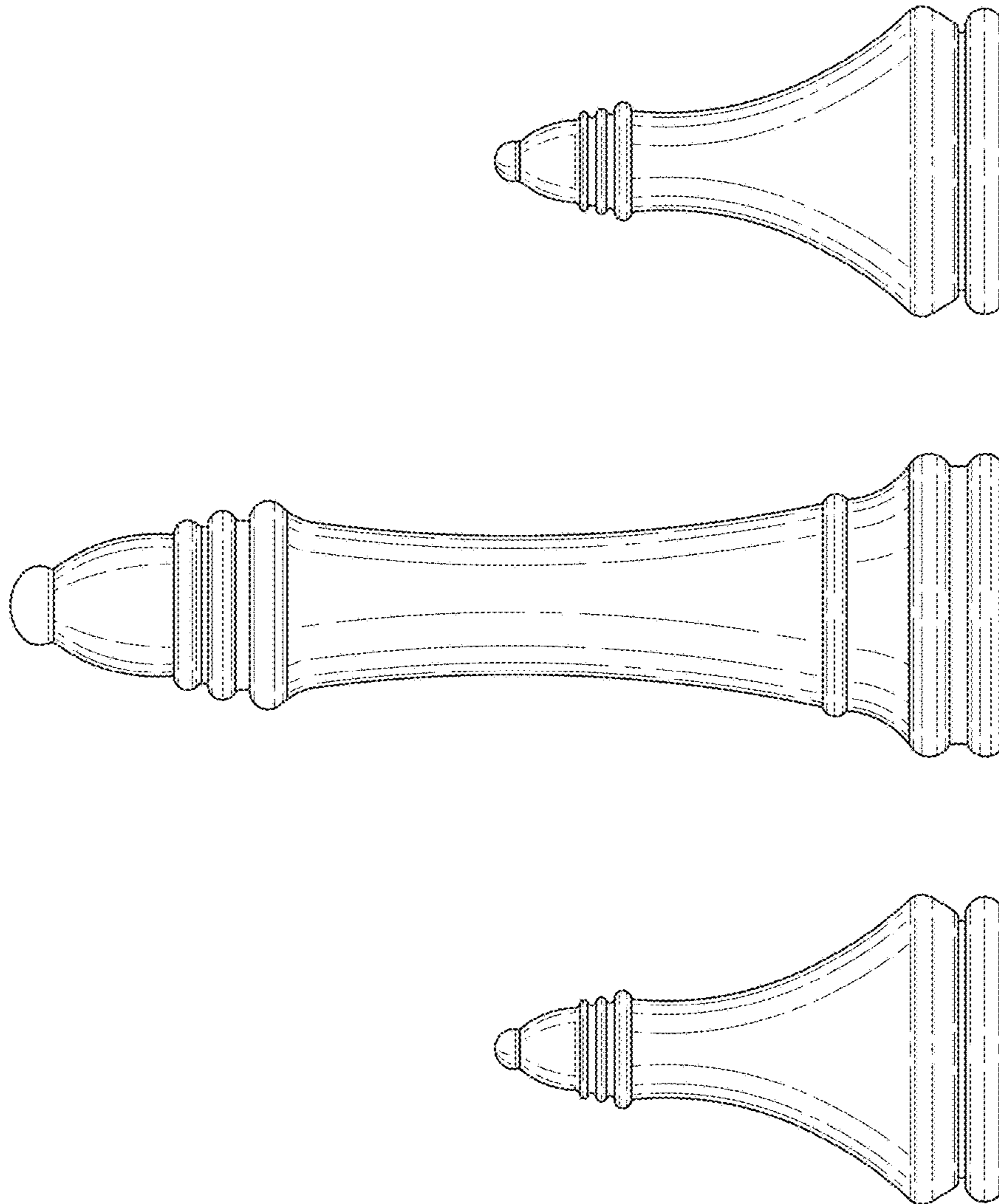


FIG. 3

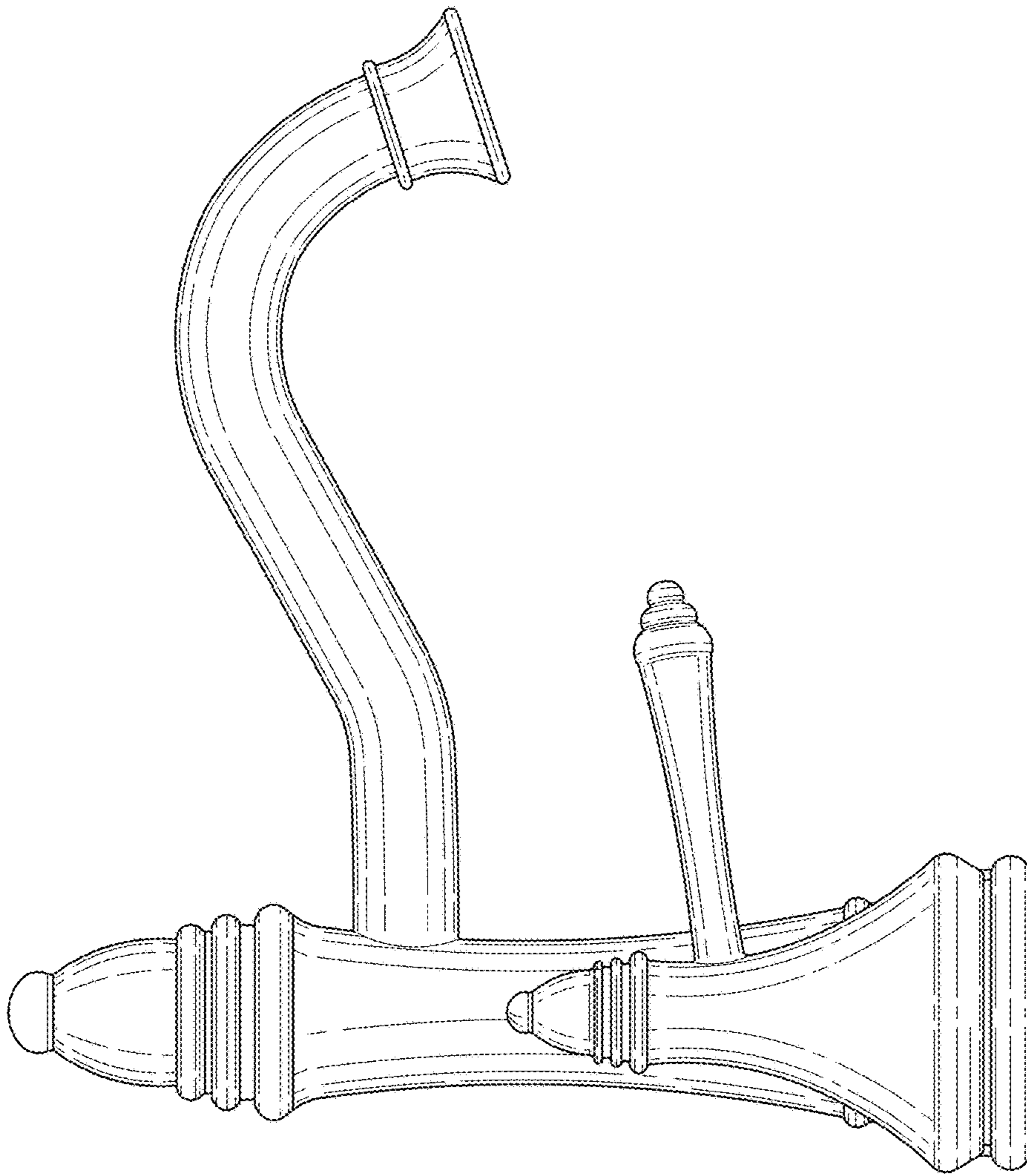


FIG. 4

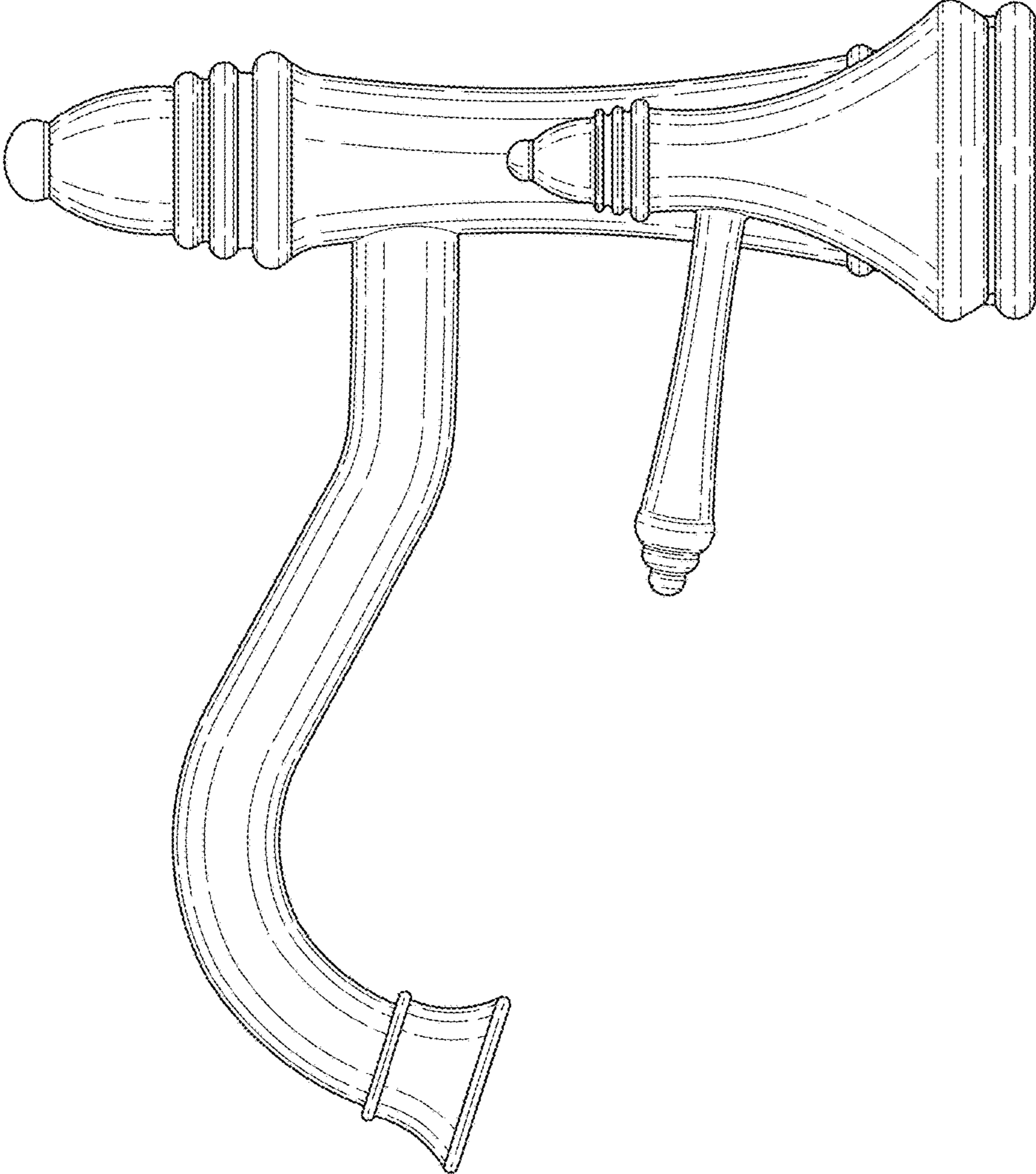


FIG. 5

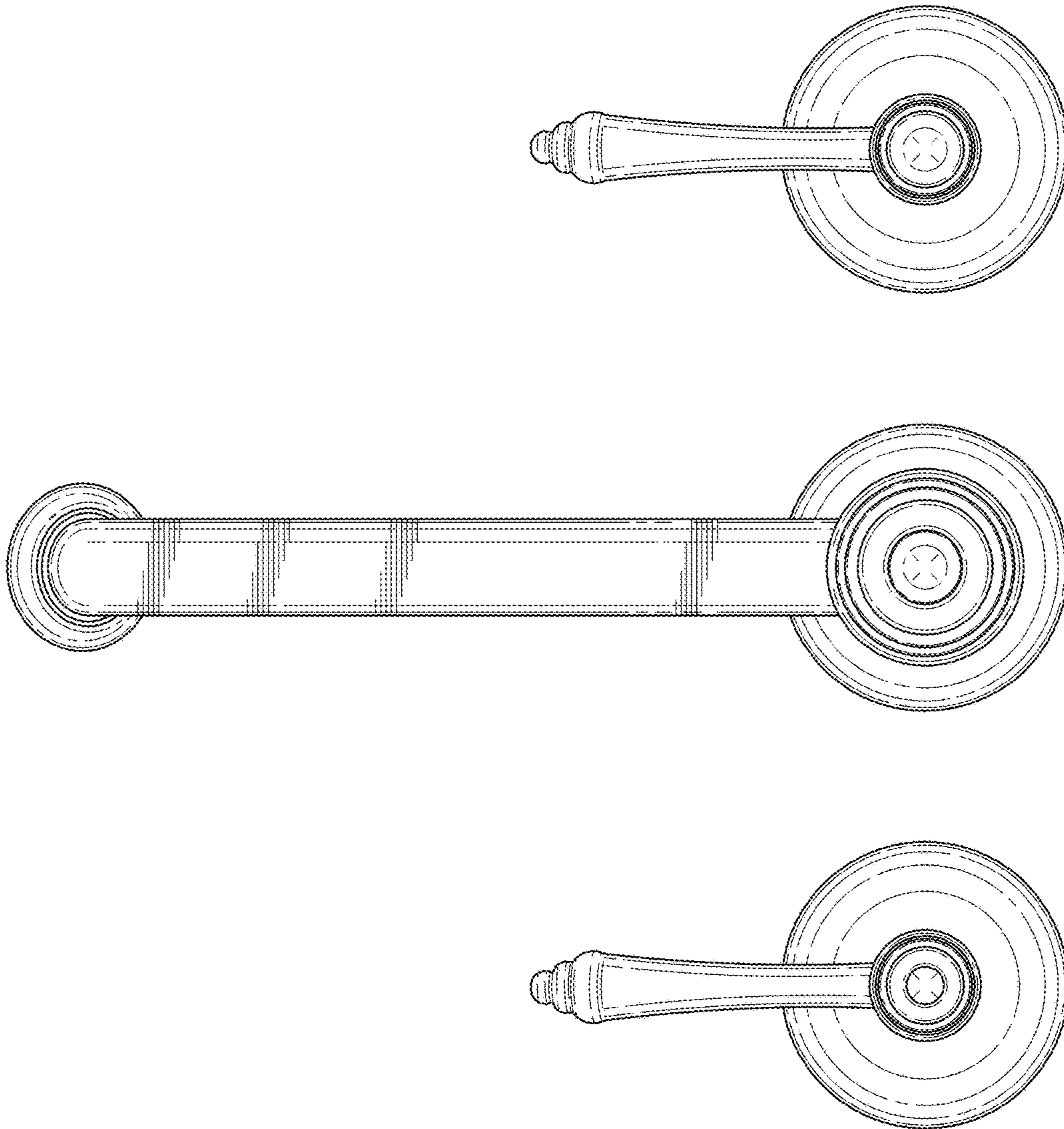


FIG. 6

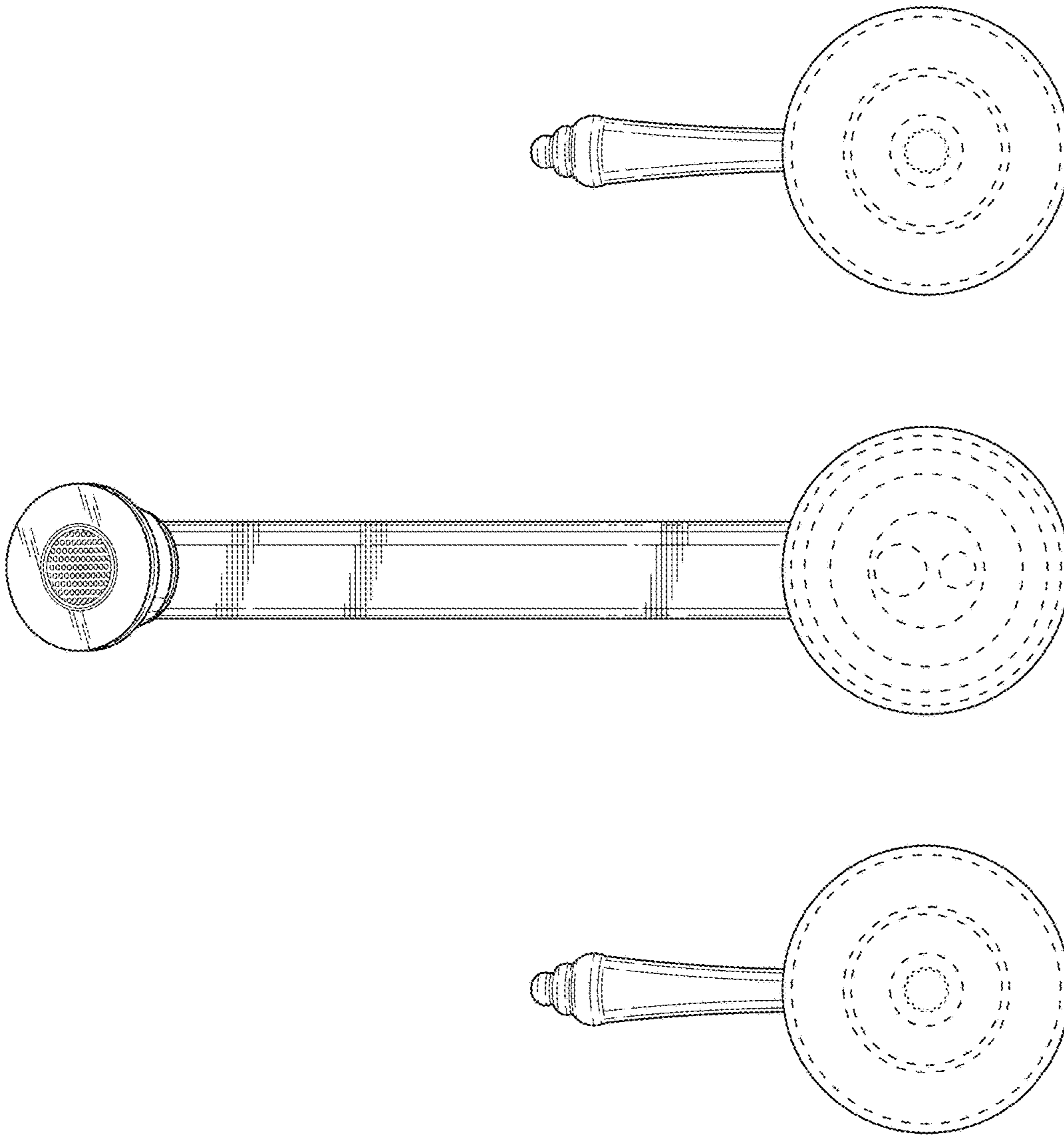


FIG. 7