

US00D857168S

(12) **United States Design Patent** (10) **Patent No.:** **US D857,168 S**
Soulier (45) **Date of Patent:** **** Aug. 20, 2019**

- (54) **FAUCET**
- (71) Applicant: **Kohler Co.**, Kohler, WI (US)
- (72) Inventor: **Jean-Hugues Soulier**, Paris (FR)
- (73) Assignee: **KOHLER CO.**, Kohler, WI (US)
- (**) Term: **15 Years**
- (21) Appl. No.: **29/644,525**
- (22) Filed: **Apr. 18, 2018**
- (51) **LOC (12) Cl.** **23-01**
- (52) **U.S. Cl.**
USPC **D23/238**
- (58) **Field of Classification Search**
USPC D23/238–243, 249–252, 254–255, 257;
D8/307–308
CPC Y10T 137/9464
See application file for complete search history.

- D625,778 S 10/2010 Sandee et al.
- D635,649 S * 4/2011 Schoenherr D23/255
- D635,651 S * 4/2011 Schoenherr D23/255
- D636,466 S 4/2011 Schoenherr
- D640,776 S * 6/2011 Flowers D23/255

(Continued)

Primary Examiner — Eric L Goodman
Assistant Examiner — Amy C Wierenga
(74) *Attorney, Agent, or Firm* — Foley & Lardner LLP

(57) **CLAIM**

I claim the ornamental design for a faucet, as shown and described.

DESCRIPTION

FIG. 1 is a perspective view of a first embodiment of a faucet;
FIG. 2 is a front view of FIG. 1;
FIG. 3 is a rear view of FIG. 1;
FIG. 4 is a side view of FIG. 1;
FIG. 5 is another side view of FIG. 1;
FIG. 6 is a top view of FIG. 1;
FIG. 7 is a bottom view of FIG. 1;
FIG. 8 is a perspective view of a second embodiment of a faucet;
FIG. 9 is a front view of FIG. 8;
FIG. 10 is a rear view of FIG. 8;
FIG. 11 is a side view of FIG. 8;
FIG. 12 is another side view of FIG. 8;
FIG. 13 is a top view of FIG. 8; and,
FIG. 14 is a bottom view of FIG. 8.

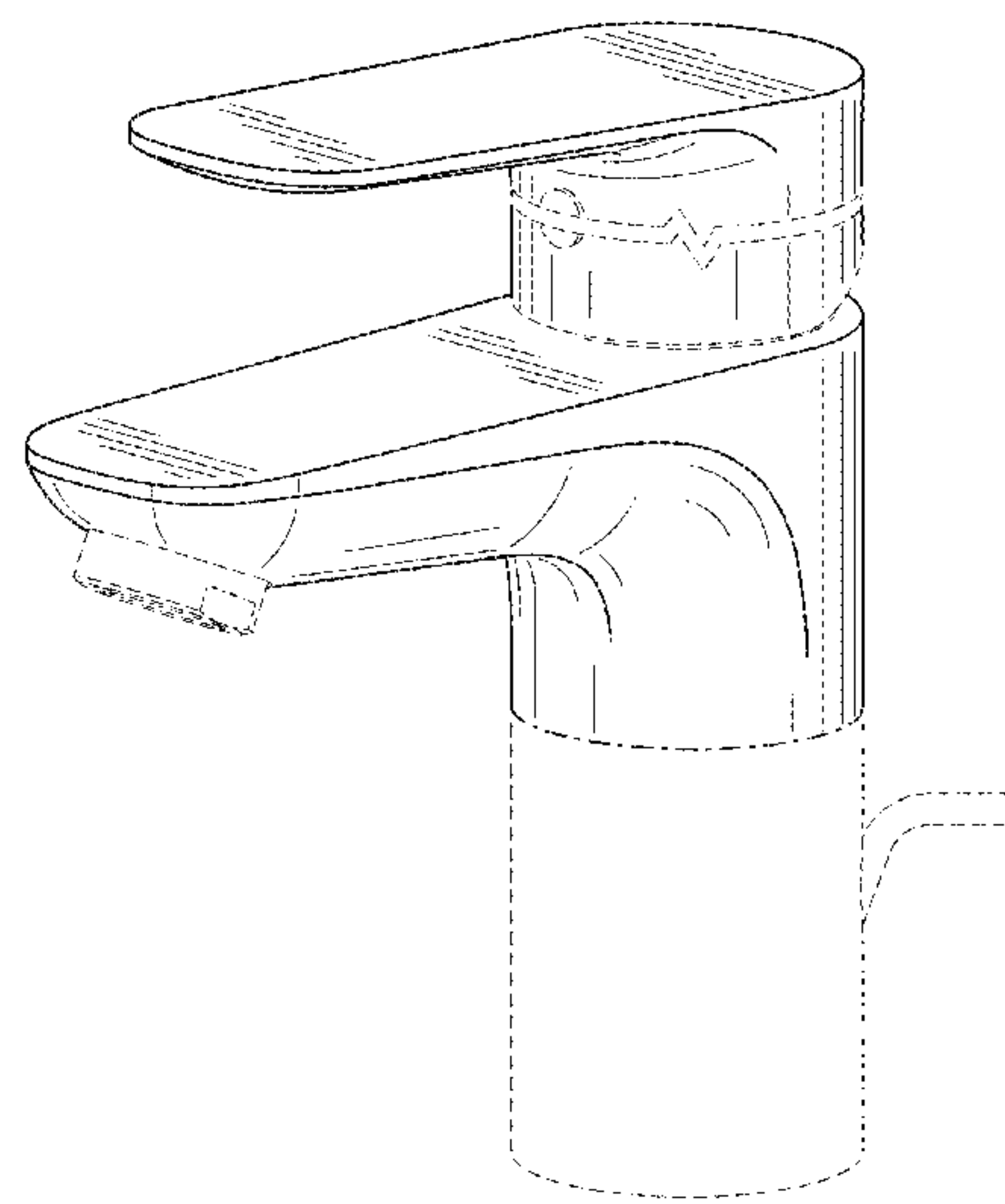
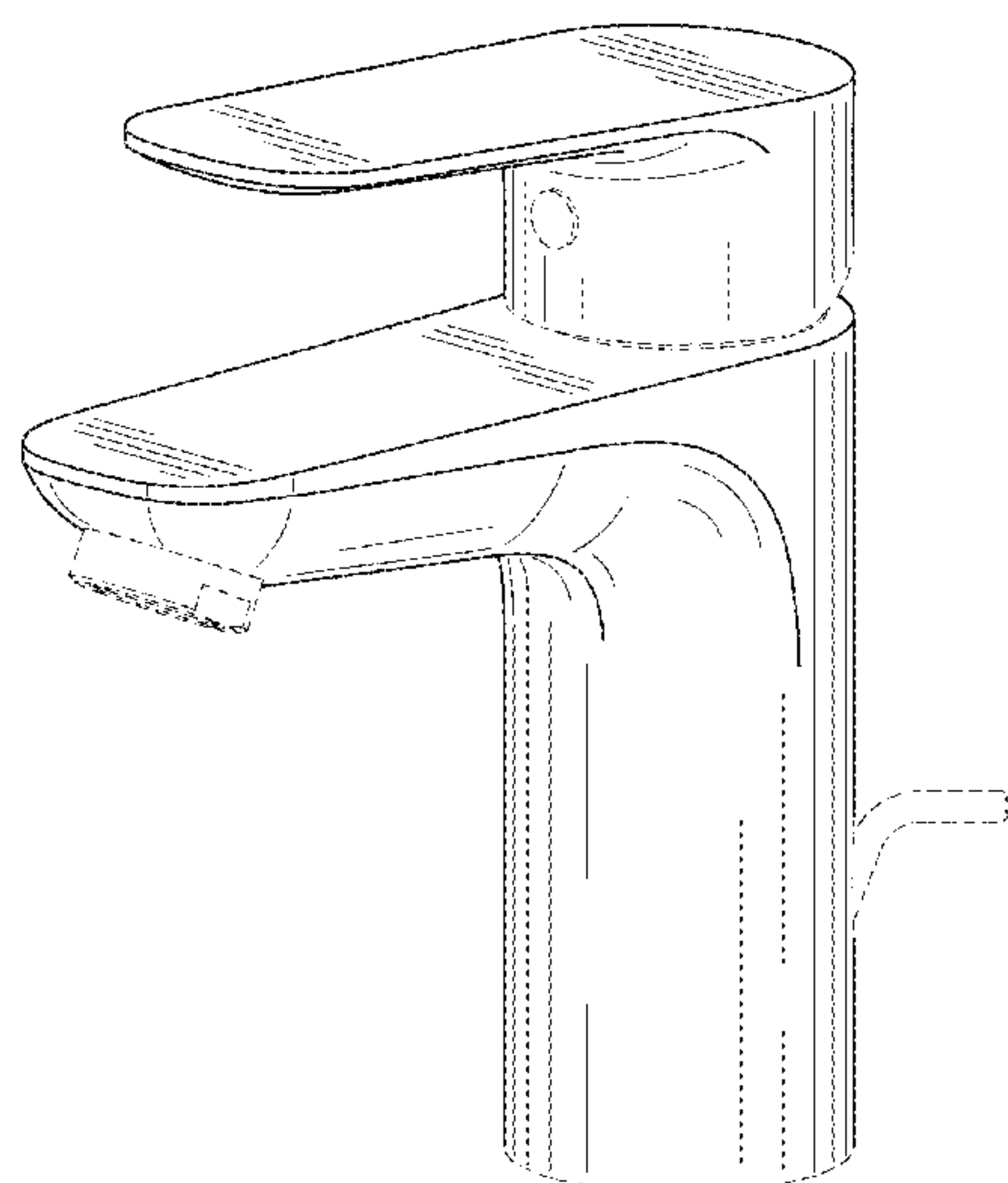
The broken lines shown in the drawings illustrate portions of the faucet that form no part of the claim. Broken lines formed of unequal length dashes (i.e., dash-dot) define bounds of the claimed design. Some portions of the faucet are shown with a symbolic break in their length. The appearance of any portion of the faucet between the break lines forms no part of the claim.

1 Claim, 10 Drawing Sheets

(56) **References Cited**

U.S. PATENT DOCUMENTS

- D293,599 S 1/1988 Bergmann
- D293,816 S 1/1988 Bergmann
- D347,264 S 5/1994 Gottwald
- D409,284 S 5/1999 Gottwald
- D409,727 S 5/1999 Lobermeier
- D410,068 S 5/1999 Gottwald
- D411,610 S 6/1999 Lobermeier
- D434,470 S 11/2000 Fleischmann
- D434,832 S 12/2000 Fleischmann
- D435,287 S 12/2000 Fleischmann
- D435,890 S 1/2001 Fleischmann
- D438,598 S 3/2001 Fleischmann
- D439,952 S 4/2001 Fleischmann
- D440,281 S 4/2001 Fleischmann
- D443,916 S 6/2001 Mullenmeister
- D444,211 S 6/2001 Mullenmeister
- D444,850 S 7/2001 Fleischmann
- D472,606 S 4/2003 Fleischmann
- D529,132 S * 9/2006 Haug D23/238



(56)

References Cited

U.S. PATENT DOCUMENTS

D643,909	S	*	8/2011	Flowers	D23/238
D644,718	S	*	9/2011	Flowers	D23/238
D689,987	S		9/2013	Kington et al.		
D692,109	S	*	10/2013	Garland	D23/255
D693,904	S		11/2013	Hahn et al.		
D698,421	S	*	1/2014	Schoenherr	D23/238
D698,422	S		1/2014	Schoenherr		
D700,955	S	*	3/2014	Schoenherr	D23/238
D700,956	S	*	3/2014	Schoenherr	D23/238
D701,591	S	*	3/2014	Schoenherr	D23/238
D701,592	S	*	3/2014	Zhenqiang	D23/238
D703,792	S		4/2014	Barry		
D713,940	S		9/2014	Georgeson		
D713,941	S	*	9/2014	Hundley	D23/255
D714,912	S		10/2014	Barry		
D720,432	S		12/2014	Hundley et al.		
D720,436	S		12/2014	Hundley et al.		
D726,880	S		4/2015	Kington et al.		
D735,526	S		8/2015	Chase		
D755,350	S		5/2016	Rexach		
D757,223	S	*	5/2016	Schoenherr	D23/238
D757,230	S	*	5/2016	Schoenherr	D23/255
D762,820	S	*	8/2016	Schoenherr	D23/238
D767,732	S	*	9/2016	Rexach	D23/255
D767,734	S		9/2016	Rexach		
D779,044	S	*	2/2017	Flowers	D23/238
D796,643	S	*	9/2017	Downey	D23/255
D828,509	S	*	9/2018	Seum	D23/238

* cited by examiner

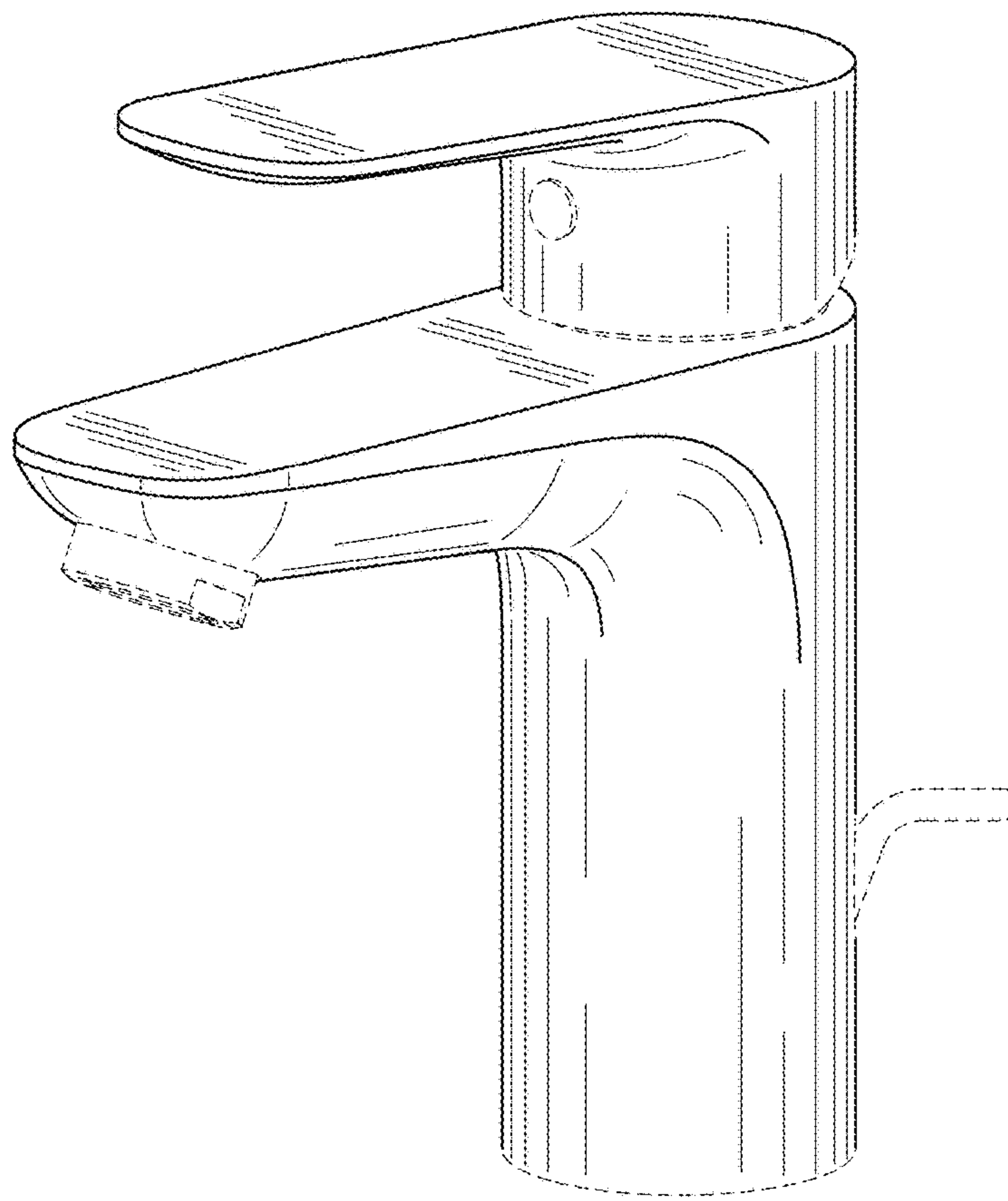


FIG. 1

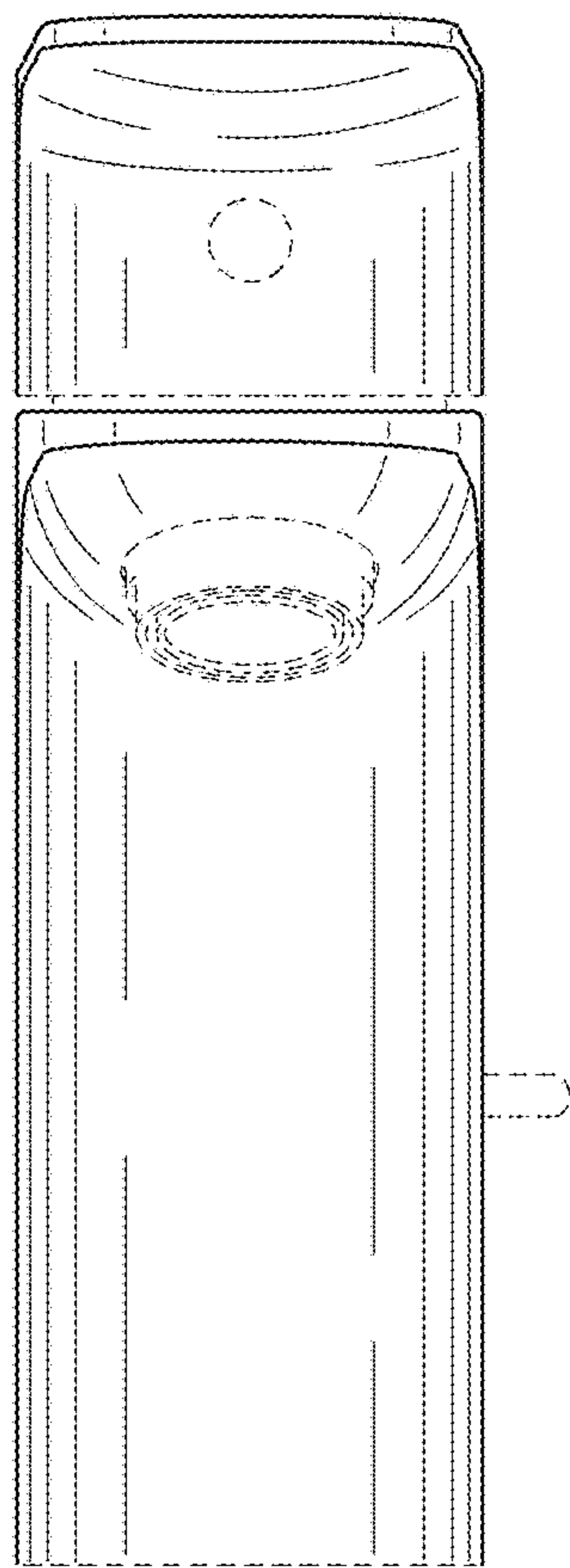


FIG. 2

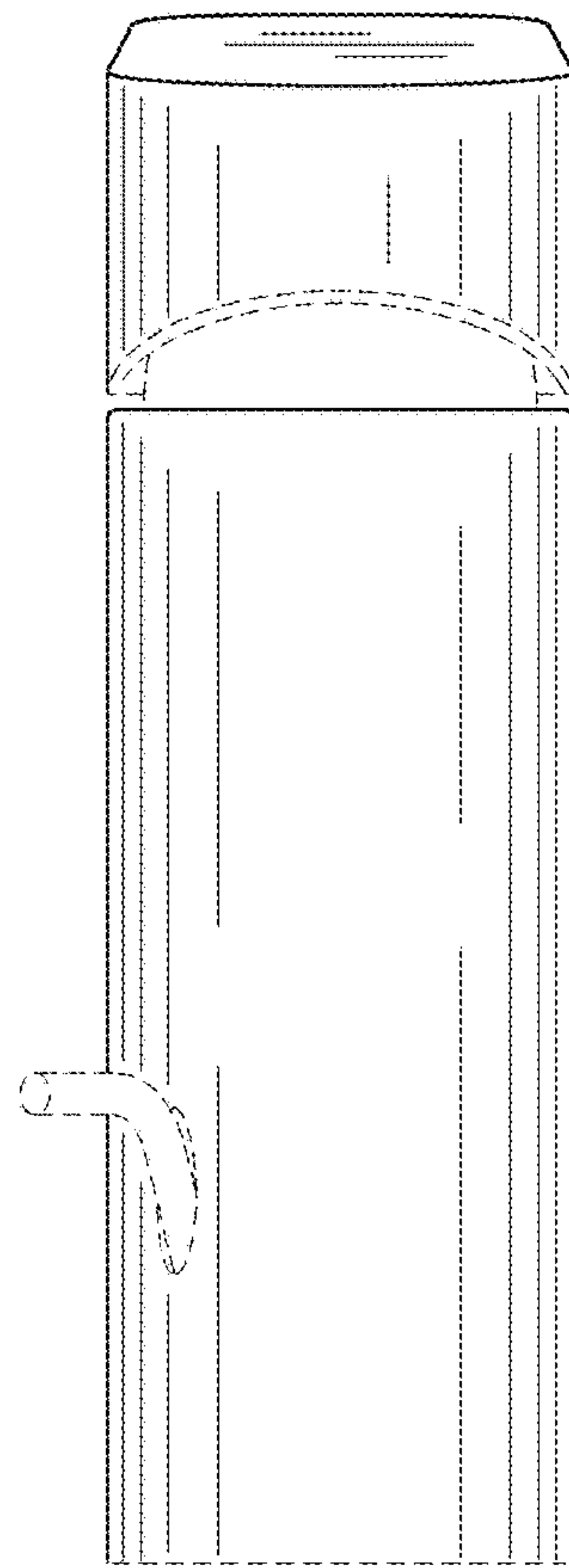


FIG. 3

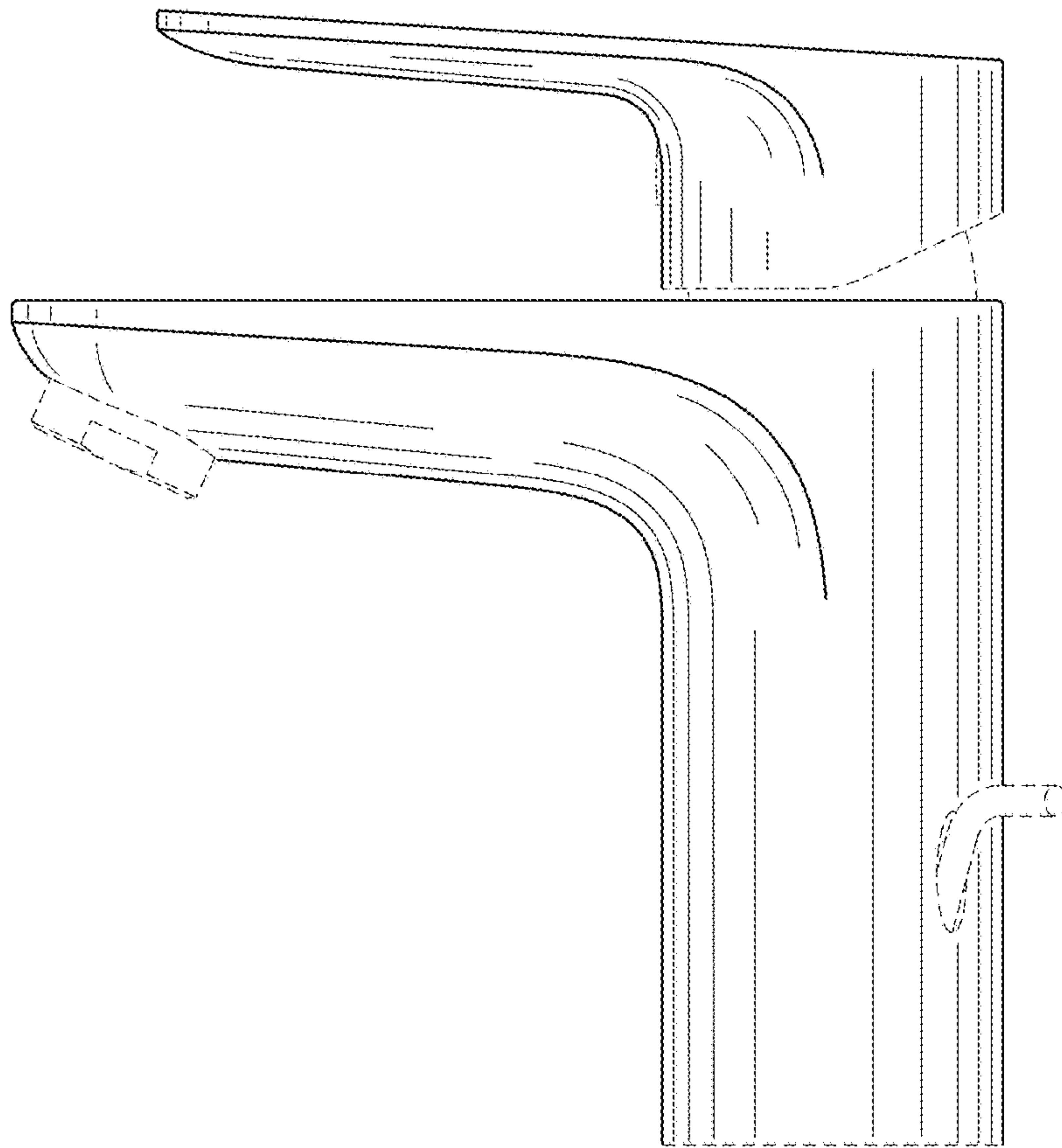


FIG. 4

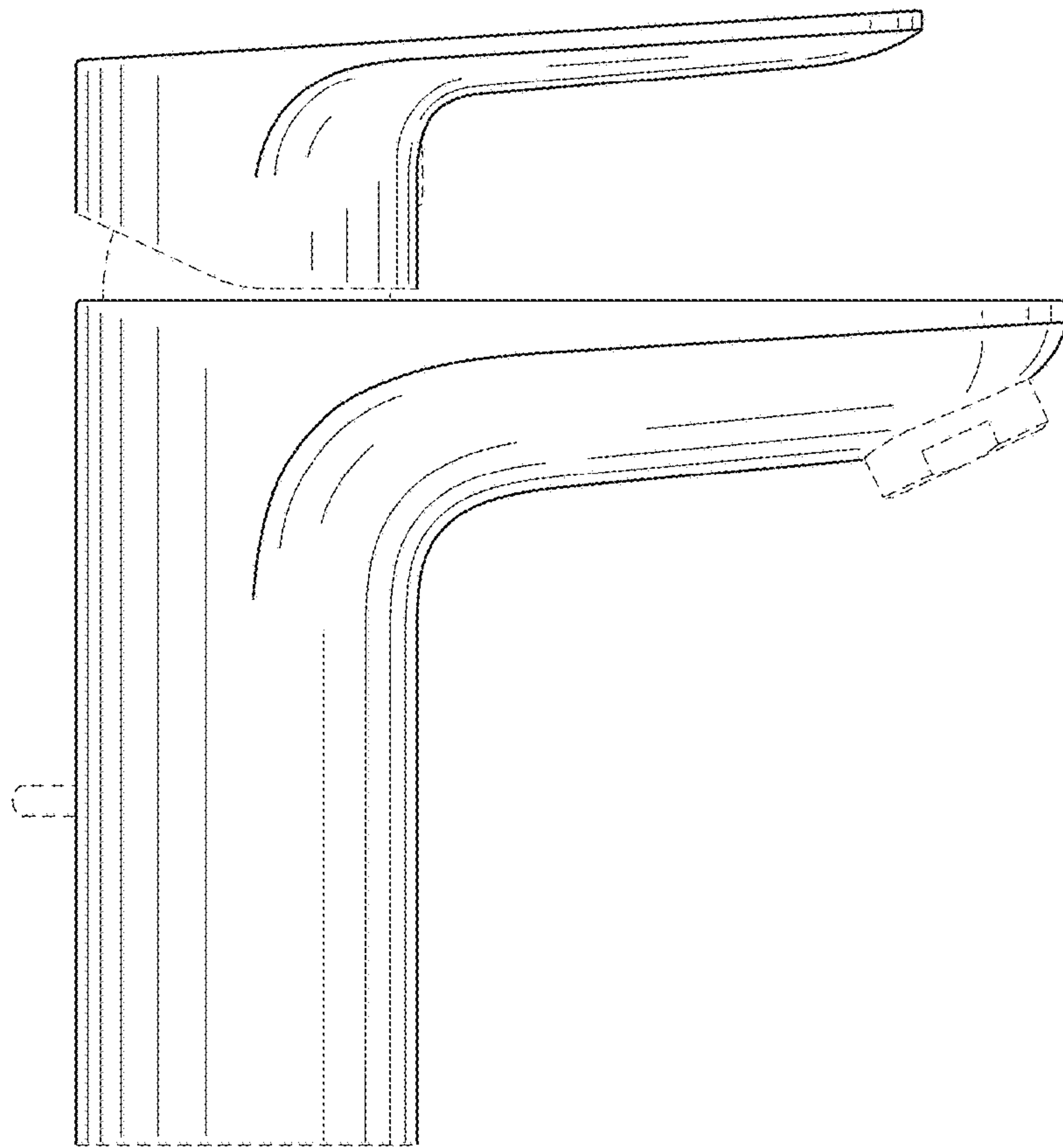


FIG. 5

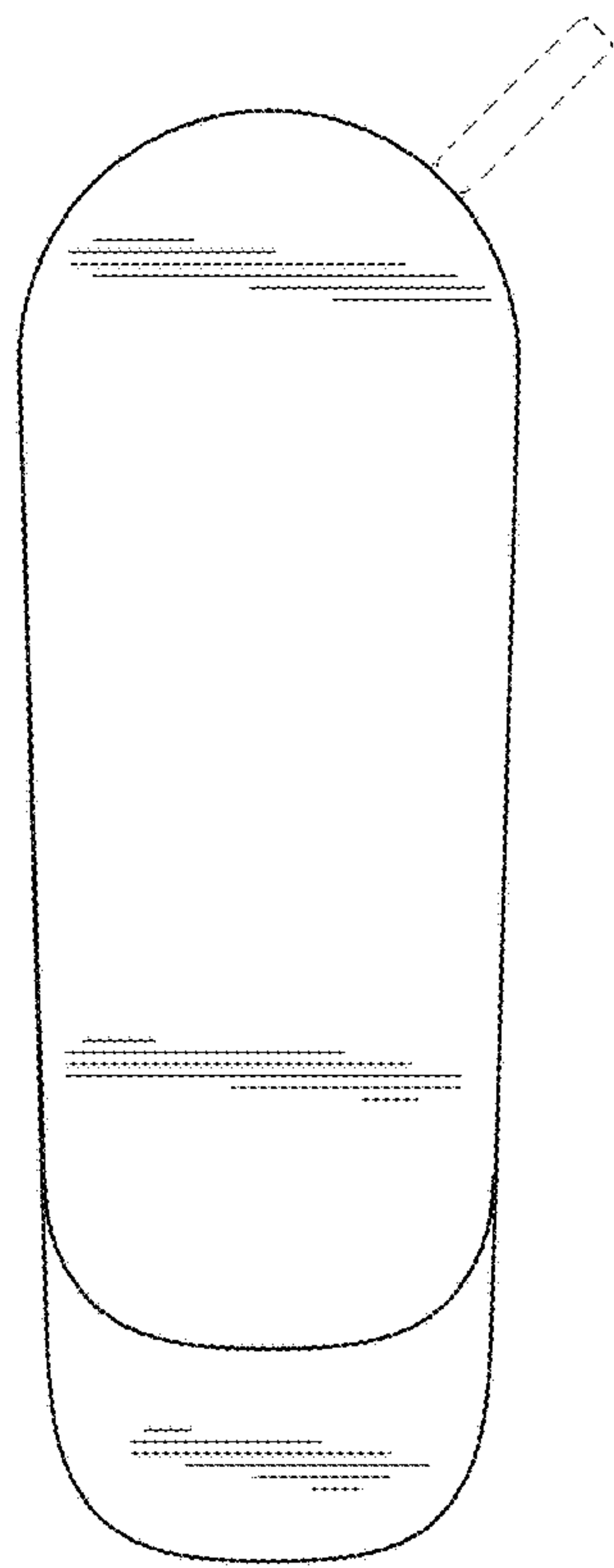


FIG. 6

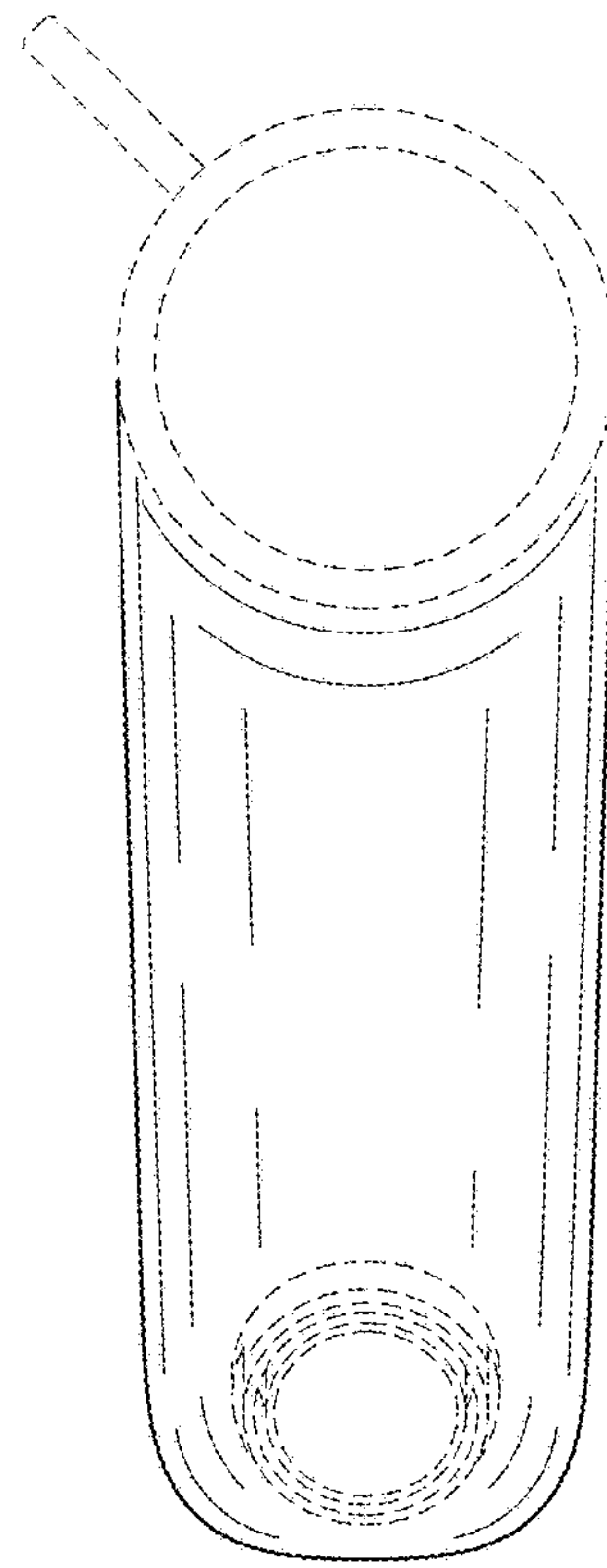


FIG. 7

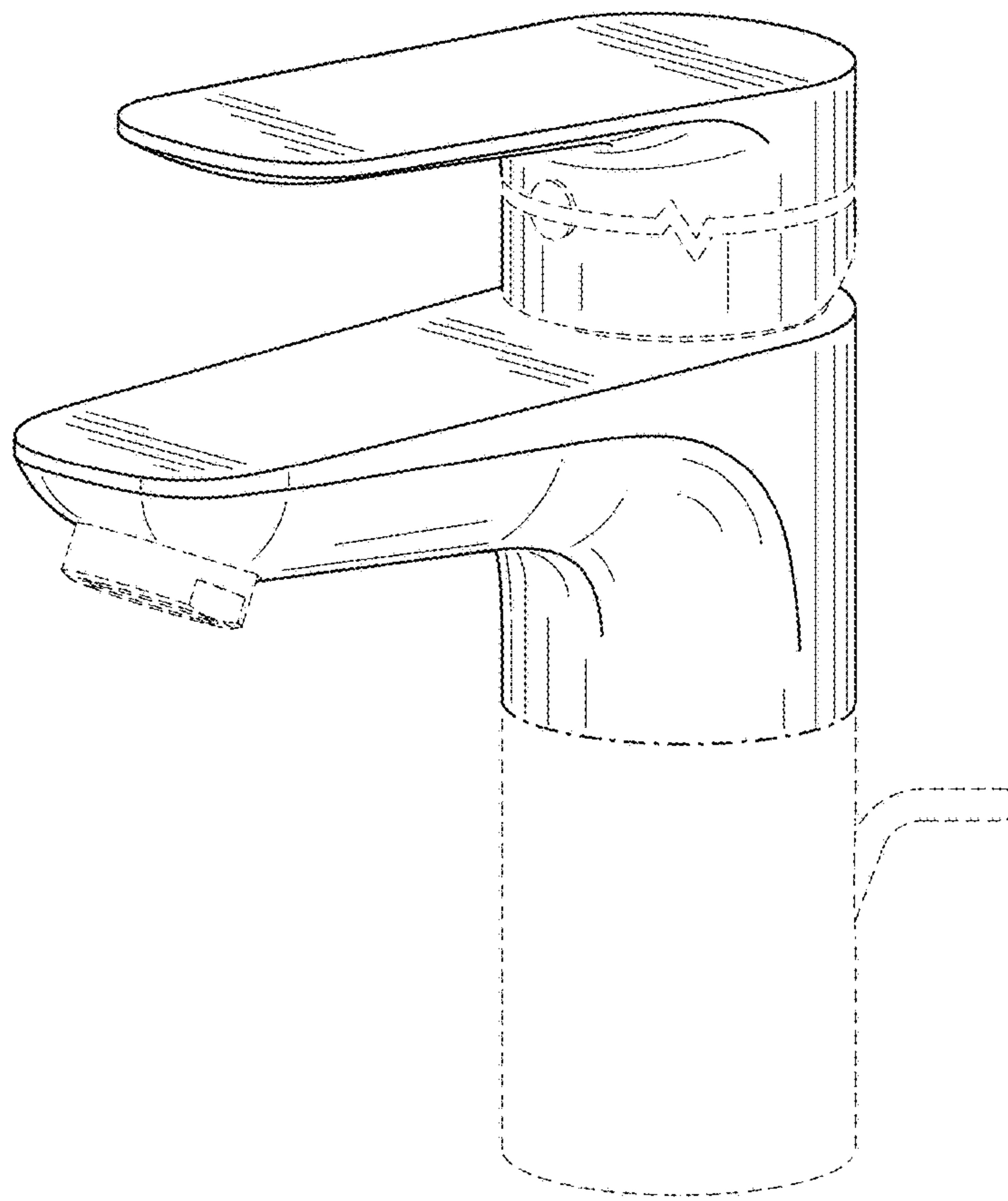


FIG. 8

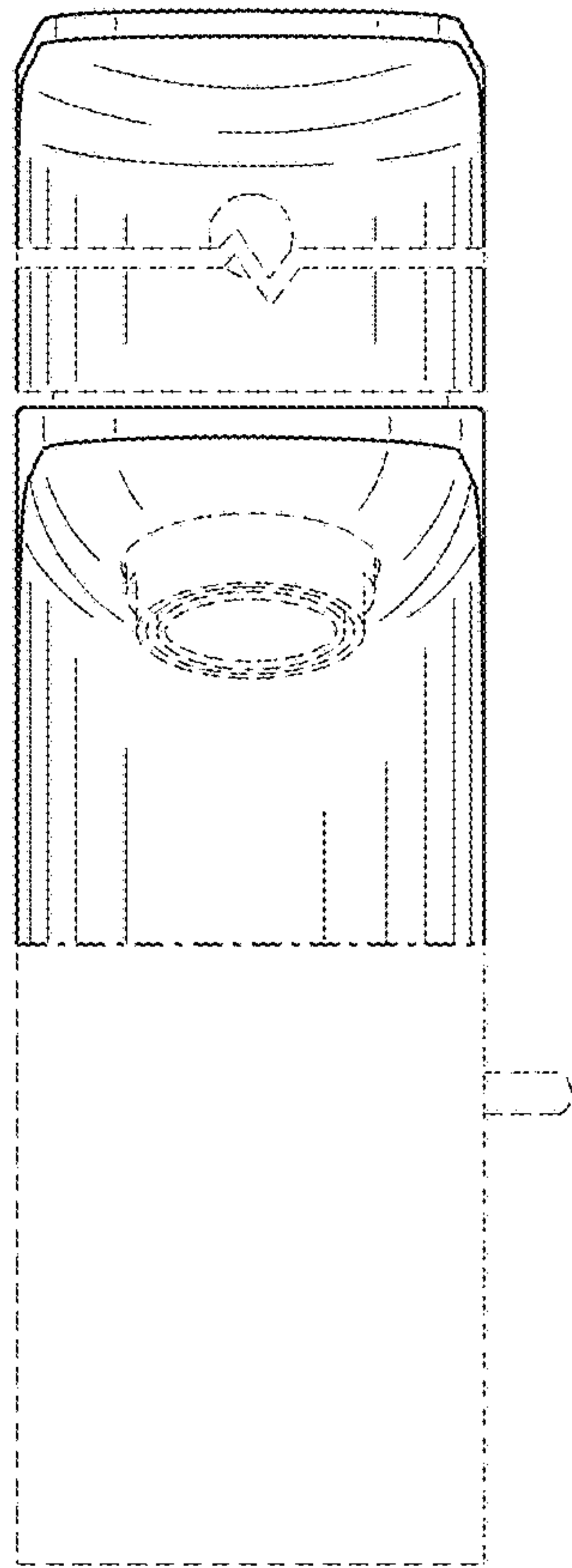


FIG. 9

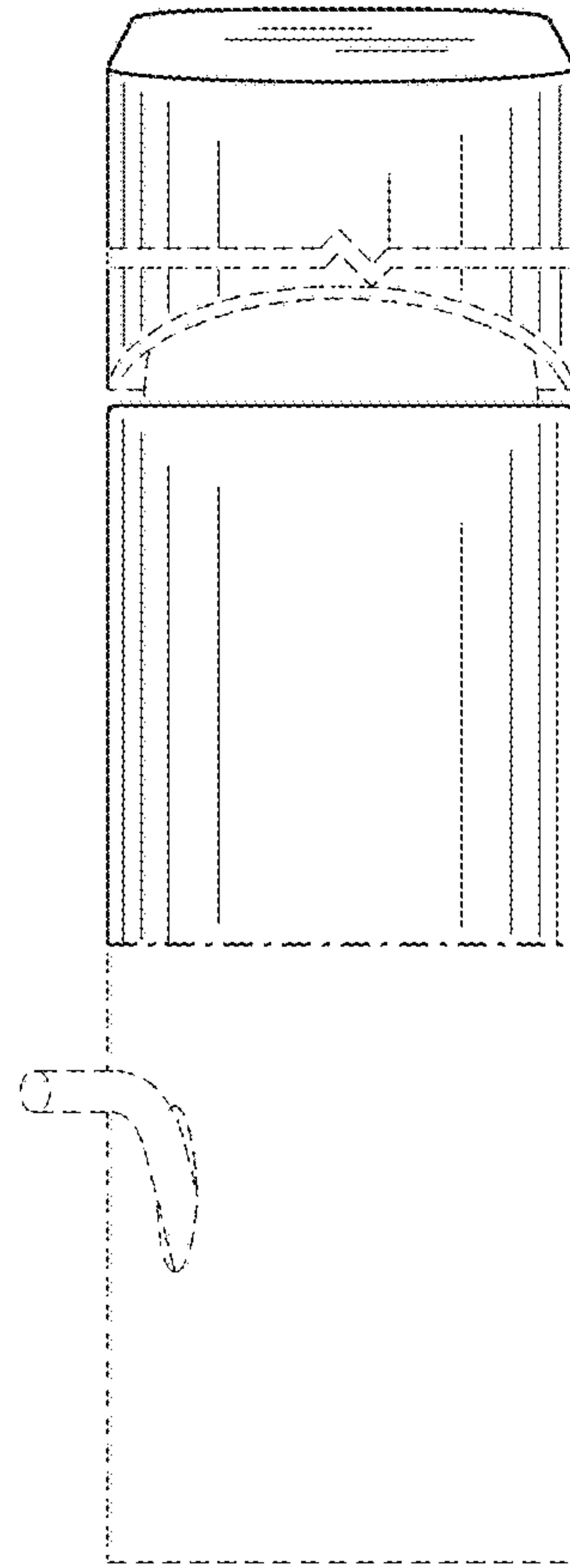


FIG. 10

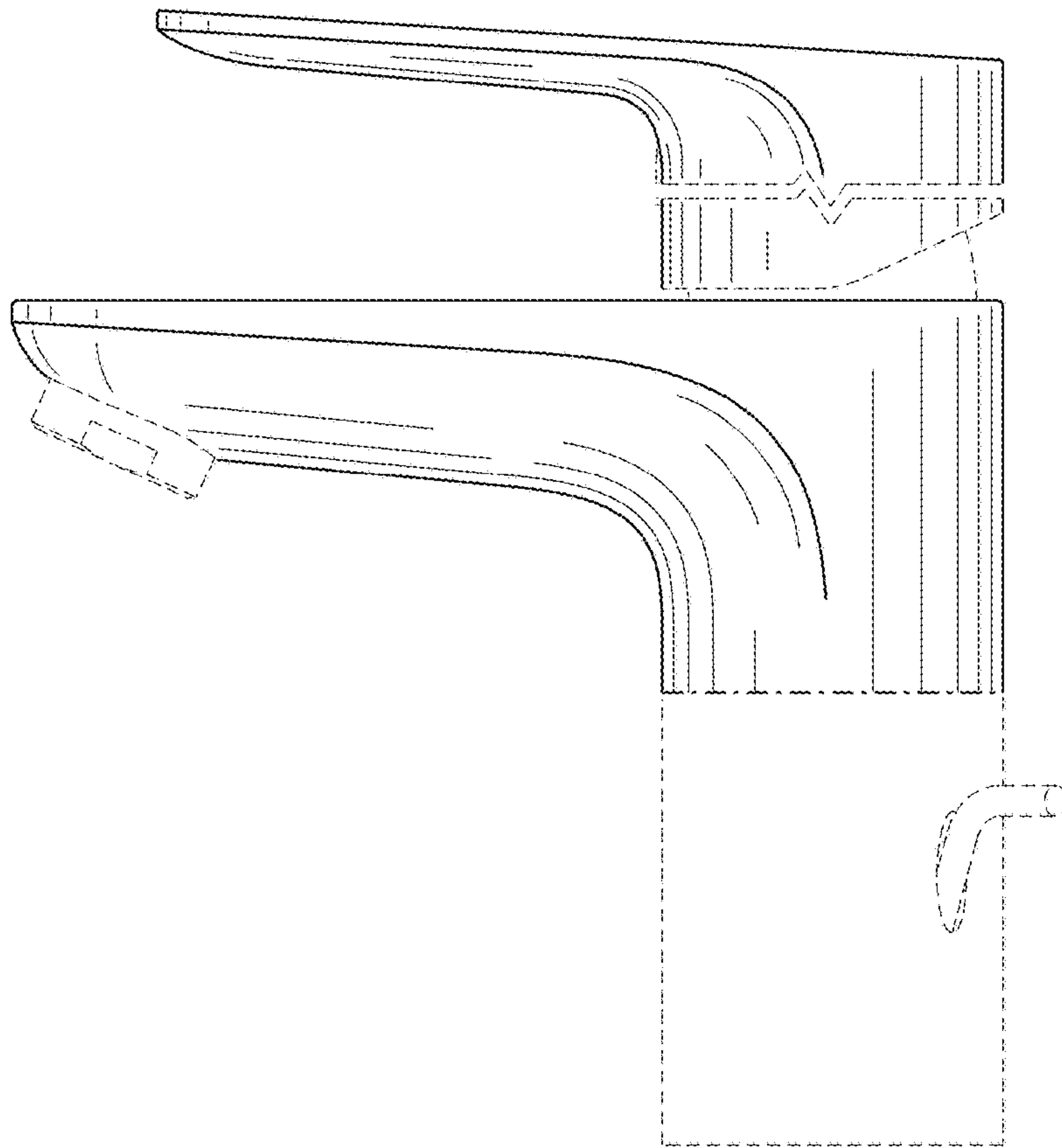


FIG. 11

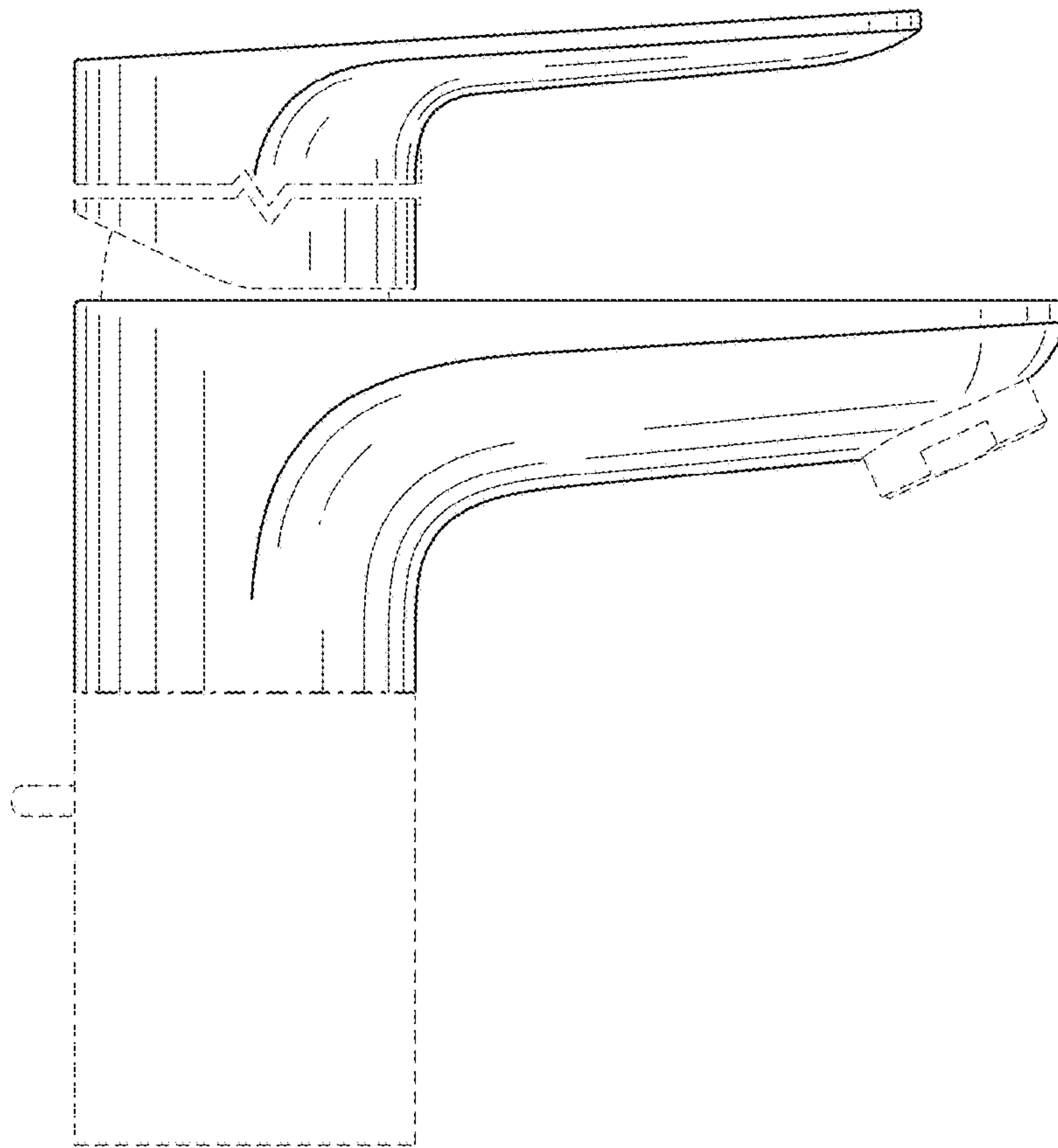


FIG. 12

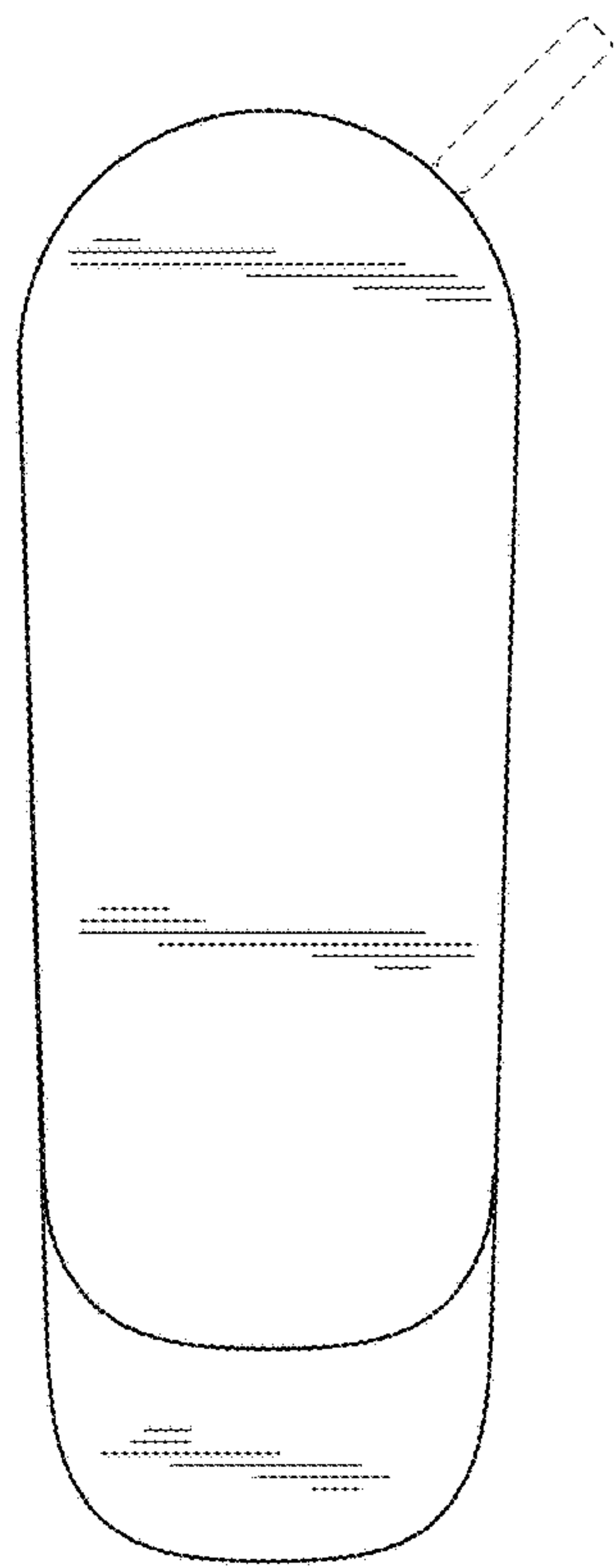


FIG. 13

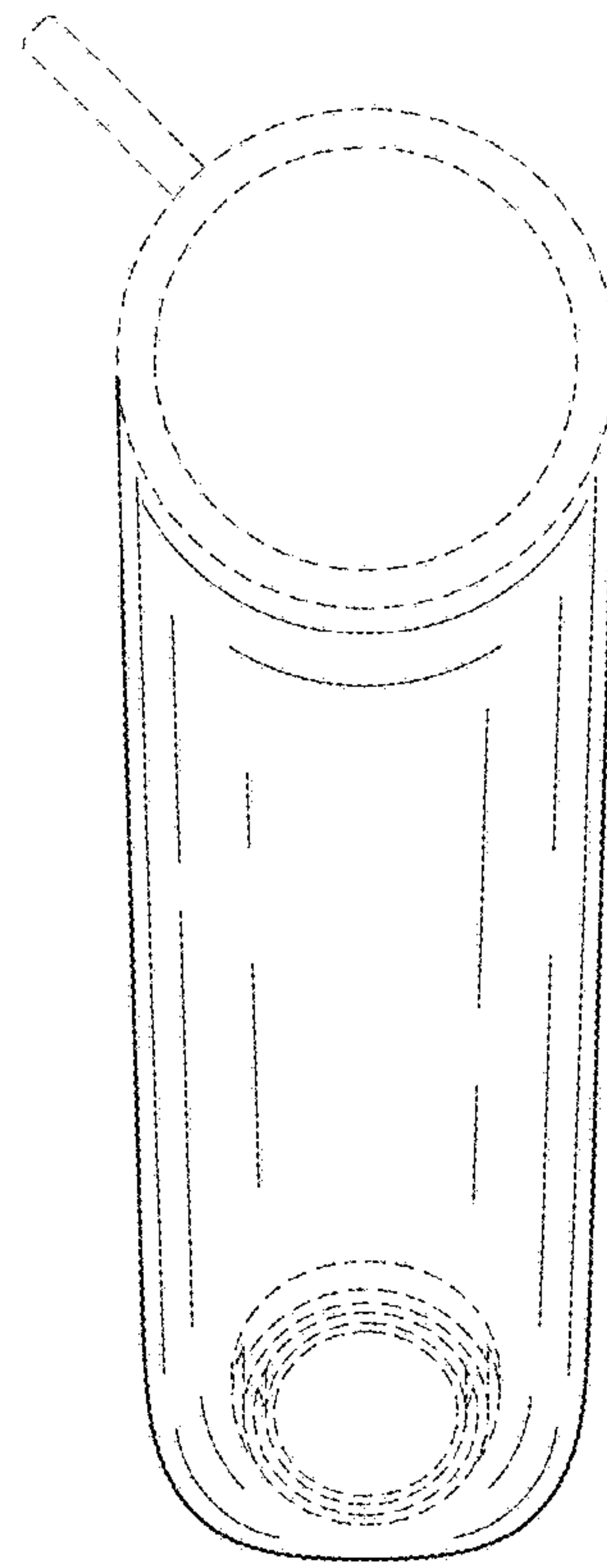


FIG. 14