



US00D857166S

(12) **United States Design Patent**
Spangler

(10) **Patent No.:** **US D857,166 S**

(45) **Date of Patent:** **** Aug. 20, 2019**

(54) **FAUCET**

(71) Applicant: **DELTA FAUCET COMPANY,**
Indianapolis, IN (US)

(72) Inventor: **Anthony G. Spangler,** Indianapolis, IN
(US)

(73) Assignee: **DELTA FAUCET COMPANY,**
Indianapolis, IN (US)

(**) Term: **15 Years**

(21) Appl. No.: **29/630,233**

(22) Filed: **Dec. 20, 2017**

(51) **LOC (12) Cl.** **23-01**

(52) **U.S. Cl.**
USPC **D23/238**

(58) **Field of Classification Search**
USPC D23/238-243, 249, 255, 257, 250, 252,
D23/254; D8/307-308
CPC F16K 31/60; F16K 31/602; F16K 31/605;
F16K 31/607; E03C 1/0412
See application file for complete search history.

(56) **References Cited**

U.S. PATENT DOCUMENTS

D461,230 S * 8/2002 Ko D23/255
D486,563 S * 2/2004 Hsieh D23/238

D488,539 S * 4/2004 McKeone D23/255
D540,911 S * 4/2007 Citterio D23/238
D621,005 S * 8/2010 Bouroullec D23/238
D805,163 S * 12/2017 Schoenherr D23/238
D810,888 S * 2/2018 Schoenherr D23/255
D820,399 S * 6/2018 Garland D23/238
D826,382 S * 8/2018 Spangler D23/254
D830,518 S * 10/2018 Zeisel D23/238

* cited by examiner

Primary Examiner — Robert A Delehanty

(74) *Attorney, Agent, or Firm* — Edgar A. Zarins; Nirav
D. Parikh

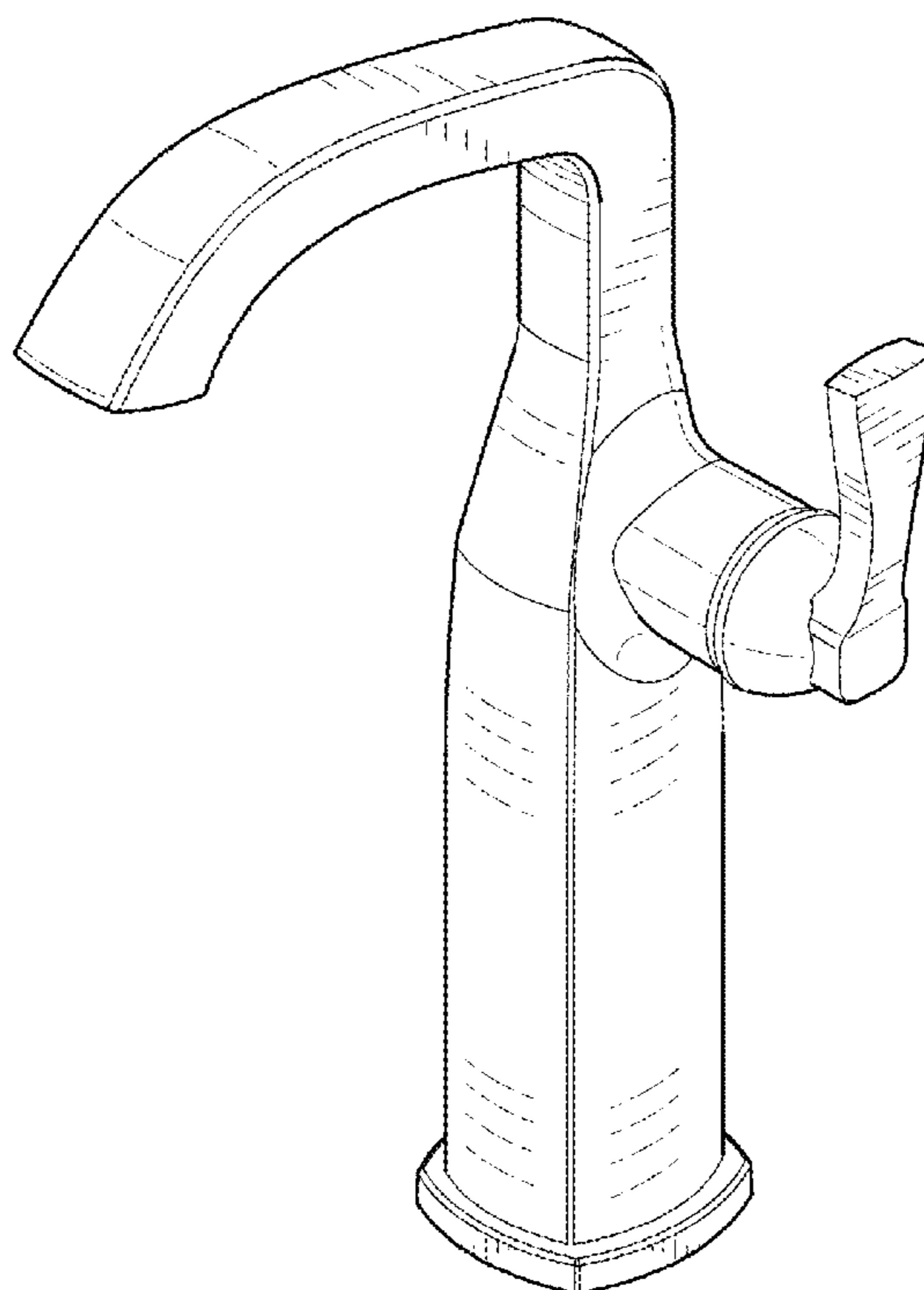
(57) **CLAIM**

The ornamental design for a faucet, as shown and described.

DESCRIPTION

FIG. 1 is a perspective view of a faucet showing my new design;
FIG. 2 is a top plan view thereof;
FIG. 3 is a left side view thereof;
FIG. 4 is a bottom view thereof;
FIG. 5 is a rear view thereof;
FIG. 6 is a front elevational view thereof; and,
FIG. 7 is a right side view thereof.
The broken-line disclosure in the view represents a portion of the faucet in which the claimed design is embodied, but which forms no part of the claimed design.

1 Claim, 4 Drawing Sheets



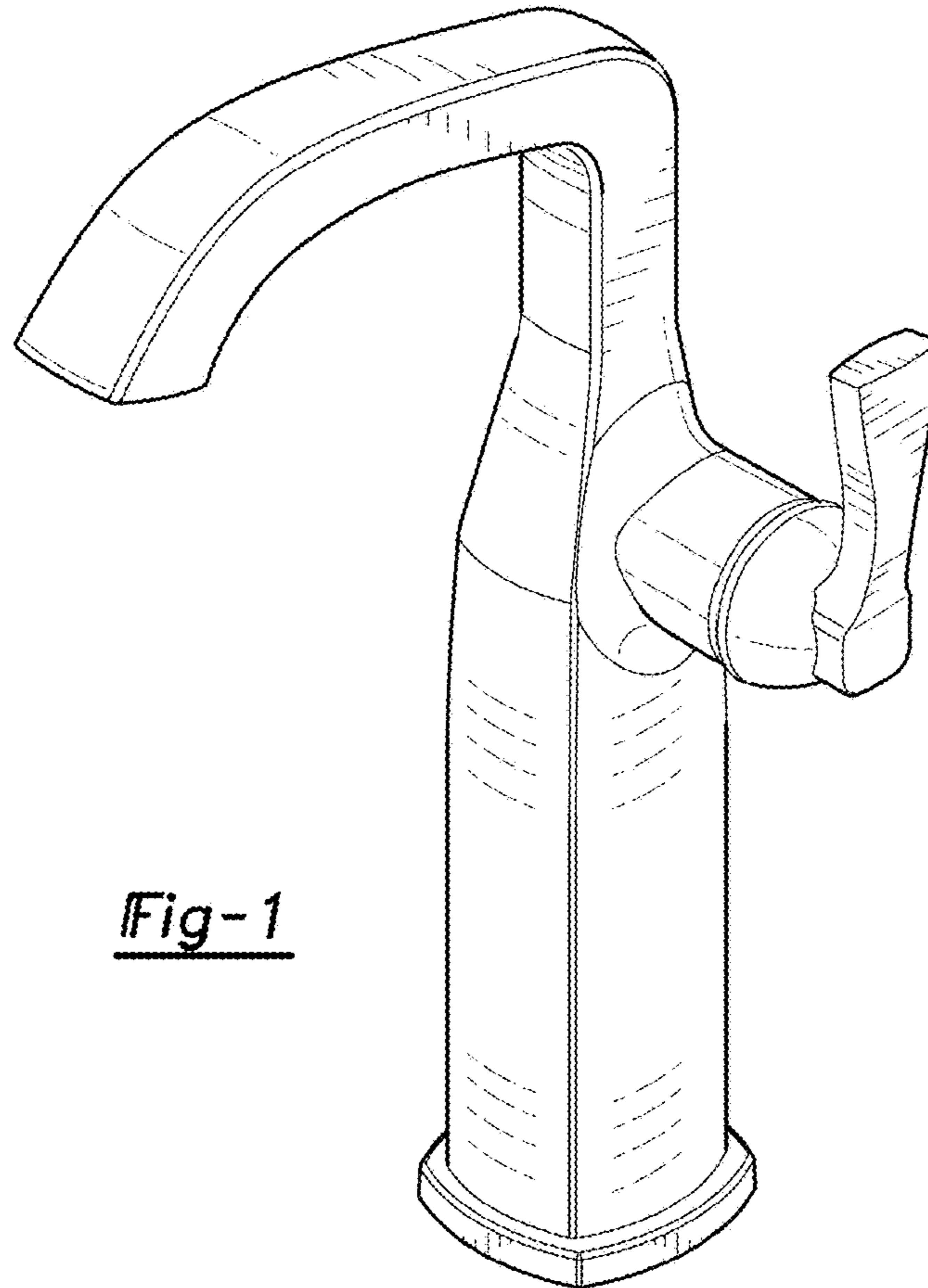


Fig-1

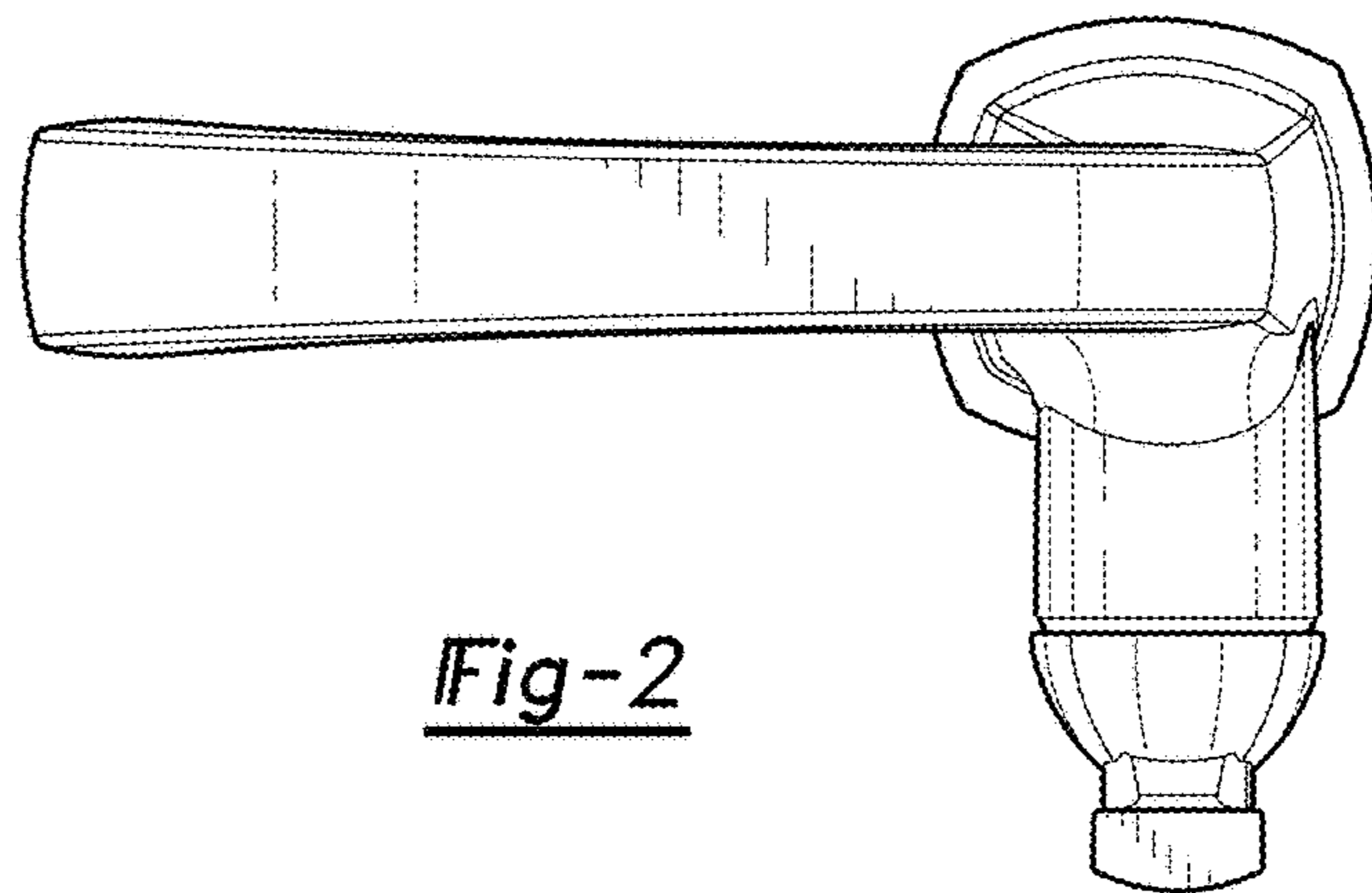


Fig-2

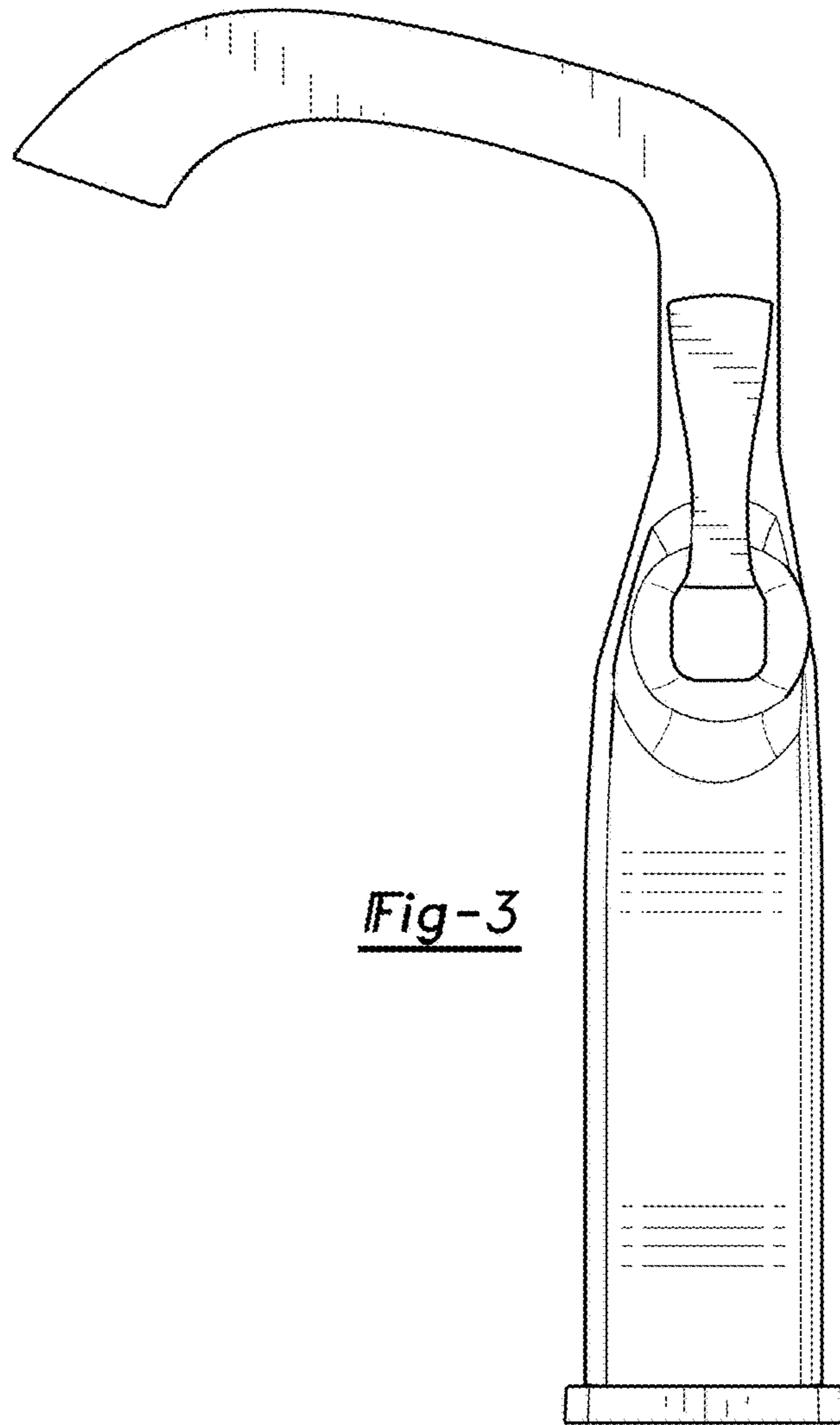


Fig-3

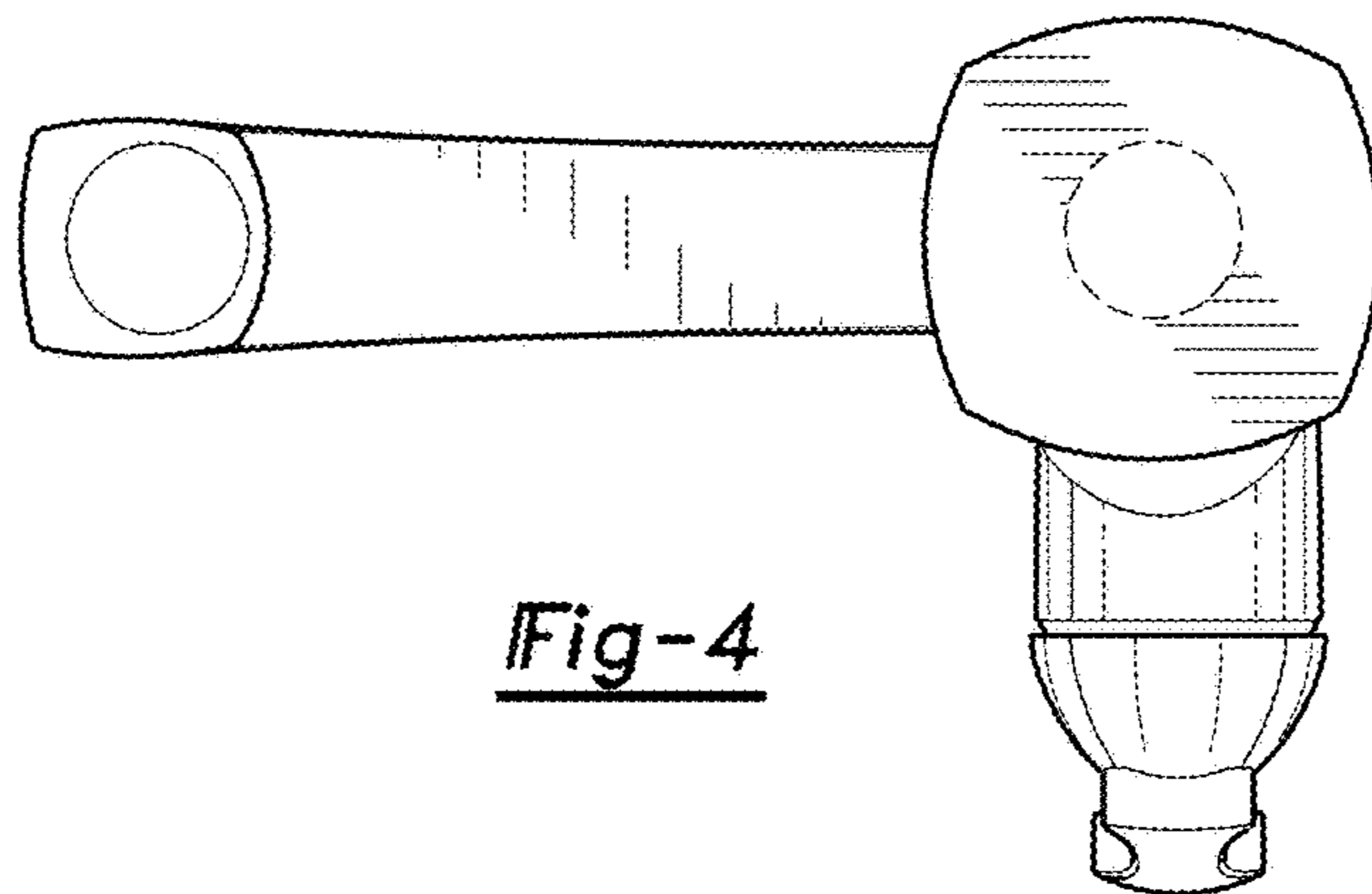


Fig-4

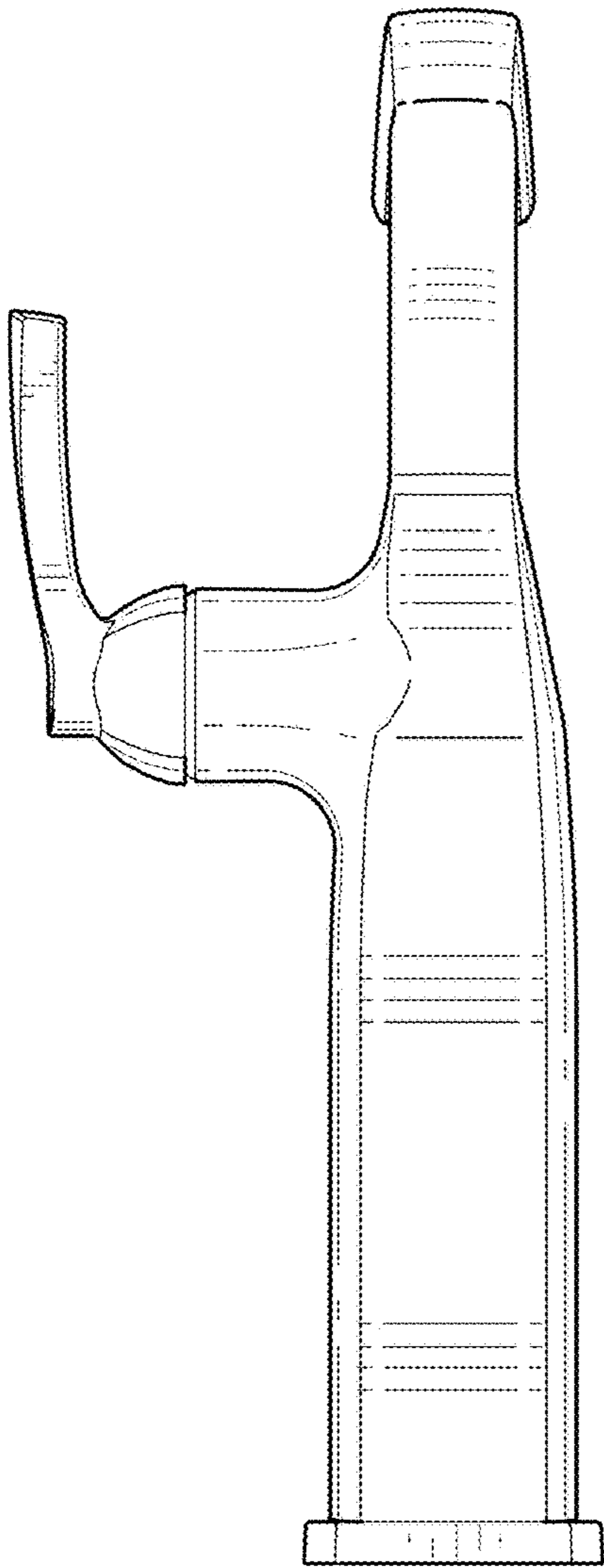


Fig-5

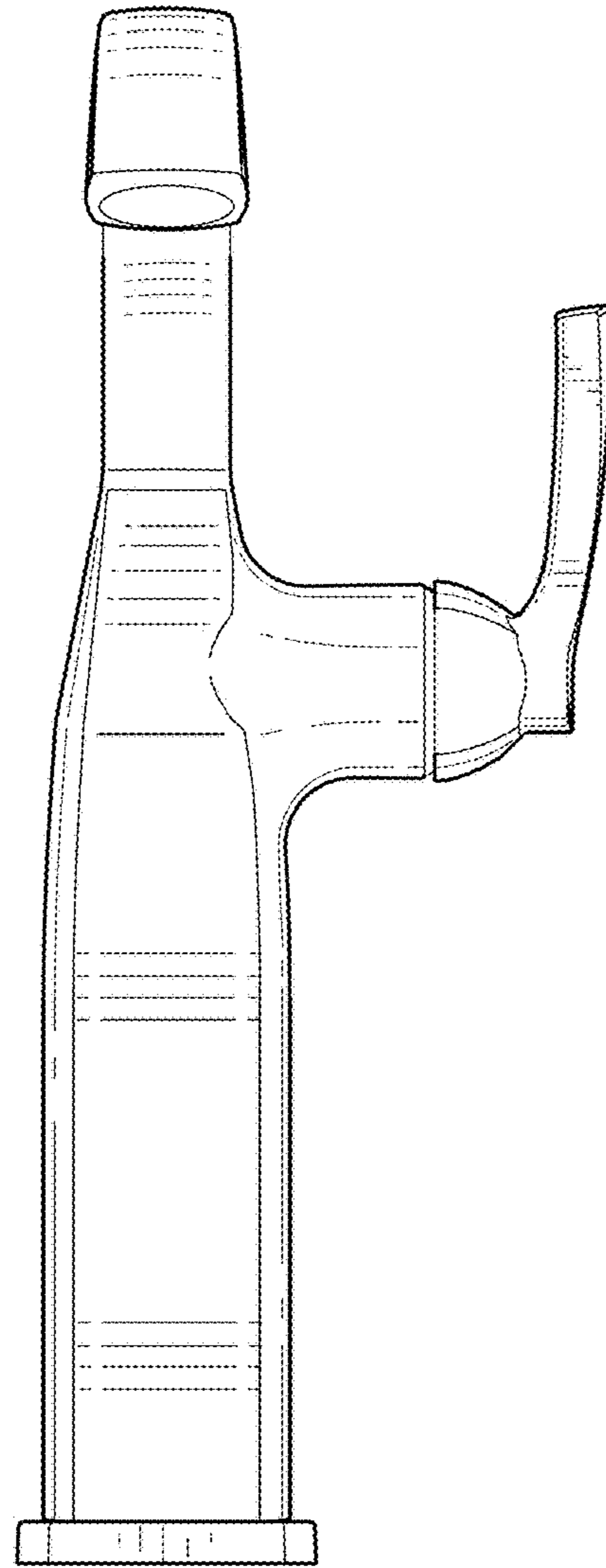


Fig-6

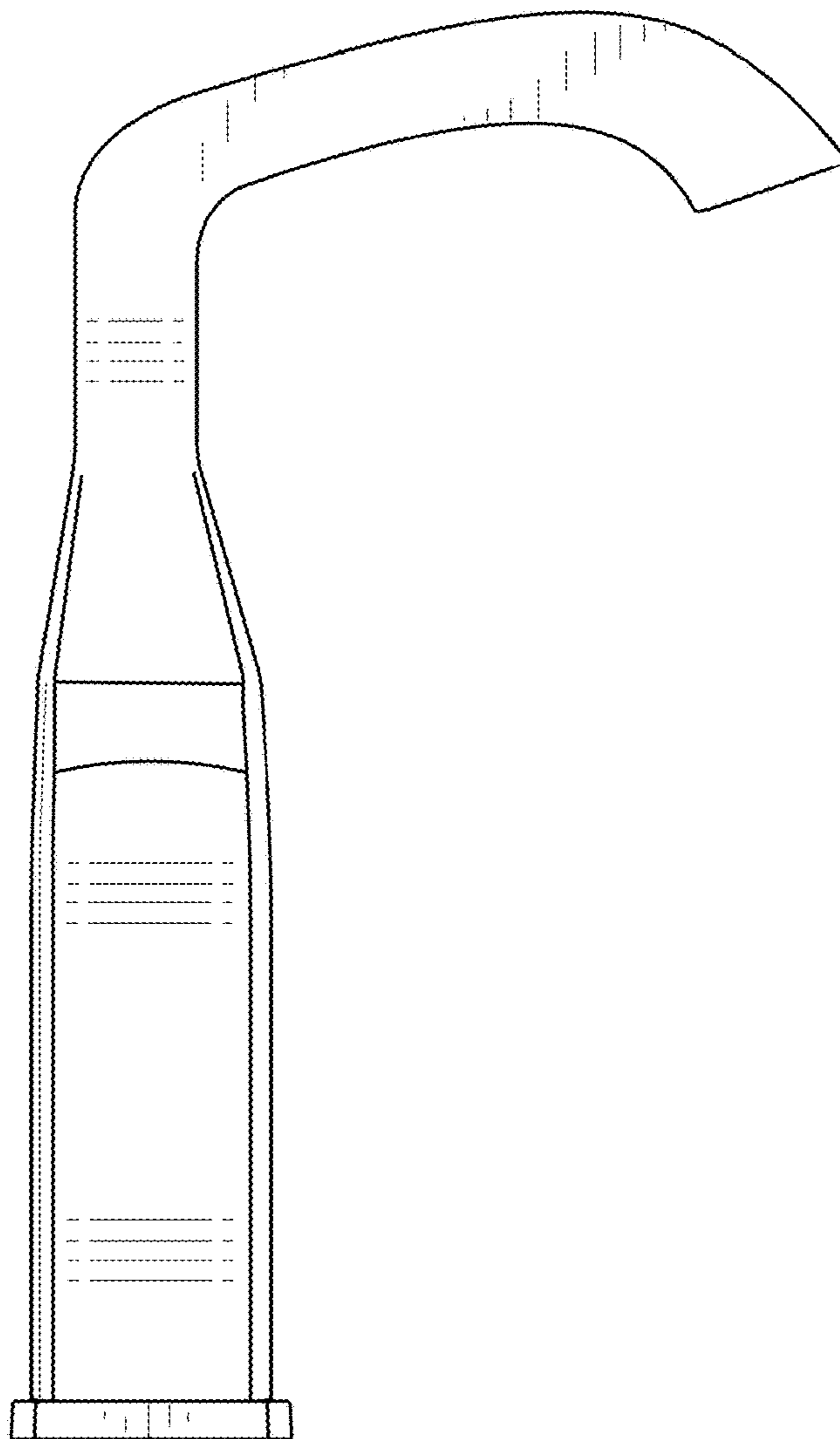


Fig-7