



US00D857165S

(12) **United States Design Patent**
Fukuhara

(10) **Patent No.:** **US D857,165 S**

(45) **Date of Patent:** **** *Aug. 20, 2019**

(54) **OPENING AND CLOSING VALVE**
(71) Applicant: **SMC CORPORATION**, Chiyoda-ku
(JP)

(72) Inventor: **Tomoharu Fukuhara**, Tsukuba (JP)

(73) Assignee: **SMC CORPORATION**, Chiyoda-ku
(JP)

(*) Notice: This patent is subject to a terminal disclaimer.

(**) Term: **15 Years**

(21) Appl. No.: **29/631,877**

(22) Filed: **Jan. 3, 2018**

(30) **Foreign Application Priority Data**

Jul. 28, 2017 (JP) 2017-016385

(51) **LOC (12) Cl.** **23-01**

(52) **U.S. Cl.**
USPC **D23/235**

(58) **Field of Classification Search**
USPC D23/233–237, 241–249, 200, 207, 209,
D23/210, 259–269, 310; 251/326, 118,
251/129.15, 129.01, 129.11, 62, 327, 213,
251/324, 63.5, 205, 215, 309–312, 904;
137/301, 315.18, 486, 487.5, 599.05,
137/601.14, 554, 630.12, 398, 545, 547,
137/549

CPC F16K 3/0281; F16K 3/0218; F16K 31/508;
F16K 37/00

See application file for complete search history.

(56) **References Cited**

U.S. PATENT DOCUMENTS

D318,713 S * 7/1991 Miyake D23/209
D410,525 S * 6/1999 Uehara D23/235
D416,076 S * 11/1999 Okitsu D23/235
D632,362 S * 2/2011 Ito D23/233
D633,986 S * 3/2011 Ito D23/233

D640,153 S * 6/2011 Okitsu D10/85
D640,154 S * 6/2011 Okitsu D10/85
D671,621 S * 11/2012 Ikenoya D23/245
D694,370 S * 11/2013 Wilcox D23/245
D820,955 S * 6/2018 Ito D23/235
D820,956 S * 6/2018 Ito D23/235

* cited by examiner

Primary Examiner — Cynthia Ramirez

Assistant Examiner — Gino Colan

(74) *Attorney, Agent, or Firm* — Oblon, McClelland,
Maier & Neustadt, L.L.P.

(57) **CLAIM**

The ornamental design for an opening and closing valve, as shown and described.

DESCRIPTION

FIG. 1 is a front, top, and right side perspective view of an opening and closing valve;

FIG. 2 is a rear, bottom, and left side perspective view thereof;

FIG. 3 is a front elevational view thereof, the rear elevational view being a mirror image of the front elevational view;

FIG. 4 is a top plan view thereof;

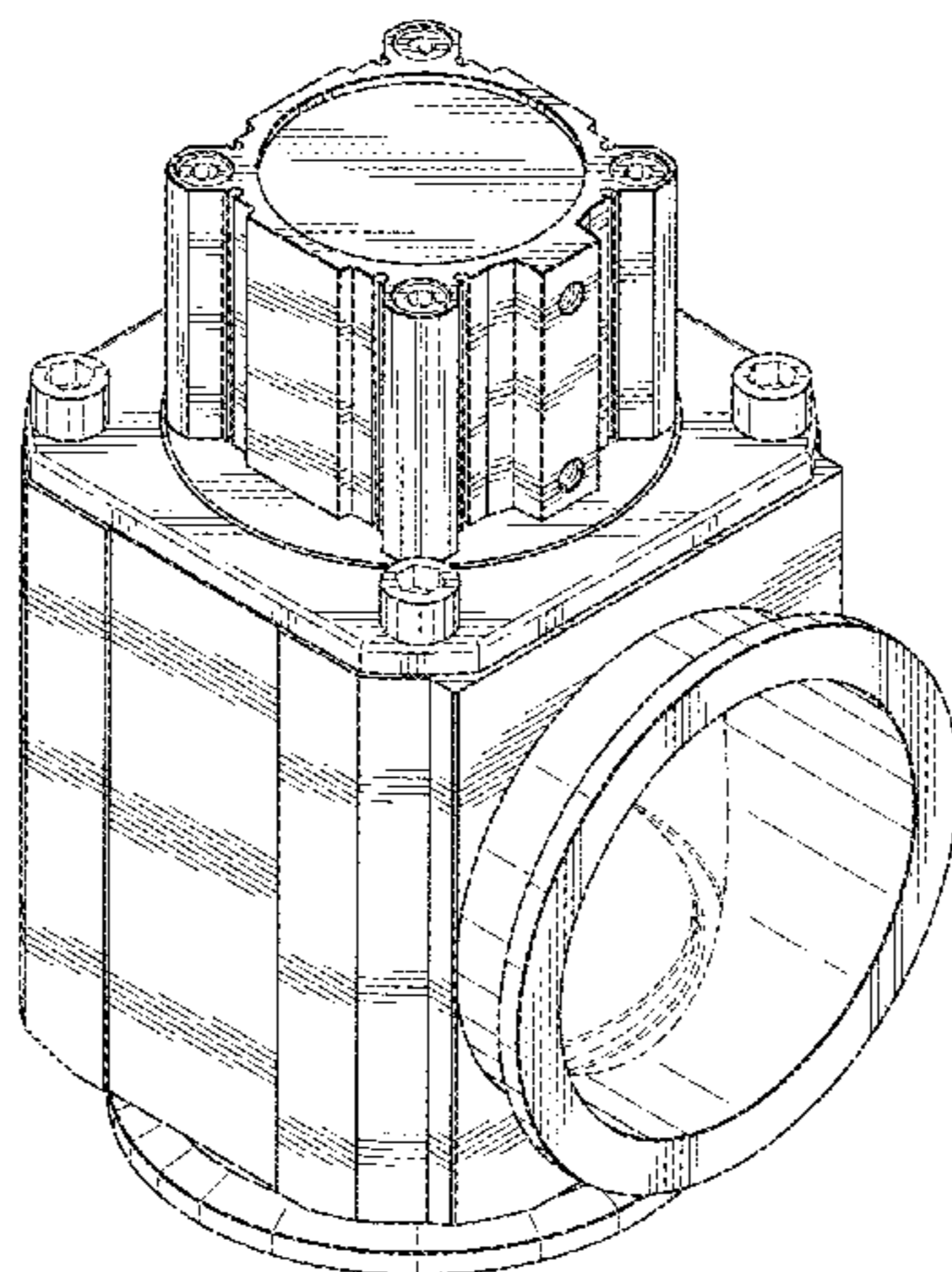
FIG. 5 is a bottom plan view thereof;

FIG. 6 is a left side elevational view thereof; and,

FIG. 7 is a right side elevational view thereof.

The broken lines in the drawings illustrate subject matter that forms no part of the claimed design.

1 Claim, 6 Drawing Sheets



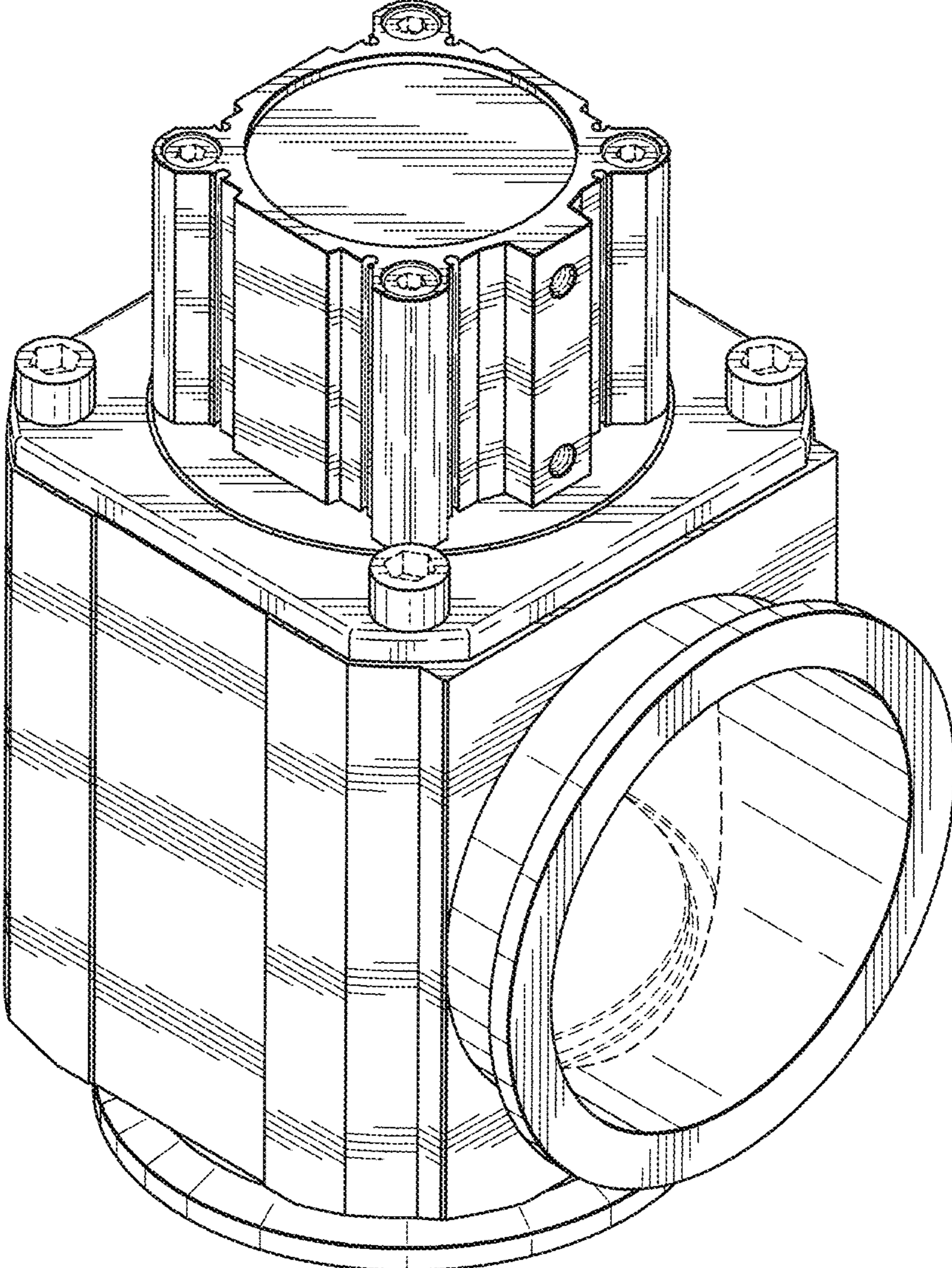


FIG. 1

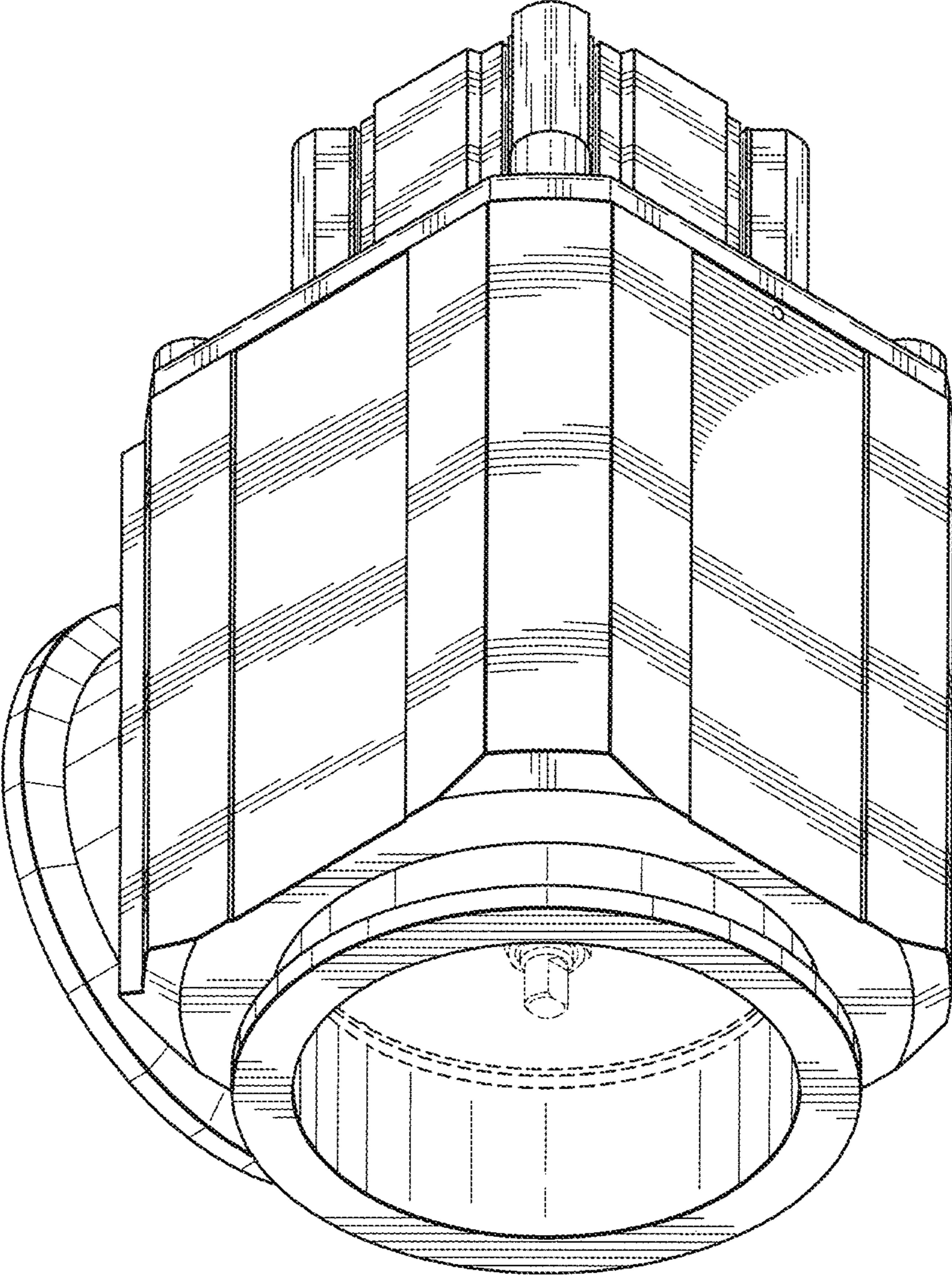


FIG. 2

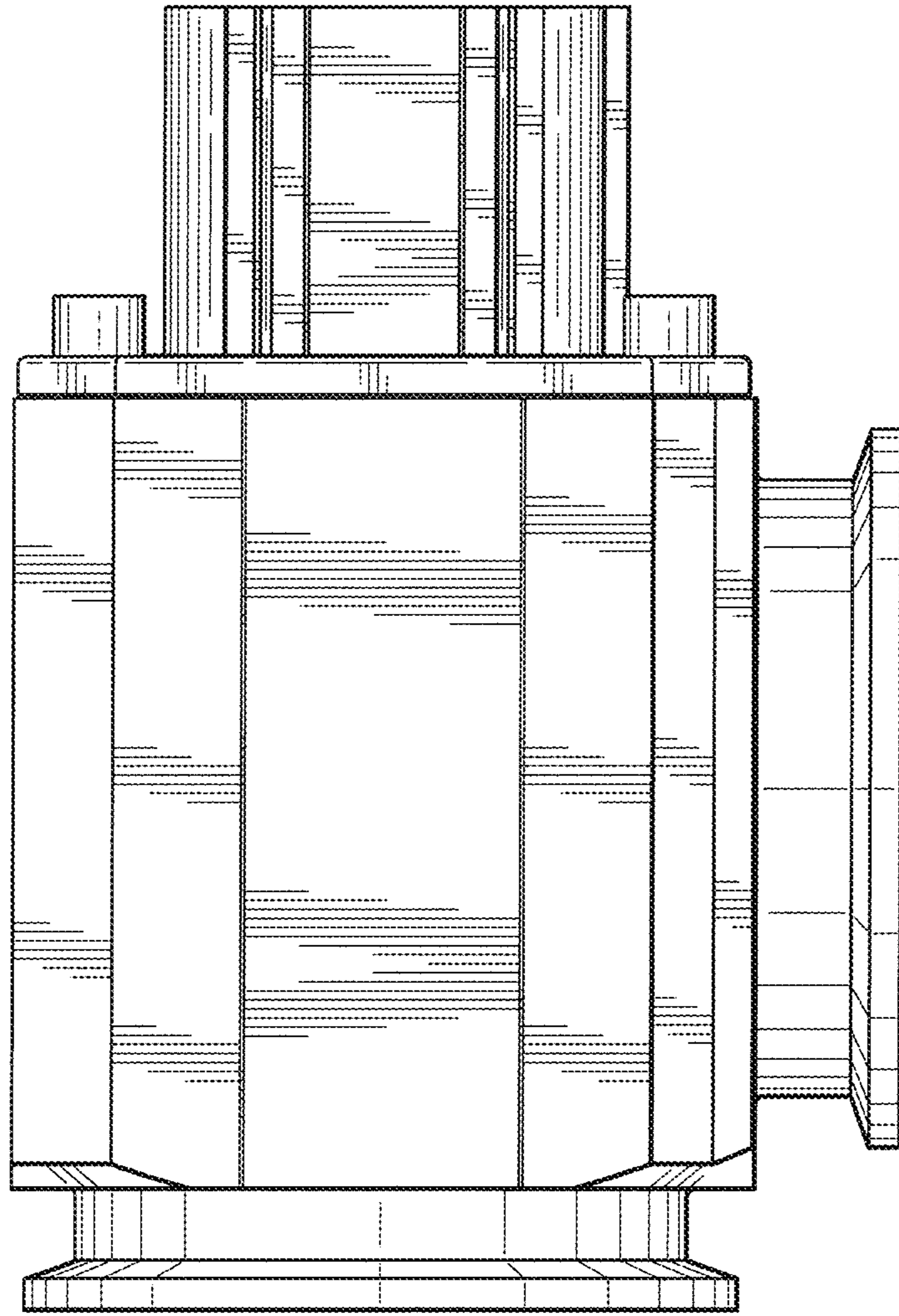


FIG. 3

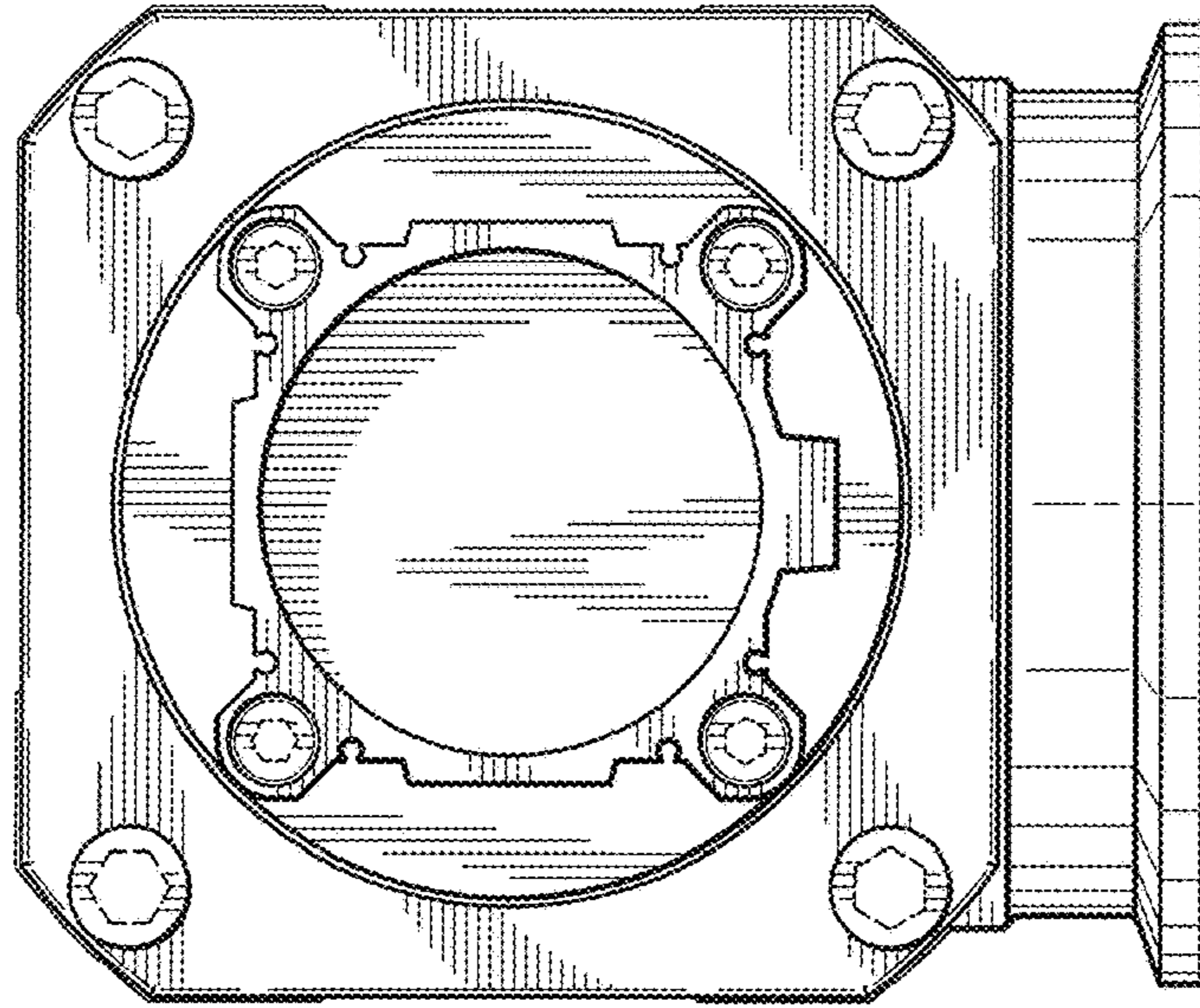


FIG. 4

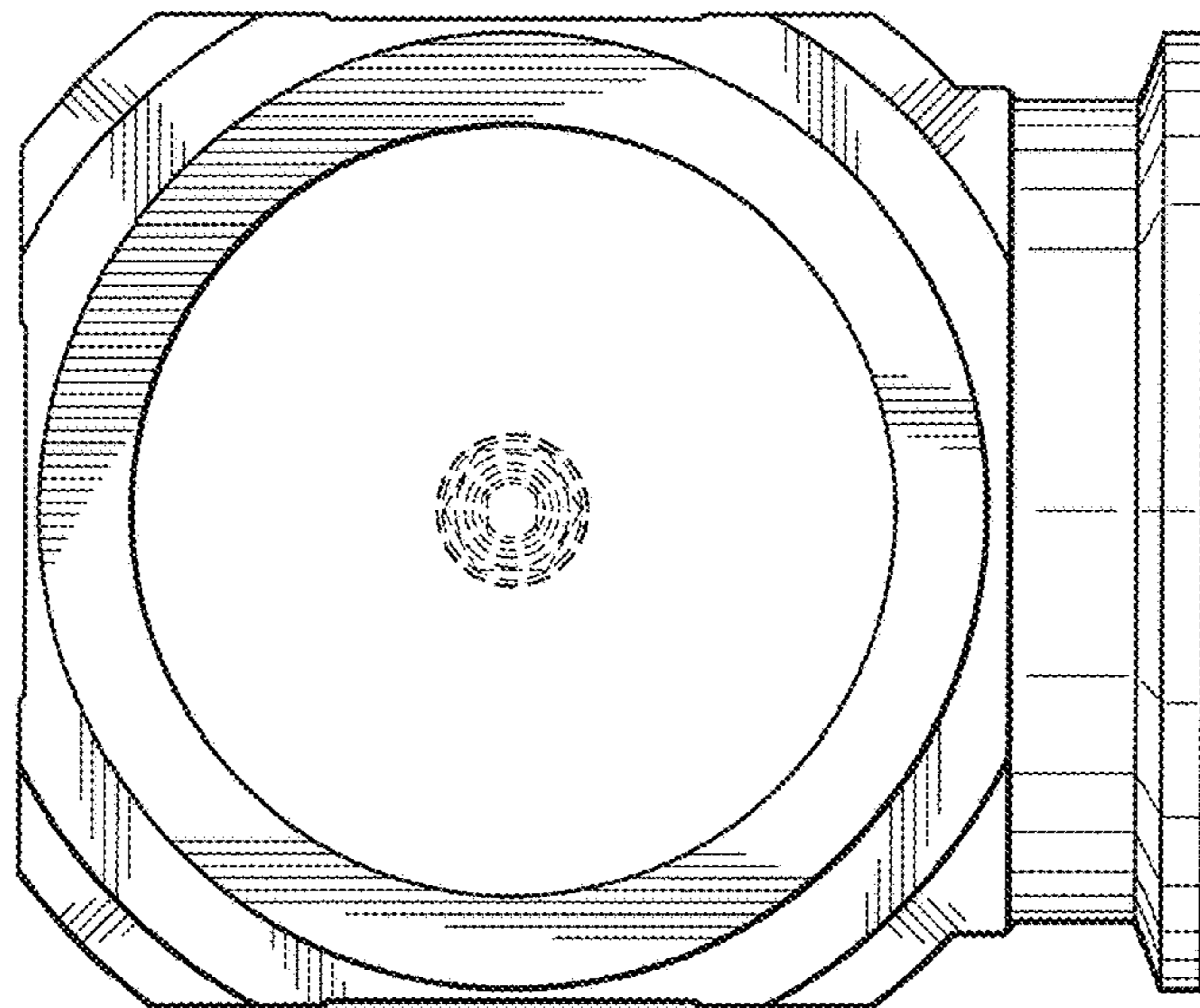


FIG. 5

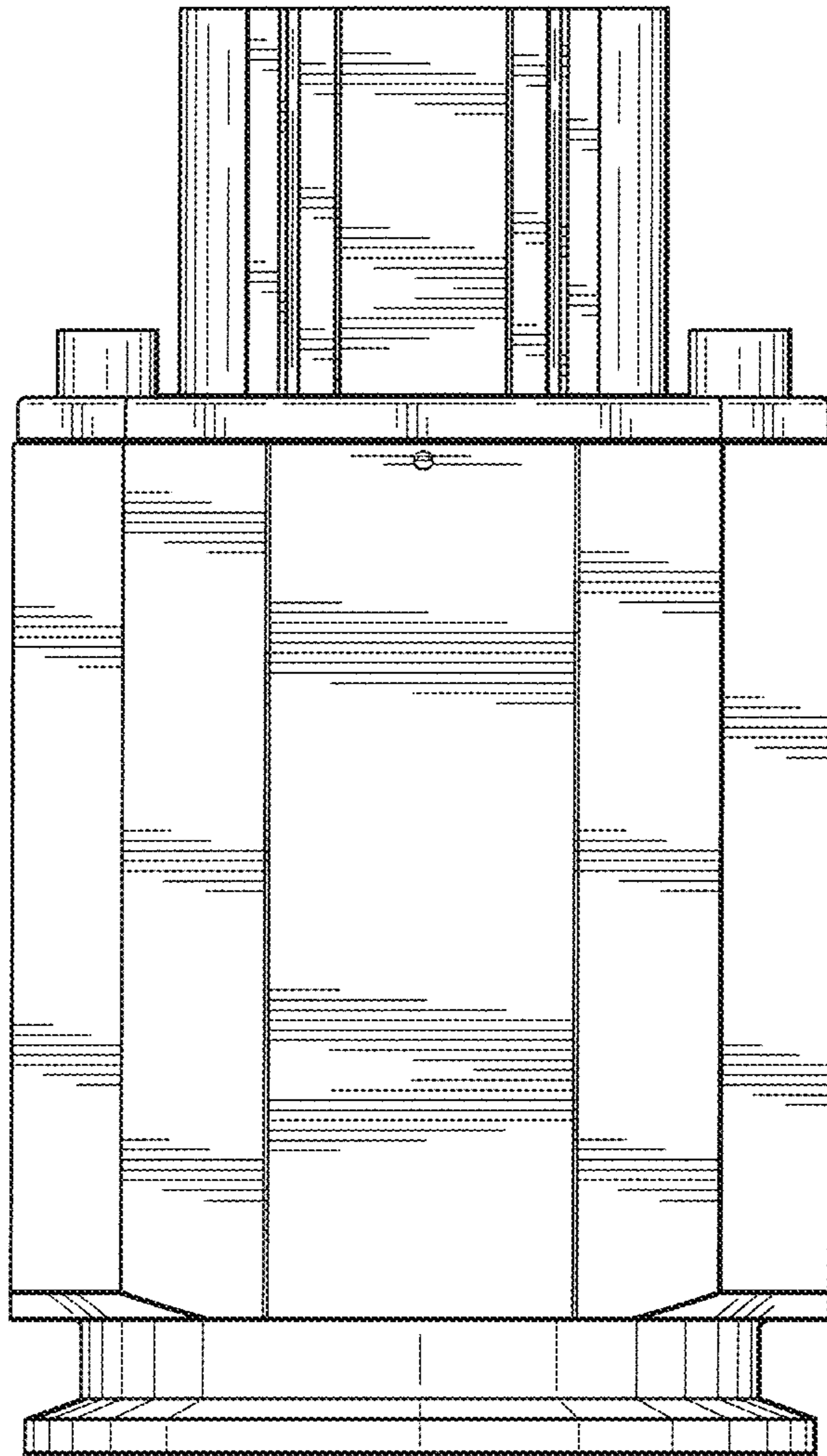


FIG. 6

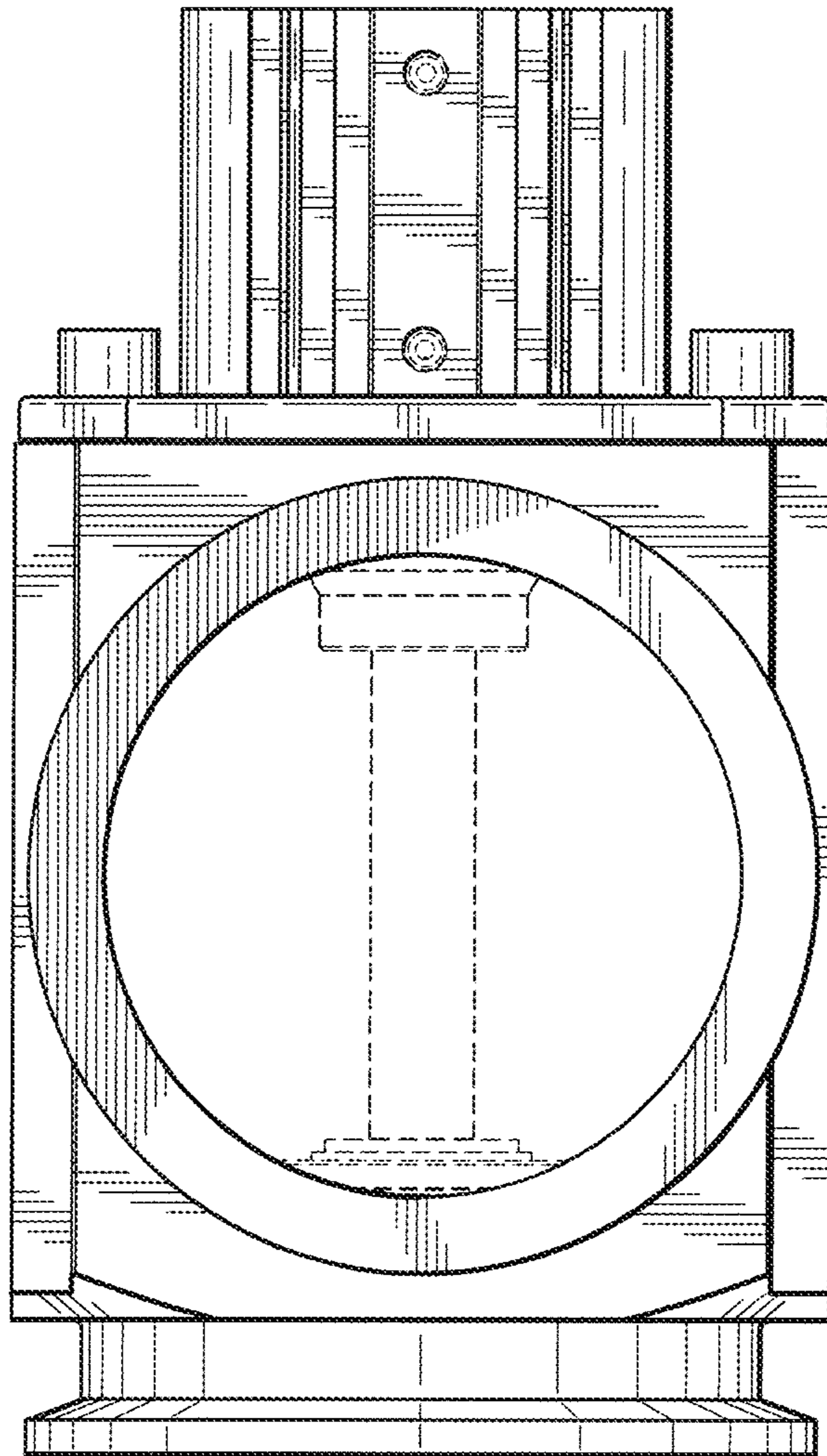


FIG. 7