



US00D857162S

(12) **United States Design Patent** (10) **Patent No.:** **US D857,162 S**  
**Dawson et al.** (45) **Date of Patent:** **\*\* Aug. 20, 2019**

(54) **AIRLESS SPRAYER**

(56) **References Cited**

- (71) Applicant: **Graco Minnesota Inc.**, Minneapolis, MN (US)
- (72) Inventors: **Charles W. Dawson**, Otsego, MN (US); **Diane L. Olson**, Elk River, MN (US); **Pamela J. Muetzel**, Maple Lake, MN (US)
- (73) Assignee: **Graco Minnesota Inc.**, Minneapolis, MN (US)
- (\*\*) Term: **15 Years**
- (21) Appl. No.: **29/676,745**
- (22) Filed: **Jan. 14, 2019**

U.S. PATENT DOCUMENTS

D630,708 S	1/2011	Blenkush et al.	
D633,176 S	2/2011	Blenkush et al.	
D651,691 S	1/2012	Muetzel et al.	
D664,628 S *	7/2012	Zhou .....	D23/225
D692,095 S	10/2013	Hines et al.	
D693,428 S *	11/2013	Tullney .....	D23/225
D713,500 S *	9/2014	Muhl .....	D23/225
D758,536 S	6/2016	Olson et al.	
D759,199 S	6/2016	Wrobel et al.	
D809,099 S *	1/2018	Tullney .....	D23/225
D814,610 S *	4/2018	Dawson .....	D23/225
D844,106 S	3/2019	Dawson et al.	

\* cited by examiner

*Primary Examiner* — Robin V Webster

**Related U.S. Application Data**

- (62) Division of application No. 29/638,033, filed on Feb. 23, 2018, now Pat. No. Des. 844,106, which is a division of application No. 29/590,907, filed on Jan. 13, 2017, now Pat. No. Des. 814,610.
- (51) **LOC (12) Cl.** ..... **23-01**
- (52) **U.S. Cl.**  
USPC ..... **D23/225**
- (58) **Field of Classification Search**  
USPC ..... D23/213, 223, 225; 239/310, 337, 340, 239/345, 361, DIG. 14; 222/333, 465.1, 222/383.1; D8/1-3  
CPC ..... B05B 7/2464; B05B 11/06; B05B 9/08; B05B 7/2408; B65D 83/20  
See application file for complete search history.

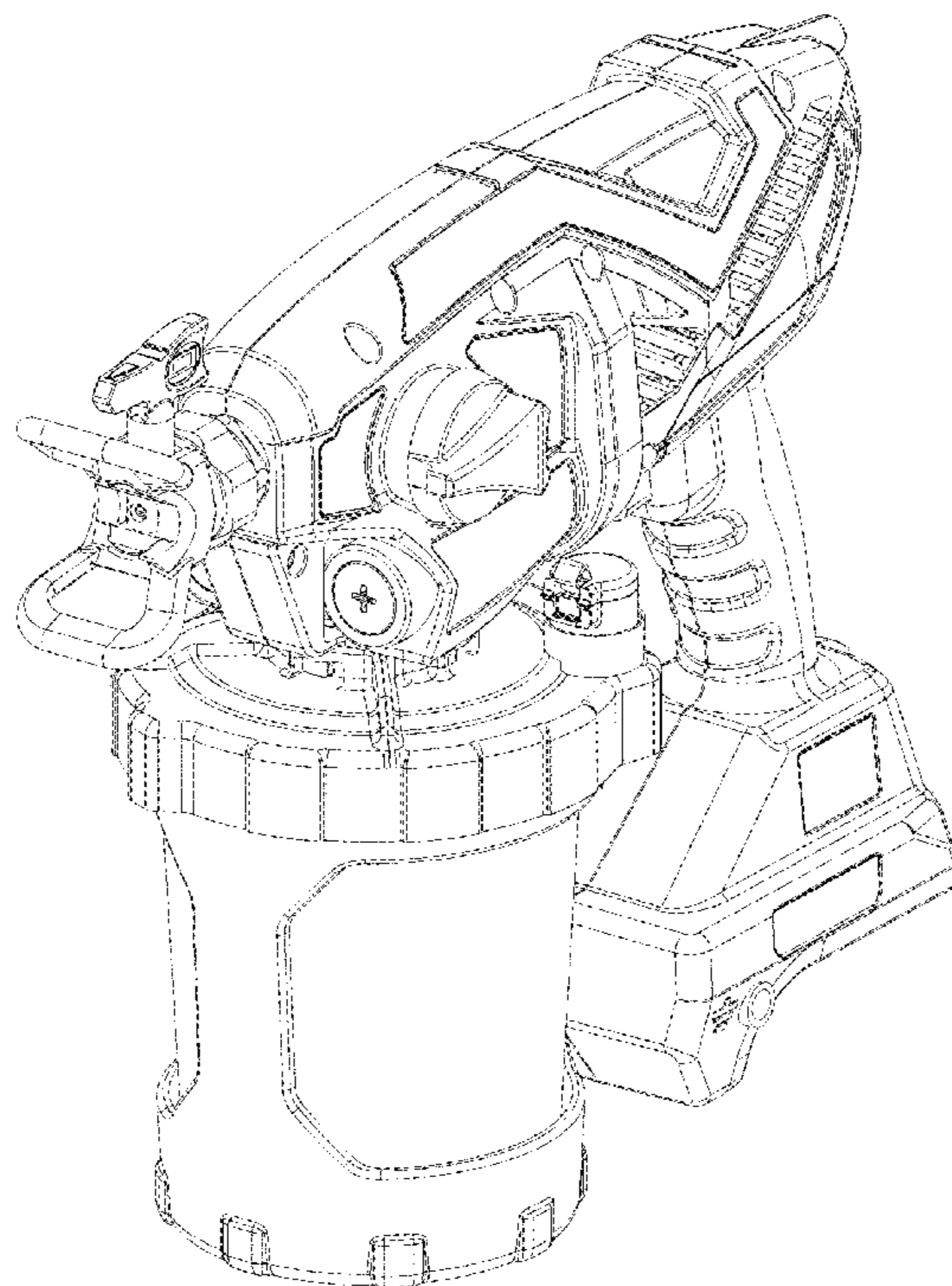
(57) **CLAIM**

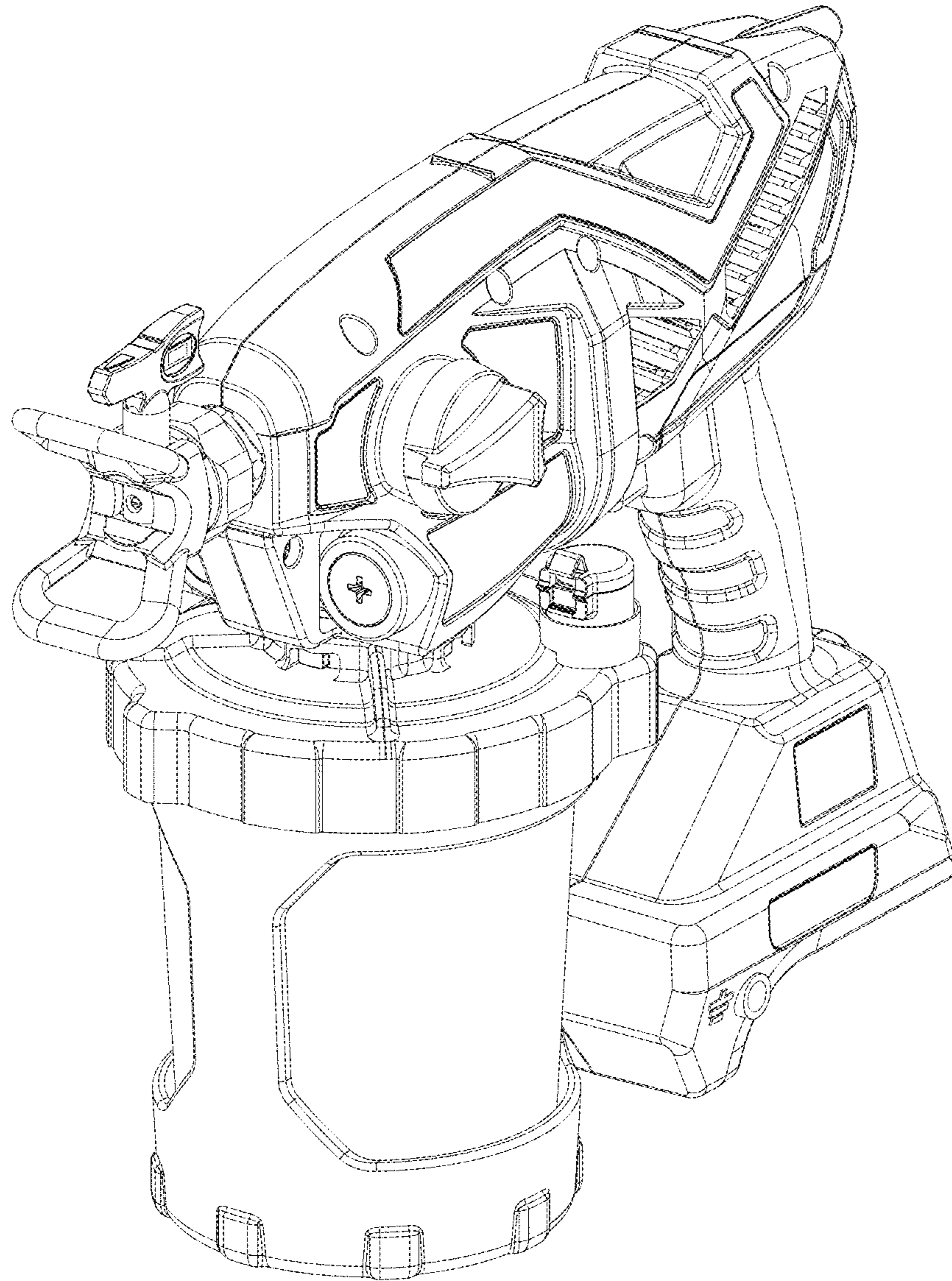
The ornamental design for an airless sprayer, as shown and described.

**DESCRIPTION**

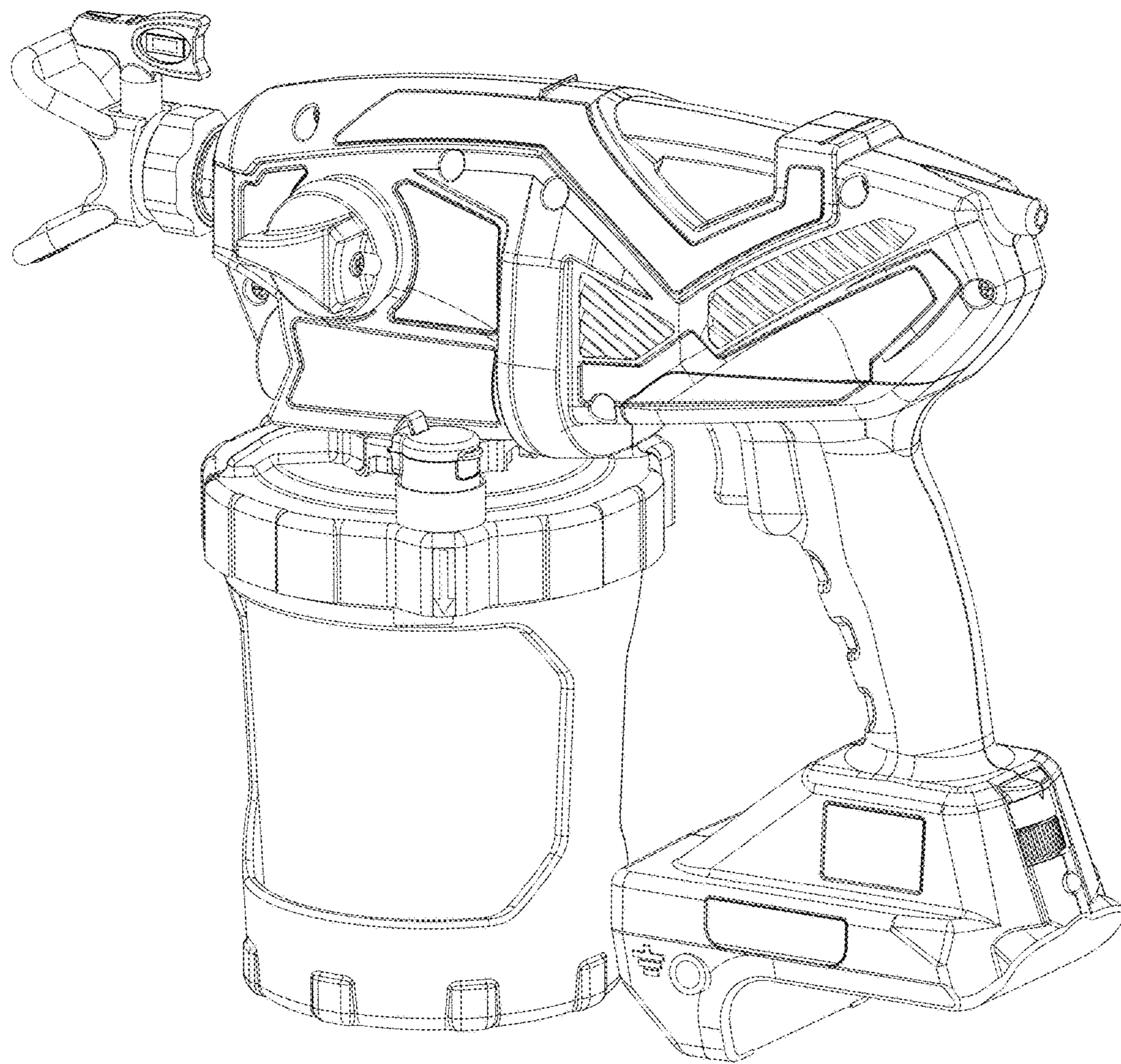
FIG. 1 is a front isometric view of an airless sprayer;  
 FIG. 2 is a rear isometric view thereof;  
 FIG. 3 is a front view thereof,  
 FIG. 4 is a right side view thereof;  
 FIG. 5 is a rear view thereof;  
 FIG. 6 is a left side view thereof;  
 FIG. 7 is a top view thereof; and,  
 FIG. 8 is a bottom view thereof.

**1 Claim, 8 Drawing Sheets**

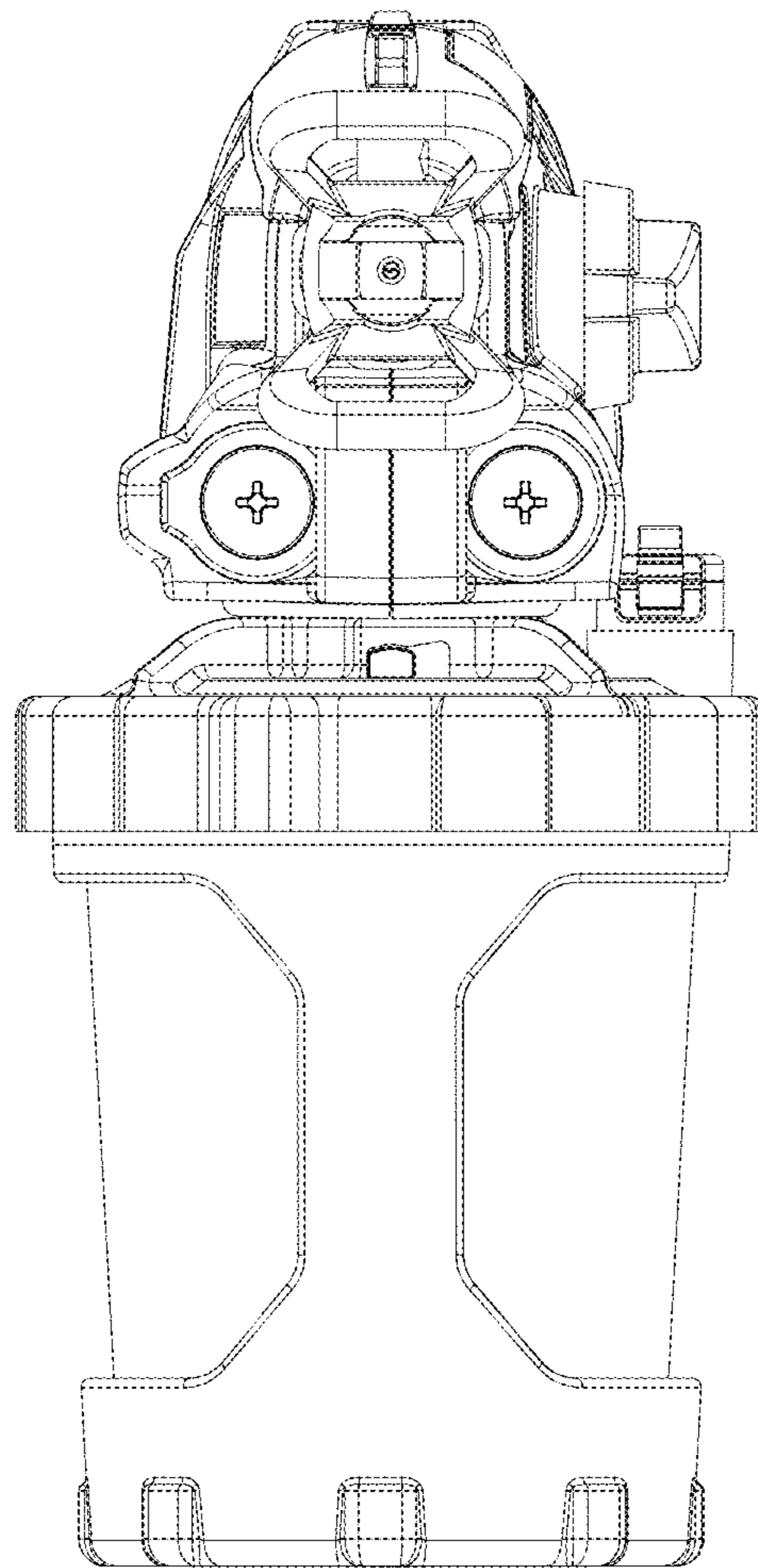




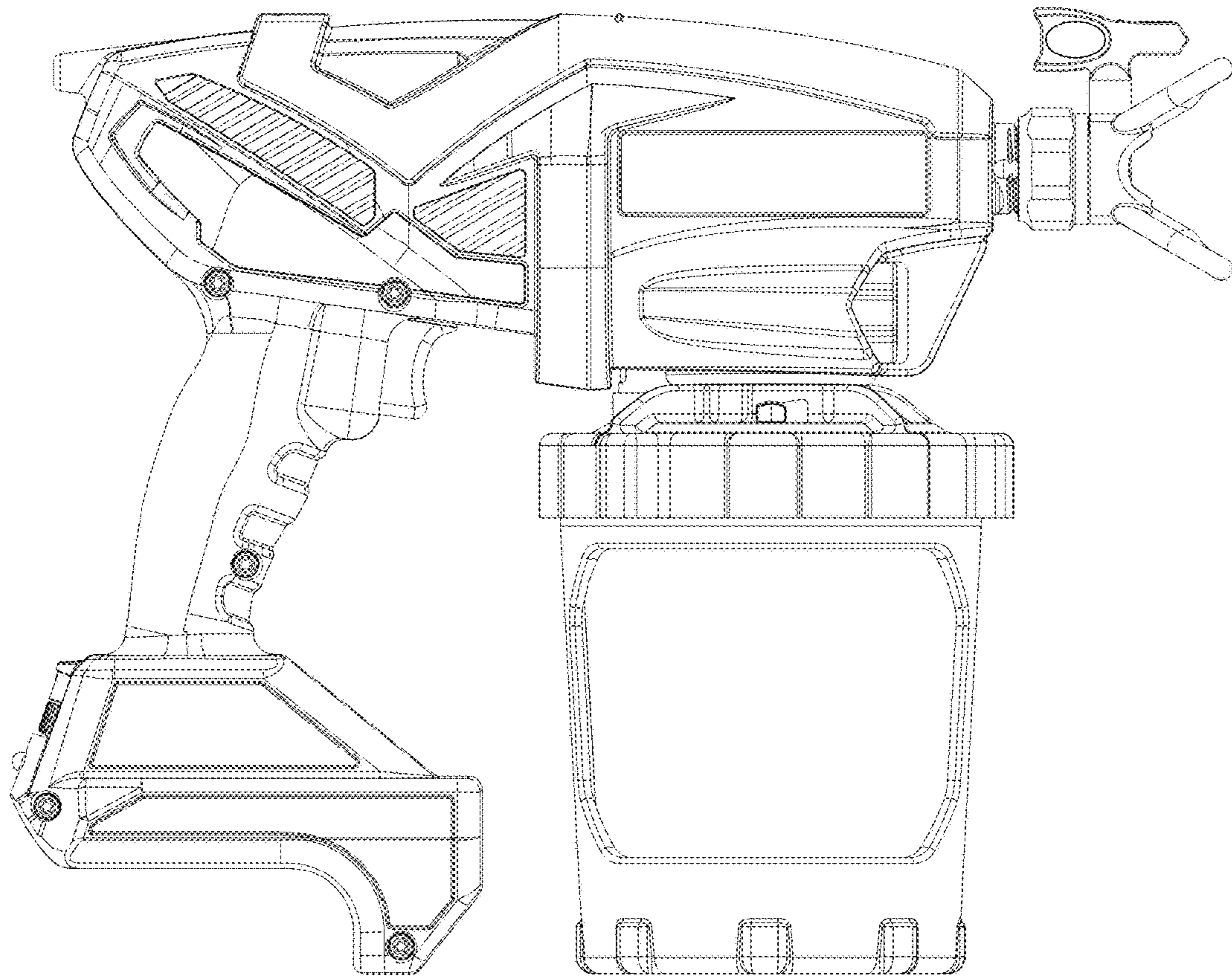
**FIG. 1**



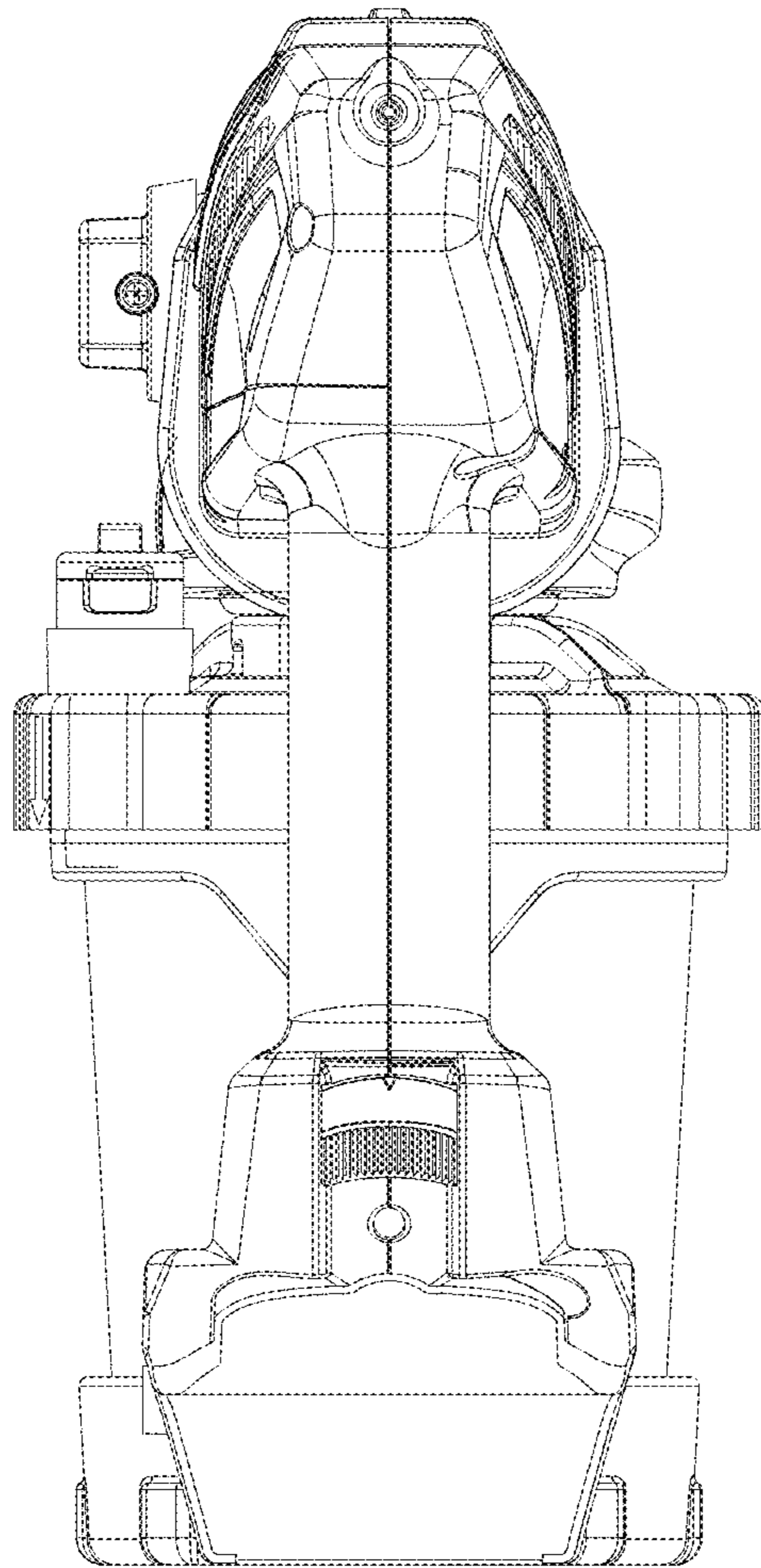
**FIG. 2**



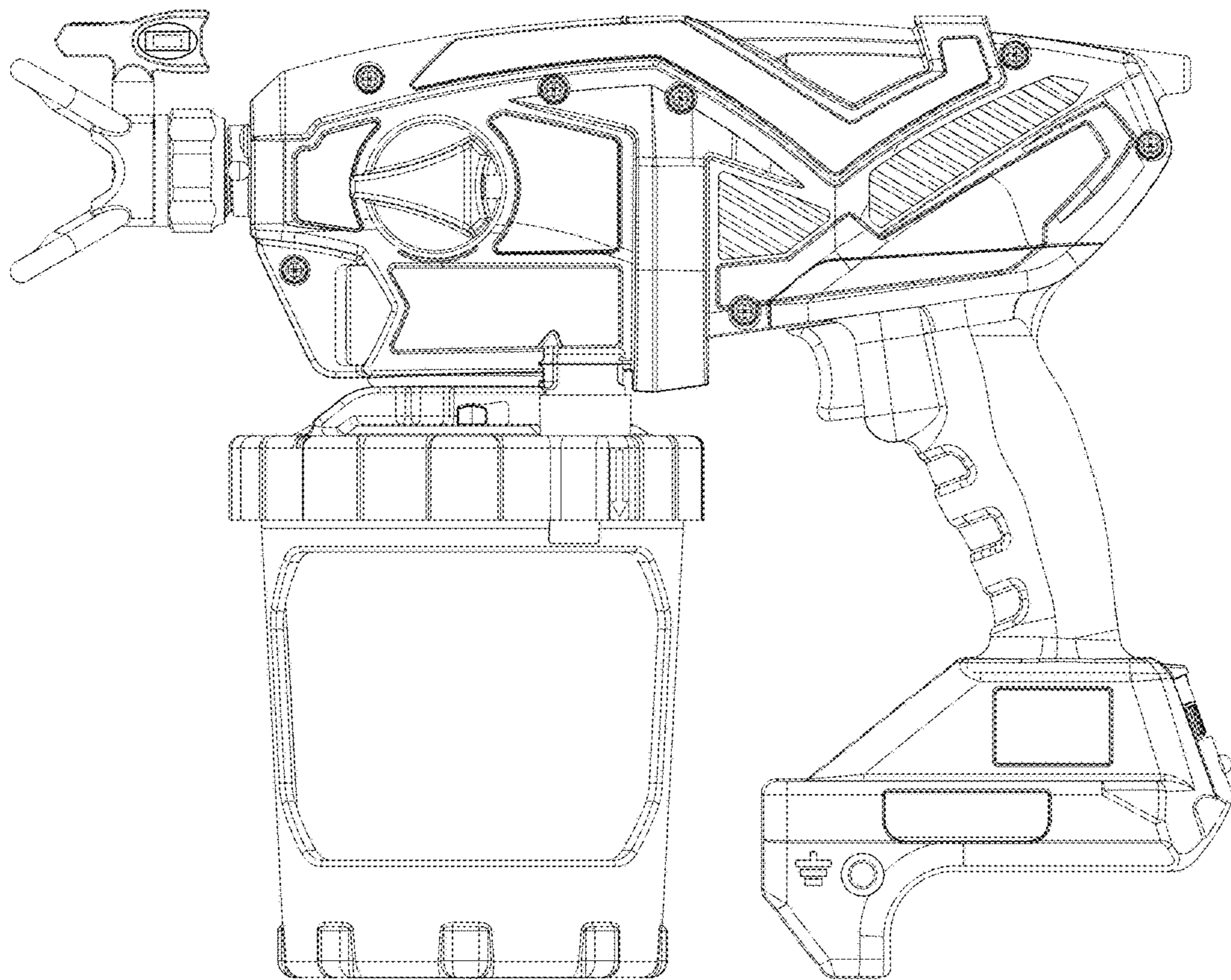
**FIG. 3**



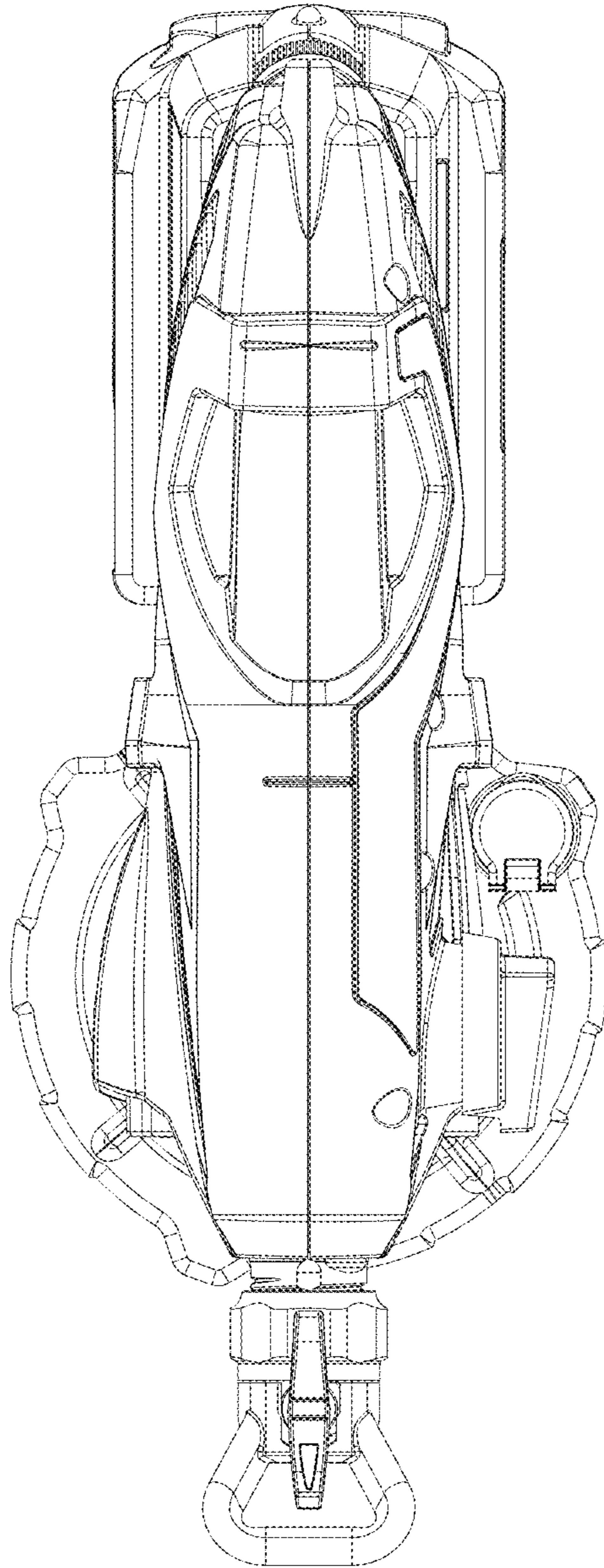
**FIG. 4**



**FIG. 5**

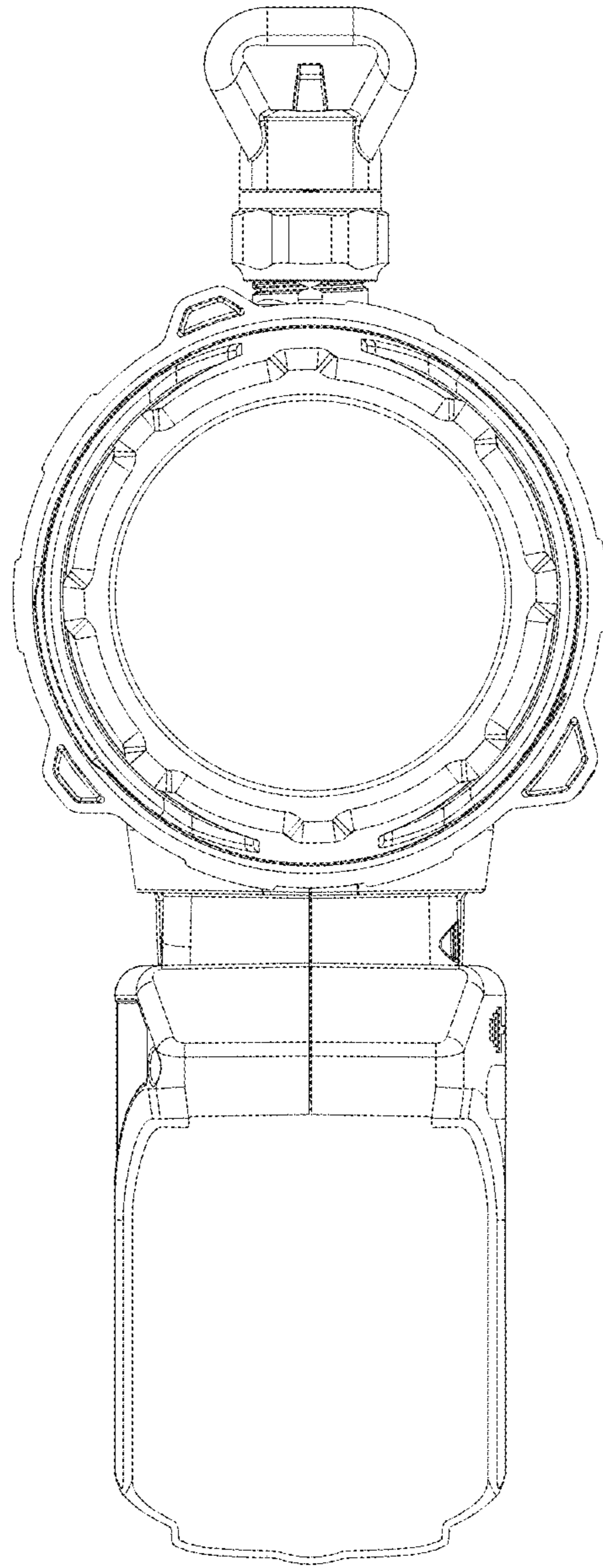


**FIG. 6**



**FIG. 7**





**FIG. 8**