



US00D857158S

(12) **United States Design Patent** (10) **Patent No.:** **US D857,158 S**
Zou (45) **Date of Patent:** **** Aug. 20, 2019**

- (54) **FILTER UNIT** 8,246,883 B2 * 8/2012 Bassett B01D 35/30
210/312
- (71) Applicant: **Qingdao Ecopure Filter Co., Ltd,** 8,354,024 B2 * 1/2013 Ihle B01D 35/30
Qingdao (CN) 210/238
- (72) Inventor: **Zhibin Zou,** Qingdao (CN) D752,707 S * 3/2016 Huda D23/209
D762,812 S * 8/2016 Branscomb D23/209
D776,237 S * 1/2017 Dong D23/207
- (73) Assignee: **QINGDAO ECOPURE FILTER CO.,** D820,948 S * 6/2018 An D23/209
LTD, Qingdao (CN) D835,752 S * 12/2018 Spiegel D23/209

(**) Term: **15 Years**

(21) Appl. No.: **29/635,286**

(22) Filed: **Jan. 30, 2018**

(51) **LOC (12) Cl.** **23-01**

(52) **U.S. Cl.**
USPC **D23/209**

(58) **Field of Classification Search**
USPC D23/207, 209, 228
CPC B05B 1/18; C02F 1/003; B01D 24/10;
B01D 35/30; B01D 35/153; B01D 27/08;
B01D 2201/30; B01D 2201/29
See application file for complete search history.

(56) **References Cited**

U.S. PATENT DOCUMENTS

- 6,325,929 B1 * 12/2001 Bassett B01D 61/18
210/238
- D547,822 S * 7/2007 Kennedy B01D 35/30
D23/207

* cited by examiner

Primary Examiner — Brandon M Rosati

Assistant Examiner — Calvin E Vasant

(74) *Attorney, Agent, or Firm* — Muncy, Geissler, Olds & Lowe, P.C.

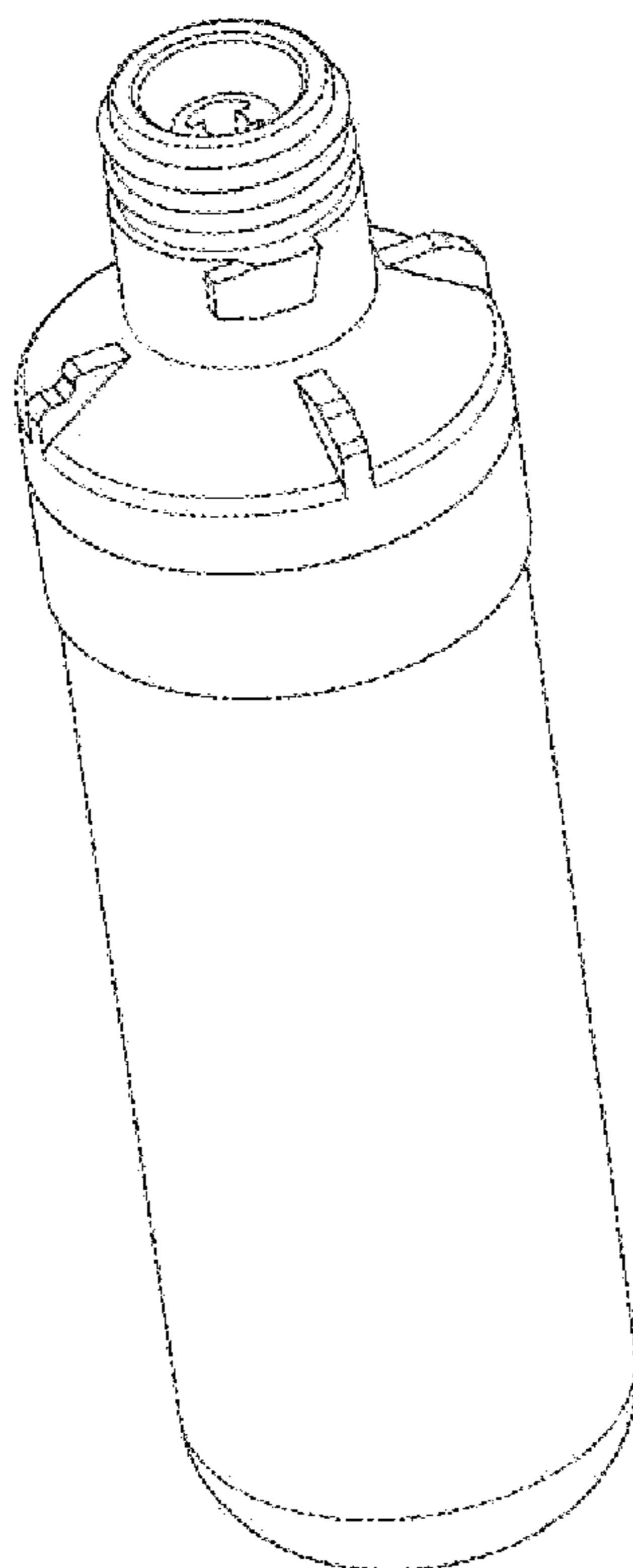
(57) **CLAIM**

The ornamental design for a filter unit, as shown and described.

DESCRIPTION

FIG. 1 is a Front elevational view of a filter unit showing my new design;
FIG. 2 is a Rear elevational view thereof;
FIG. 3 is a Left side view thereof;
FIG. 4 is a Right side view thereof;
FIG. 5 is a Top plan view thereof;
FIG. 6 is a Bottom plan view thereof; and,
FIG. 7 is a Perspective views thereof.

1 Claim, 7 Drawing Sheets



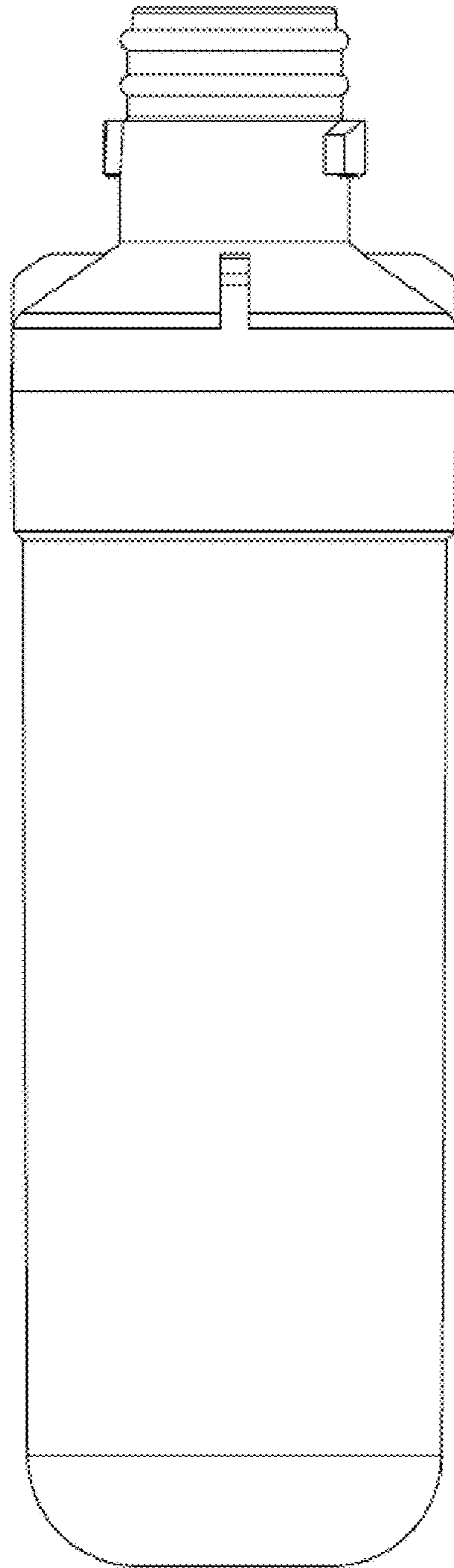


FIG. 1

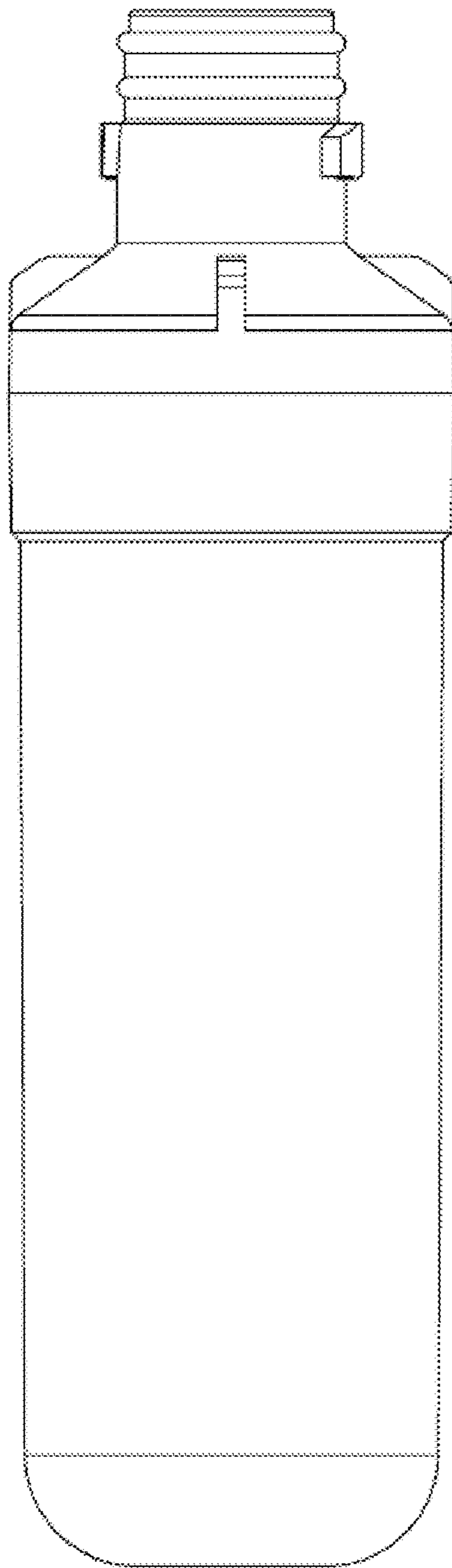


FIG. 2

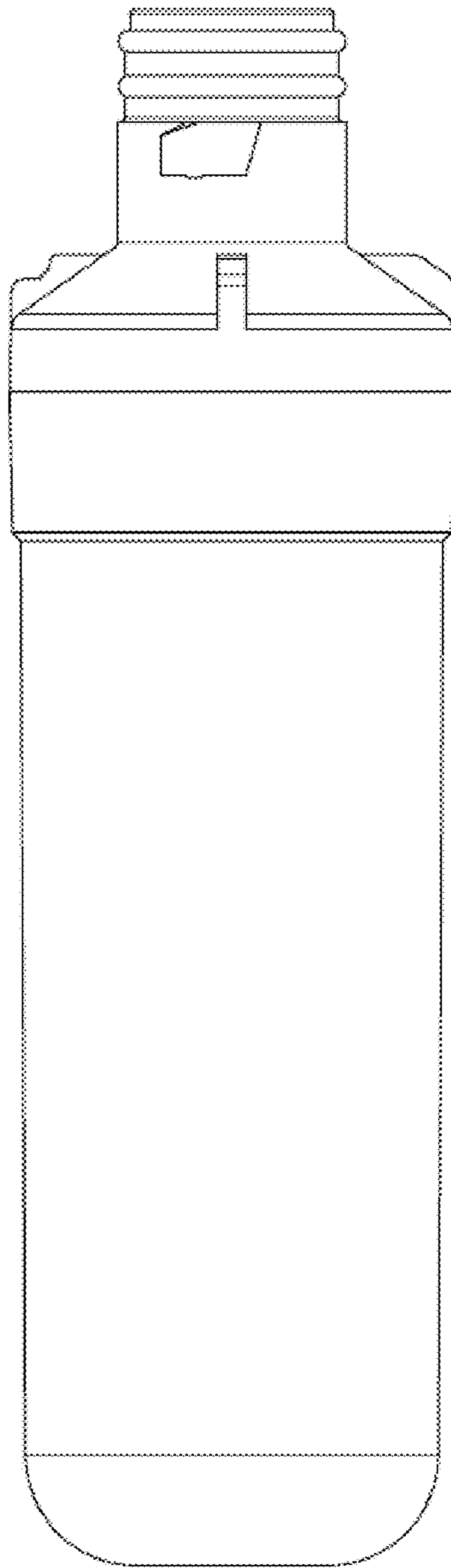


FIG. 3

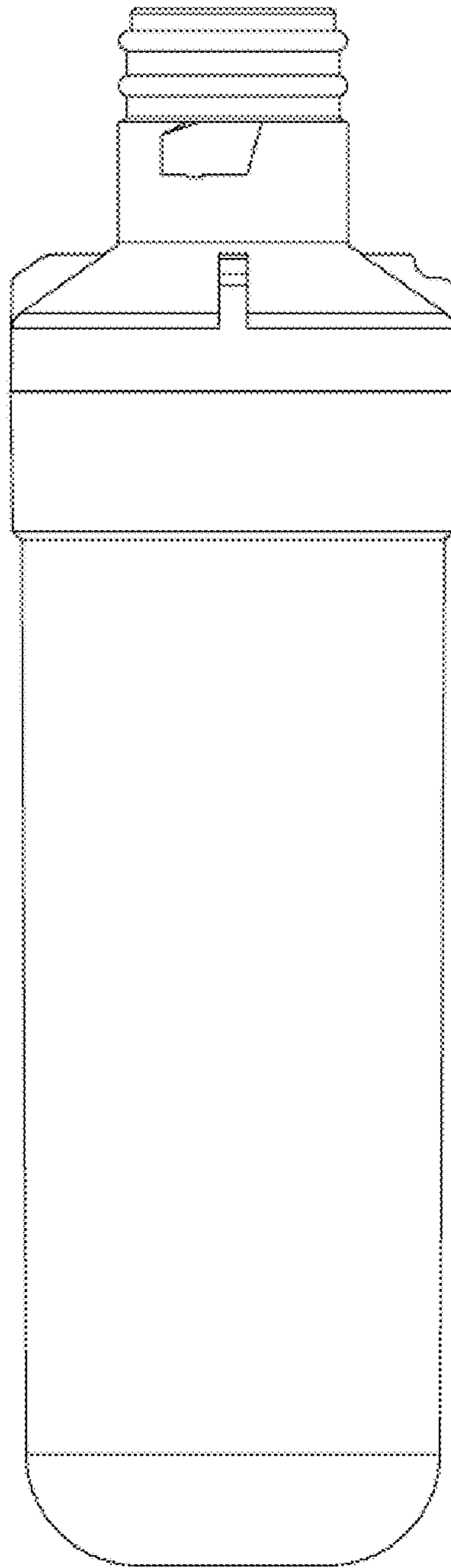


FIG. 4

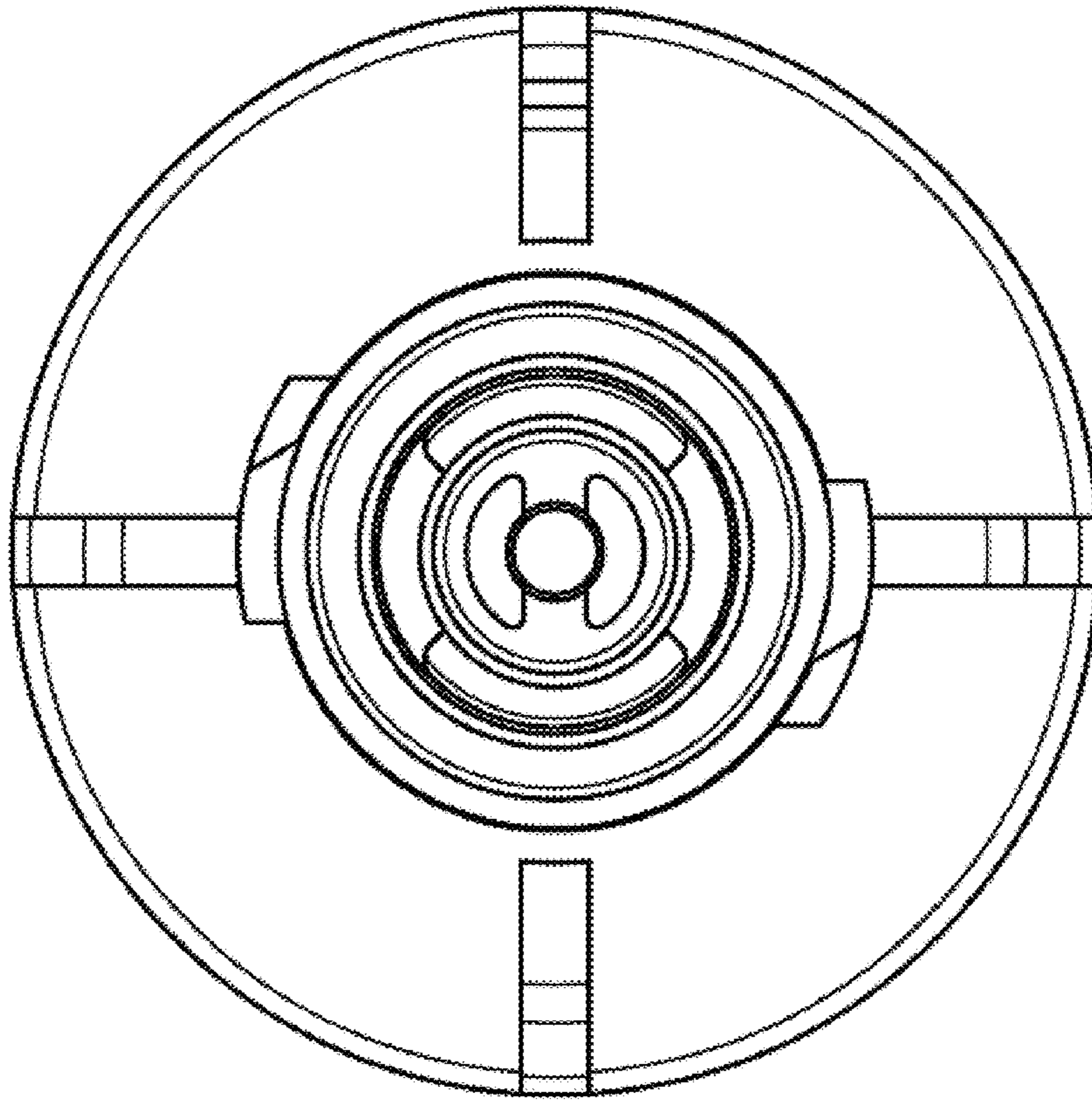


FIG. 5

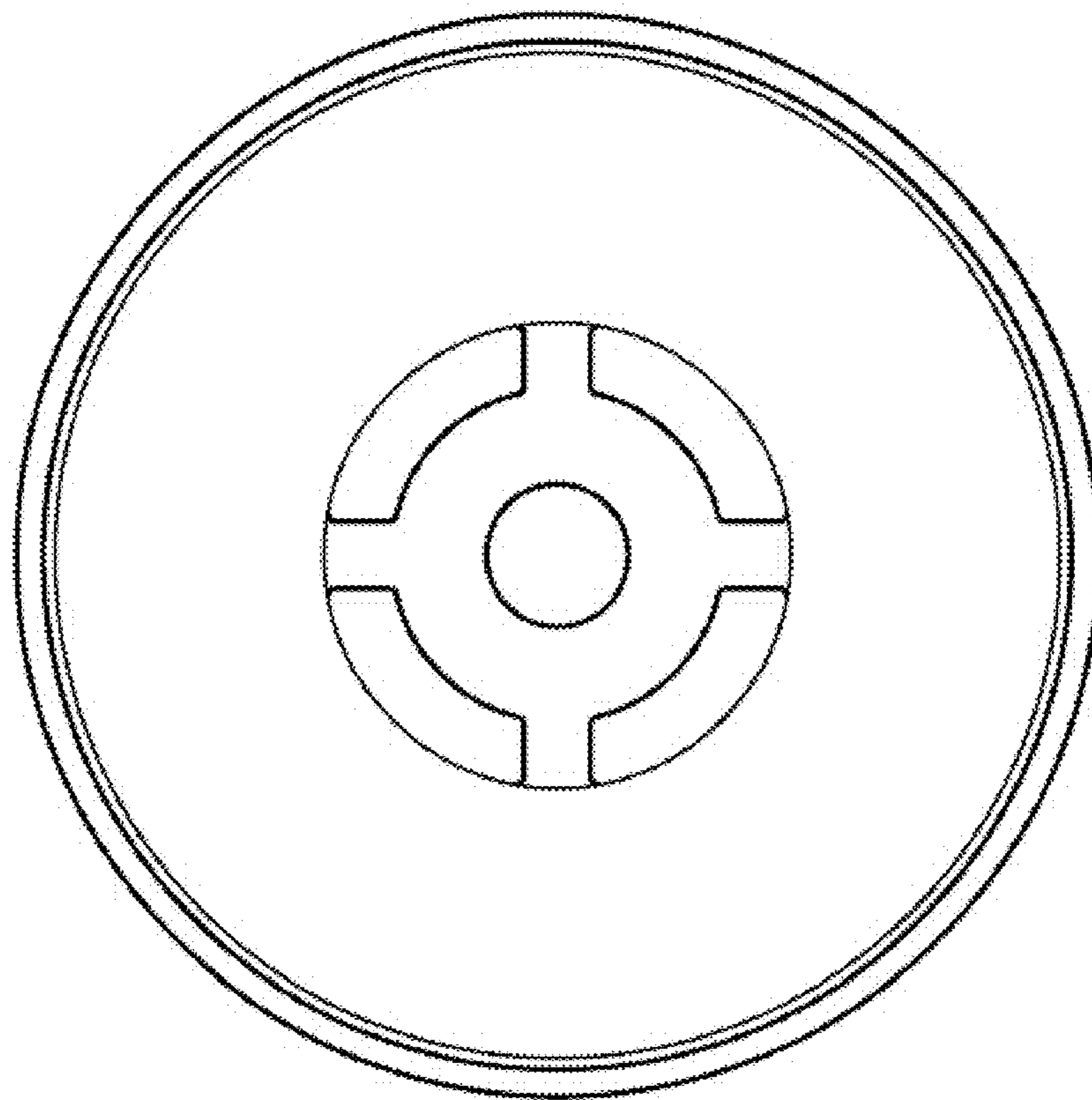


FIG. 6

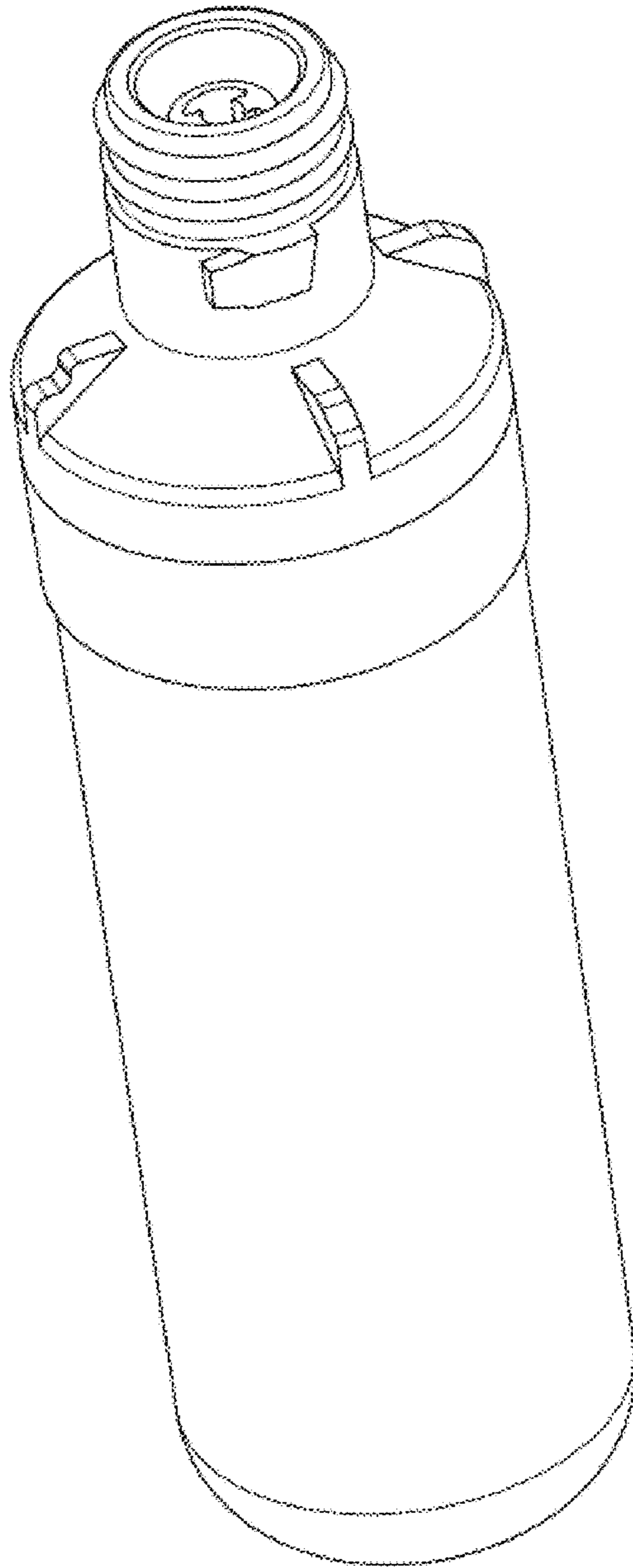


FIG. 7