



US00D857156S

(12) **United States Design Patent** (10) **Patent No.:** **US D857,156 S**
Hani (45) **Date of Patent:** **** Aug. 20, 2019**

(54) **CHEMICAL TABLET FOR AQUATIC SYSTEMS**

(71) Applicant: **INNOVATIVE WATER CARE, LLC**,
Wilmington, DE (US)

(72) Inventor: **Rahim Hani**, Alpharetta, GA (US)

(73) Assignee: **INNOVATIVE WATER CARE, LLC**,
Alpharetta, GA (US)

(**) Term: **15 Years**

(21) Appl. No.: **29/583,068**

(22) Filed: **Nov. 2, 2016**

(51) **LOC (12) Cl.** **23-01**

(52) **U.S. Cl.**
USPC **D23/208**

(58) **Field of Classification Search**
USPC D23/208; D24/101, 100; D21/308, 390;
D1/100
CPC A61K 9/20; A61K 9/209; A61K 9/5078;
A61K 9/167; A61K 9/2081; A61K 8/11
See application file for complete search history.

(56) **References Cited**

U.S. PATENT DOCUMENTS

3,856,932 A 12/1974 May
D283,649 S 4/1986 Casberg
D291,881 S * 9/1987 Koushiefes D11/90
4,691,998 A * 9/1987 Sakagaito G02B 26/121
359/216.1

(Continued)

OTHER PUBLICATIONS

<http://www.sears.com/toys-games-swimming-pools-accessories-swimming-pools/b-1314825684?Brand=Lonza%20Microbial&offer=All%20Items%20On%20Sale&filterList=Brand%7Coffer>.
<http://www.hthpools.com/pool/pool-products/sanitize#qI1UVV1kCB3jISpu.97>.

Primary Examiner — Catherine R Oliver-Garcia
Assistant Examiner — J. Thorn, Sr.
(74) *Attorney, Agent, or Firm* — Brown Rudnick LLP

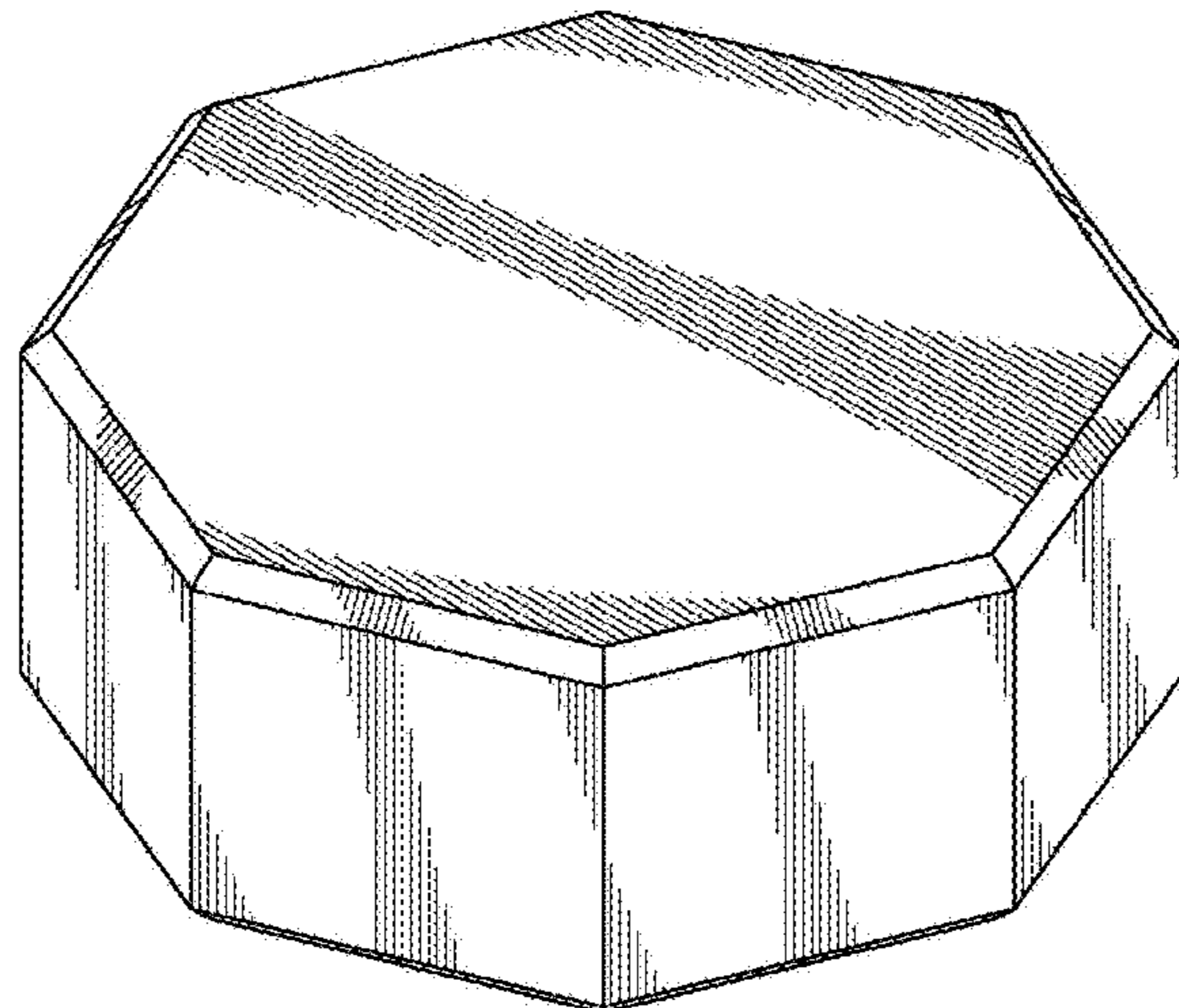
(57) **CLAIM**

The ornamental design for a chemical tablet for aquatic systems, as shown and described.

DESCRIPTION

FIG. 1 is a perspective view of a chemical tablet for aquatic systems showing my new design;
FIG. 2 is a first side view of the chemical tablet for aquatic systems;
FIG. 3 is a second side view of the chemical tablet for aquatic systems;
FIG. 4 is a third side view of the chemical tablet for aquatic systems;
FIG. 5 is a fourth side view of the chemical tablet for aquatic systems;
FIG. 6 is a top view of the chemical tablet for aquatic systems;
FIG. 7 is a bottom view of the chemical tablet for aquatic systems
FIG. 8 is a perspective view of another embodiment of a chemical tablet for aquatic systems showing my new design
FIG. 9 is a side view of the chemical tablet for aquatic systems as shown in FIG. 8;
FIG. 10 is a bottom view of the chemical tablet for aquatic systems as shown in 8;
FIG. 11 is a perspective view of yet another embodiment of a chemical tablet for aquatic systems showing my new design;
FIG. 12 is a side view of the chemical tablet for aquatic systems as shown in FIG. 8; and,
FIG. 13 is a bottom view of the chemical tablet for aquatic systems as shown in 8.
The chemical tablet as shown in FIGS. 1-13 is intended to be placed in an aquatic system. Once placed in an aquatic system, the chemical tablet dissolves over time releasing one or more chemicals into the aquatic system.

1 Claim, 8 Drawing Sheets



(56)

References Cited

U.S. PATENT DOCUMENTS

4,727,410 A * 2/1988 Higgins, III H01L 23/13
174/538

4,876,003 A 10/1989 Casberg

D414,895 S * 10/1999 Olson D1/100

D447,835 S * 9/2001 Whitaker D1/130

D449,881 S * 10/2001 Mock, Sr. D24/101

D503,771 S * 4/2005 Costa D23/208

D516,668 S * 3/2006 Costa D23/208

D549,829 S * 8/2007 Jodaikin D1/100

D685,081 S * 6/2013 Ferguson D24/101

D693,675 S * 11/2013 Staller D9/430

D727,491 S * 4/2015 LaGratta D24/101

D732,614 S * 6/2015 Davies, III D21/680

D765,828 S * 9/2016 Kane D24/101

D780,303 S * 2/2017 Kassouni D24/101

D803,465 S * 11/2017 Livesay D26/104

2006/0081810 A1 4/2006 Blanchette et al.

2014/0234415 A1 * 8/2014 McDermott A61K 31/7068
424/465

2017/0143637 A1 * 5/2017 Haswani A61K 9/2081

2017/0156999 A1 * 6/2017 Harris A61K 8/11

2017/0348240 A1 * 12/2017 McKenna A61K 9/2018

* cited by examiner

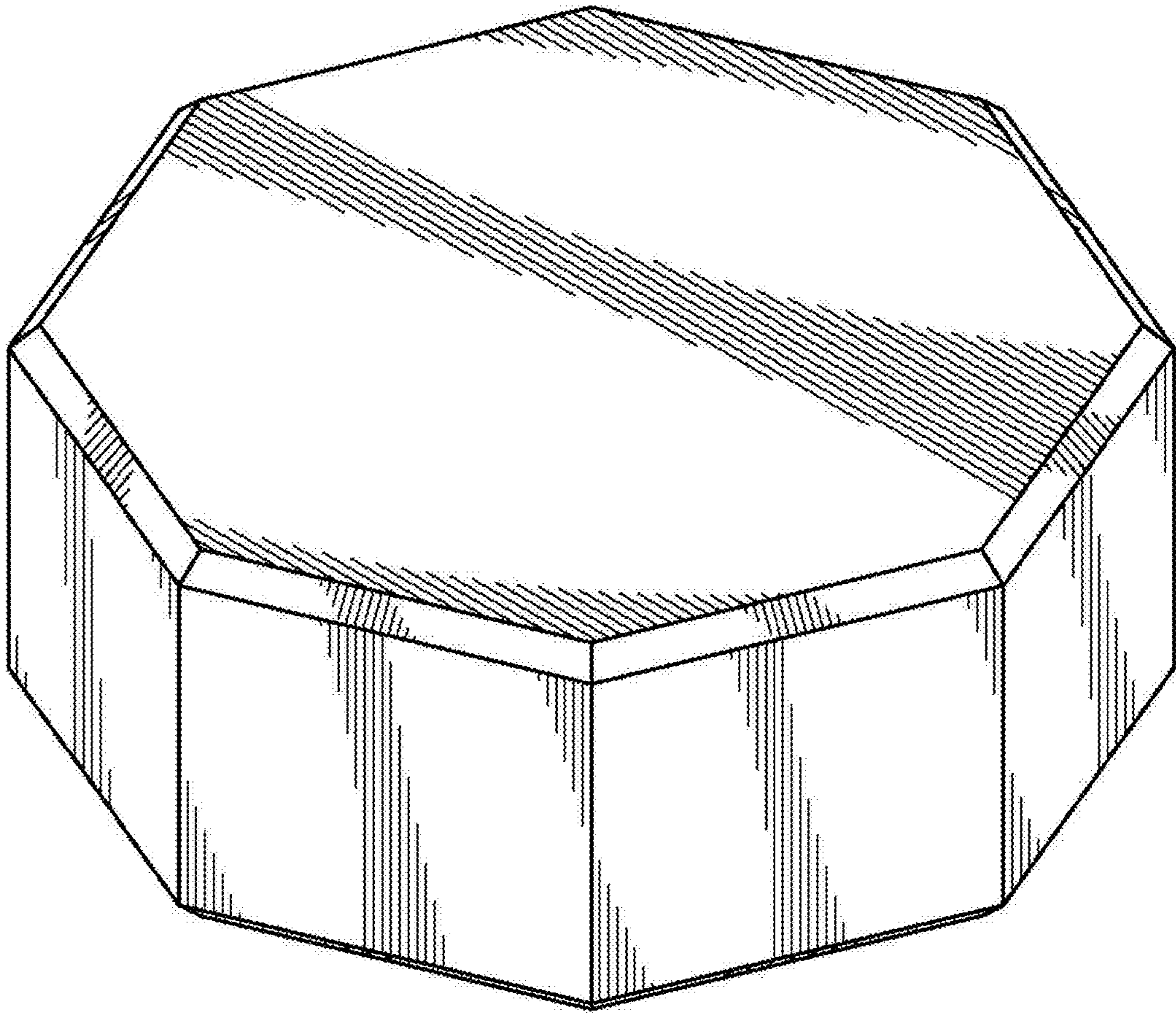


FIG. 1

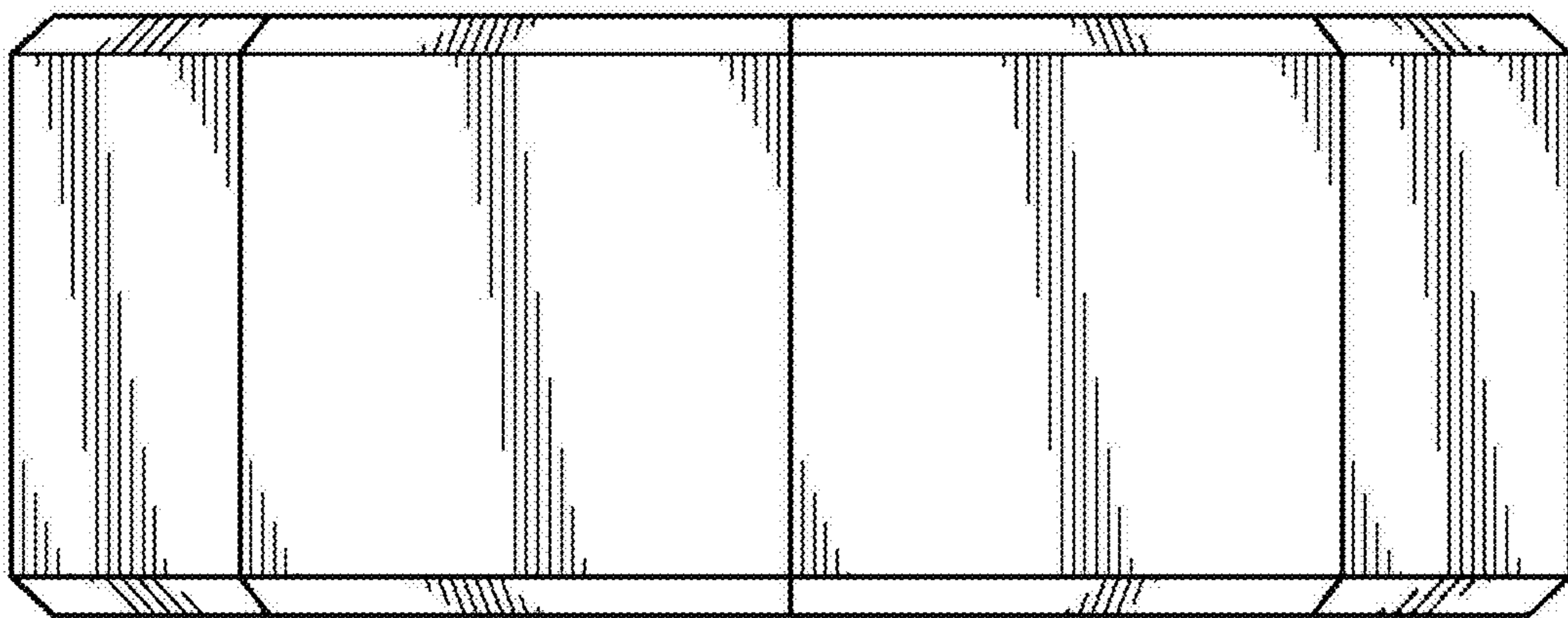


FIG. 2

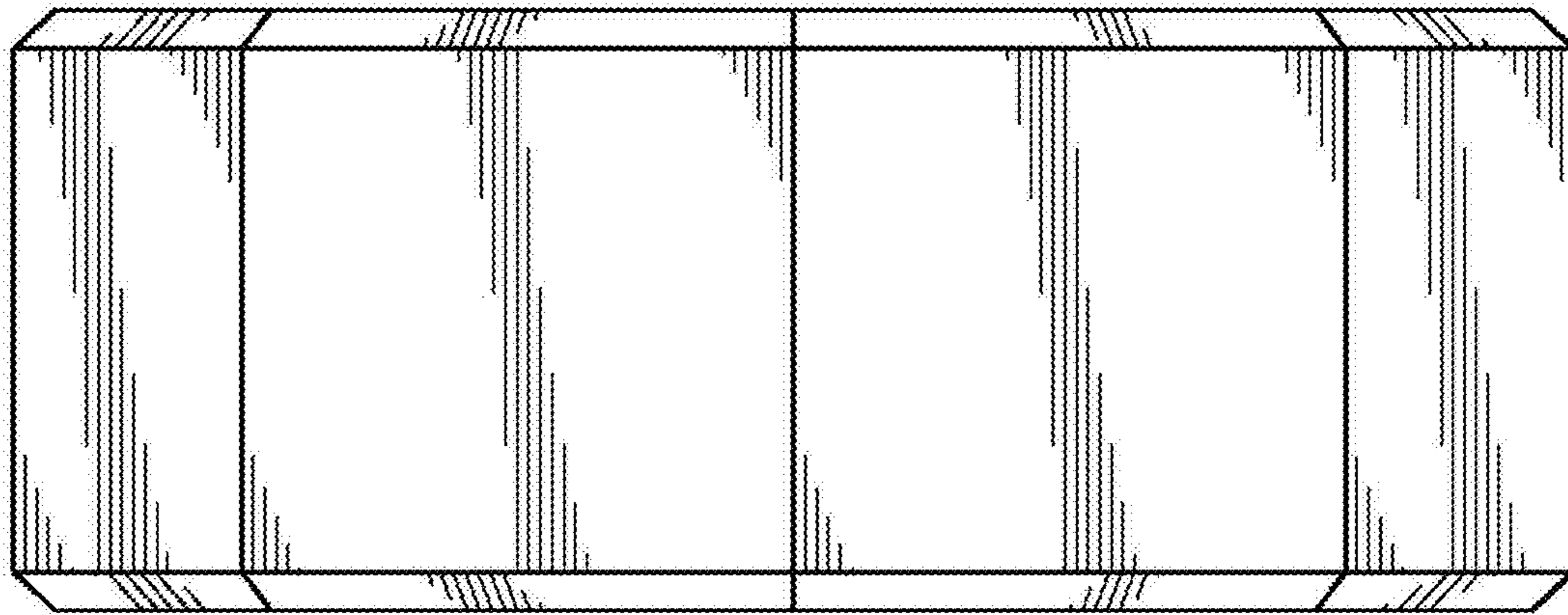


FIG. 3

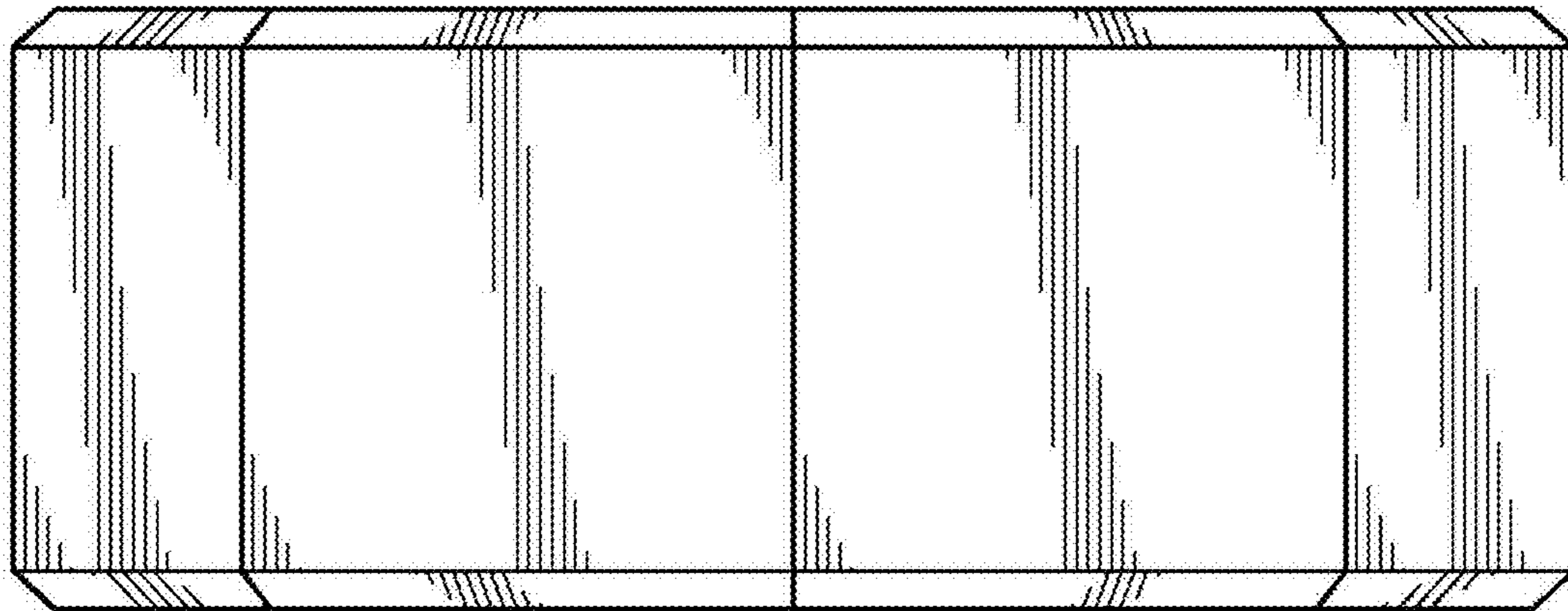


FIG. 4

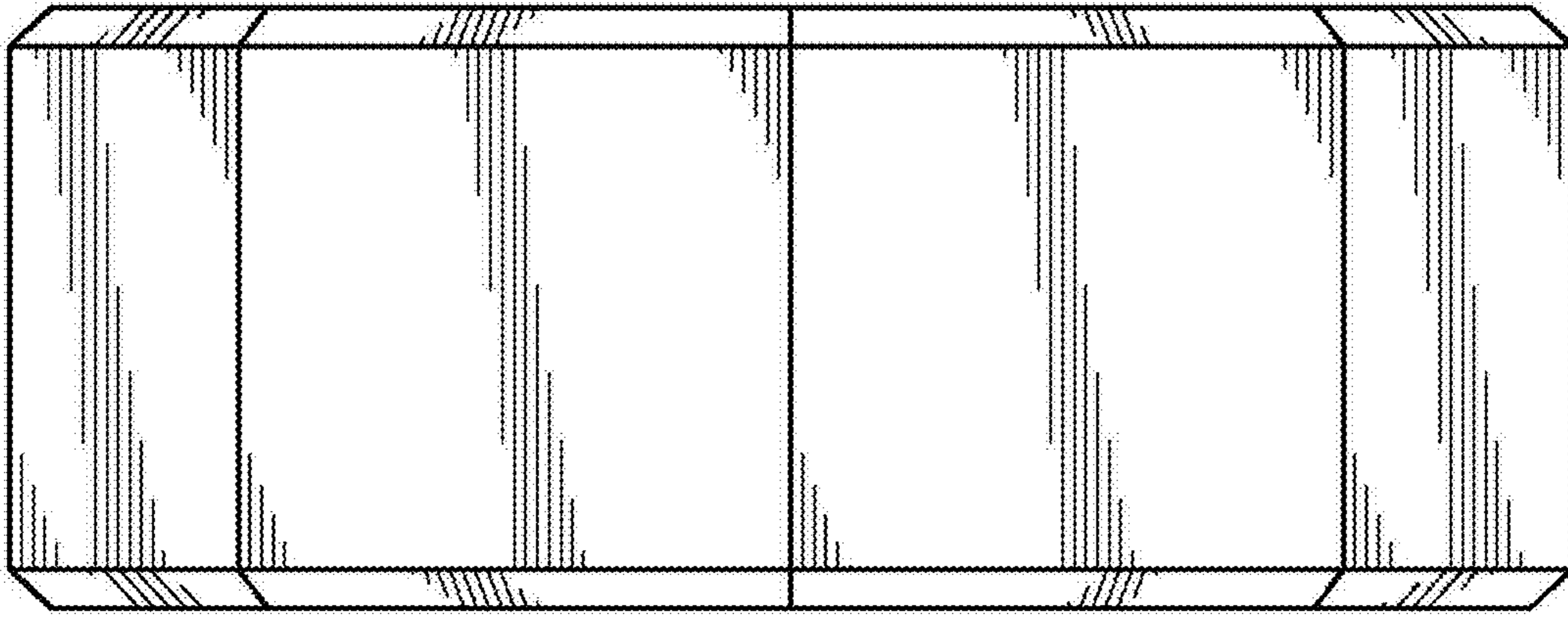


FIG. 5

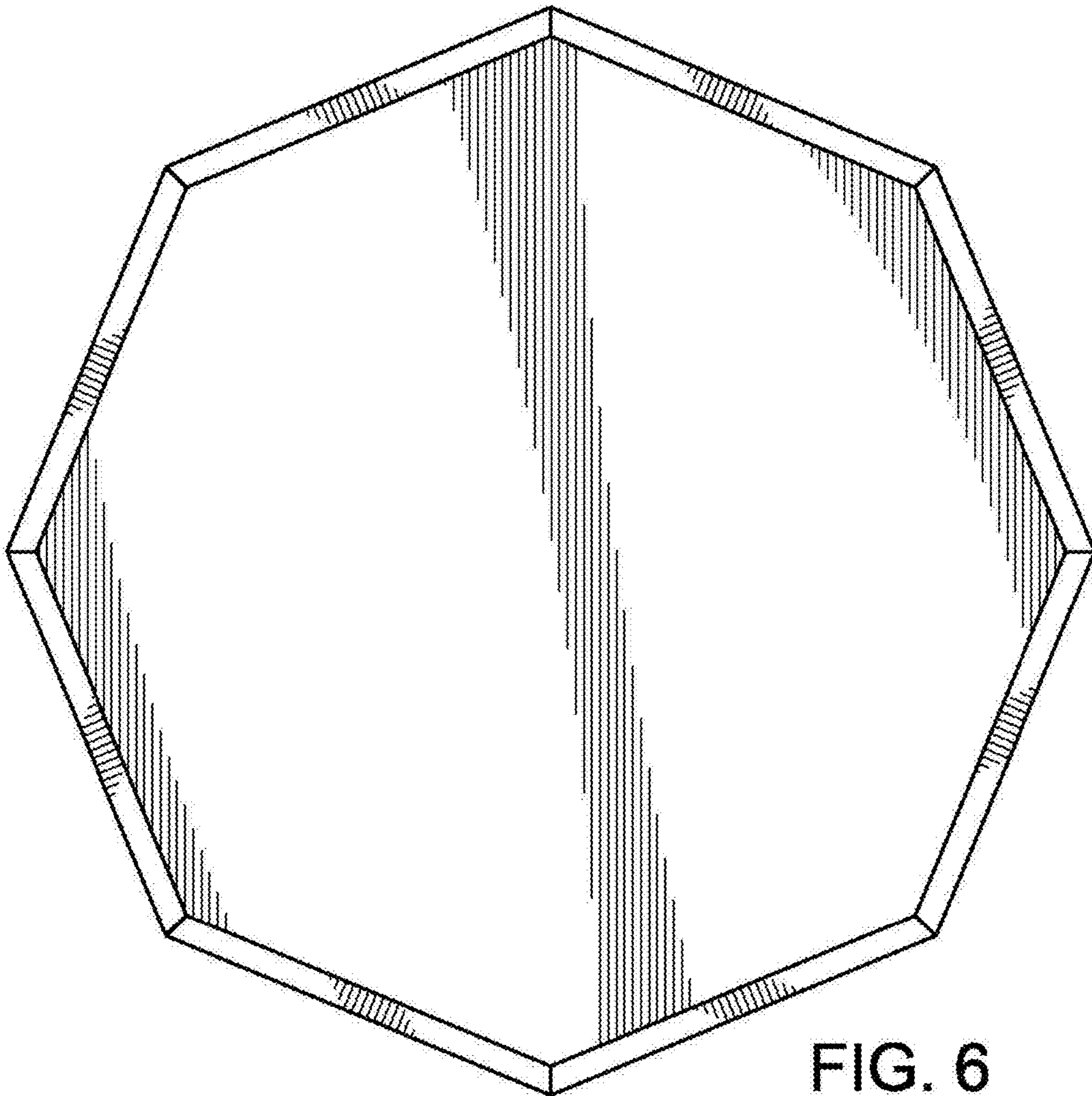


FIG. 6

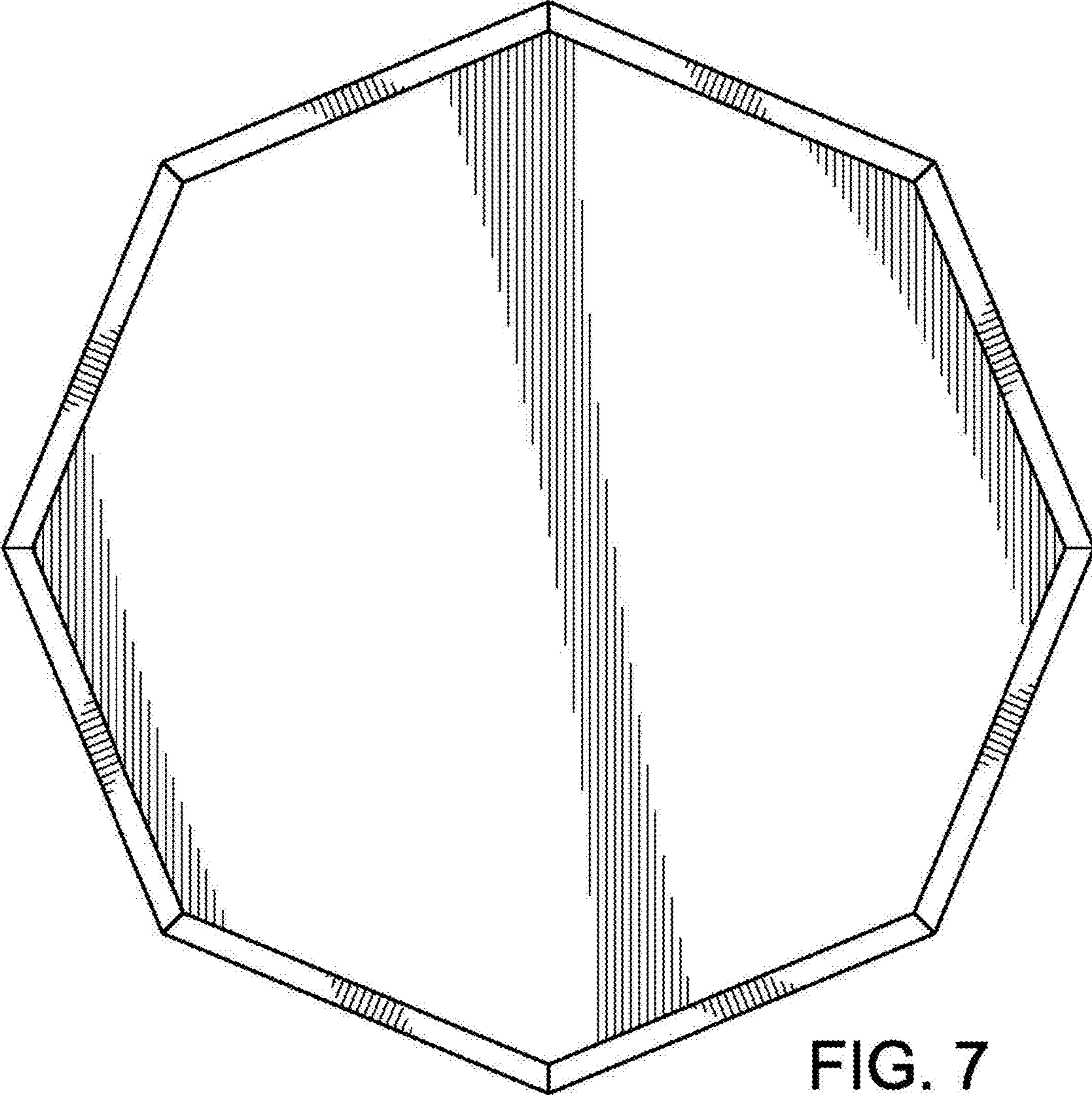


FIG. 7

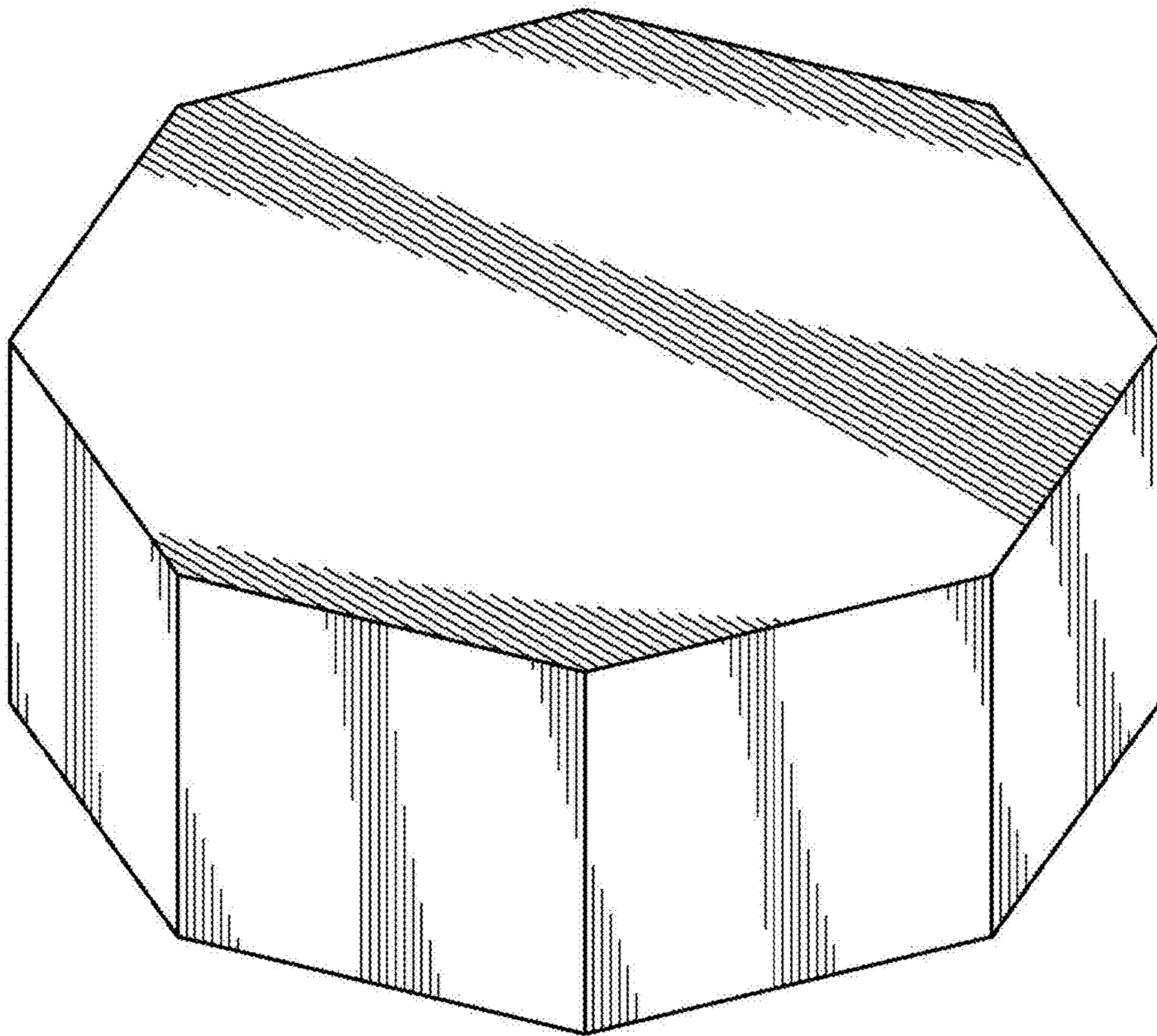


FIG. 8

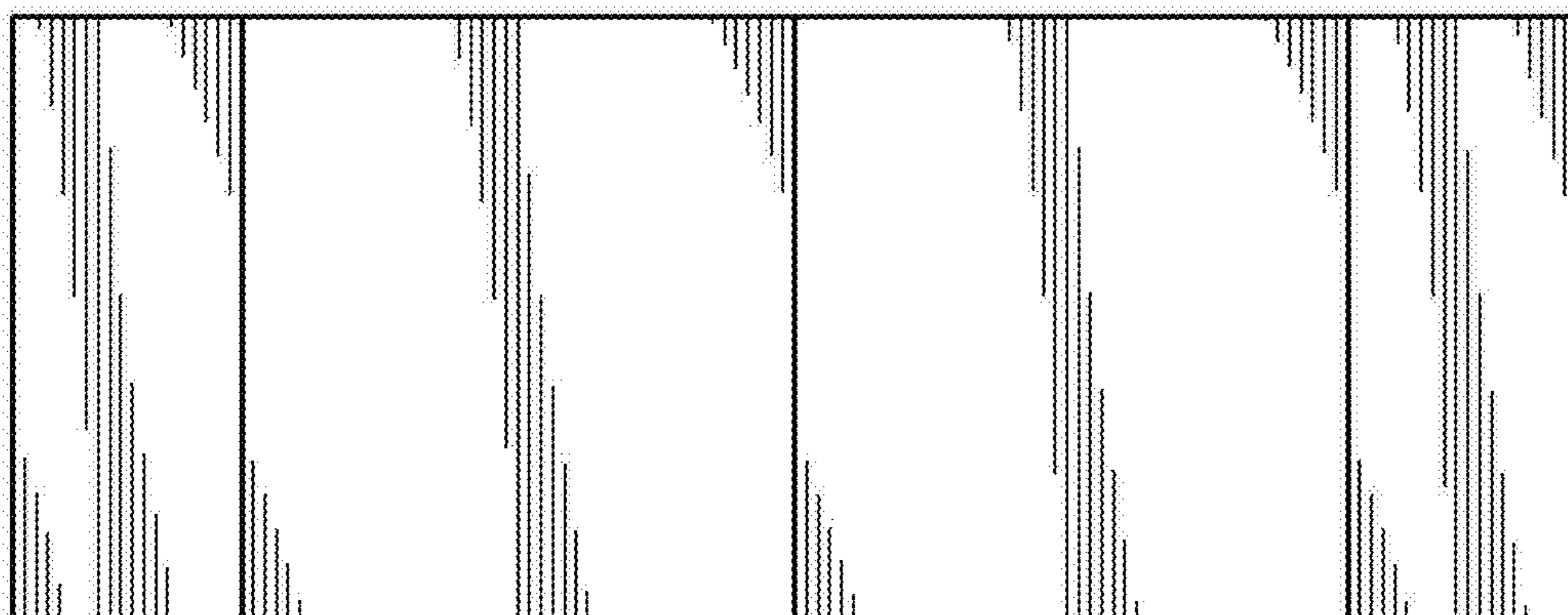


FIG. 9

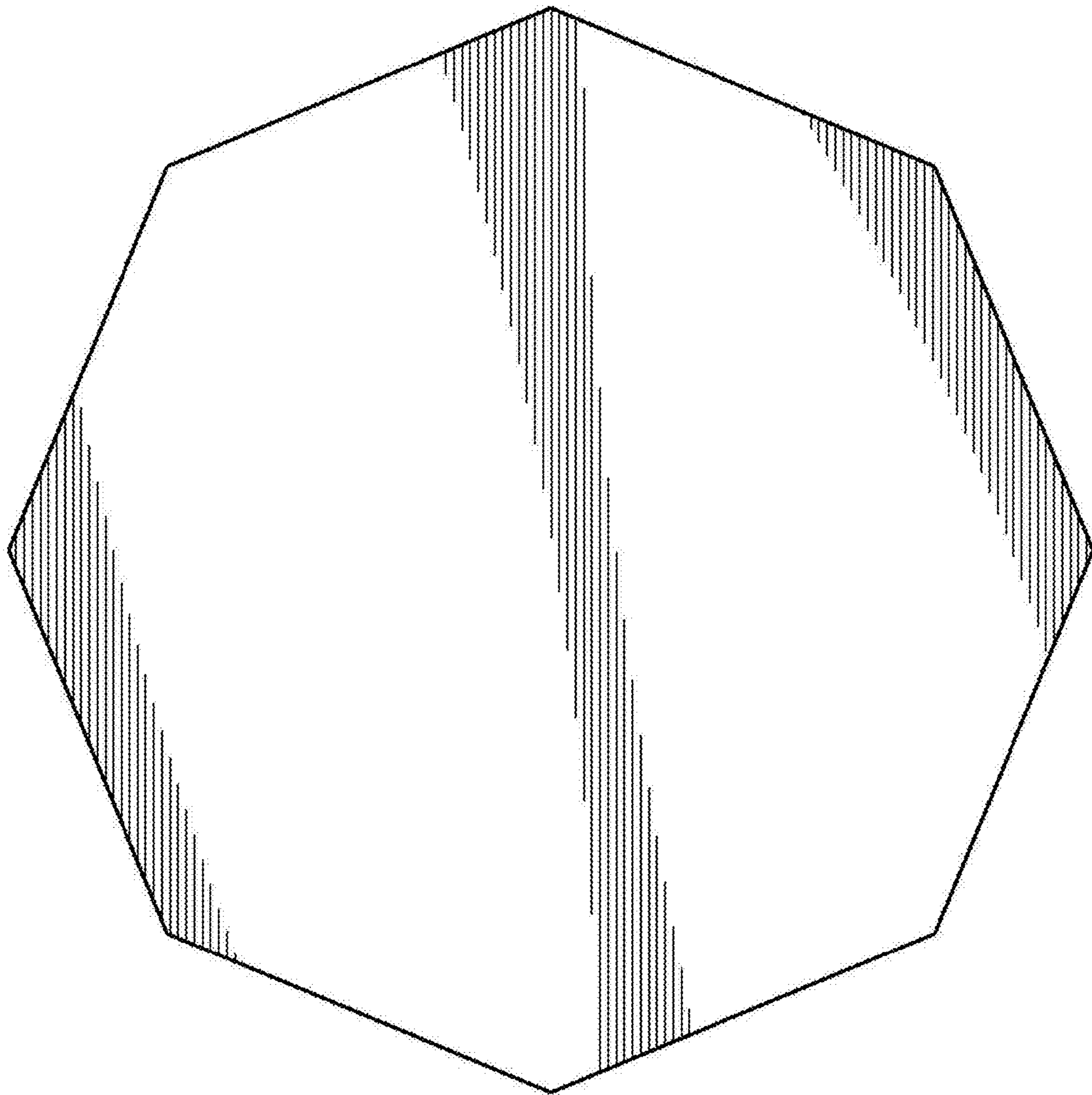


FIG. 10

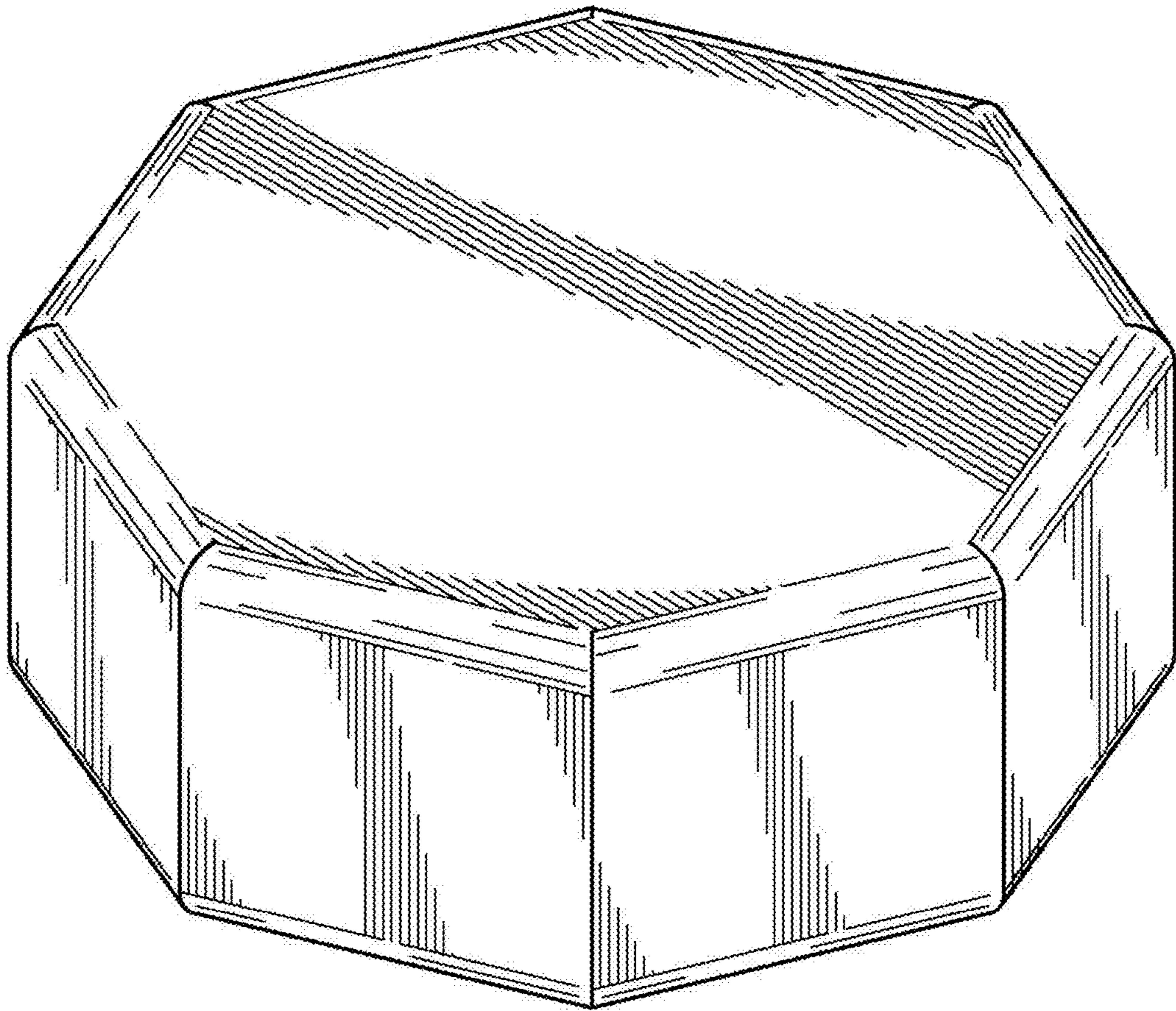


FIG. 11

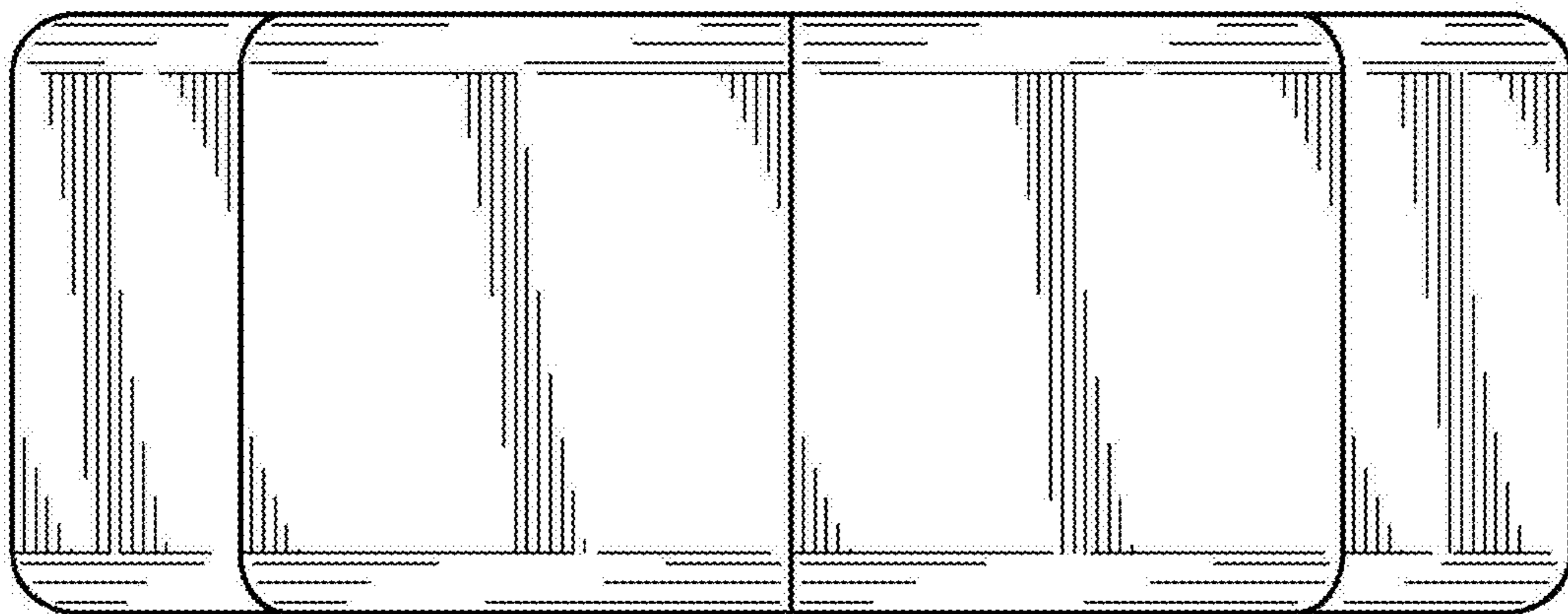


FIG. 12

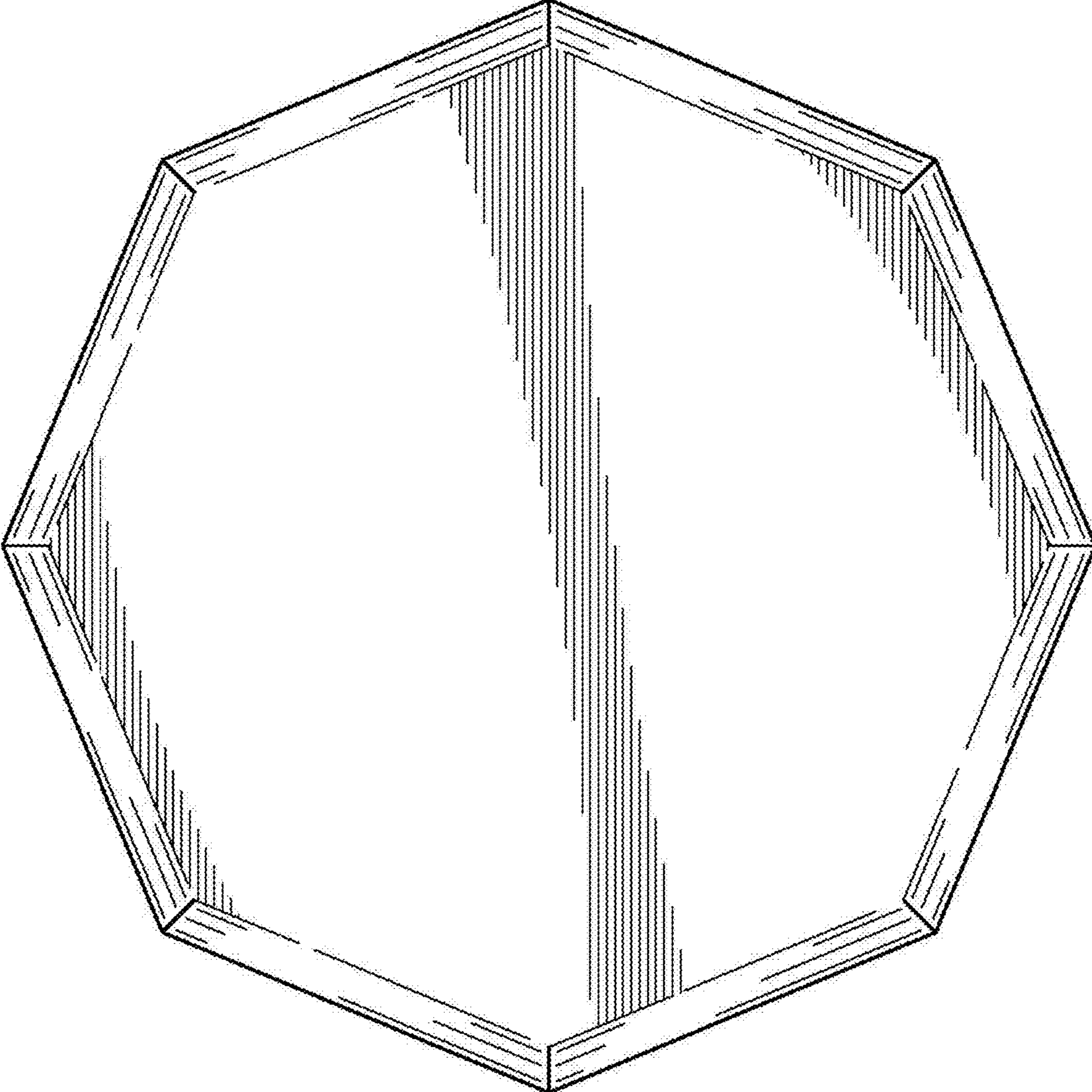


FIG. 13