



US00D857155S

(12) **United States Design Patent** (10) **Patent No.:** **US D857,155 S**
Baltes (45) **Date of Patent:** **** Aug. 20, 2019**

(54) **ROD HOLDER**
(71) Applicant: **MTB Designs, Inc.**, Palm City, FL (US)

D595,808 S 7/2009 Baltes
D607,962 S 1/2010 Baltes
D607,963 S 1/2010 Baltes
(Continued)

(72) Inventor: **Michael Baltes**, Palm City, FL (US)

OTHER PUBLICATIONS

(73) Assignee: **MTB Designs, Inc.**, Palm City, FL (US)

Boat Outfitters, Rod Spike Cup Holder, SKU# 13770-80039-CO (Year: 2019).*

(**) Term: **15 Years**

Primary Examiner — Catherine R Oliver-Garcia
(74) *Attorney, Agent, or Firm* — Larson & Larson, P.A.; Justin P. Miller; Frank Liebenow

(21) Appl. No.: **29/678,260**

(22) Filed: **Jan. 28, 2019**

(57) **CLAIM**

(51) **LOC (12) Cl.** **22-05**

I claim the ornamental design for a rod holder, as shown and described.

(52) **U.S. Cl.**
USPC **D22/147**

DESCRIPTION

(58) **Field of Classification Search**
USPC D22/147; D26/37-41, 47-49; 43/21.2, 43/22-23, 4.5, 17.5; 248/512, 520, 538; D6/552-553, 567, 396; 211/117, 13.1, 211/64, 70.8, 60.1, 70.2, 70.6
CPC A01K 97/10; A01K 81/005
See application file for complete search history.

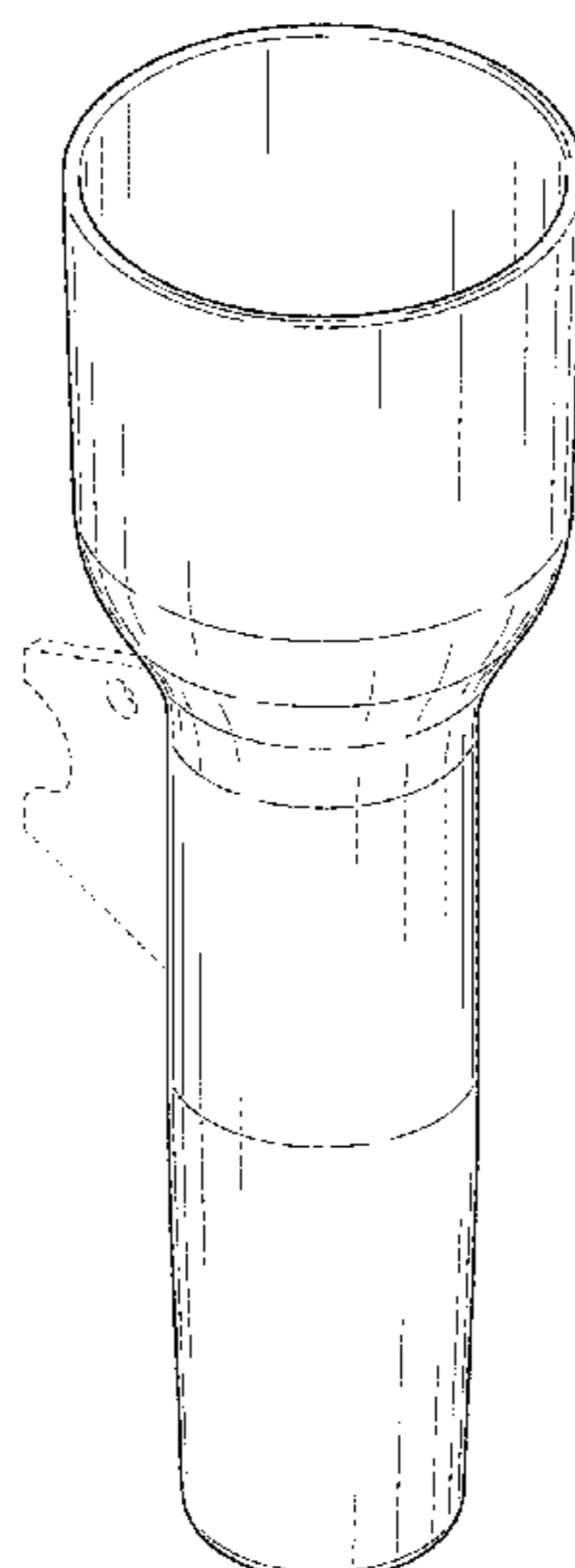
FIG. 1 is a perspective view of a rod holder showing my new design;
FIG. 2 is a right-side elevation view thereof;
FIG. 3 is a left-side elevation view thereof;
FIG. 4 is a rear elevation view thereof, with the front elevation view being a mirror image thereof;
FIG. 5 is a front elevation thereof;
FIG. 6 is a top plan view thereof;
FIG. 7 is a bottom plan view thereof; and
FIG. 8 is a cross-sectional view shown along line 8-8 of FIG. 6;
FIG. 9 is a perspective view thereof with a fishing pole;
FIG. 10 is a perspective view thereof with an insulated can and a weld-mount bracket;
FIG. 11 is a perspective view thereof with a clamp; and,
FIG. 12 is a perspective view thereof with a transom bracket.
The broken lines depicting a fishing pole, insulated can, weld-mount bracket, clamp, and transom bracket are included for the purposes of illustrating environmental structure and form no part of the claimed design.

(56) **References Cited**

U.S. PATENT DOCUMENTS

D222,673 S *	11/1971	Polzin	D22/147
D239,533 S *	4/1976	Green	D3/221
4,749,162 A	6/1988	Wanzor		
4,778,141 A	10/1988	Bogar		
D329,683 S *	9/1992	Sant	D22/147
5,163,244 A	11/1992	Rupp		
D386,557 S *	11/1997	Thompson	D22/147
D423,129 S *	4/2000	Nakagawa	D26/49
D499,789 S	12/2004	Bridgewater		
7,004,102 B2	2/2006	Sampson		
D551,366 S *	9/2007	Galli	D26/37
D591,385 S	4/2009	Baltes		
D591,386 S	4/2009	Baltes		
D595,807 S	7/2009	Baltes		

1 Claim, 7 Drawing Sheets



(56)

References Cited

U.S. PATENT DOCUMENTS

8,640,377 B2 2/2014 Baltes
D838,396 S * 1/2019 Lehovetzki D26/49

* cited by examiner

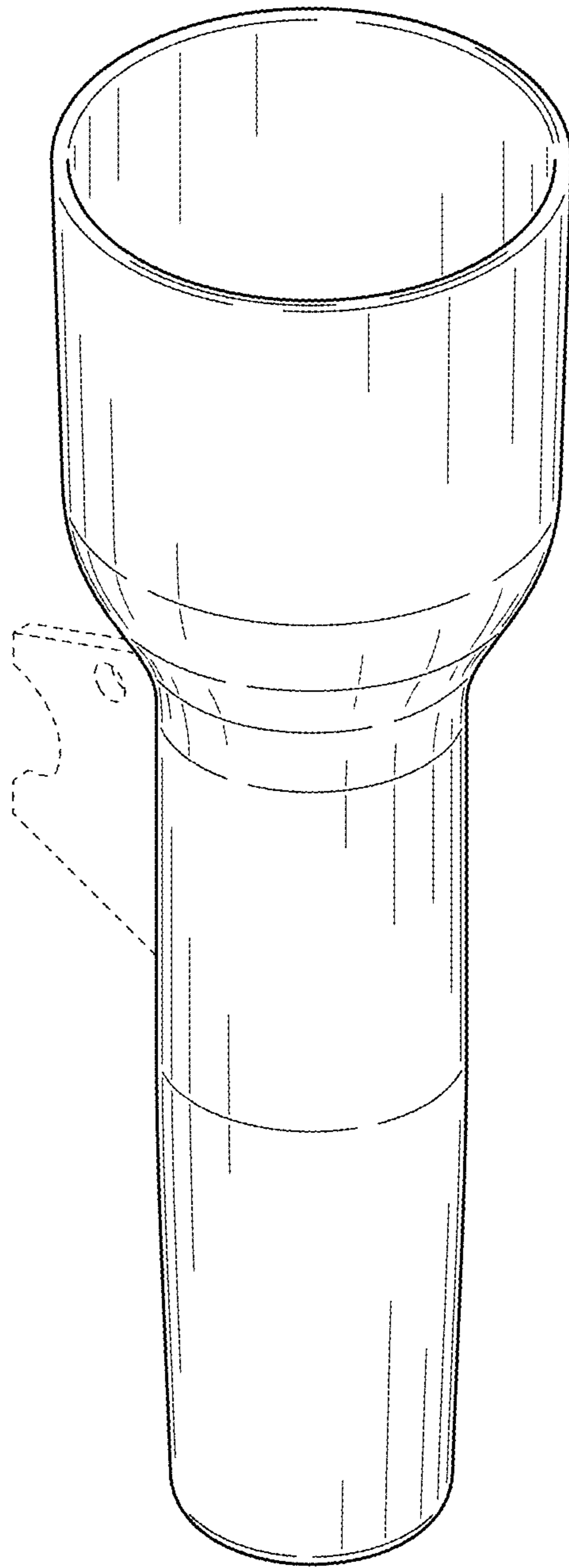


FIG. 1

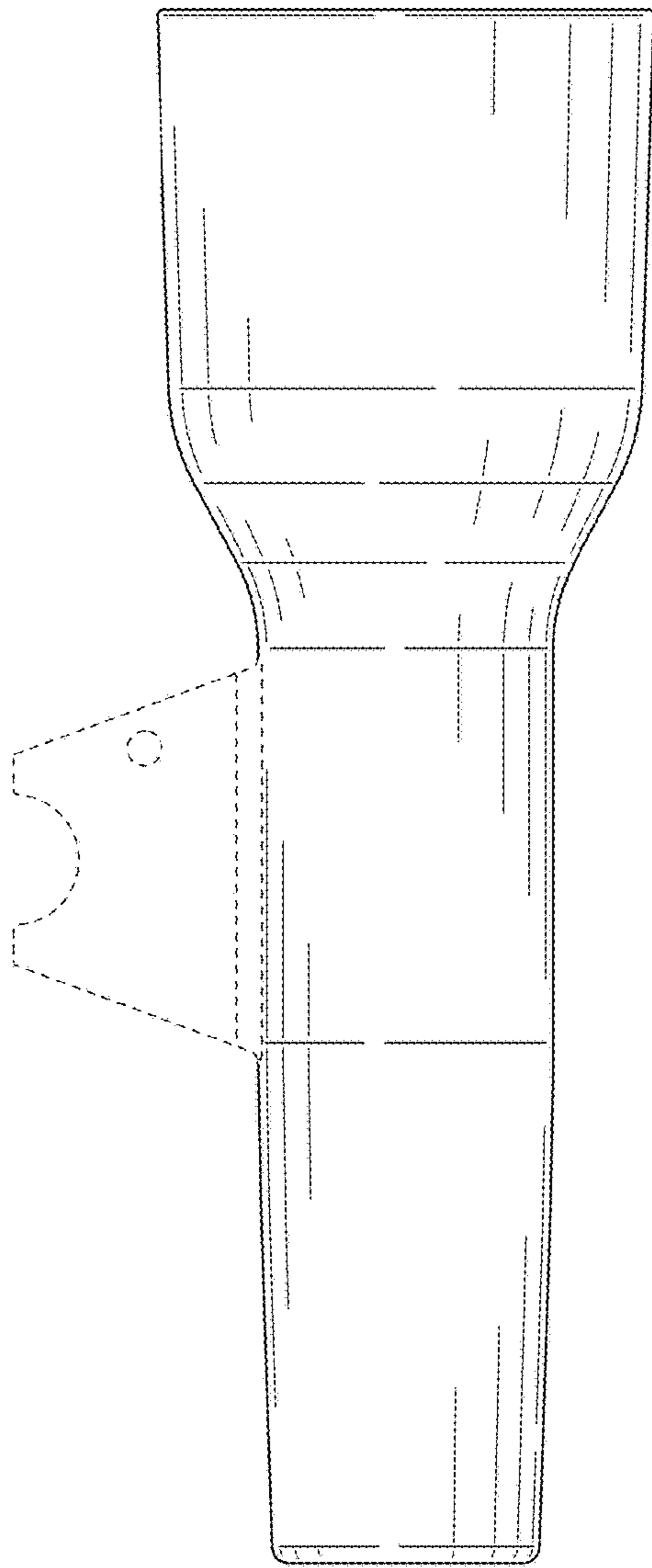


FIG. 2

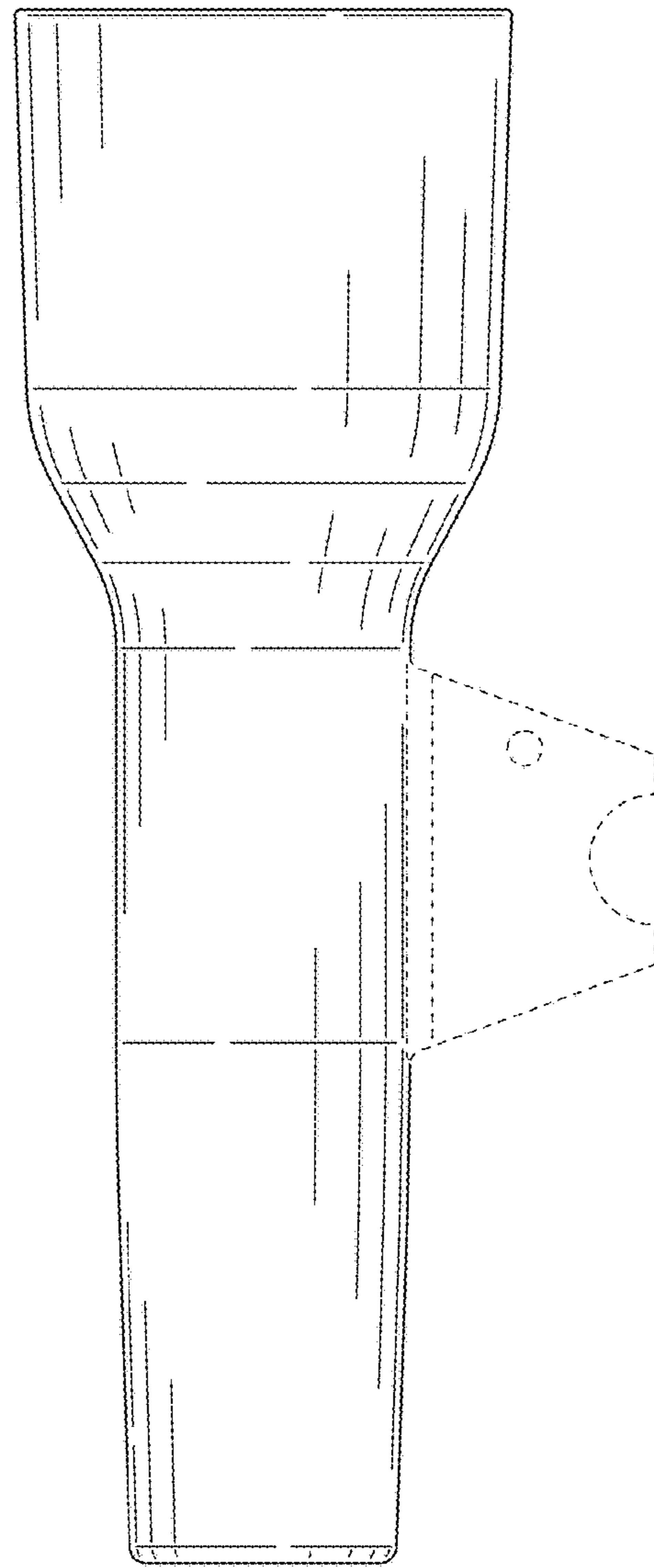


FIG. 3

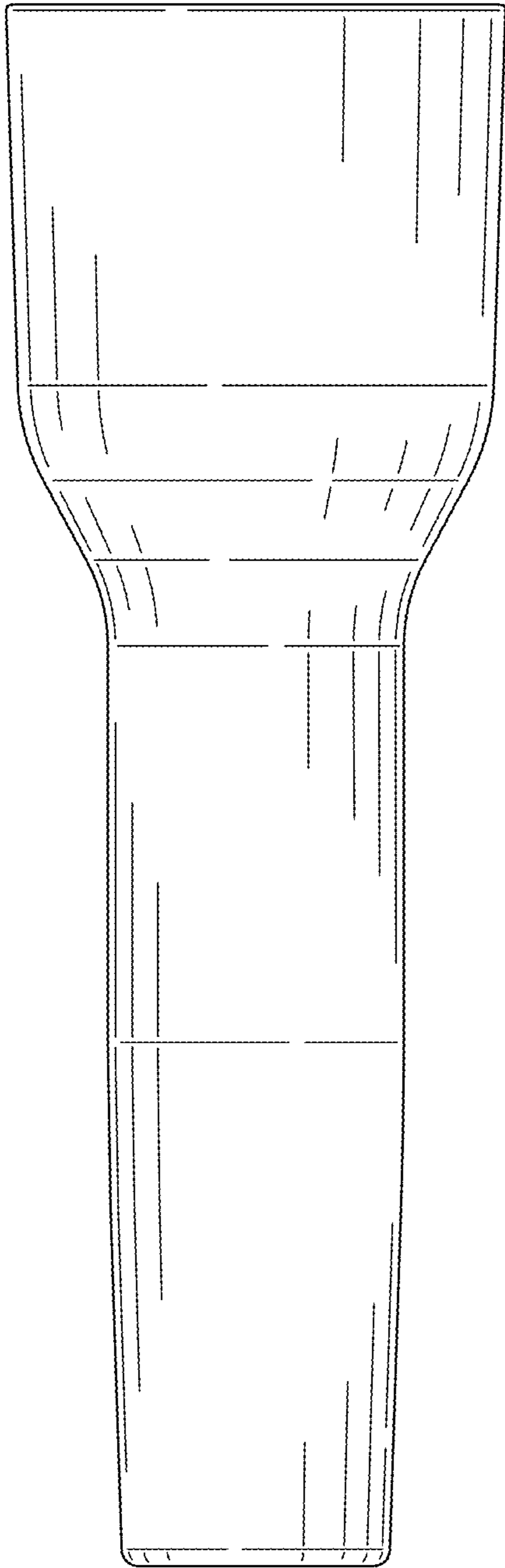


FIG. 4

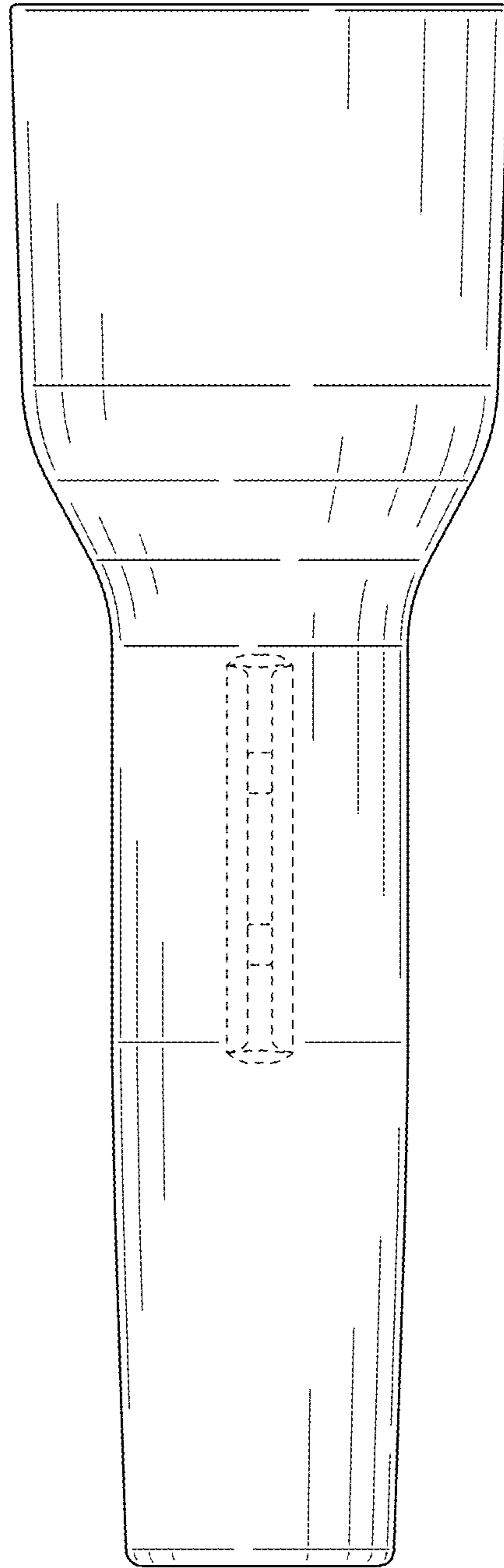


FIG. 5

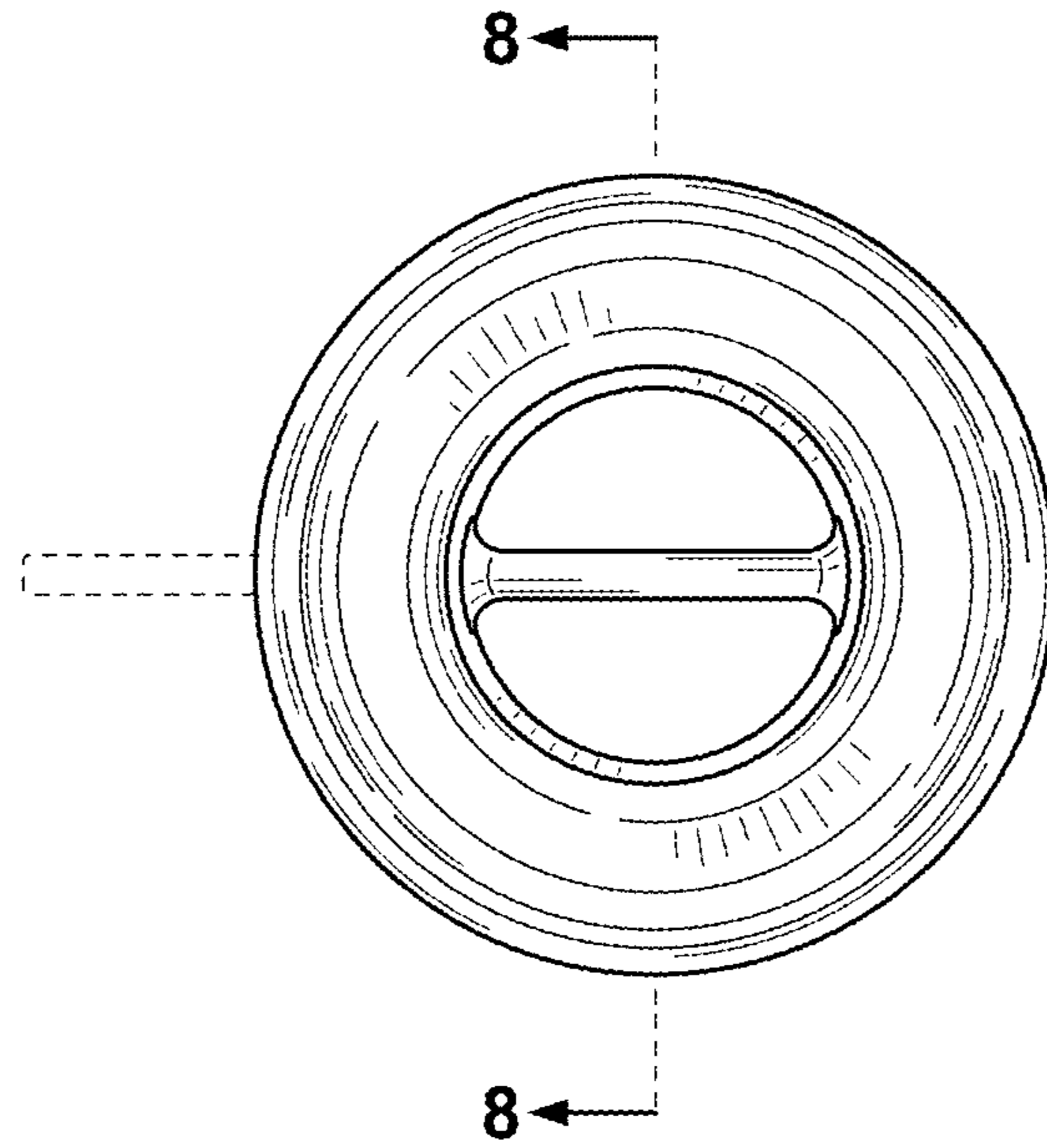


FIG. 6

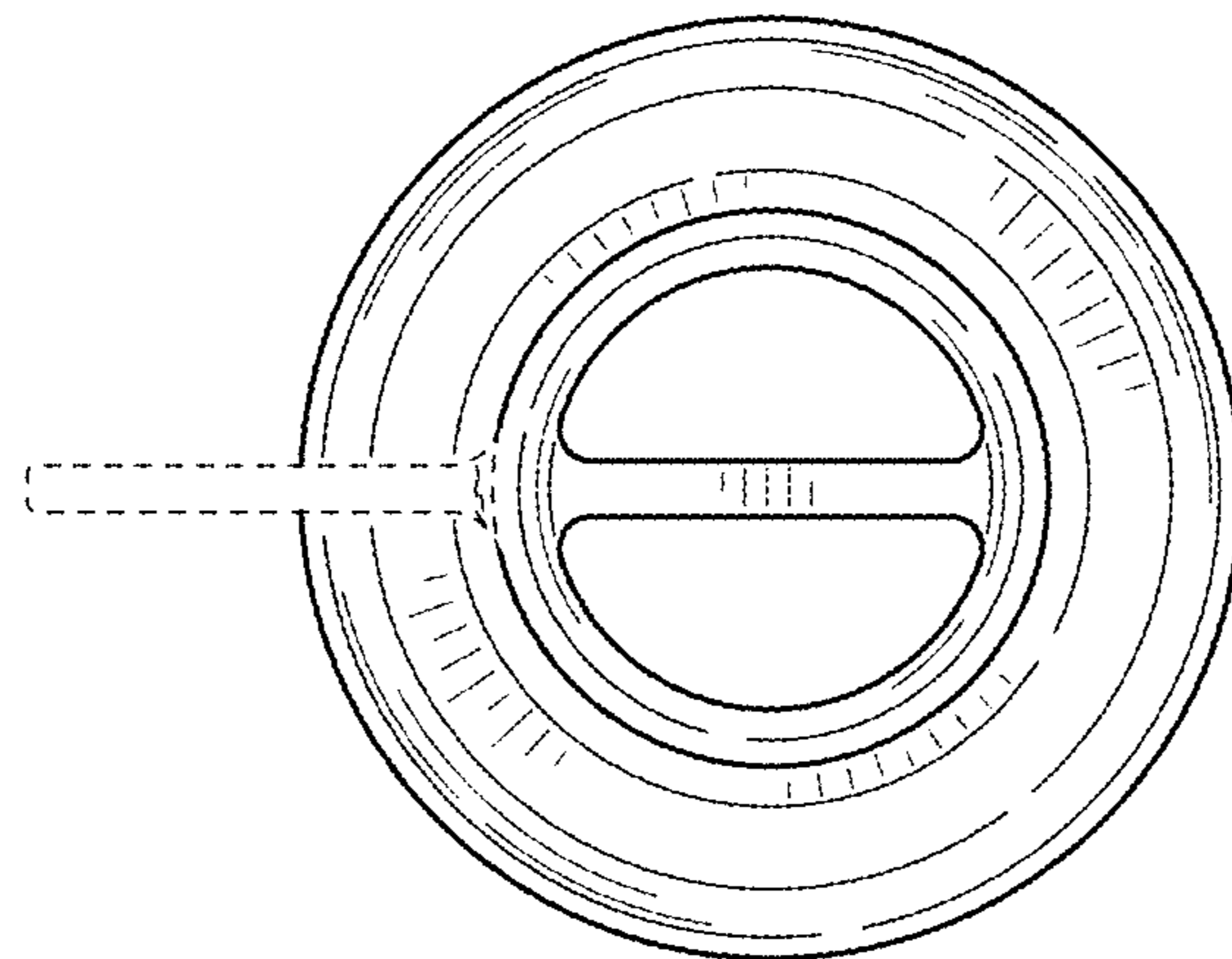


FIG. 7

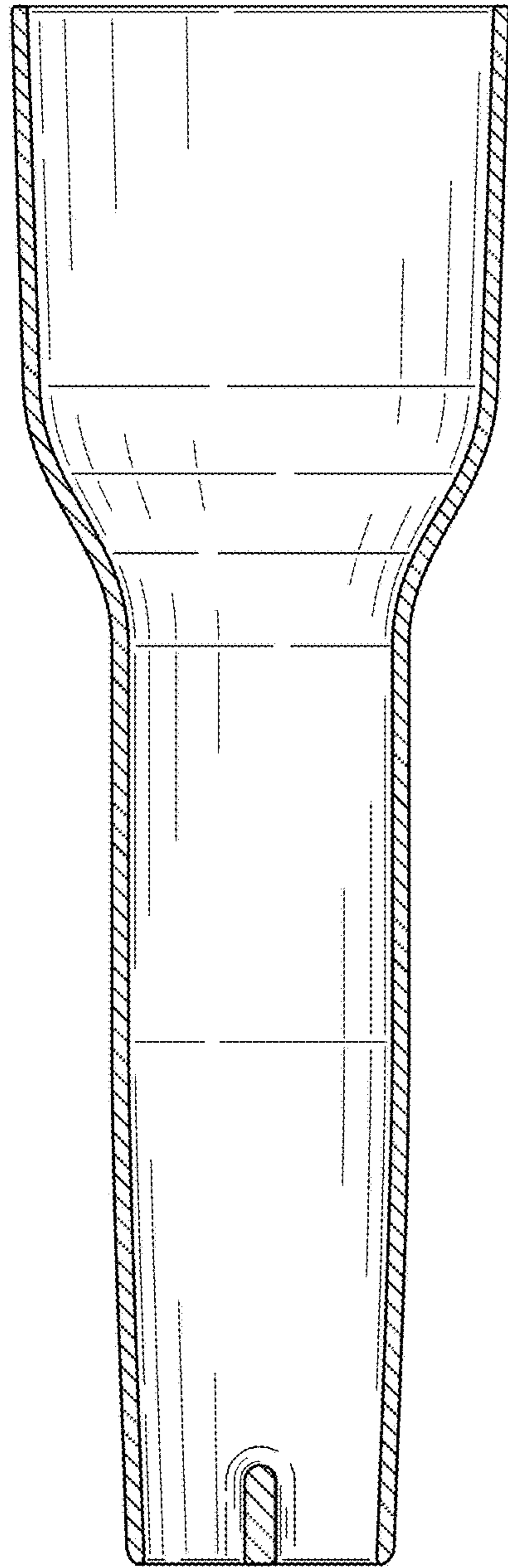


FIG. 8

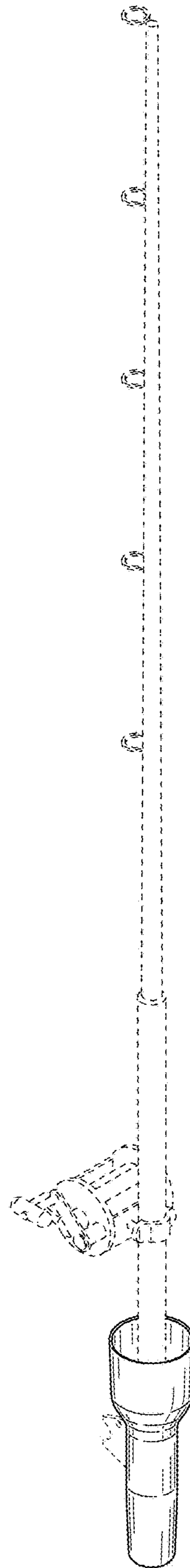


FIG. 9

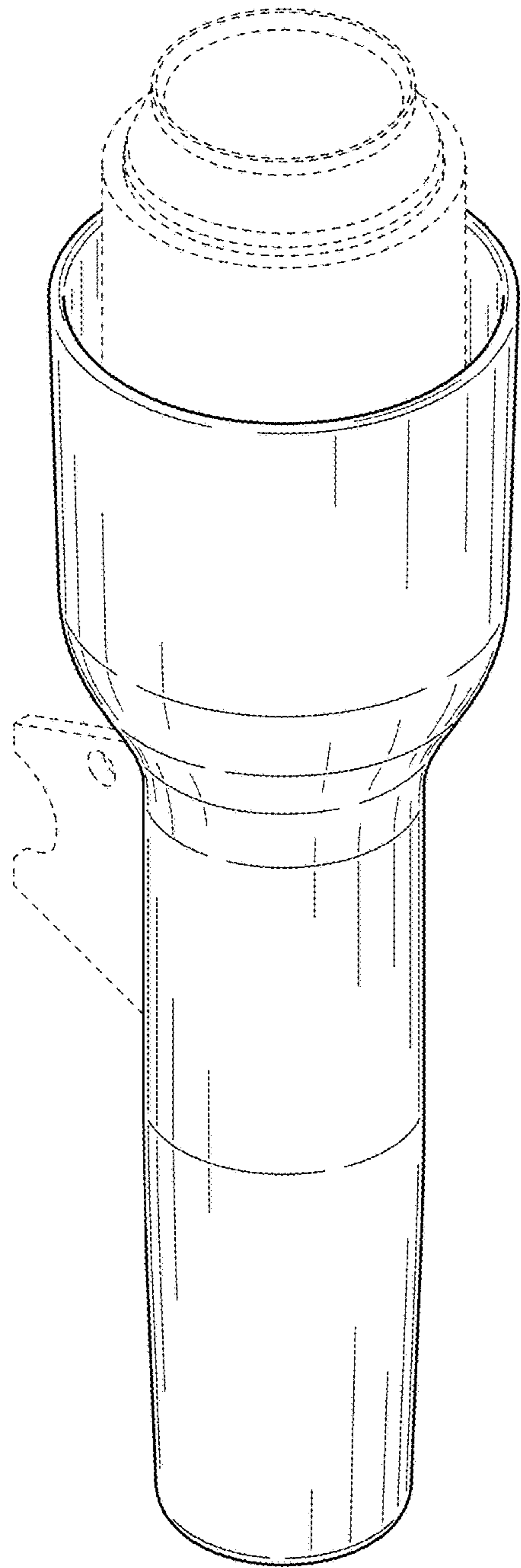


FIG. 10

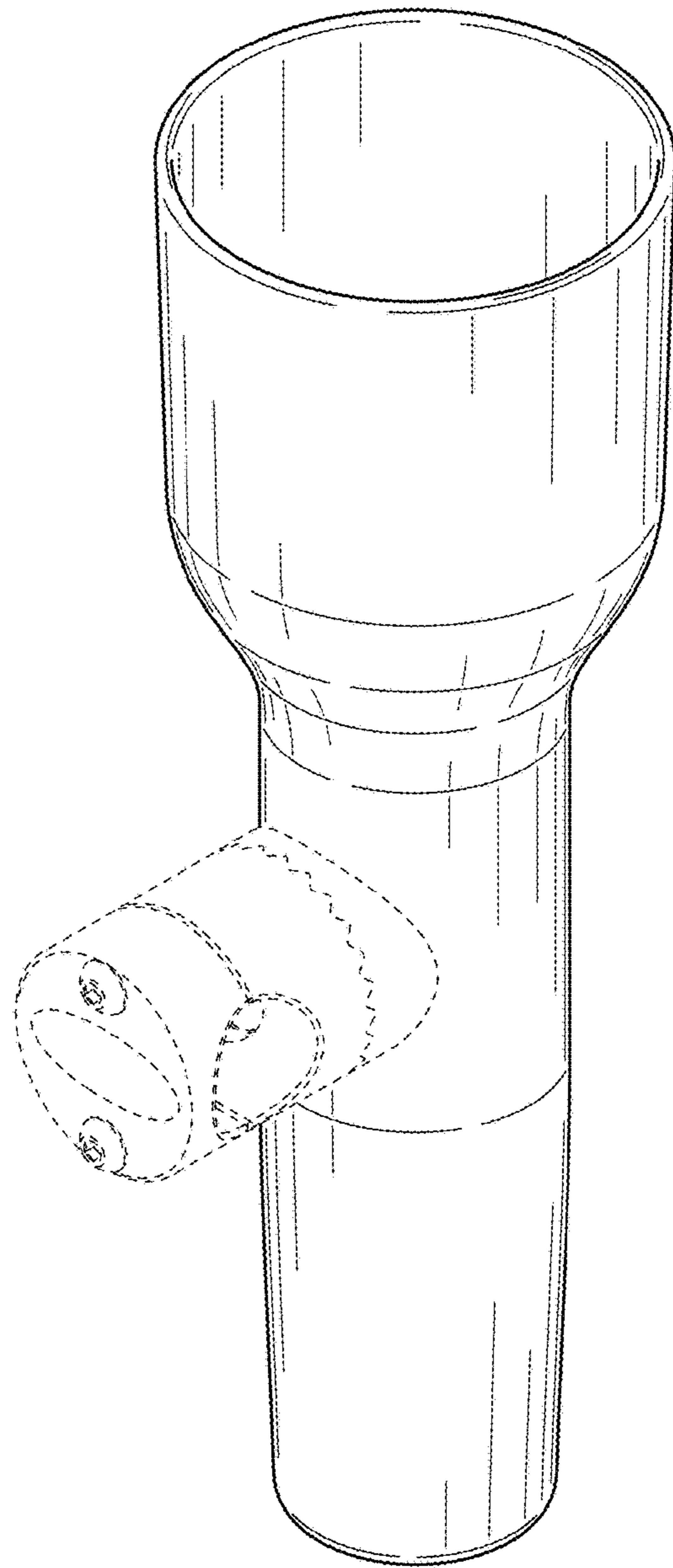


FIG. 11

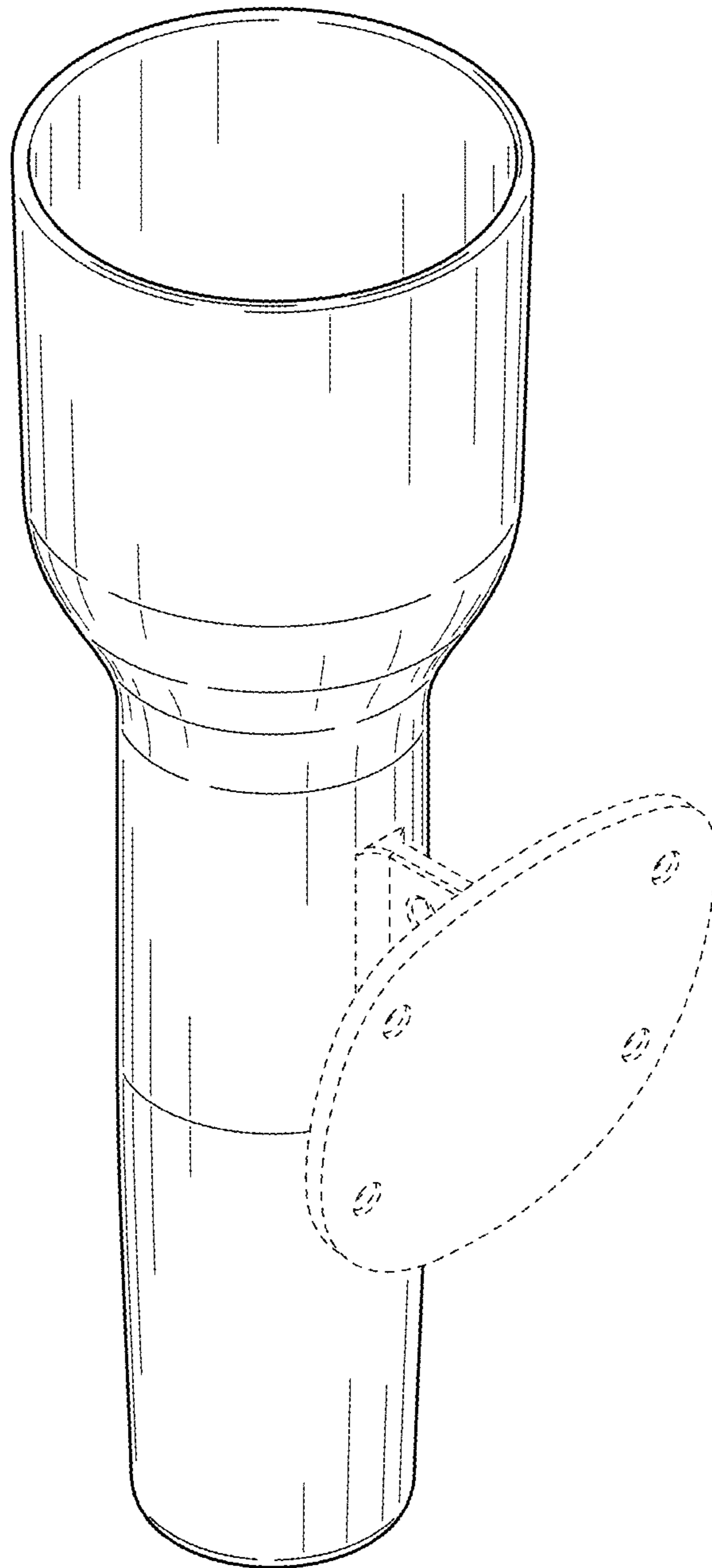


FIG. 12