



US00D857153S

(12) **United States Design Patent** (10) **Patent No.:** **US D857,153 S**
Holmes (45) **Date of Patent:** **** Aug. 20, 2019**

(54) **FISHING LURE HOLSTER**

(71) Applicant: **Joe W. Holmes**, Claremore, OK (US)

(72) Inventor: **Joe W. Holmes**, Claremore, OK (US)

(**) Term: **15 Years**

(21) Appl. No.: **29/642,444**

(22) Filed: **Mar. 29, 2018**

(51) **LOC (12) Cl.** **22-05**

(52) **U.S. Cl.**
USPC **D22/134**

(58) **Field of Classification Search**
USPC D22/134, 138–139, 199; 43/25.2, 22, 25
CPC A01K 97/06; A01K 99/00
See application file for complete search history.

(56) **References Cited**

U.S. PATENT DOCUMENTS

2,556,403	A *	6/1951	Sokolik	A01K 97/06
					43/25.2
D750,732	S *	3/2016	Saunders	D22/134
D820,379	S *	6/2018	Salonich	D22/134
2006/0162231	A1 *	7/2006	Massimino	A01K 97/06
					43/25.2
2008/0244956	A1 *	10/2008	Gant	A01K 87/08
					43/25.2
2013/0014426	A1 *	1/2013	Brown	A01K 97/06
					43/25.2

OTHER PUBLICATIONS

Lake Fork Trophy Lures (lftlures.com/catalog/a-rig-holster), A-Rig. Holster, Video explaining the use of the product posted Nov. 28, 2018 (Year: 2012).*

* cited by examiner

Primary Examiner — Catherine R Oliver-Garcia

(74) *Attorney, Agent, or Firm* — Dennis D. Brown; Brown Patent Law, P.L.L.C.

(57) **CLAIM**

The ornamental design for a fishing lure holster, as shown and described.

DESCRIPTION

FIG. 1 is a front perspective view of a fishing lure holster, showing my new design.

FIG. 2 is a front elevational view thereof.

FIG. 3 is a rear elevational view thereof.

FIG. 4 is a right side elevational view thereof.

FIG. 5 is a left side elevational view thereof.

FIG. 6 is a top view thereof.

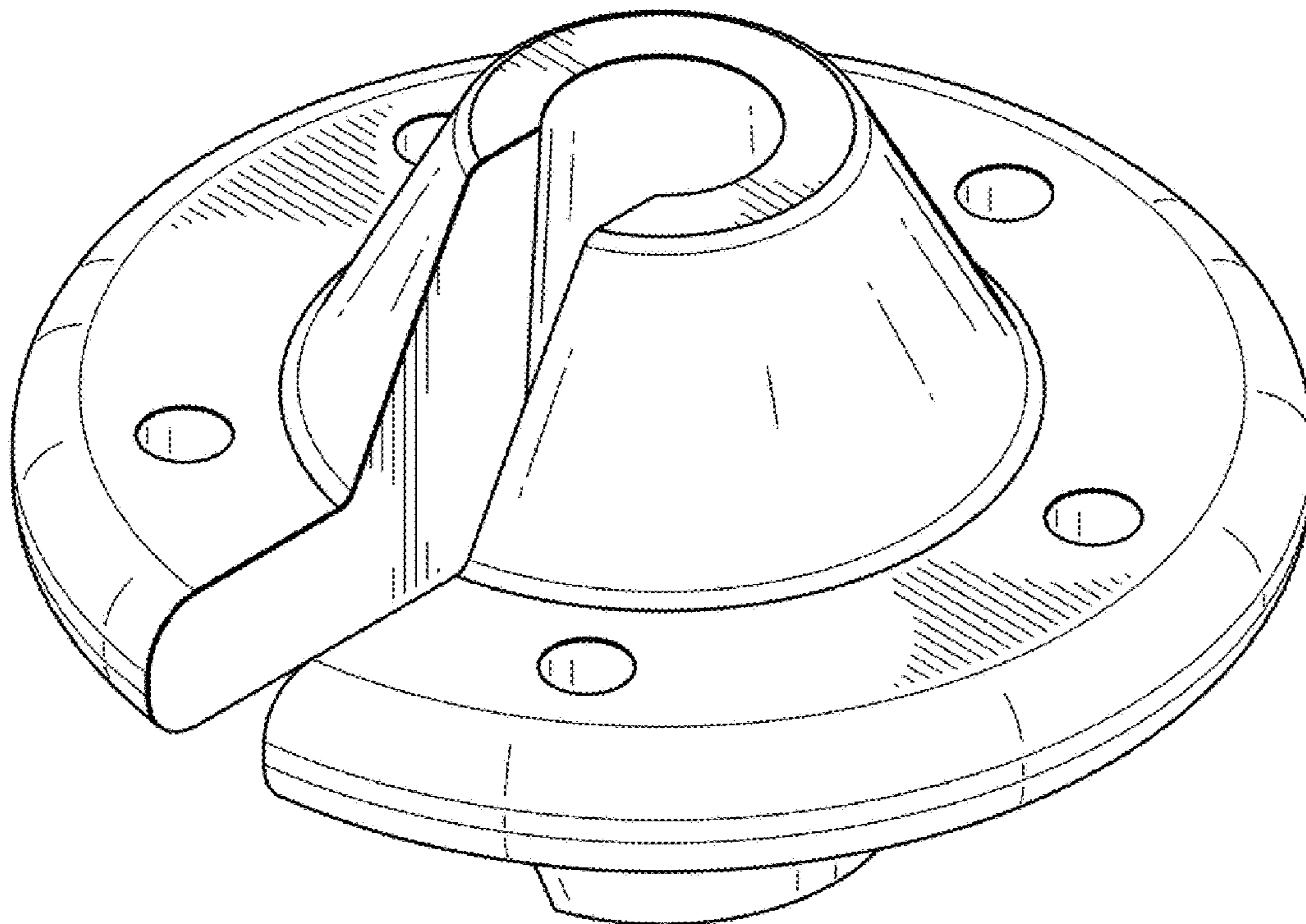
FIG. 7 is a bottom view thereof.

FIG. 8 is a bottom perspective view thereof; and,

FIG. 9 is a perspective view thereof, in use condition.

The broken lines, shown in the drawings represent unclaimed portions of the design and form no part thereof.

1 Claim, 5 Drawing Sheets



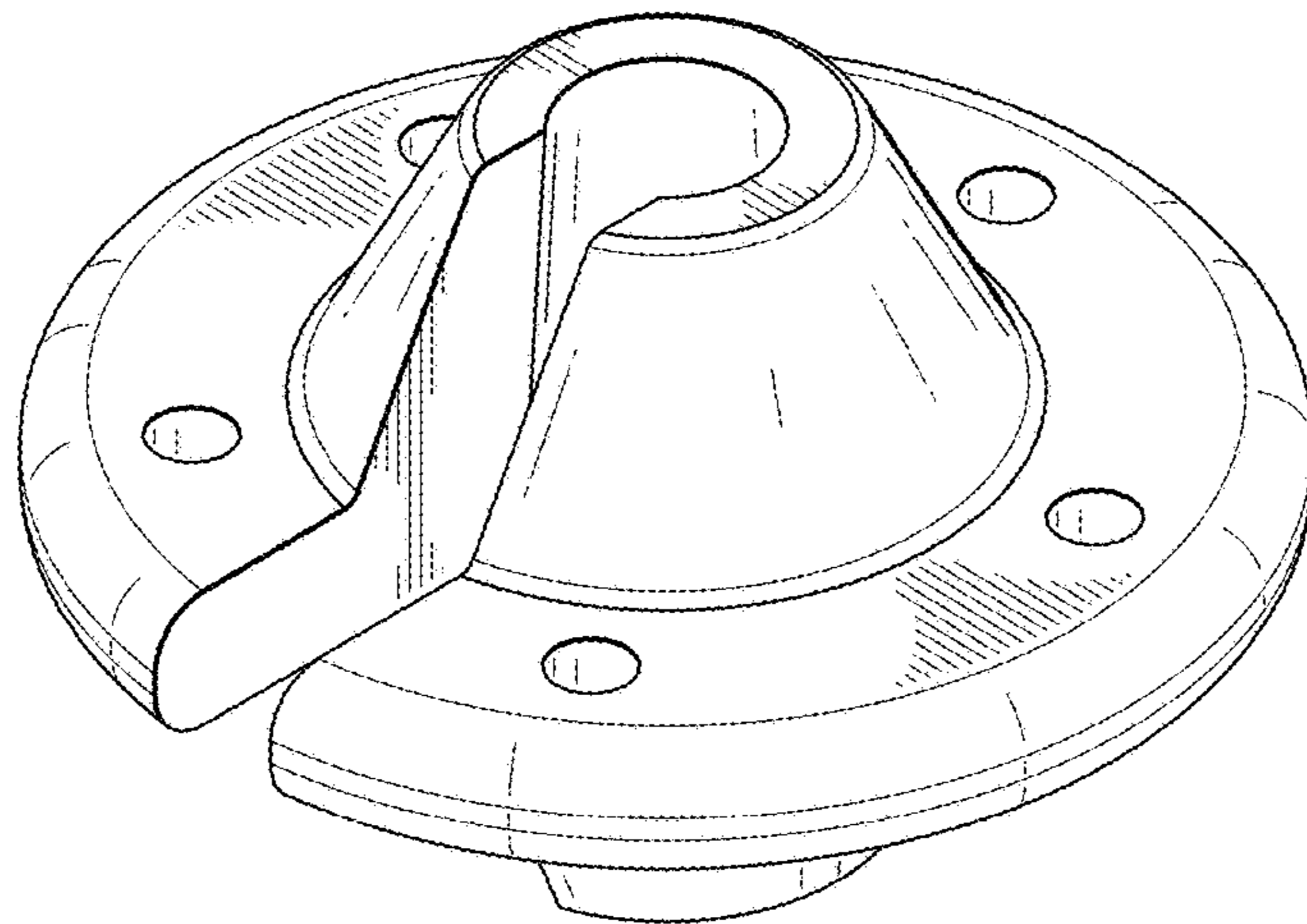


FIG. 1

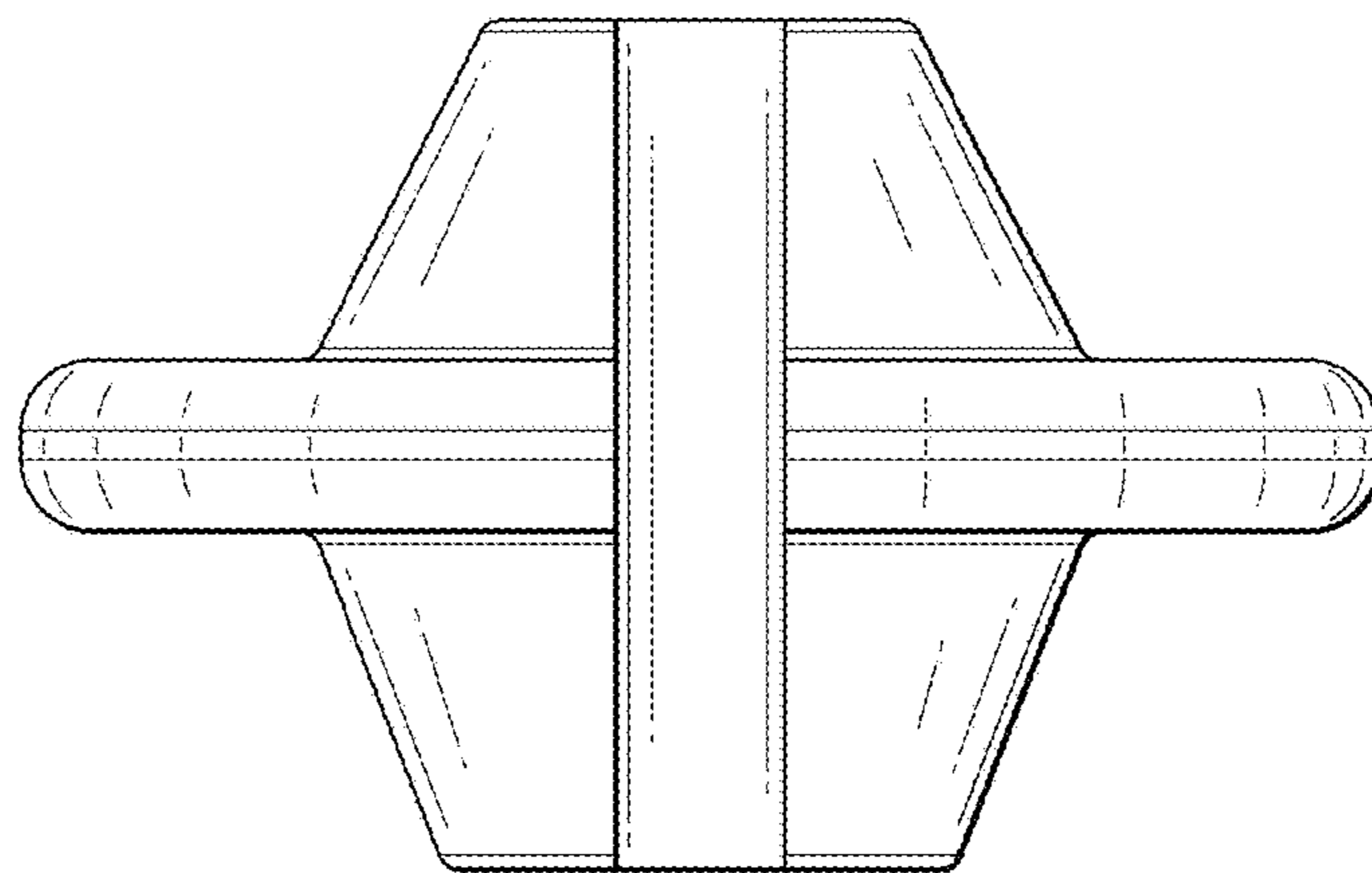


FIG. 2

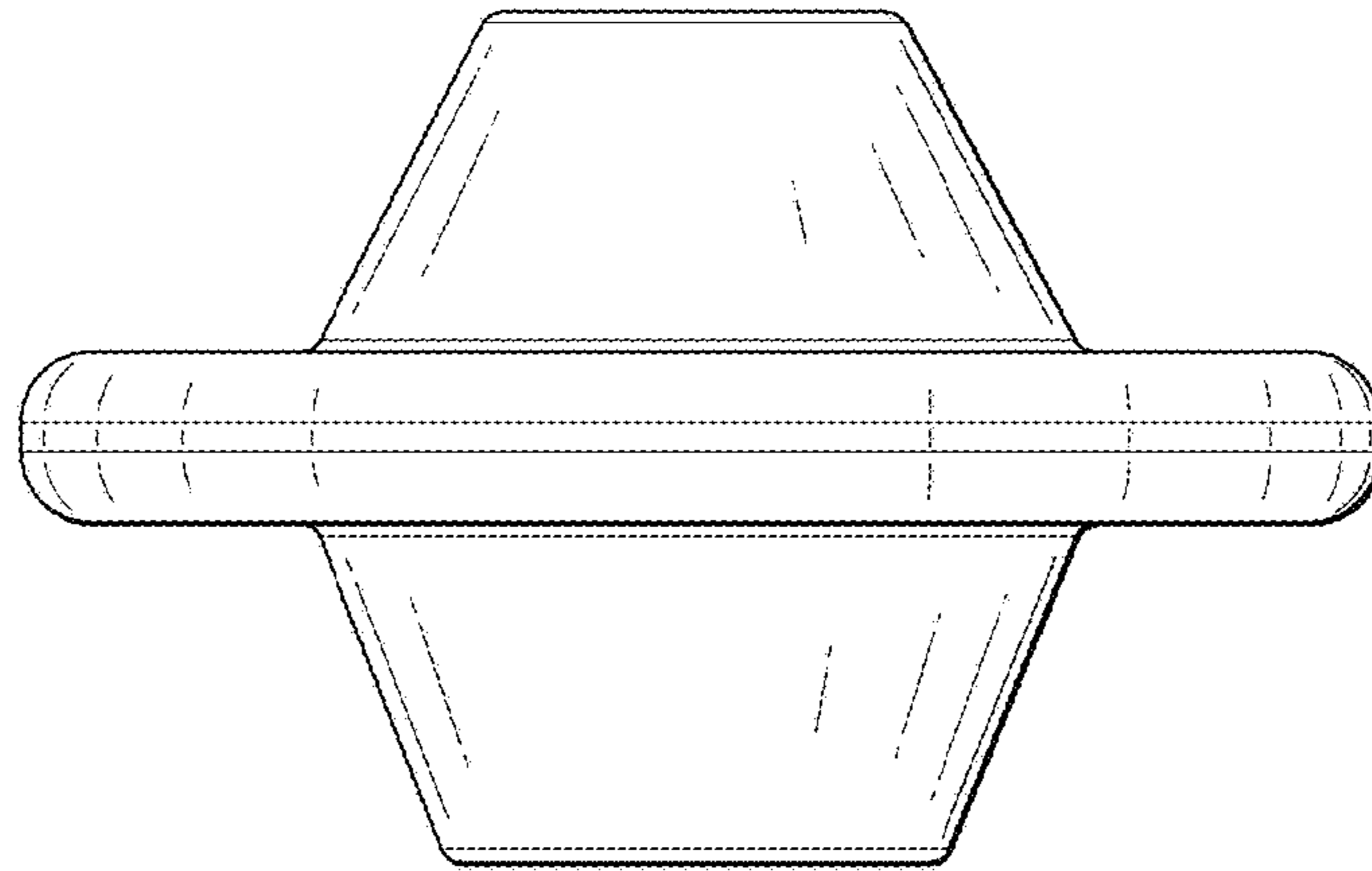


FIG. 3

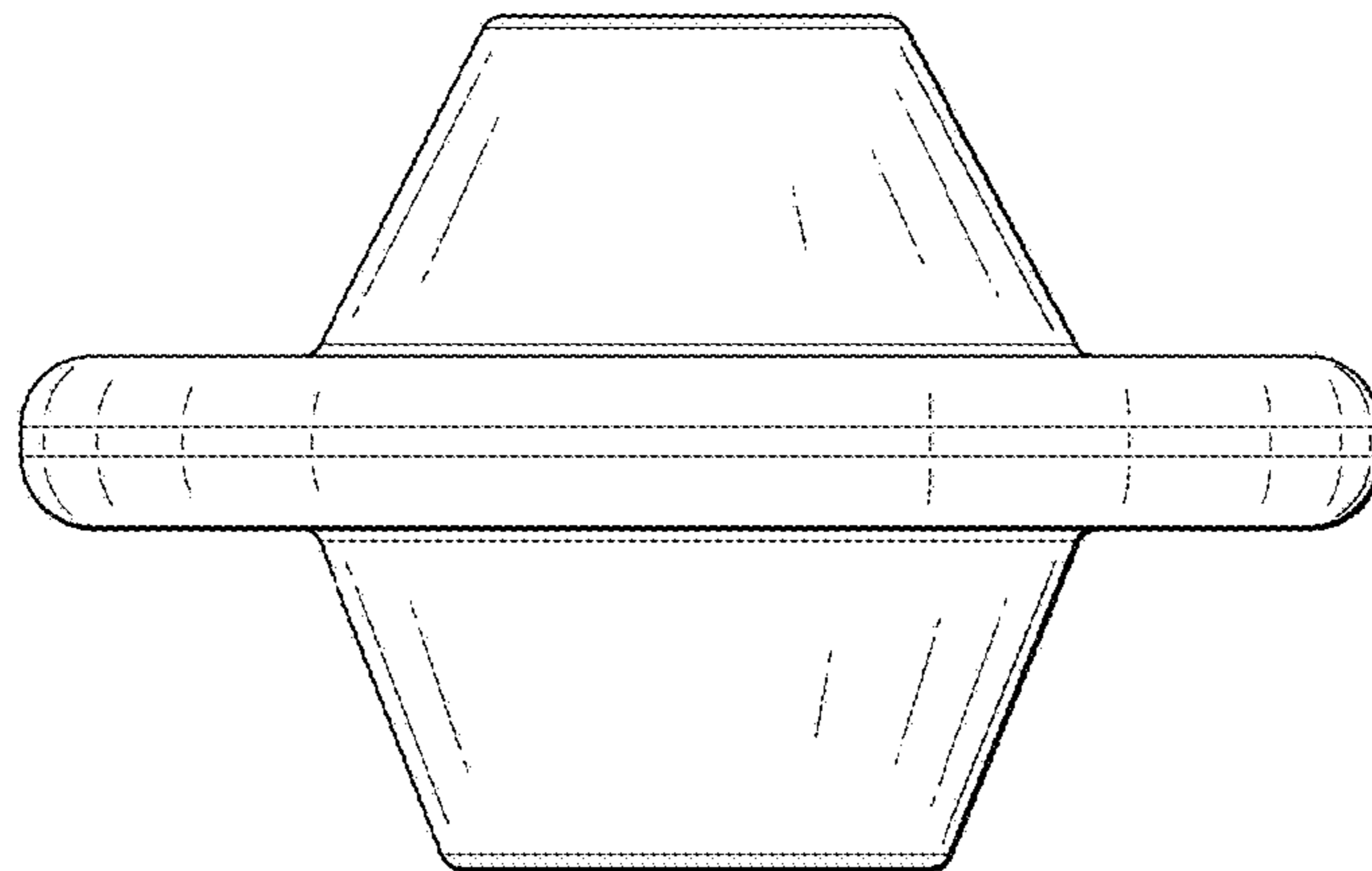


FIG. 4

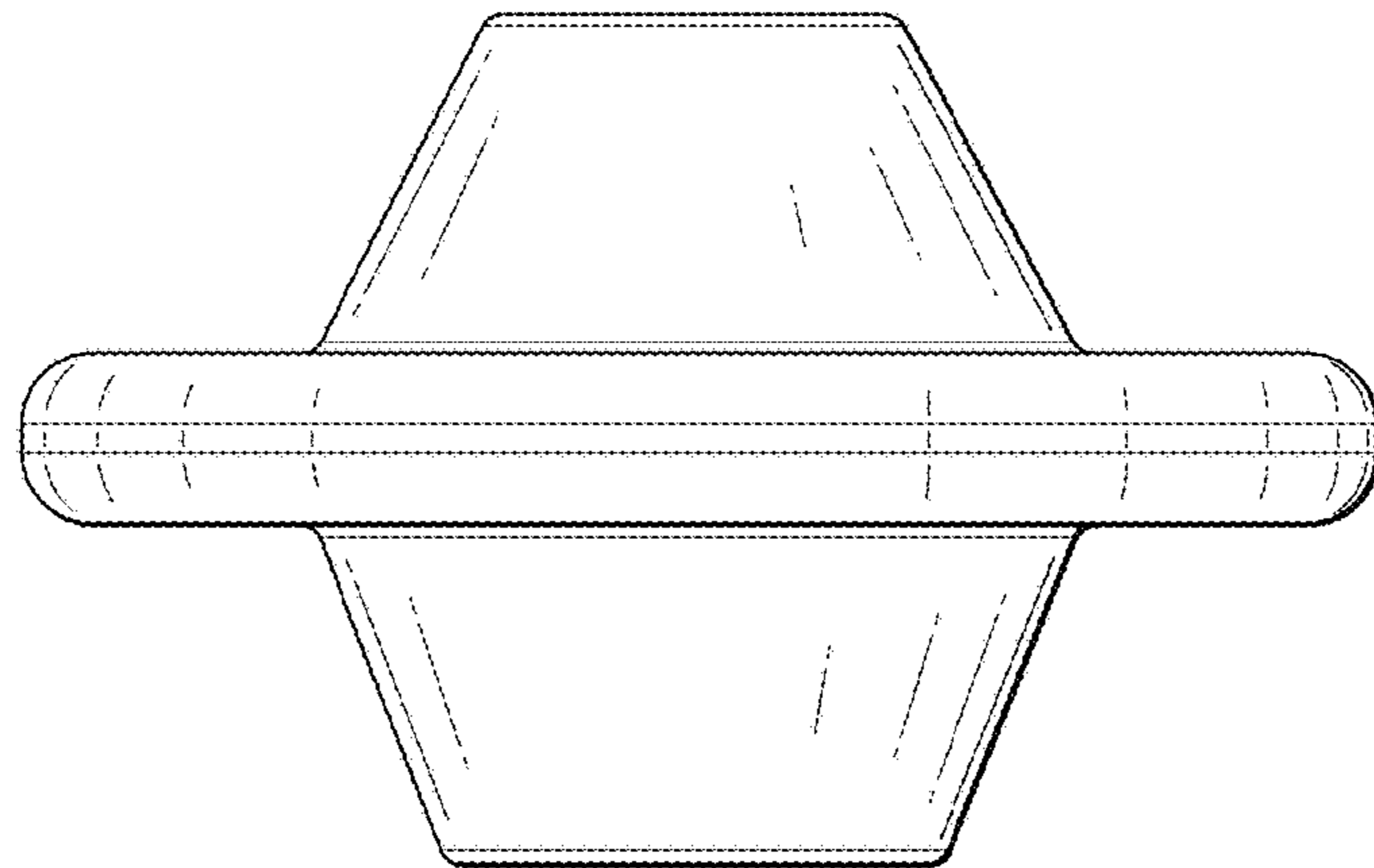


FIG. 5

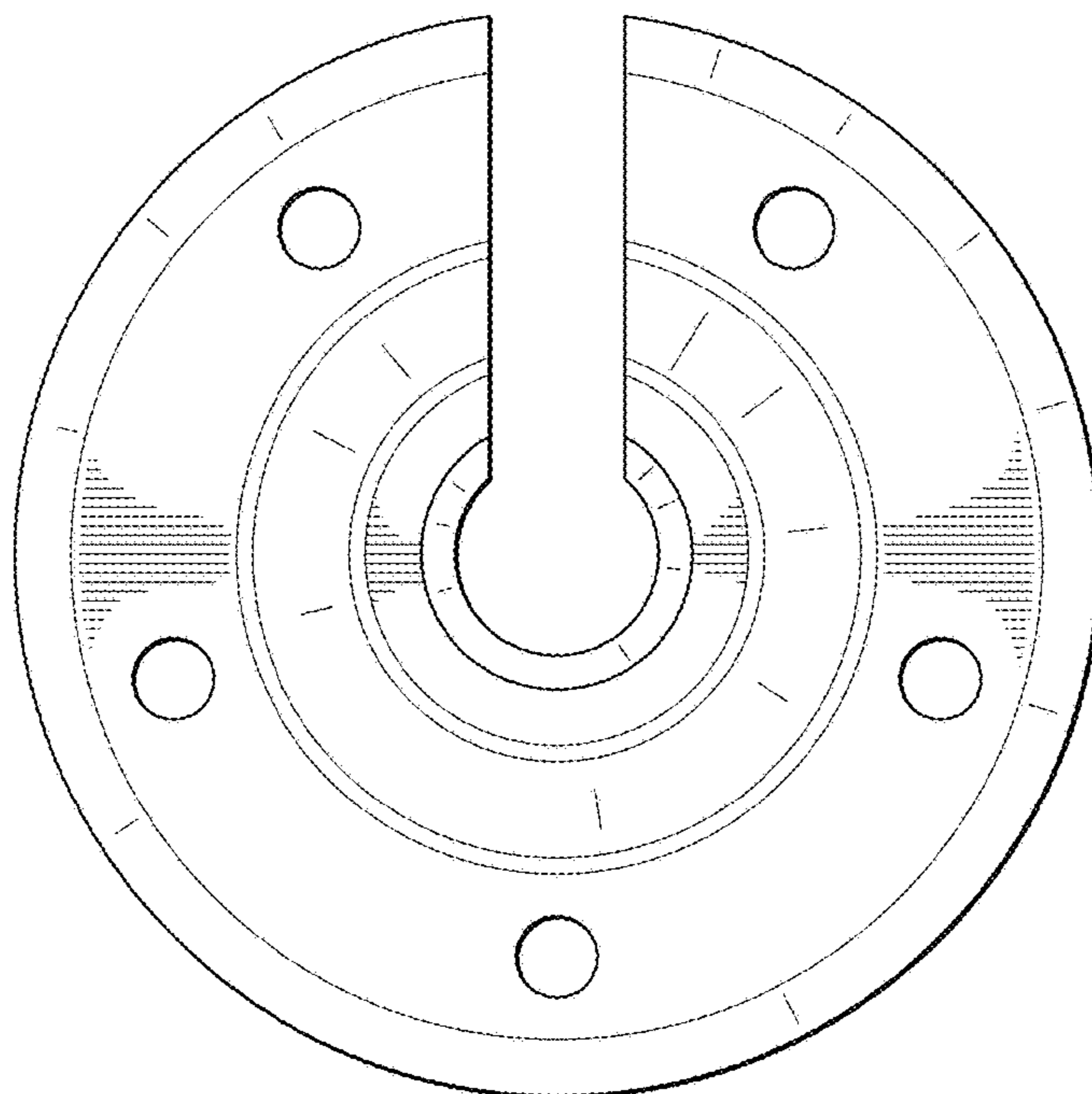


FIG. 6

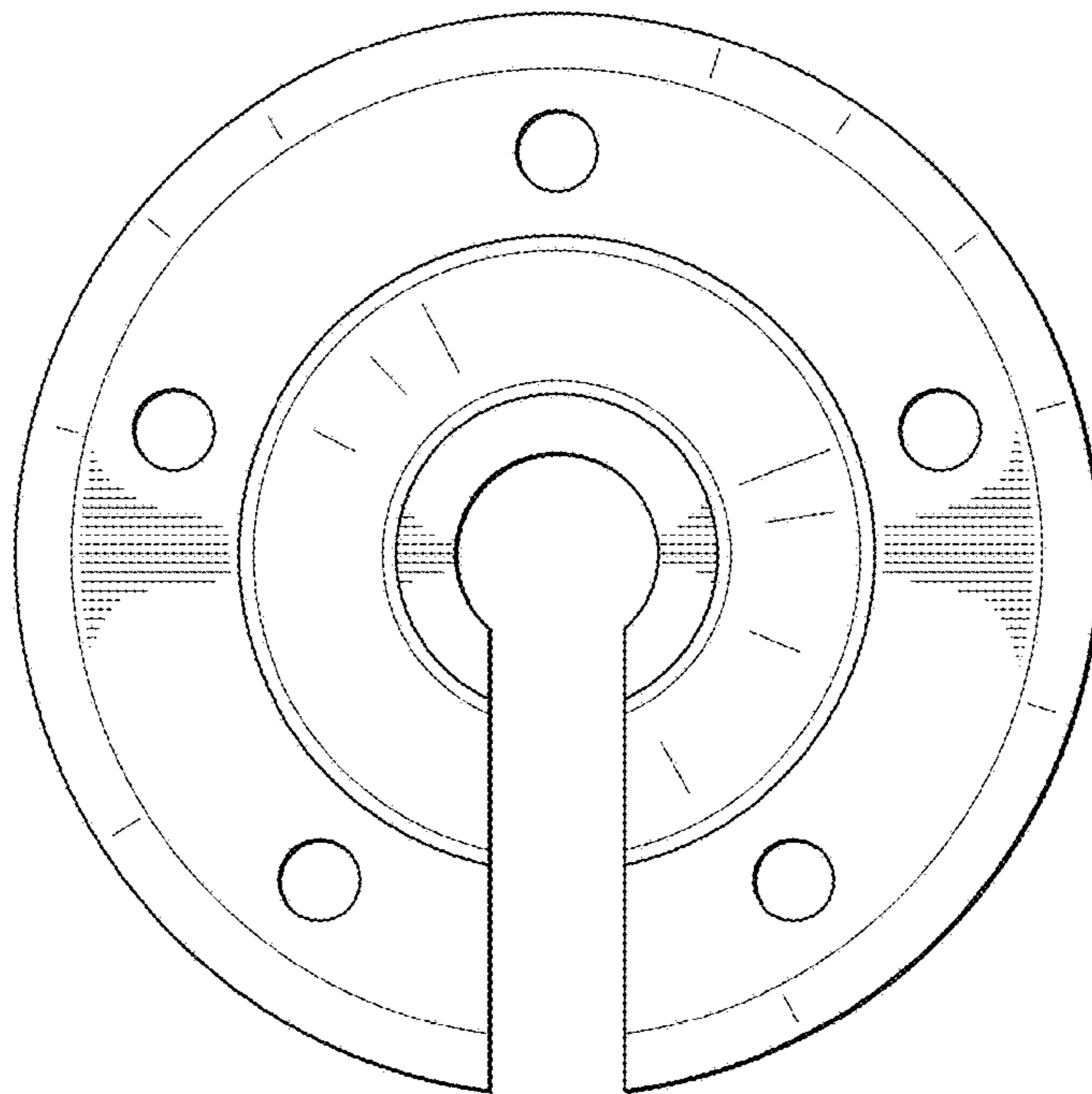


FIG. 7

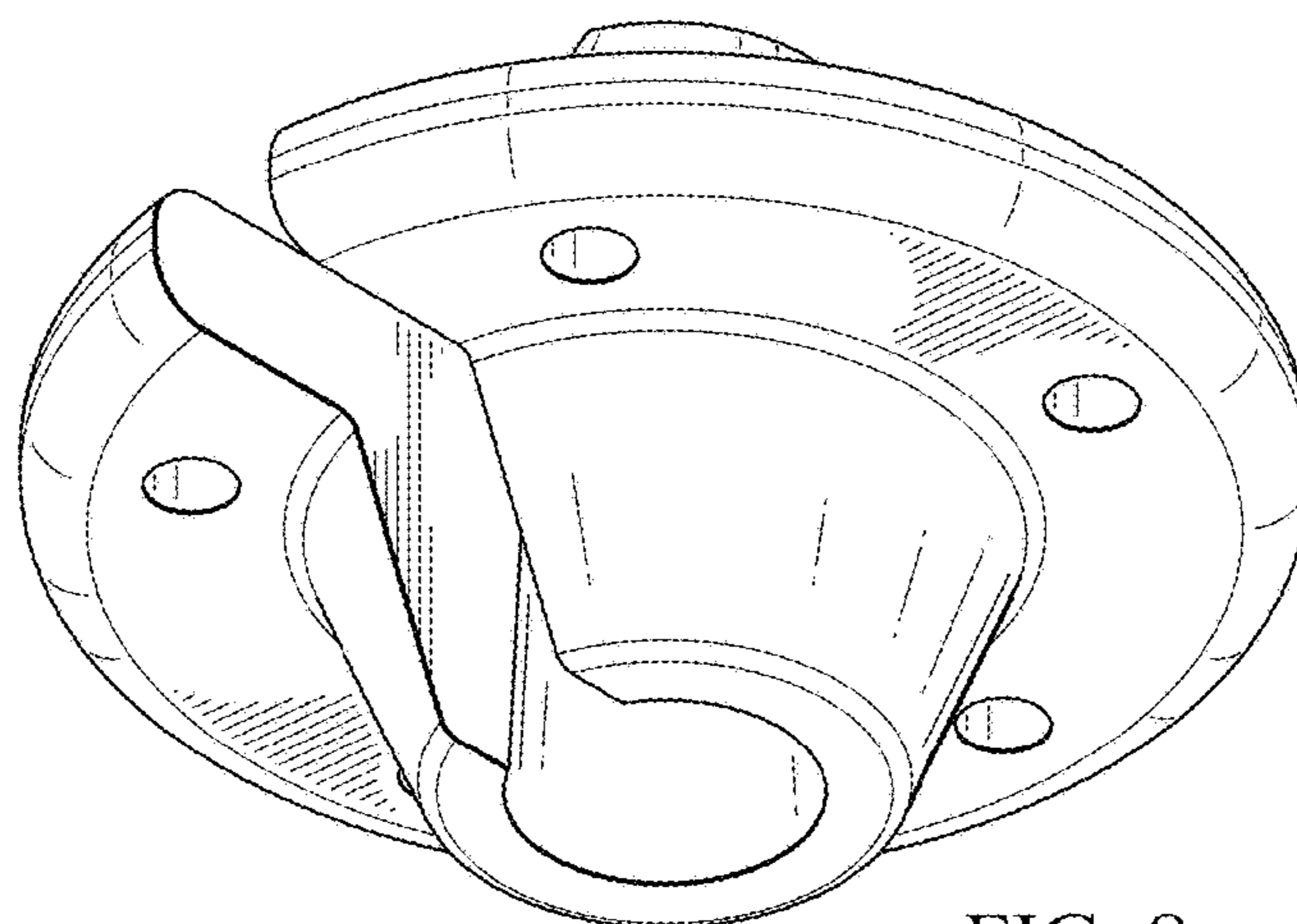


FIG. 8

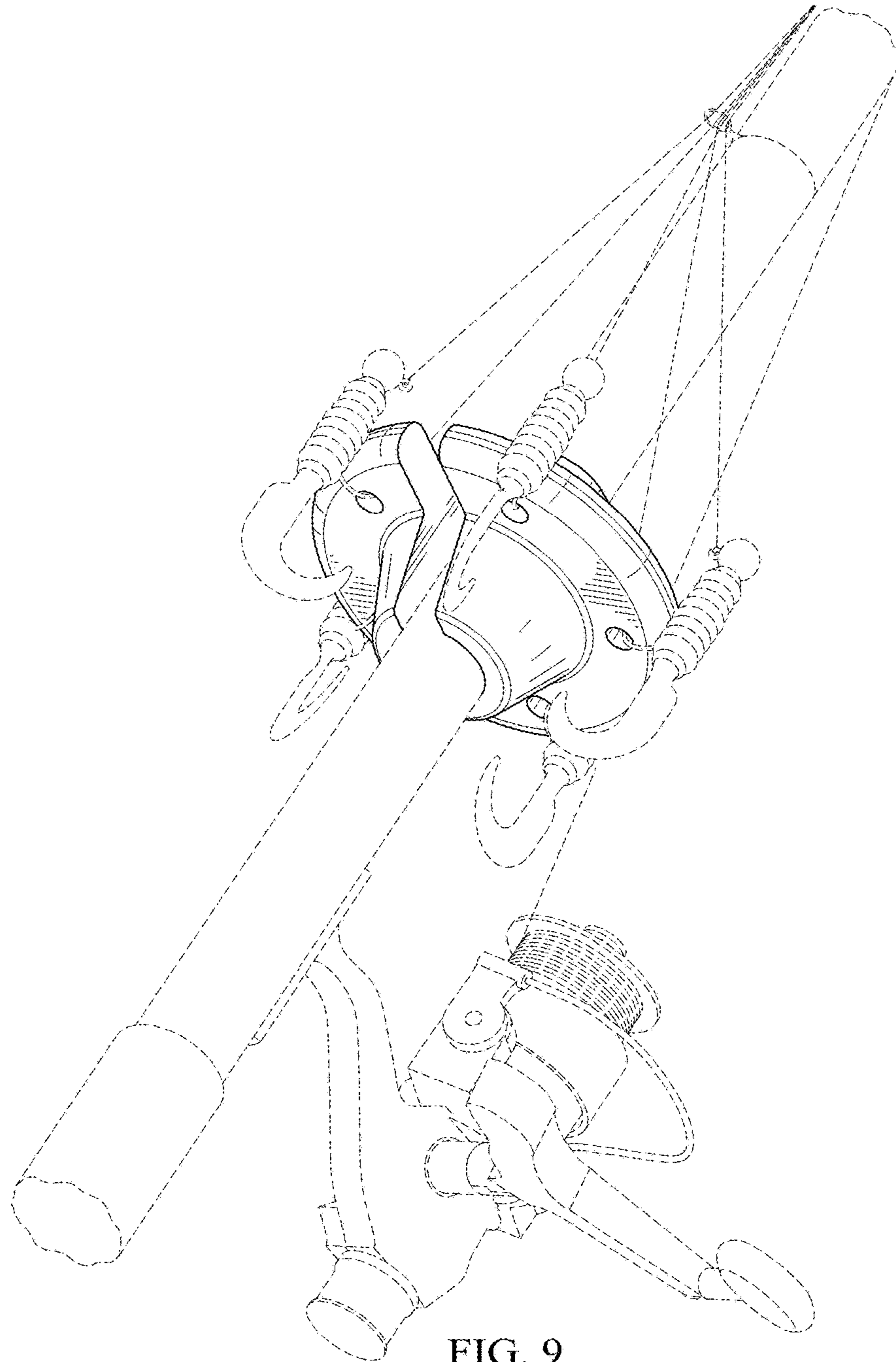


FIG. 9