



US00D857149S

(12) **United States Design Patent** (10) **Patent No.:** **US D857,149 S**  
**Xu** (45) **Date of Patent:** **\*\* Aug. 20, 2019**

(54) **MOTH TRAPPING DEVICE**

(71) Applicant: **Tao-Ming Xu**, Meizhou (CN)

(72) Inventor: **Tao-Ming Xu**, Meizhou (CN)

(\*\*) Term: **15 Years**

(21) Appl. No.: **29/650,822**

(22) Filed: **Jun. 11, 2018**

(51) **LOC (12) Cl.** ..... **22-06**

(52) **U.S. Cl.**  
USPC ..... **D22/122**

(58) **Field of Classification Search**  
USPC ..... D22/119–124; 43/107, 112–114, 121,  
43/131, 132.1; D23/366–369  
CPC ..... A01M 1/02; A01M 1/10; A01M 1/20;  
A01M 1/106; A01M 1/2011; A01M  
1/2016; A01M 1/2005; A01M 31/008;  
A01M 2200/012; A01M 2200/011  
See application file for complete search history.

(56) **References Cited**

**U.S. PATENT DOCUMENTS**

177,584	A	*	5/1876	Stephens	.....	43/107
239,503	A	*	3/1881	Ivey	.....	43/107
D313,264	S	*	12/1990	Lauchland	.....	D22/122
D340,501	S	*	10/1993	Mattesky	.....	D22/122
D343,886	S	*	2/1994	Mattesky	.....	D22/119
D633,610	S	*	3/2011	Wu	.....	D23/366

**OTHER PUBLICATIONS**

Amazon.com, Greener Mindset Pantry Moth Traps 7-Pack with Premium Pheromone Attractant (Most Effective Trap Available) Non Toxic Safe No Insecticides, 1996-2019.\*

\* cited by examiner

*Primary Examiner* — Catherine R Oliver-Garcia  
(74) *Attorney, Agent, or Firm* — ScienBiziP, P.C.

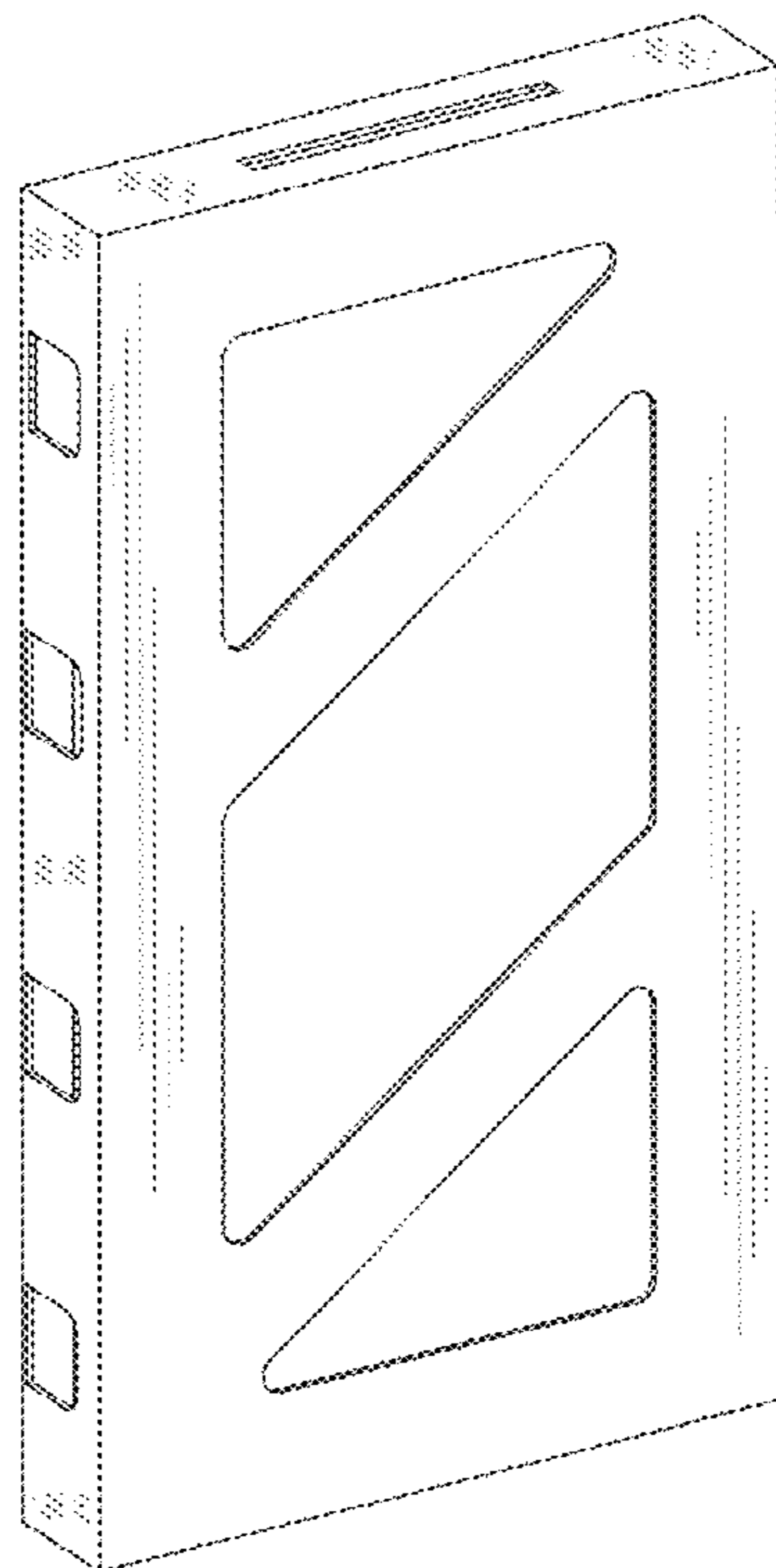
(57) **CLAIM**

The ornamental design for a moth trapping device, as shown and described.

**DESCRIPTION**

FIG. 1 is a front perspective view of a moth trapping device showing the claimed new design;  
FIG. 2 is a rear perspective view thereof;  
FIG. 3 is a front elevation view thereof;  
FIG. 4 is a rear elevation view thereof;  
FIG. 5 is a left side elevation view thereof;  
FIG. 6 is a right side elevation view thereof;  
FIG. 7 is a top plan view thereof; and  
FIG. 8 is a bottom plan view thereof; and,  
FIG. 9 is a perspective view of the moth trapping device in an environment in which it may be used.  
The broken lines immediately adjacent to the claimed portions are boundaries, all other broken lines are environmental structures, and all the broken lines form no part of the claimed design.

**1 Claim, 9 Drawing Sheets**



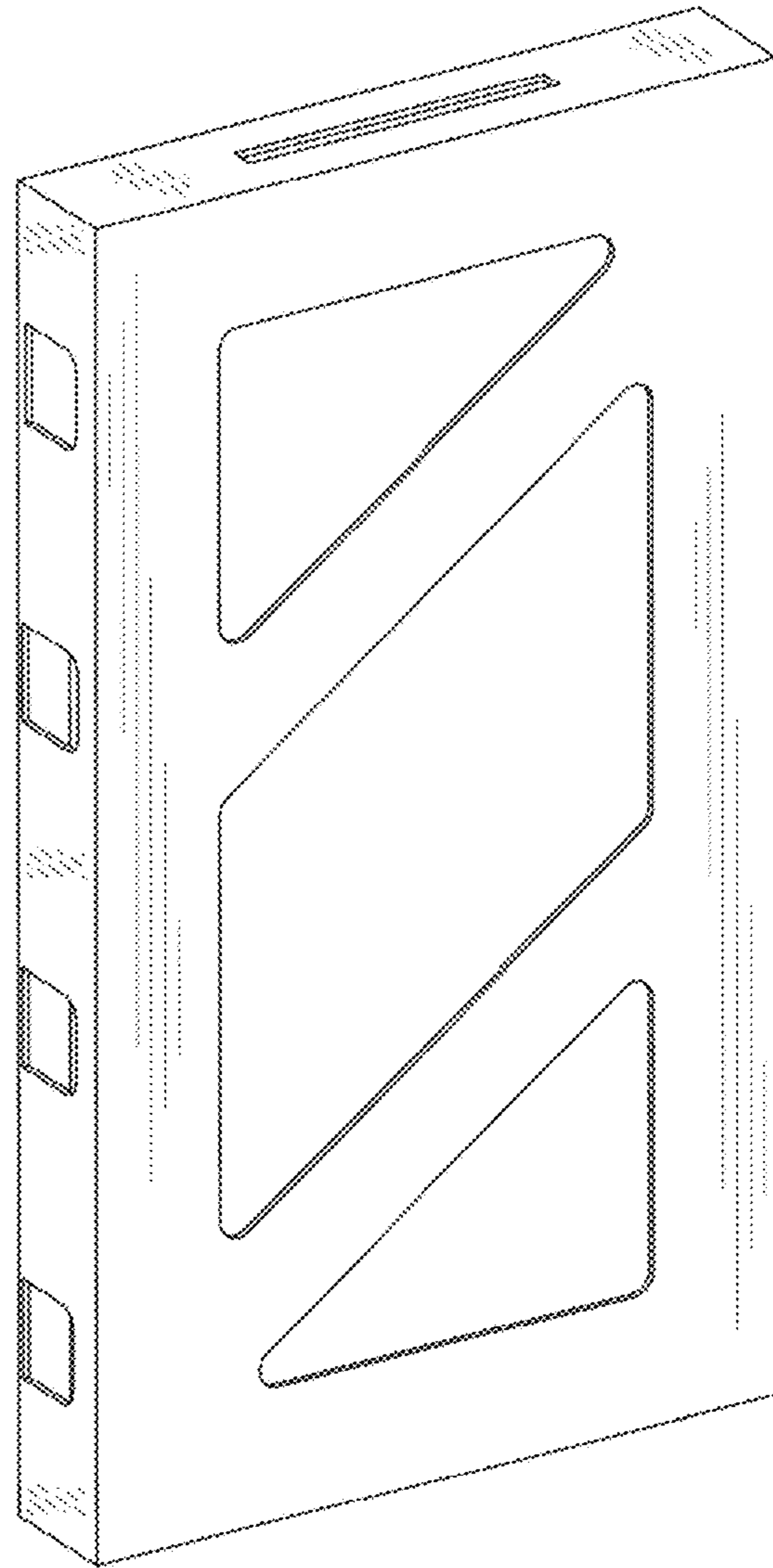


FIG. 1

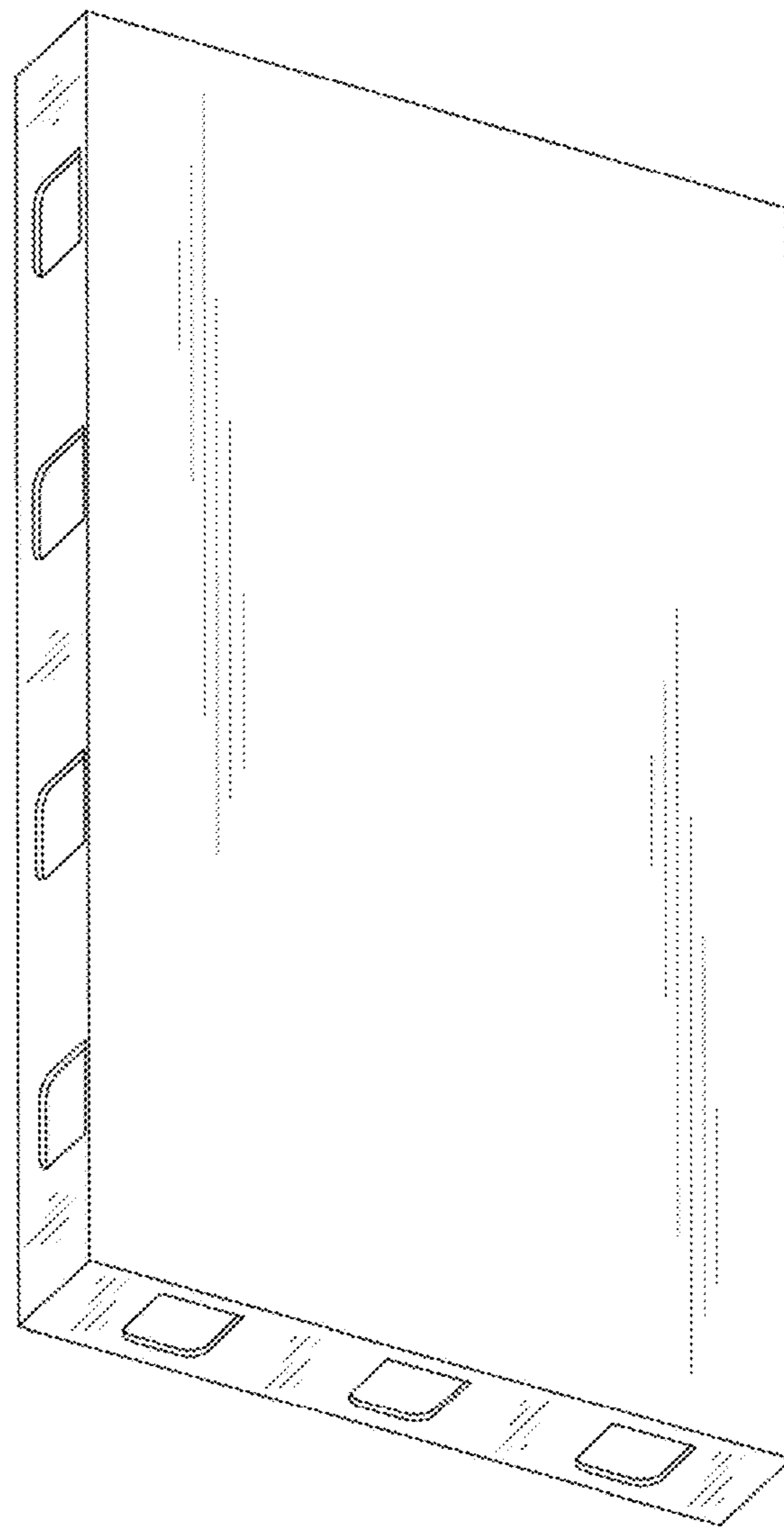


FIG. 2

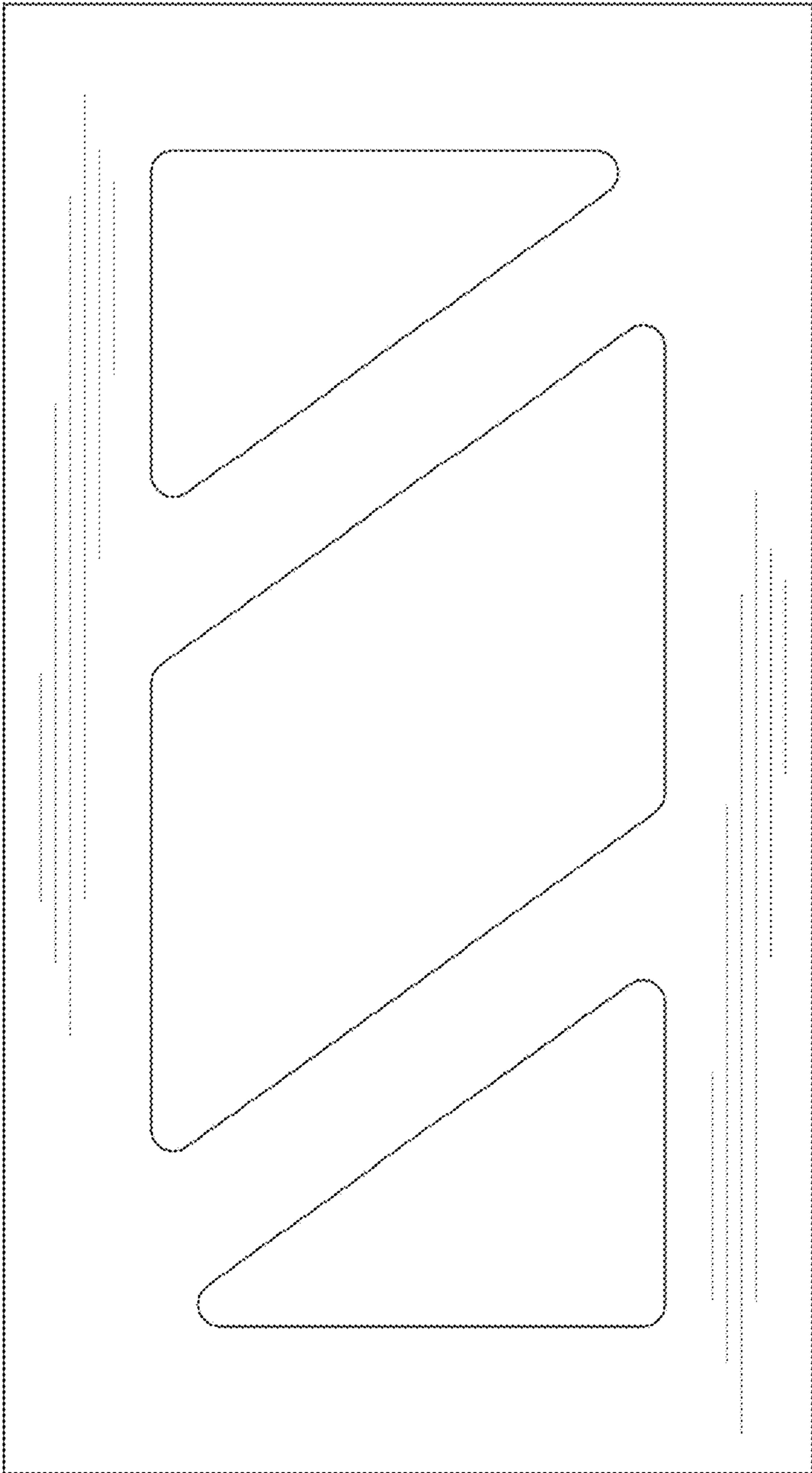


FIG. 3



FIG. 4

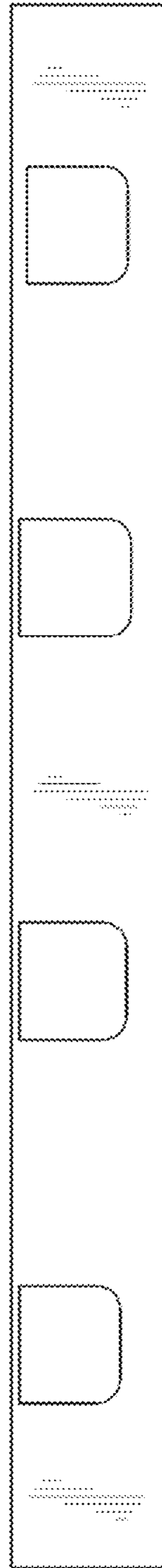


FIG. 5

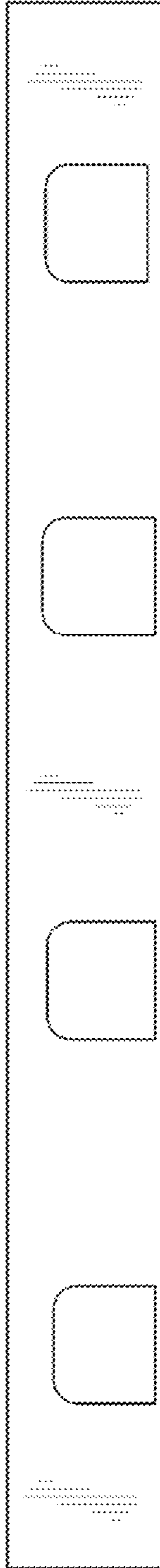


FIG. 6

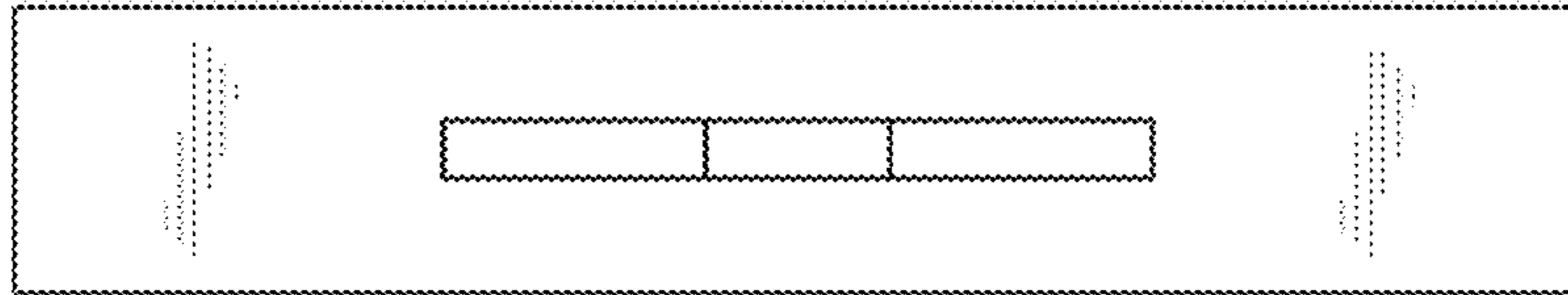


FIG. 7



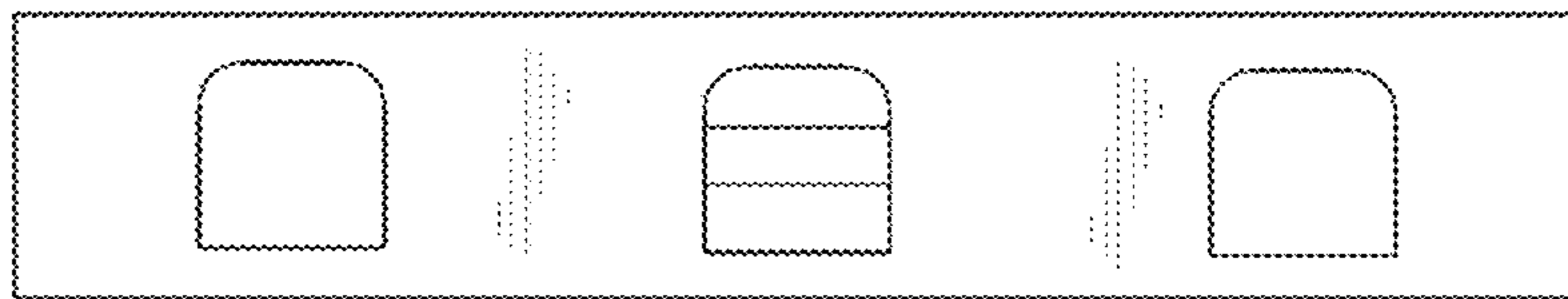


FIG. 8

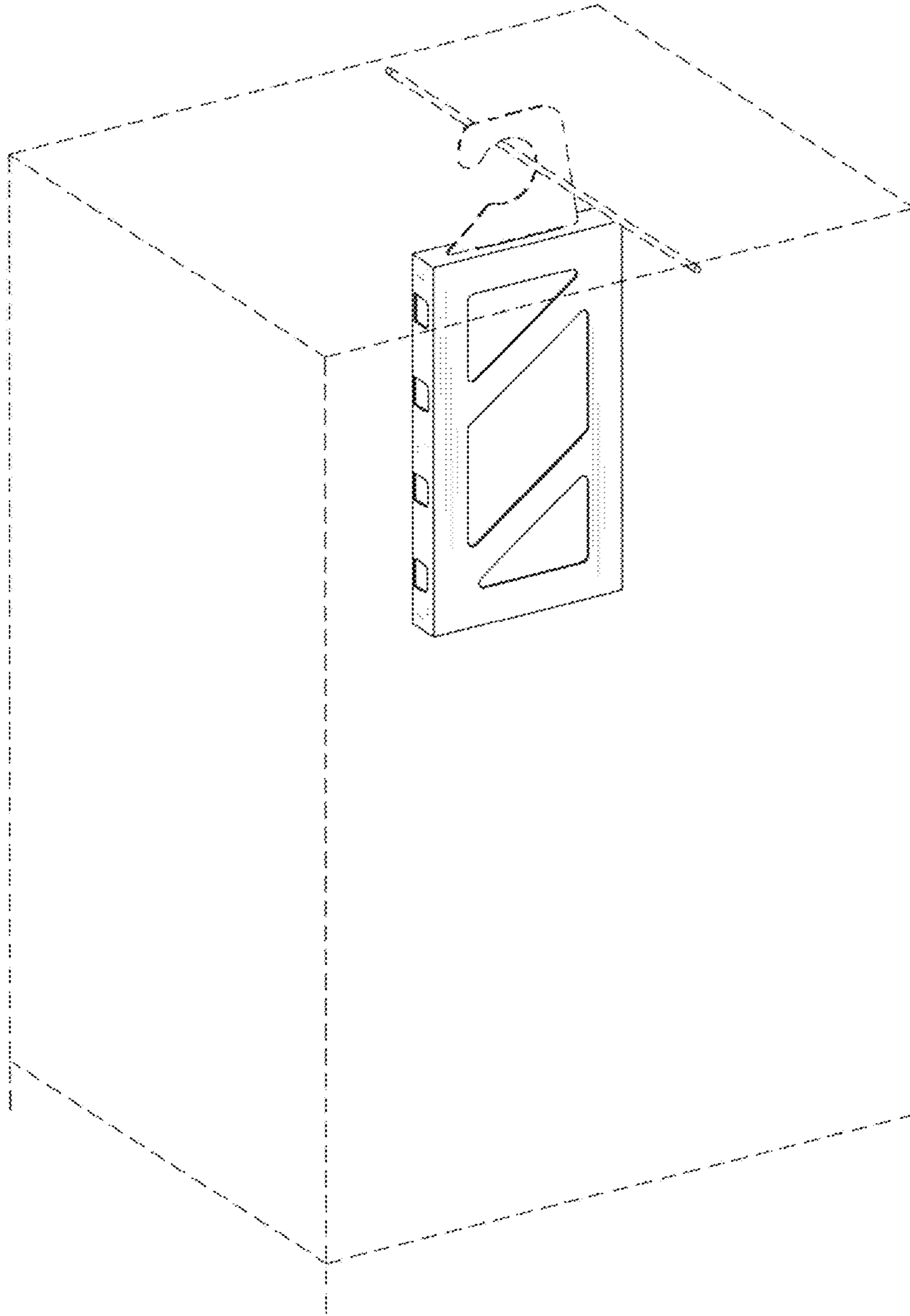


FIG. 9