



US00D857145S

(12) **United States Design Patent**
Hillman et al.

(10) **Patent No.:** **US D857,145 S**

(45) **Date of Patent:** **** Aug. 20, 2019**

(54) **REAR HANDGUN SIGHT**

(71) Applicant: **Devil Dog Concepts, LLC**, Vestal, NY (US)

(72) Inventors: **Cameron Randolph Hillman**, Vestal, NY (US); **Robert John Charpinksy**, Binghamton, NY (US)

(73) Assignee: **Devil Dog Concepts, LLC**, Vestal, NY (US)

(**) Term: **15 Years**

(21) Appl. No.: **29/671,518**

(22) Filed: **Nov. 28, 2018**

Related U.S. Application Data

(62) Division of application No. 29/607,580, filed on Jun. 14, 2017, now Pat. No. Des. 838,804.

(51) **LOC (12) Cl.** **22-01**

(52) **U.S. Cl.**
USPC **D22/109**

(58) **Field of Classification Search**
USPC D22/104–105, 107–110, 199;
D21/571–575

CPC F41G 1/00; F41G 1/06; F41G 1/10; F41G 1/16; F41G 11/003

See application file for complete search history.

(56) **References Cited**

U.S. PATENT DOCUMENTS

D301,512 S * 6/1989 Novak D22/109

D403,734 S * 1/1999 Kay D22/108

(Continued)

FOREIGN PATENT DOCUMENTS

CA 2753059 A1 * 6/2012 F41G 1/02

OTHER PUBLICATIONS

Charps: Glock Combative Handgunning Sight Set, posted at Devil Dog Concepts, posting date Sep. 3, 2018. [Site visited Nov. 3, 2018] URL: <https://devildogconcepts.com/products/charps-set> (Year: 2018).*

(Continued)

Primary Examiner — Kevin K Rudzinski

Assistant Examiner — Kathleen L Jones

(74) *Attorney, Agent, or Firm* — Eric B. Fugett; Mark A. Pitchford; Pitchford Fugett, PLLC

(57) **CLAIM**

What is claimed is the ornamental design for a rear handgun sight, as shown and described.

DESCRIPTION

FIG. 1 is a front perspective view of a rear handgun sight showing our new design.

FIG. 2 is another front perspective view of the rear handgun sight of FIG. 1.

FIG. 3 is a rear perspective view of the rear handgun sight of FIG. 1.

FIG. 4 is another front perspective view of the rear handgun sight of FIG. 1 showing the bottom of the rear handgun sight.

FIG. 5 is a top plan view of the rear handgun sight of FIG. 1.

FIG. 6 is a front elevational view of the rear handgun sight of FIG. 1.

FIG. 7 is a left side elevational view of the rear handgun sight of FIG. 1, the right side being a mirror image thereof.

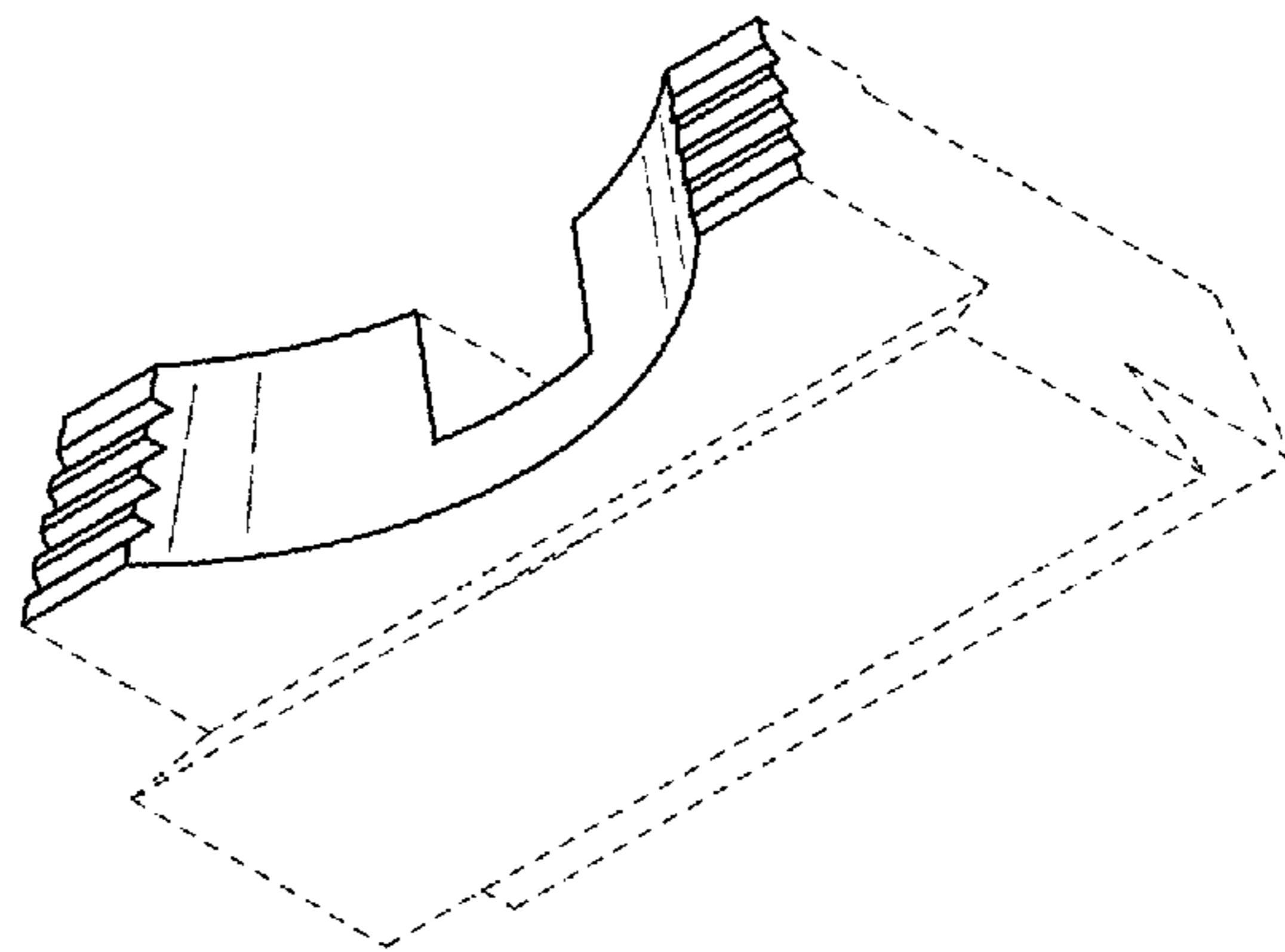
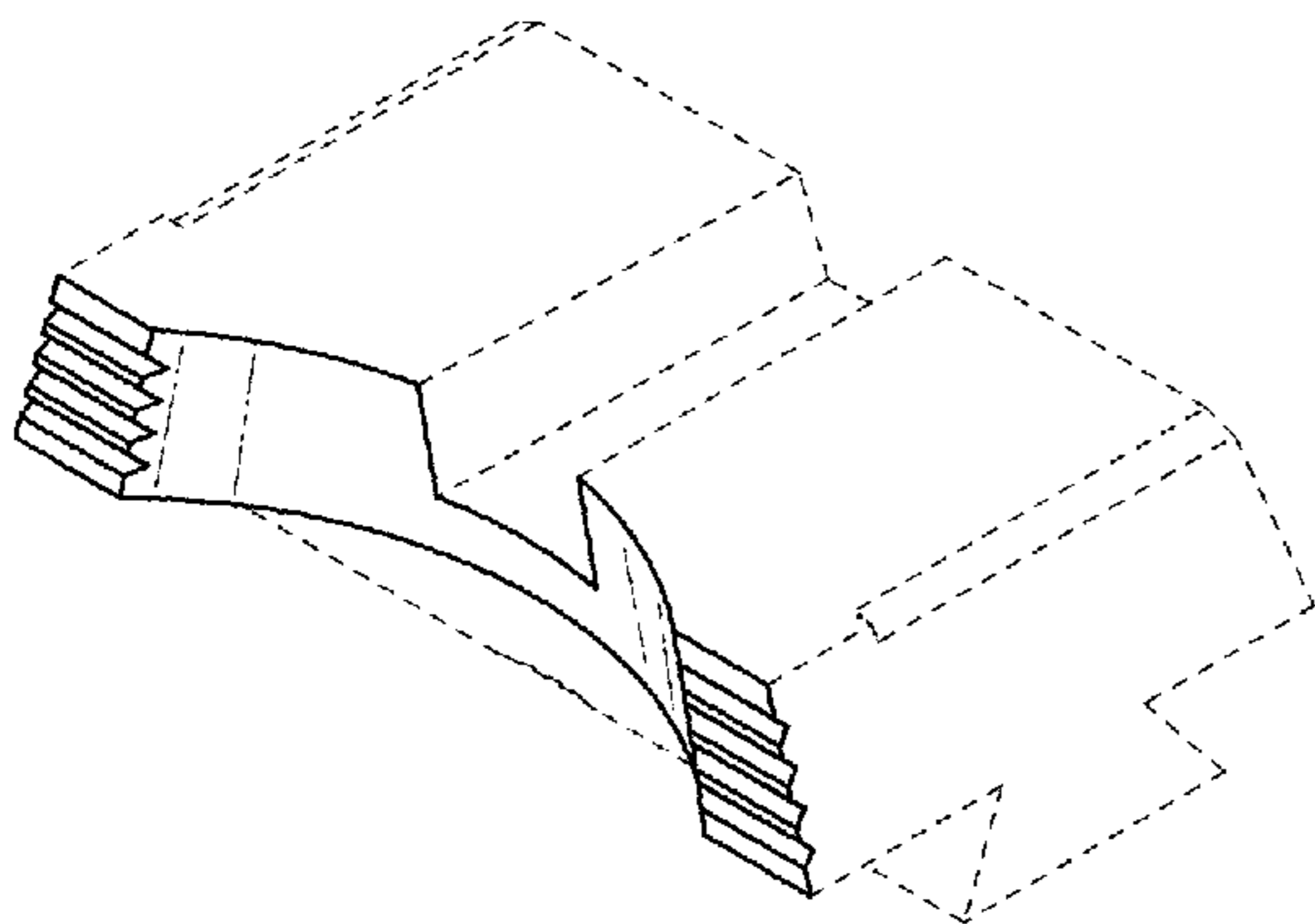
FIG. 8 is a bottom plan view of the rear handgun sight of FIG. 1.

FIG. 9 is a rear elevational view of the rear handgun sight of FIG. 1; and,

FIG. 10 is another front perspective view of the rear handgun sight of FIG. 1, showing the rear handgun sight mounted to a handgun depicted in broken lines.

The broken lines throughout the figures depict portions of the article or environmental structure that forms no part of the claimed design.

1 Claim, 3 Drawing Sheets



(56)

References Cited

U.S. PATENT DOCUMENTS

D407,788 S * 4/1999 Kay D22/108
 D435,625 S * 12/2000 Ling, Jr. D22/100
 D447,205 S * 8/2001 Keng D22/100
 D492,747 S * 7/2004 LoRocco D22/109
 D515,170 S * 2/2006 Price D22/109
 D527,068 S * 8/2006 Warren D22/109
 D541,897 S * 5/2007 Warren D22/109
 D611,113 S * 3/2010 Kay D22/109
 D638,902 S * 5/2011 Emde D22/109
 D663,375 S * 7/2012 Glimpse D22/109
 D667,522 S * 9/2012 Glimpse D22/109
 D667,524 S * 9/2012 Glimpse D22/109
 D669,554 S * 10/2012 Warren D22/109
 D679,359 S * 4/2013 Adock, Jr. D22/108
 D716,410 S * 10/2014 Wallgren D22/109
 D732,630 S * 6/2015 Nevils D22/109
 D739,913 S * 9/2015 Nevils D22/109
 D760,863 S * 7/2016 Wallgren D22/109
 D769,397 S * 10/2016 Lam D22/108
 D786,386 S * 5/2017 Sapio D22/109
 D788,251 S * 5/2017 Sylvester D22/108
 D797,233 S * 9/2017 Howlett D22/110
 10,006,740 B1 * 6/2018 Keller F41G 1/01

D838,804 S * 1/2019 Hillman D22/109
 2008/0092425 A1 * 4/2008 Keng F41G 1/01
 2011/0088306 A1 * 4/2011 Nasef H02G 3/0493
 2011/0107650 A1 * 5/2011 Howe F41G 1/10
 2011/0314721 A1 * 12/2011 Lamb F41G 1/10
 2013/0255129 A1 * 10/2013 Curry F41G 1/00
 2017/0138696 A1 * 5/2017 Williams F41G 1/10
 2018/0087871 A1 * 3/2018 Toner F41G 1/16
 2019/0017781 A1 * 1/2019 Noonan F41G 1/18

OTHER PUBLICATIONS

1911 Sight Set, posted at Amazon, review posted Mar. 1, 2016. [Site visited Nov. 3, 2018] URL: <https://www.amazon.com/1911-Sight-Set-Tritium-Front/dp/B00ZSIGTVI> (Year: 2016).
 Vickers Elite Battlesight for H&K, posted at Wilson Combat, posting date not available. [Site visited Nov. 3, 2018] URL: <https://shopwilsoncombat.com/Vickers-Elite-Battlesight-for-HK-Black-Serrated/productinfo/699HKB/>.

* cited by examiner

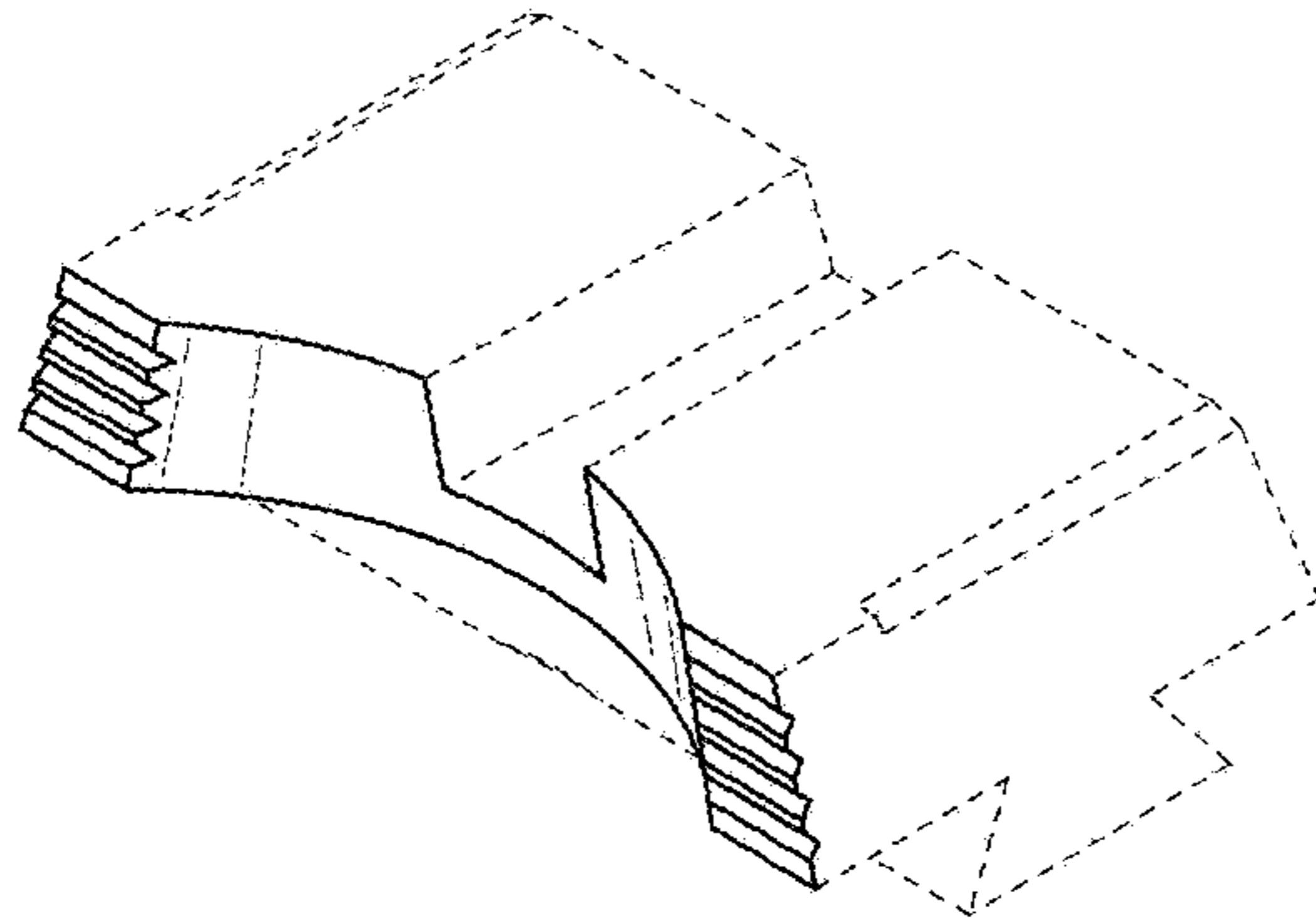


FIG. 1

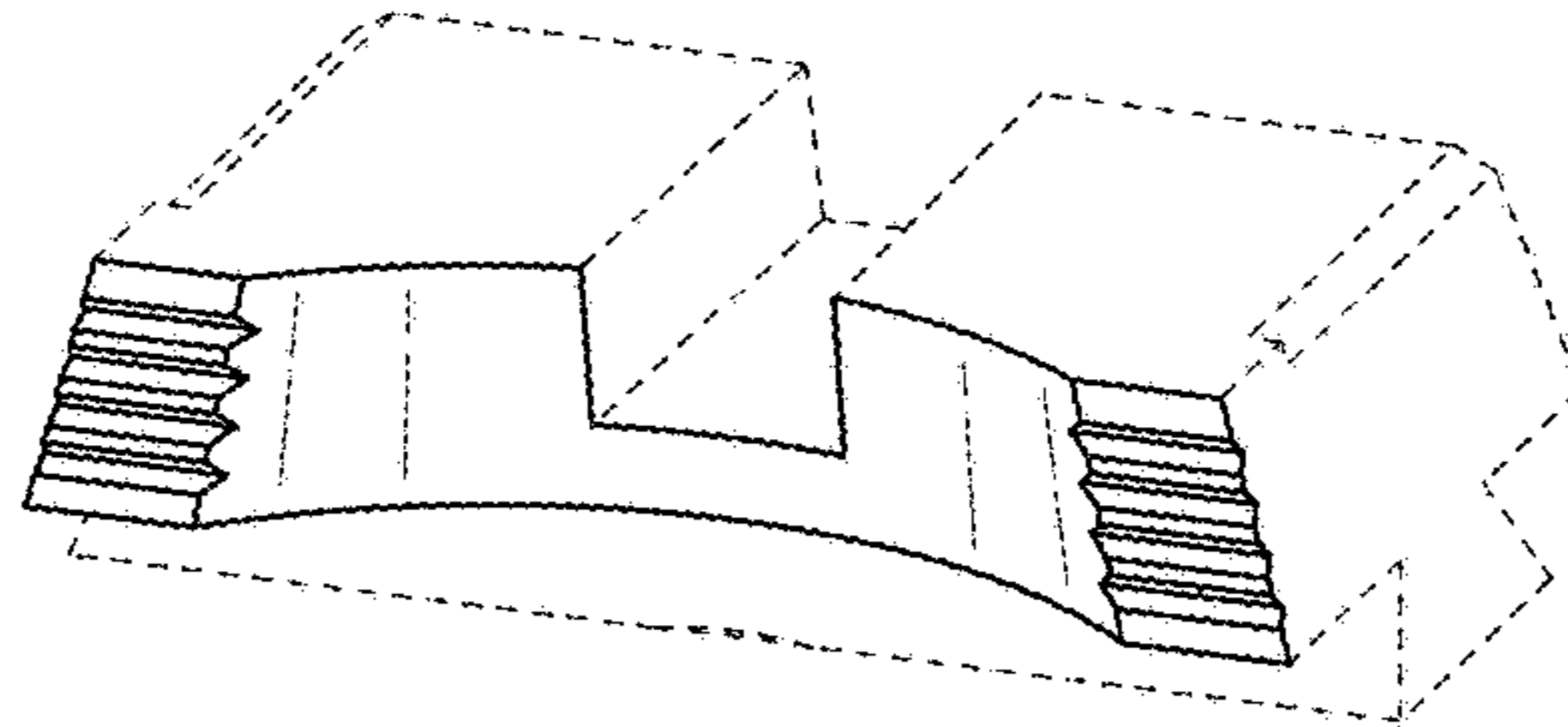


FIG. 2

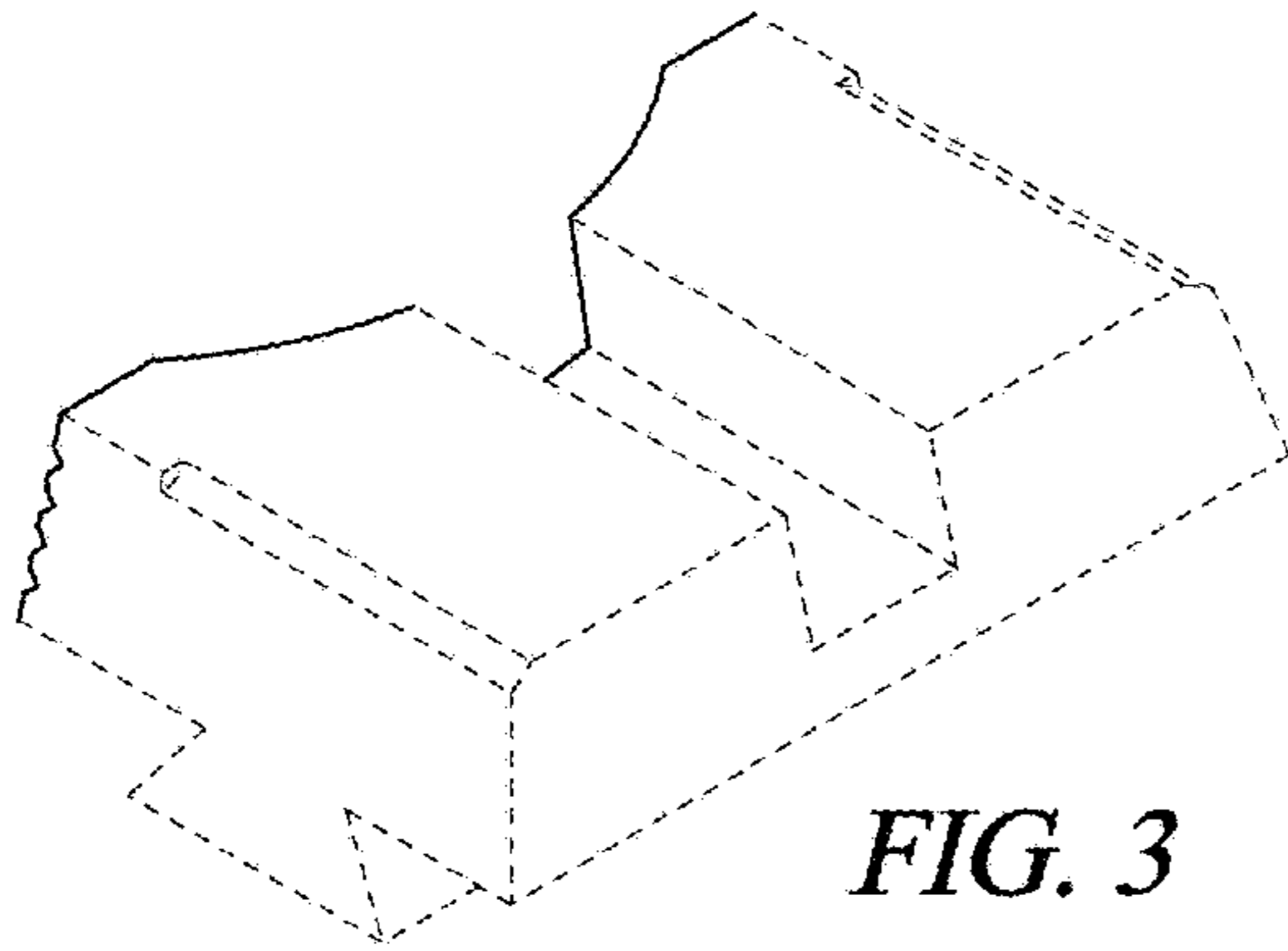


FIG. 3

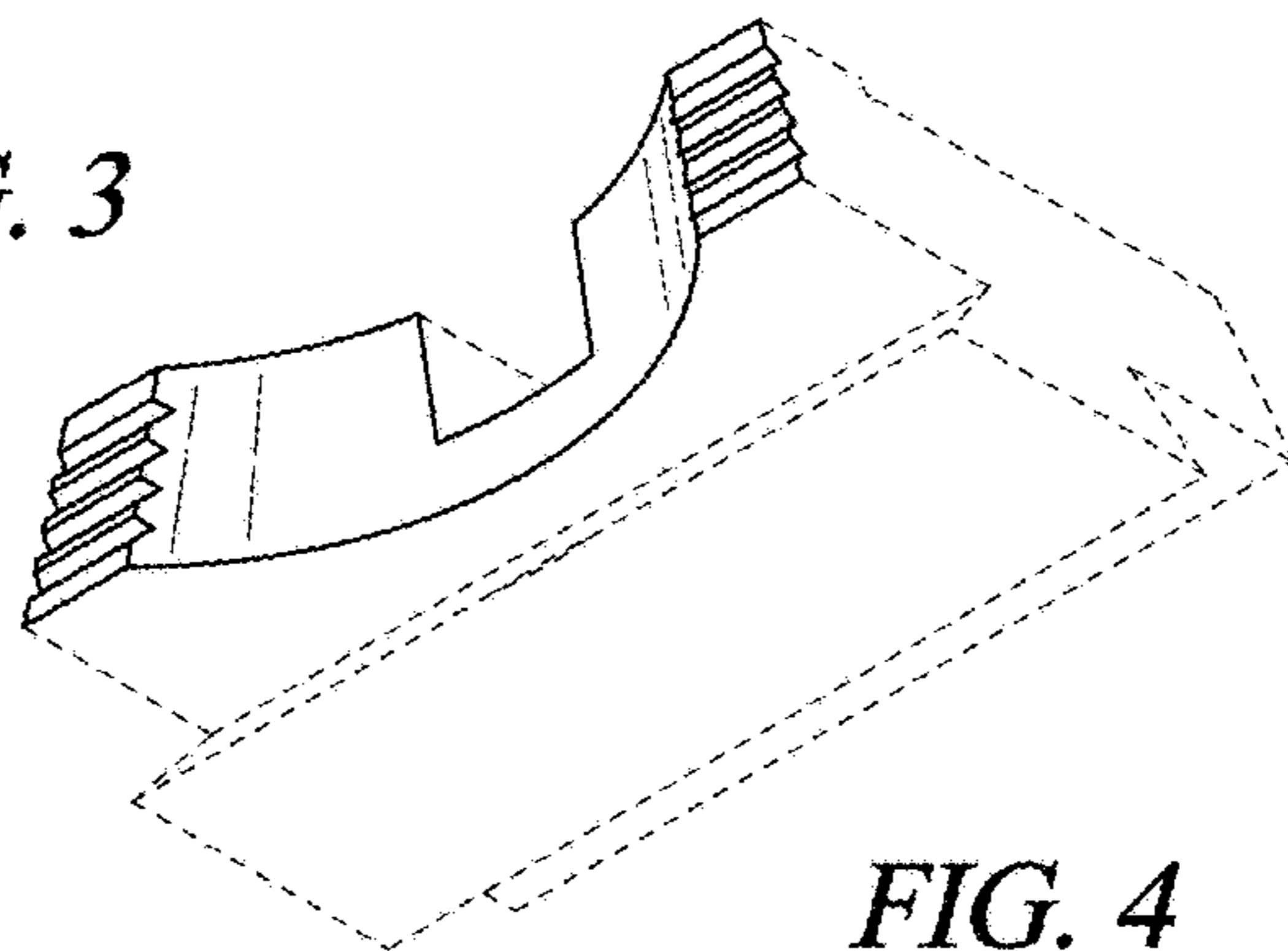


FIG. 4

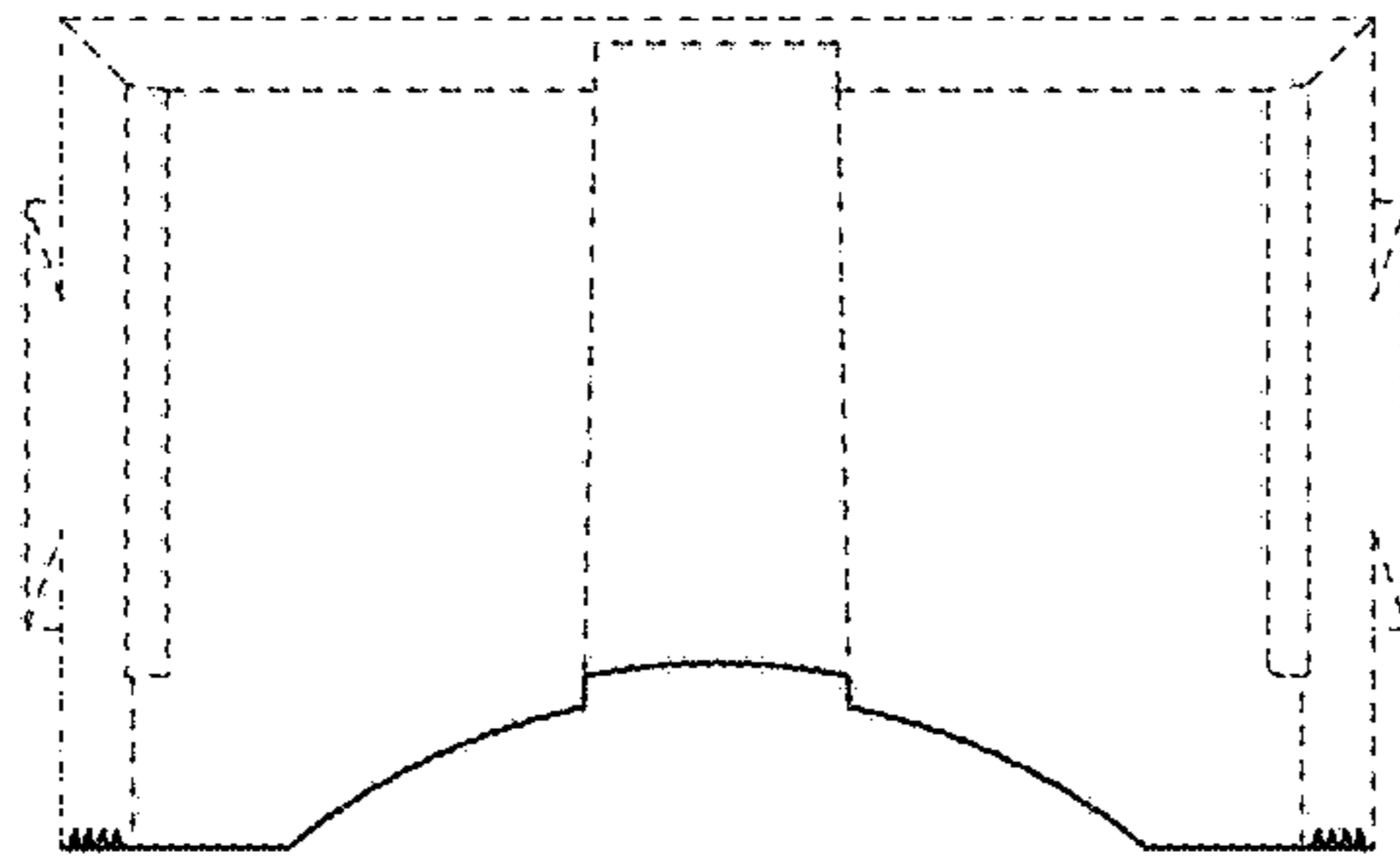


FIG. 5

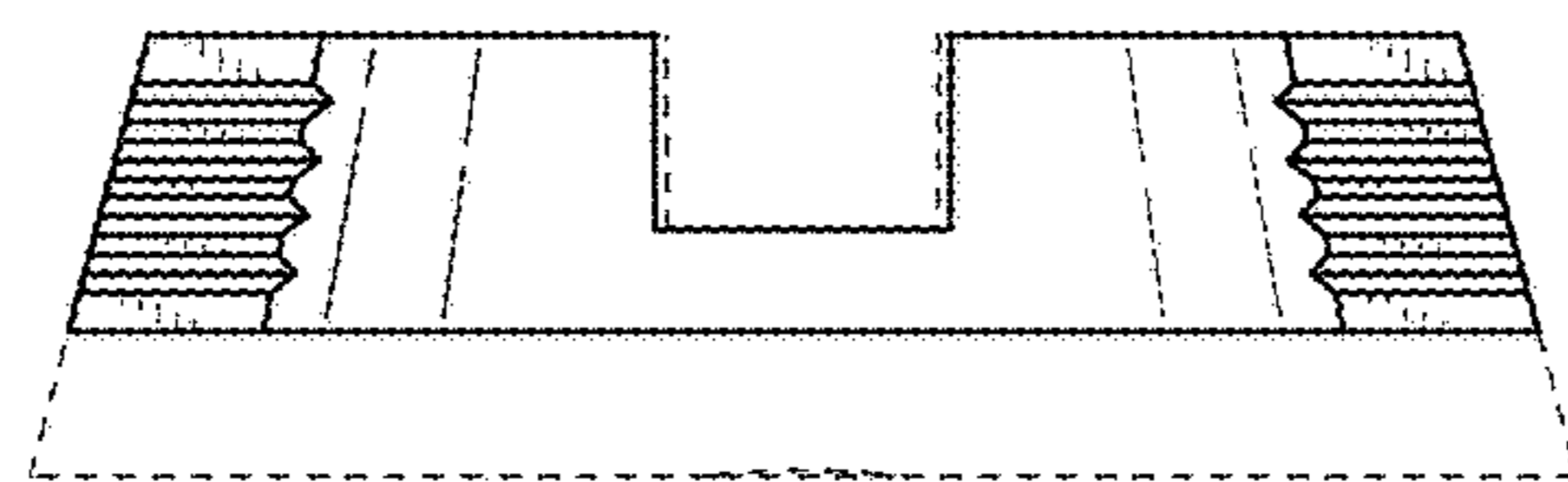


FIG. 6

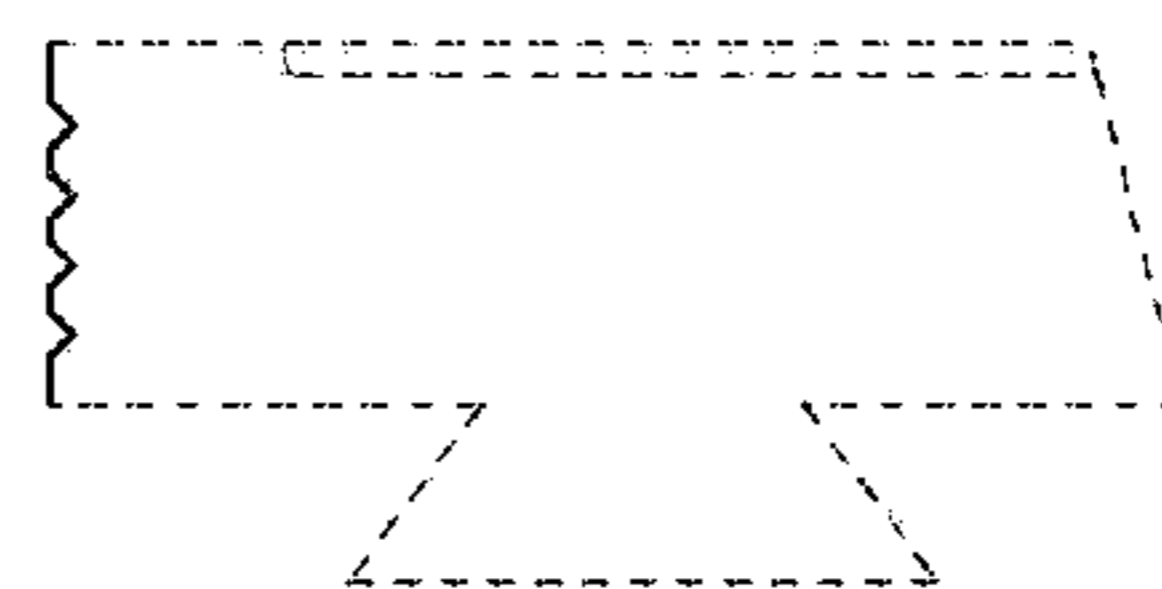


FIG. 7

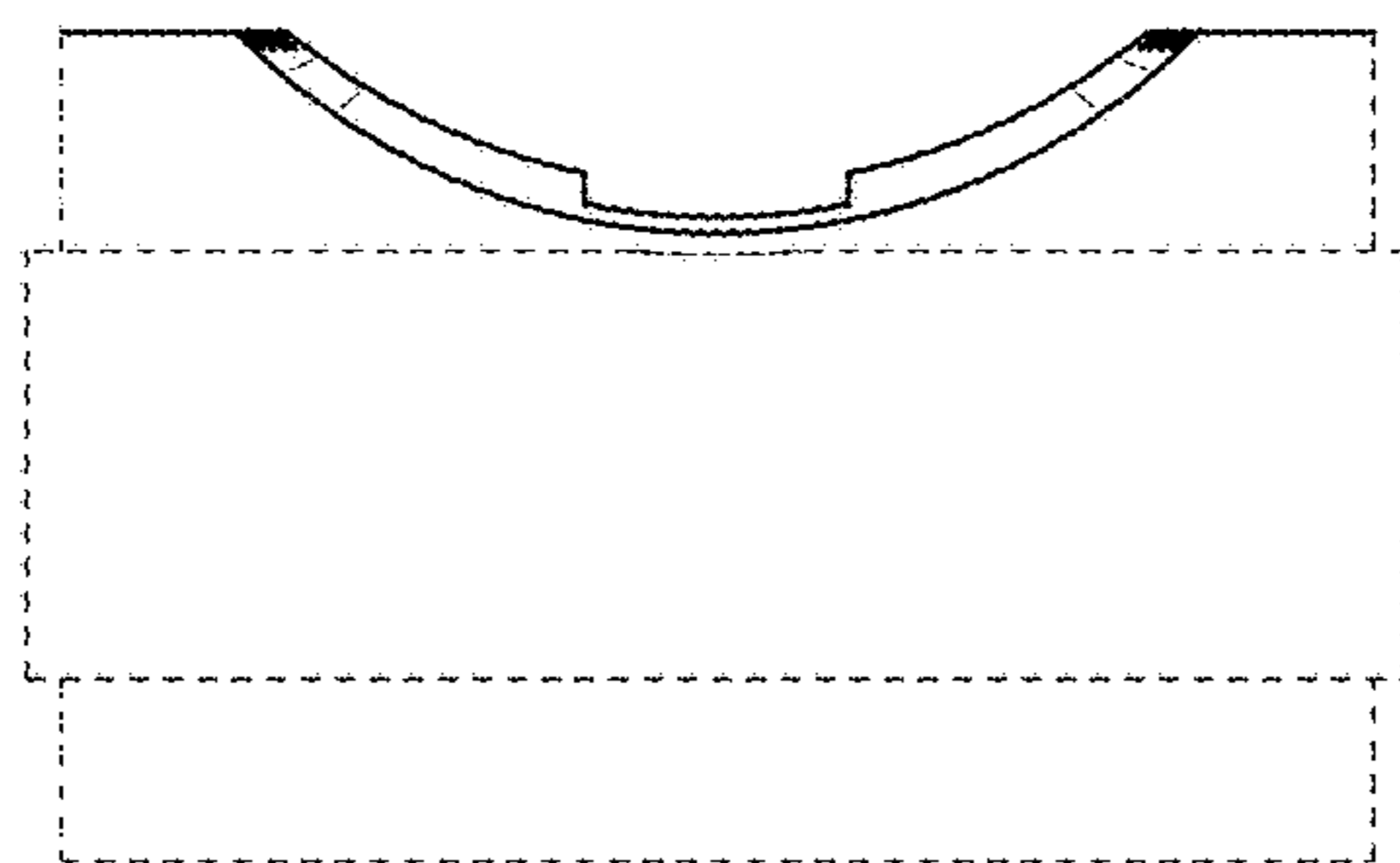


FIG. 8

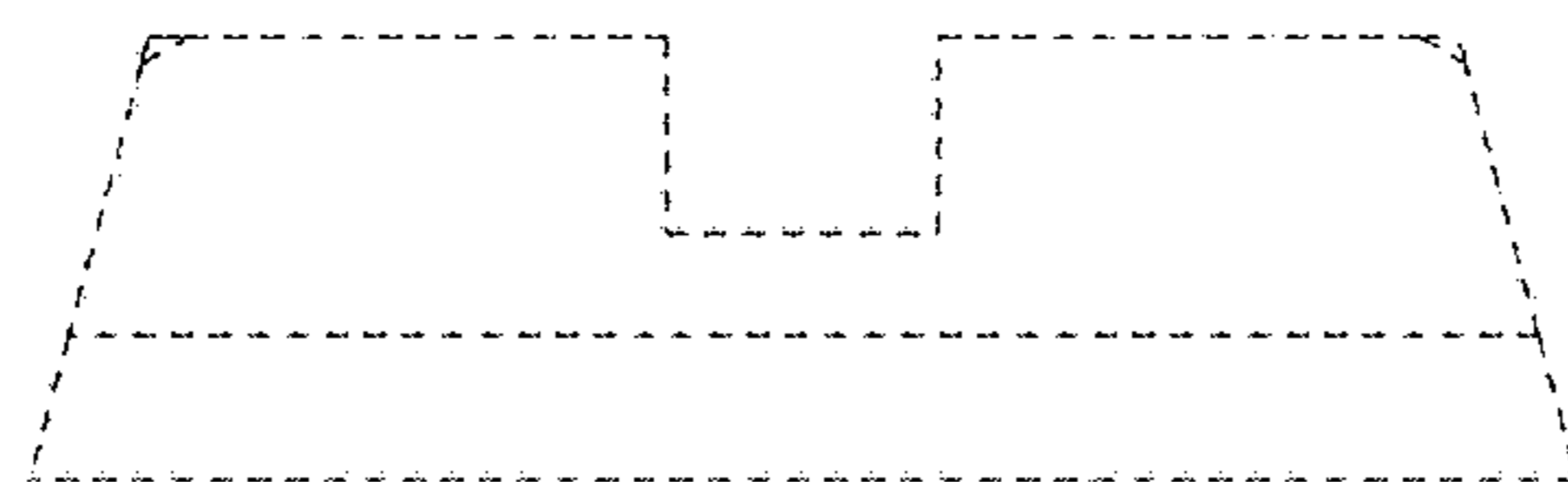


FIG. 9

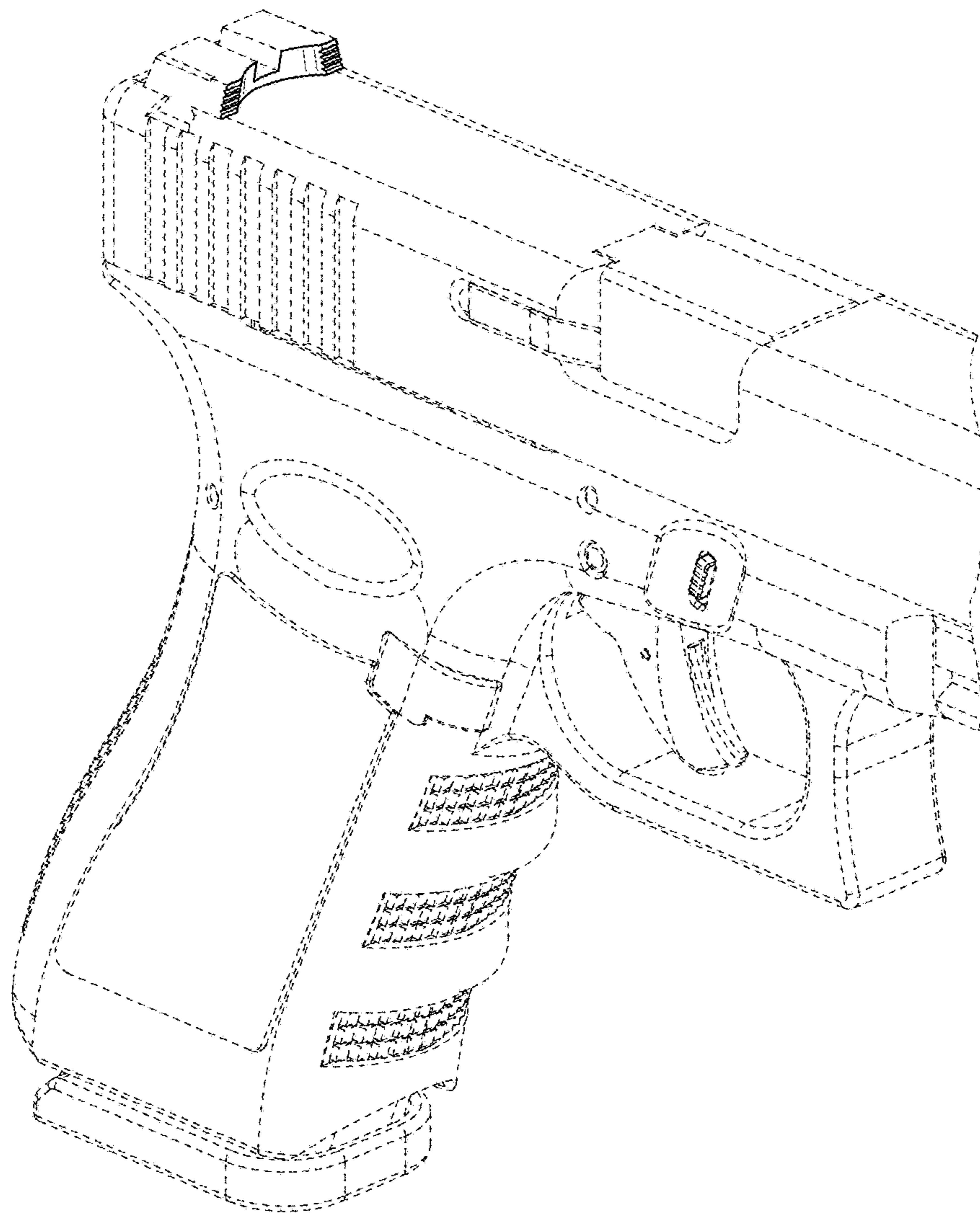


FIG. 10