

US00D857143S

(12) **United States Design Patent** (10) **Patent No.:** **US D857,143 S**
Mateko (45) **Date of Patent:** **** Aug. 20, 2019**

(54) **SPLIT SECURITY BOLT WITH LOCKING PIN COMBINATION**

(71) Applicant: **Brad Mateko**, Moorpark, CA (US)

(72) Inventor: **Brad Mateko**, Moorpark, CA (US)

(**) Term: **15 Years**

(21) Appl. No.: **29/630,923**

(22) Filed: **Dec. 22, 2017**

(51) **LOC (12) Cl.** **22-01**

(52) **U.S. Cl.**
USPC **D22/108**

(58) **Field of Classification Search**
USPC D8/330, 331, 339, 342, 343, 344, 387;
D12/106, 162

CPC . E05B 65/00; E05C 1/00; E05C 19/00; E05C 19/10

See application file for complete search history.

(56) **References Cited**

U.S. PATENT DOCUMENTS

D34,691 S *	6/1901	Monroe	411/456
D243,154 S *	1/1977	Dieme	D8/387
D364,548 S *	11/1995	Platt	D8/331
D496,260 S *	9/2004	Echazabal	D8/387
D587,095 S *	2/2009	Johnson	D8/330
D596,921 S *	7/2009	Hageman	D8/330
D605,927 S *	12/2009	Wyers	D8/331
D666,486 S *	9/2012	Czipri	D8/387
D688,172 S *	8/2013	Terpsma	D12/162
D776,513 S *	1/2017	Mateko	D8/331
D780,562 S *	3/2017	Baiz	D8/387
D786,056 S *	5/2017	Baiz	D8/387
D811,951 S *	3/2018	Mateko	D12/162
D811,952 S *	3/2018	Mateko	D12/162
2017/0120975 A1 *	5/2017	Kuchler	B62H 5/00

OTHER PUBLICATIONS

Amazon website, 7/8"x3" Revolver Locking Pin Monster Hooks/Road Armor, Earliest comment date Oct. 26, 2018, Available on the Internet URL <https://www.amazon.com/Revolver-Locking-Monster-Hooks-Armor/dp/B07D3WJDRY>.*

Infinite Rule Security, 2 Pack Keyed Alike (2) 7/8x3 Revolver Lock Pin, Publication date unknown, Site visited Dec. 9, 2018, Available on the Internet URL <https://infiniterule.com/collections/hot-items/products/61524>.*

* cited by examiner

Primary Examiner — Karen S Acker

Assistant Examiner — Steven B Reinholdt, Jr.

(74) *Attorney, Agent, or Firm* — Lyon & Harr, LLP; Richard T. Lyon

(57) **CLAIM**

The ornamental design for a split security bolt with locking pin combination, as shown and described.

DESCRIPTION

FIG. 1 is a front elevation view of a split security bolt with locking pin combination showing my new design including a symbolic break along the length of the article;

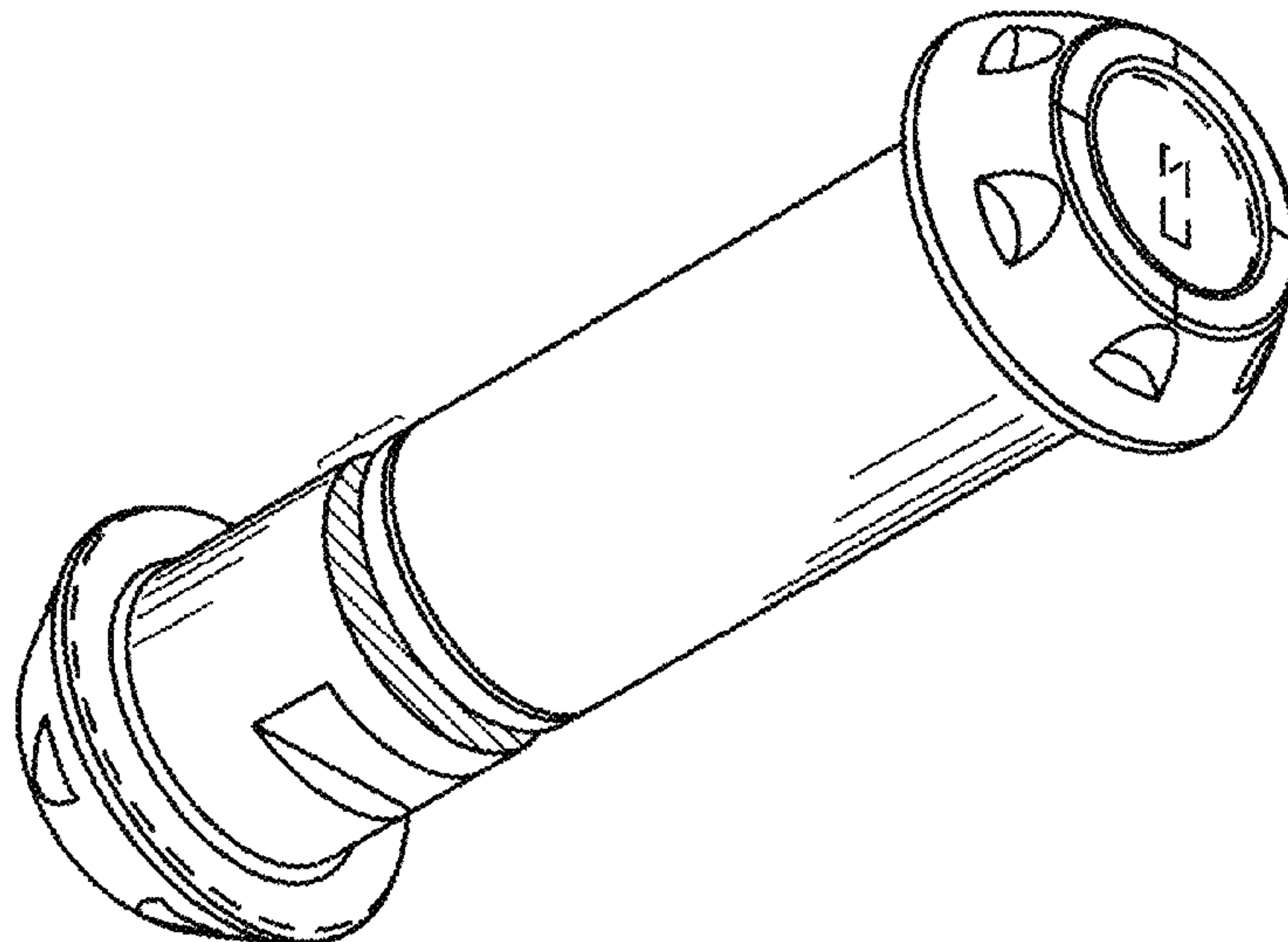
FIG. 2 is a top view of FIG. 1; and

FIG. 3 is a bottom view of FIG. 1; and,

FIG. 4 is a perspective view of FIG. 1 including a symbolic break along the length of the article.

The break lines and the space between them in FIGS. 1 and 4 along the article form no part of the claimed design. The broken lines and the areas within them depict portions of the split security bolt with locking pin combination that form no part of the claim.

1 Claim, 2 Drawing Sheets



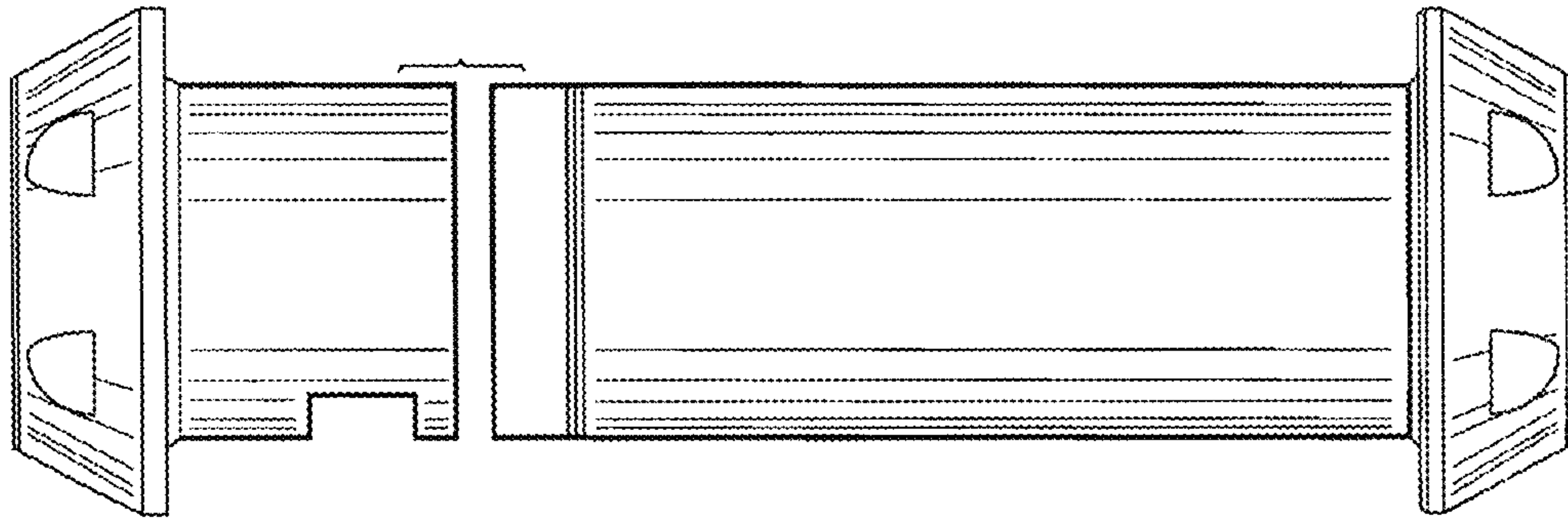


FIG. 1

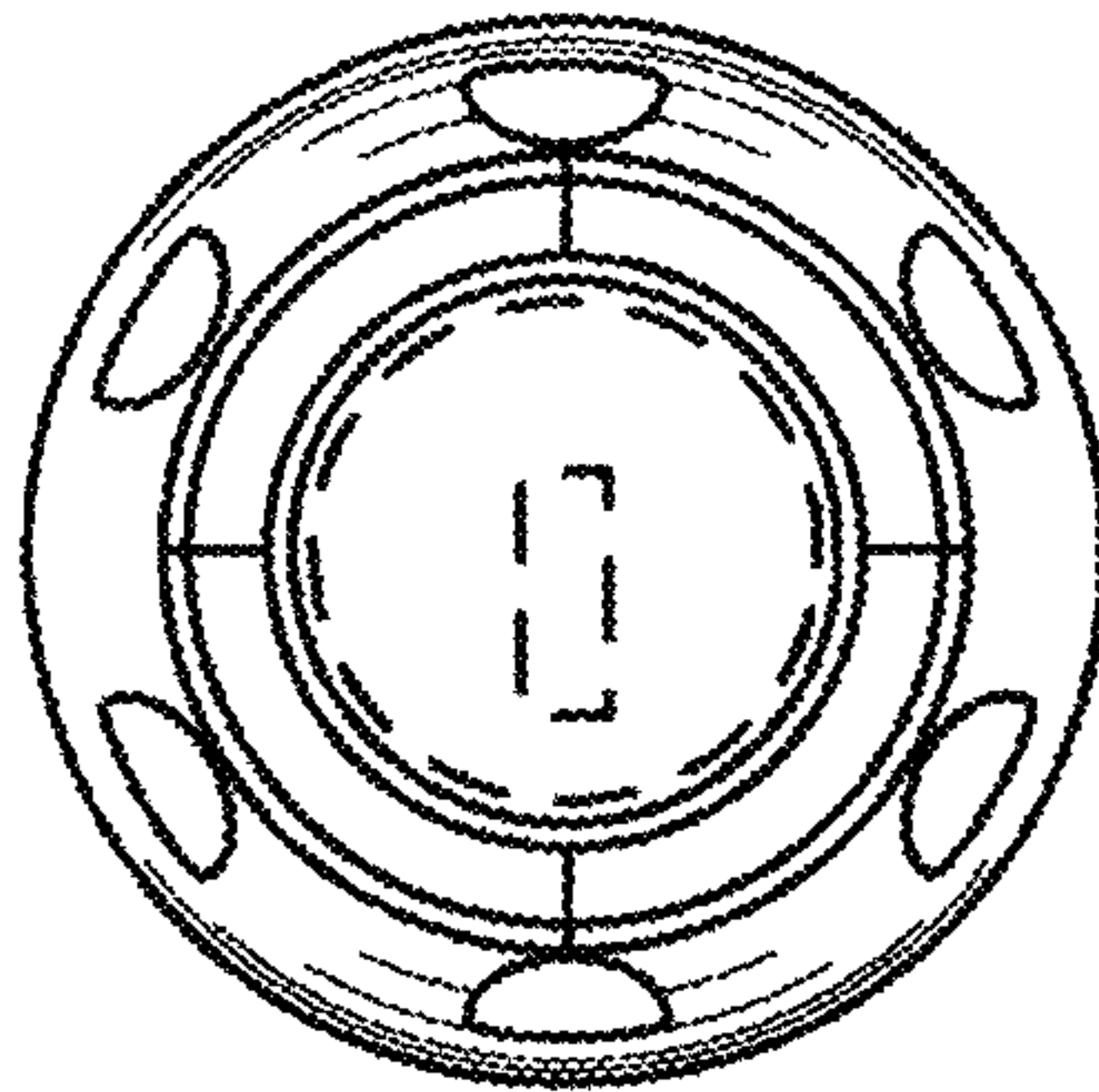


FIG. 2

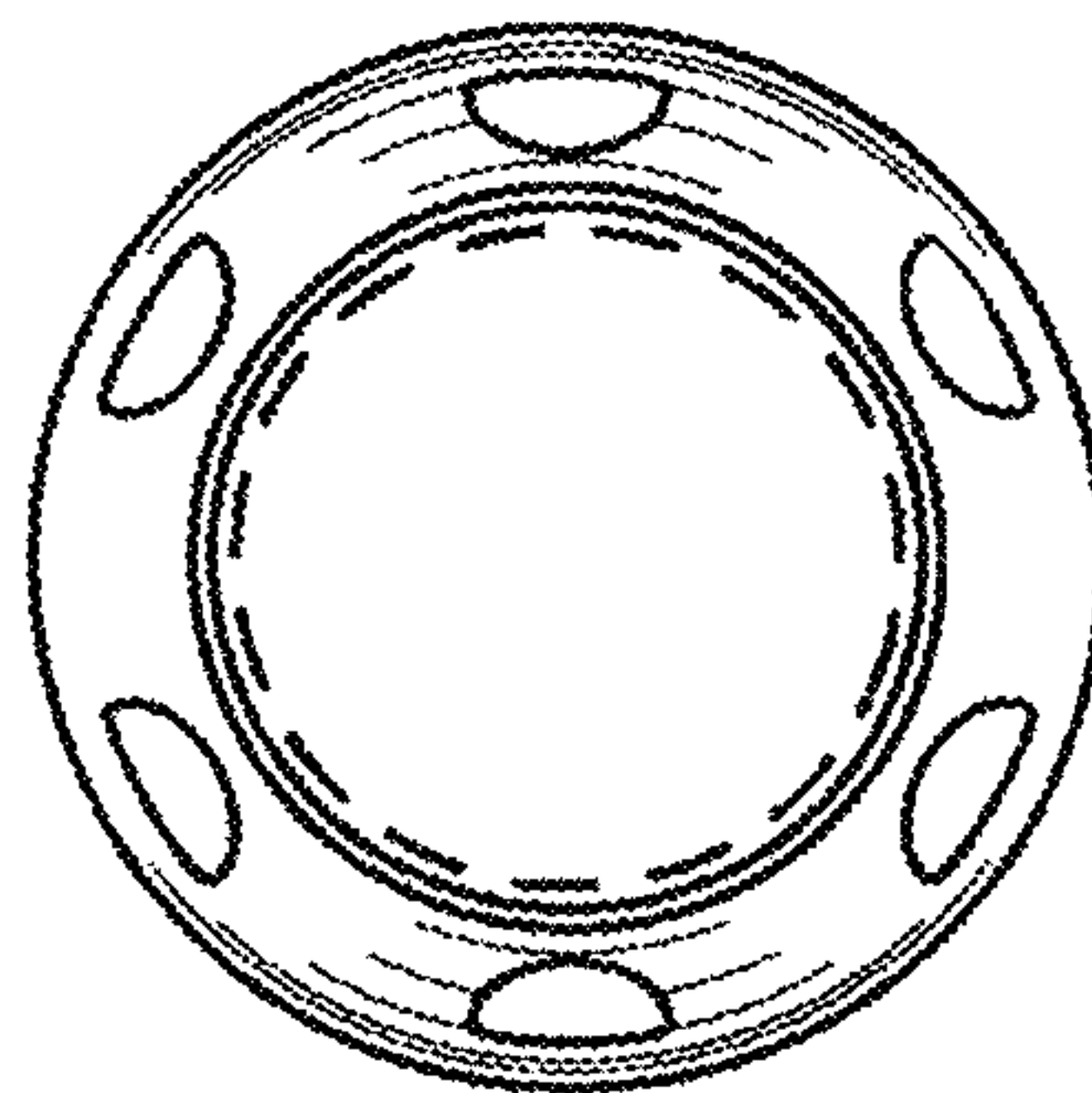


FIG. 3

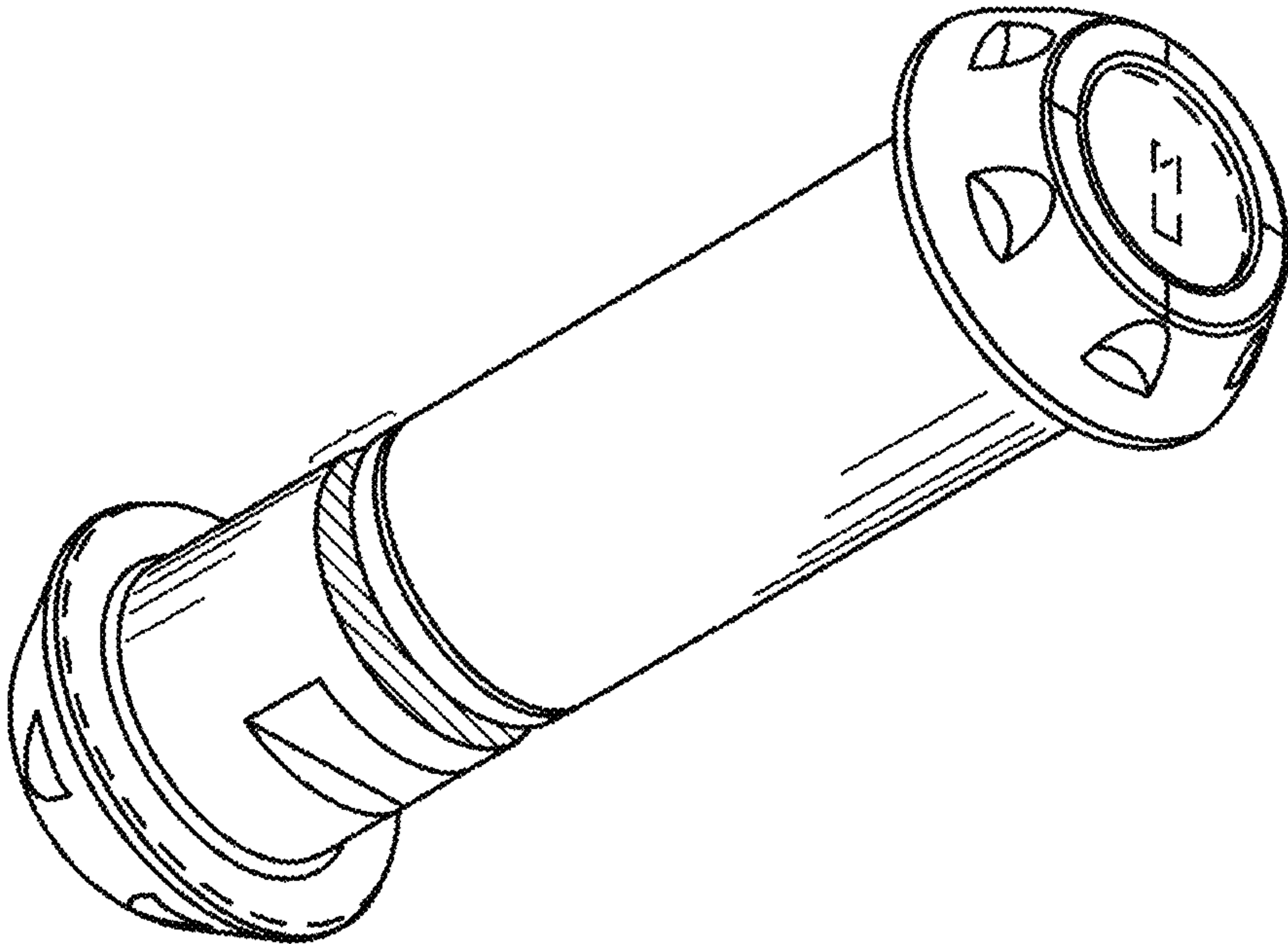


FIG. 4