



US00D857140S

(12) **United States Design Patent** (10) **Patent No.:** **US D857,140 S**  
**Girlya et al.** (45) **Date of Patent:** **\*\* Aug. 20, 2019**

- (54) **AMUSEMENT RIDE** D366,923 S \* 2/1996 Boifava ..... D21/833  
5,947,502 A \* 9/1999 Kammerzell ..... E04H 3/28  
108/143
- (71) Applicant: **Diggerland USA, LLC**, West Berlin, NJ (US) D430,256 S \* 8/2000 Addleman ..... D21/833  
D443,330 S \* 6/2001 Sartori ..... D21/833
- (72) Inventors: **Ilya Girlya**, West Berlin, NJ (US); **Yan Girlya**, West Berlin, NJ (US) 8,241,133 B1 \* 8/2012 Lewis ..... A63G 31/16  
104/53  
8,506,301 B2 \* 8/2013 Jaszlics ..... G09B 9/00  
434/29
- (73) Assignee: **Diggerland USA, LLC**, West Berlin, NJ (US) 8,678,941 B2 \* 3/2014 Bilsen ..... B60P 3/0252  
446/427
- (\*\*) Term: **15 Years** 10,151,927 B2 \* 12/2018 Magpuri ..... A63G 31/16  
10,166,485 B2 \* 1/2019 Girlya ..... A63G 31/14  
2010/0123330 A1 \* 5/2010 Watts ..... B60P 1/435  
296/61
- (21) Appl. No.: **29/629,763**
- (22) Filed: **Dec. 15, 2017**

\* cited by examiner

*Primary Examiner* — Mitchell I. Siegel

(74) *Attorney, Agent, or Firm* — Derek Pressley

**Related U.S. Application Data**

- (63) Continuation of application No. 15/391,880, filed on Dec. 28, 2016, now Pat. No. 10,166,485.
- (51) **LOC (12) Cl.** ..... **21-03**
- (52) **U.S. Cl.**  
USPC ..... **D21/833**
- (58) **Field of Classification Search**  
USPC ..... D21/811, 814, 828–833  
CPC . A63G 1/00; A63G 1/30; A63G 31/00; A63G 31/02; A63G 31/16; F23L 1/00; F23L 17/02; B06J 7/00  
See application file for complete search history.

(57) **CLAIM**

The ornamental design for an amusement ride, as shown and described.

**DESCRIPTION**

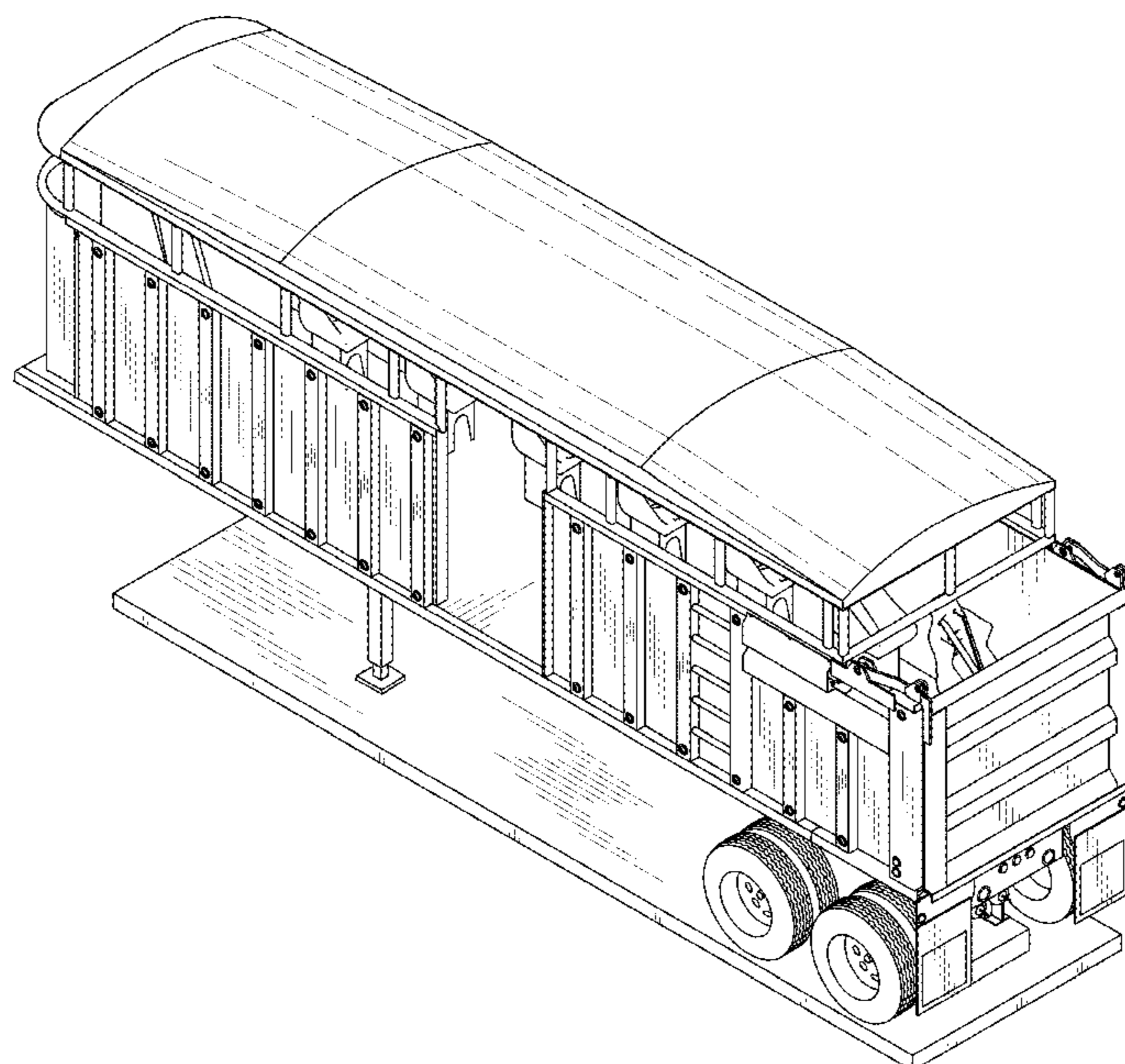
FIG. 1 is a perspective view of an amusement ride showing our new design;  
 FIG. 2 is a perspective view of the amusement ride shown in FIG. 1 when in a tilted position;  
 FIG. 3 is a left side elevational view of FIG. 1;  
 FIG. 4 is a right side elevational view of FIG. 1;  
 FIG. 5 is front elevational view of FIG. 1;  
 FIG. 6 is a rear elevational view of FIG. 1;  
 FIG. 7 is a top plan view of FIG. 1 with the ride's canopy removed to show interior detail; and,  
 FIG. 8 is a perspective view showing the underside of FIG. 1.

(56) **References Cited**

**U.S. PATENT DOCUMENTS**

- D260,112 S \* 8/1981 Ament ..... D12/38
- 5,316,480 A \* 5/1994 Ellsworth ..... A63G 31/16  
434/29
- D348,299 S \* 6/1994 Mirabella ..... D12/40
- D361,817 S \* 8/1995 Boifava ..... D21/833

**1 Claim, 7 Drawing Sheets**



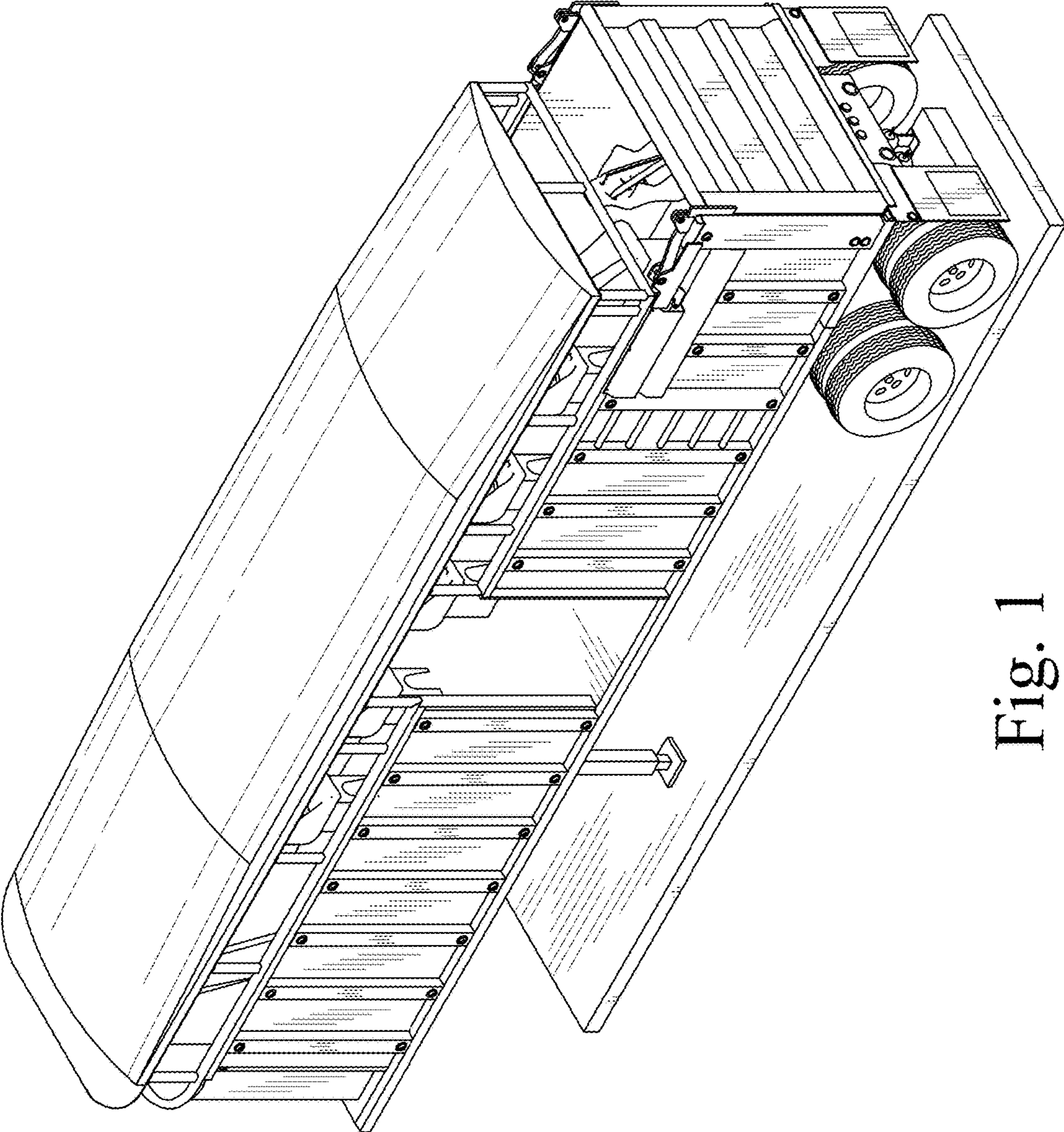


Fig. 1



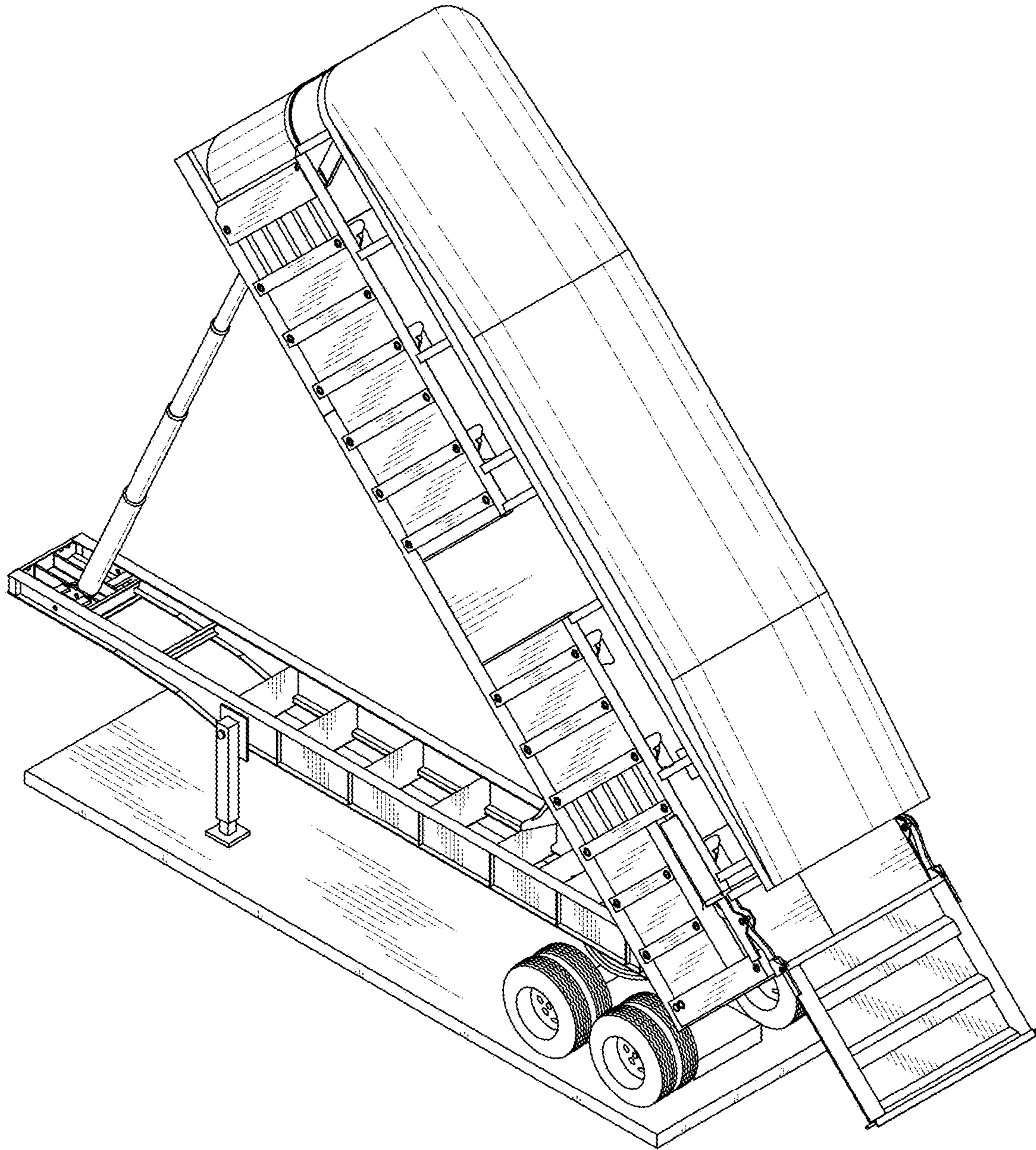


Fig. 2

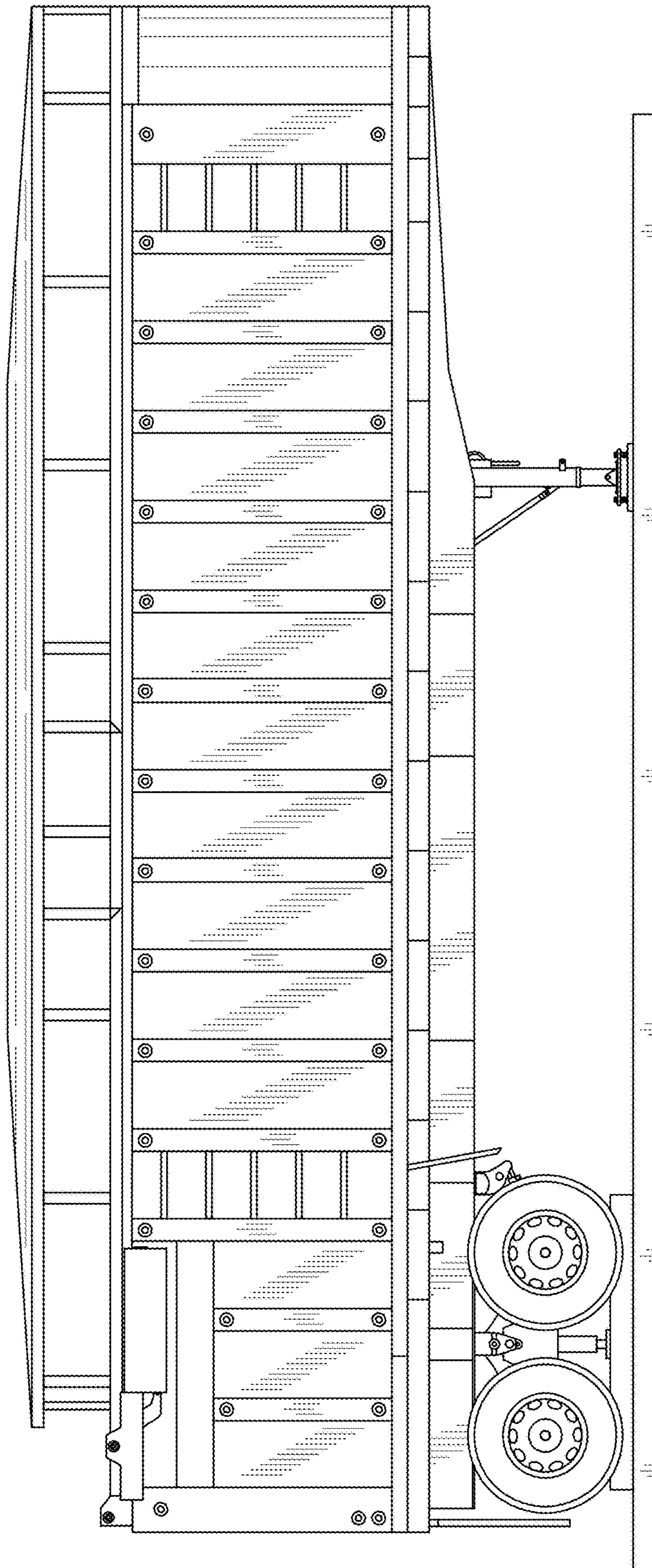


Fig. 3



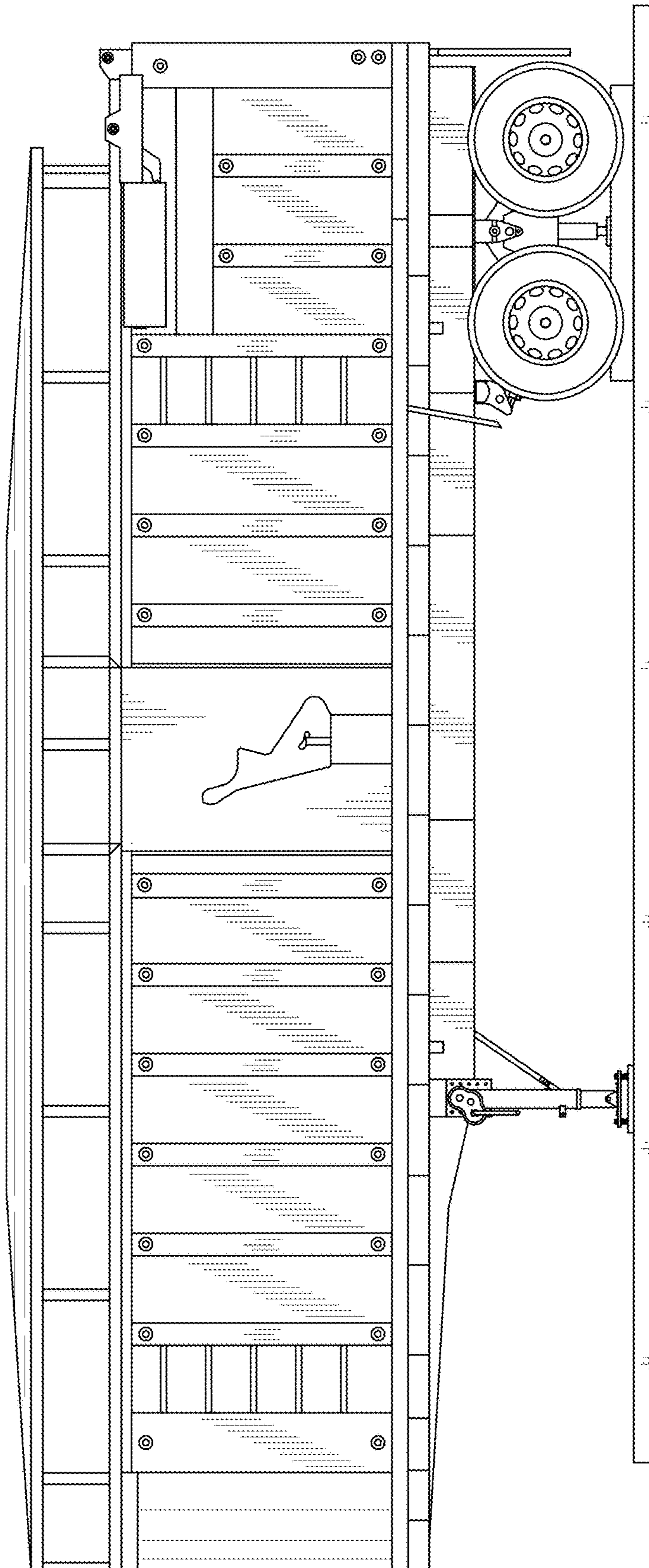


Fig. 4

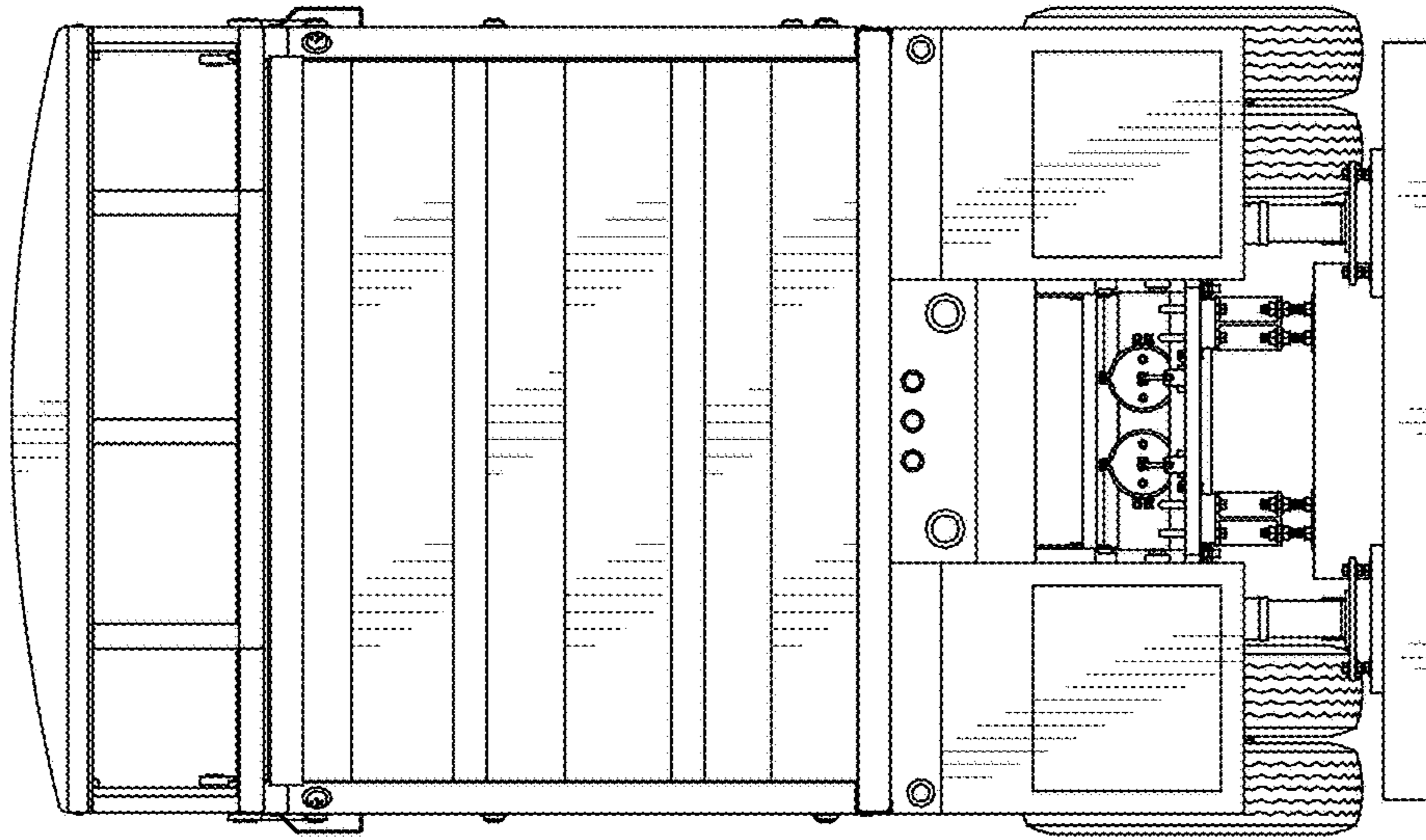


Fig. 6

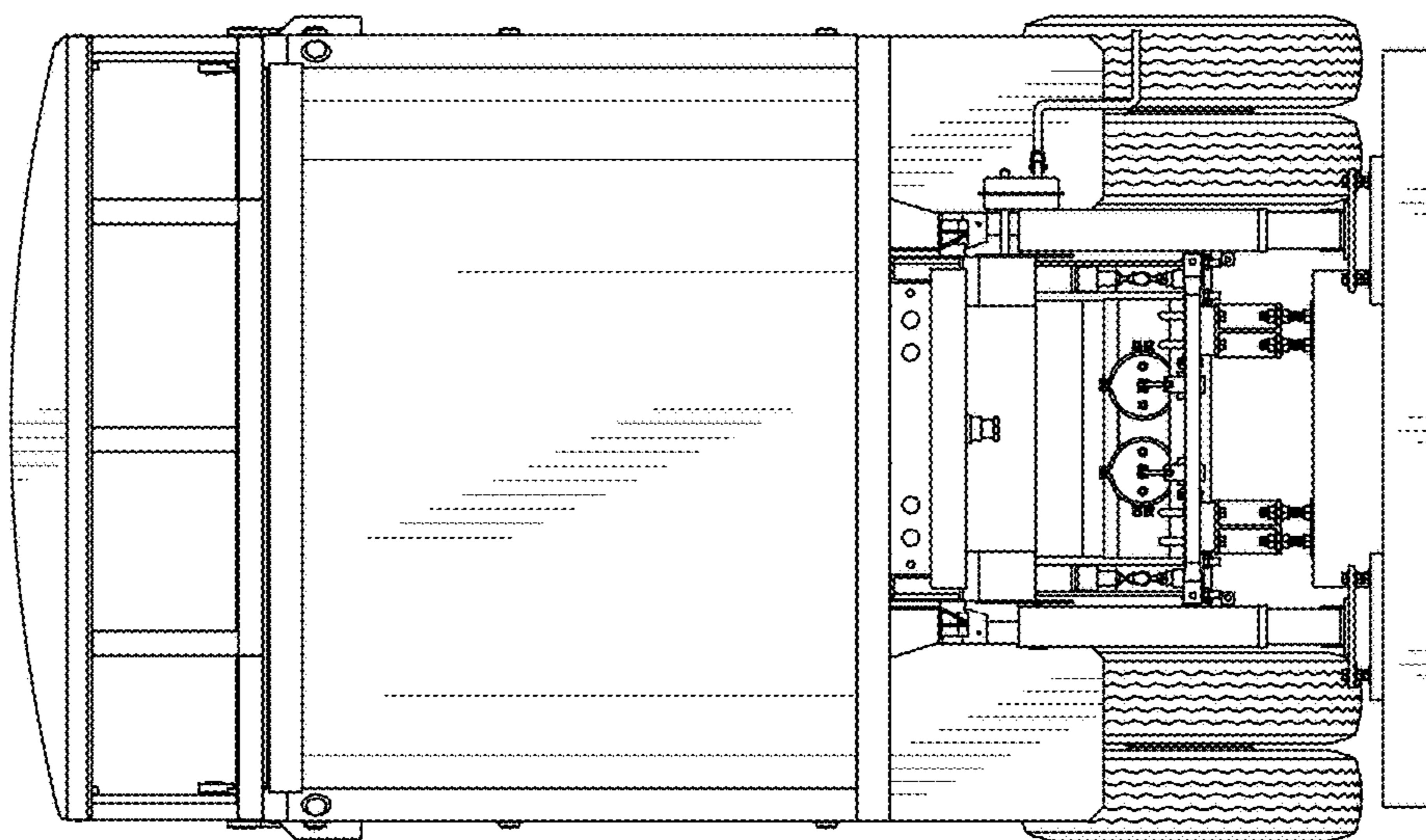


Fig. 5

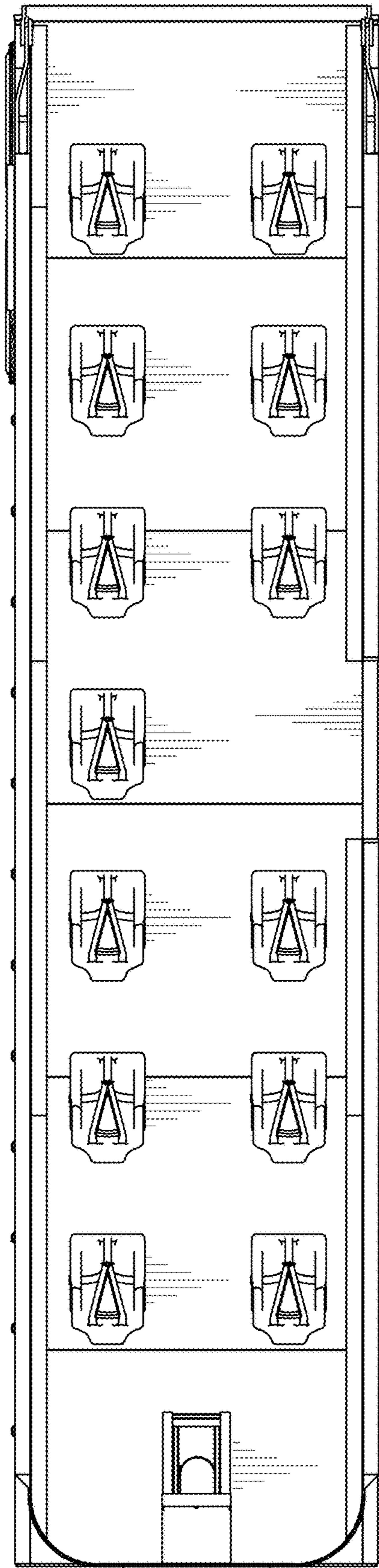


Fig. 7



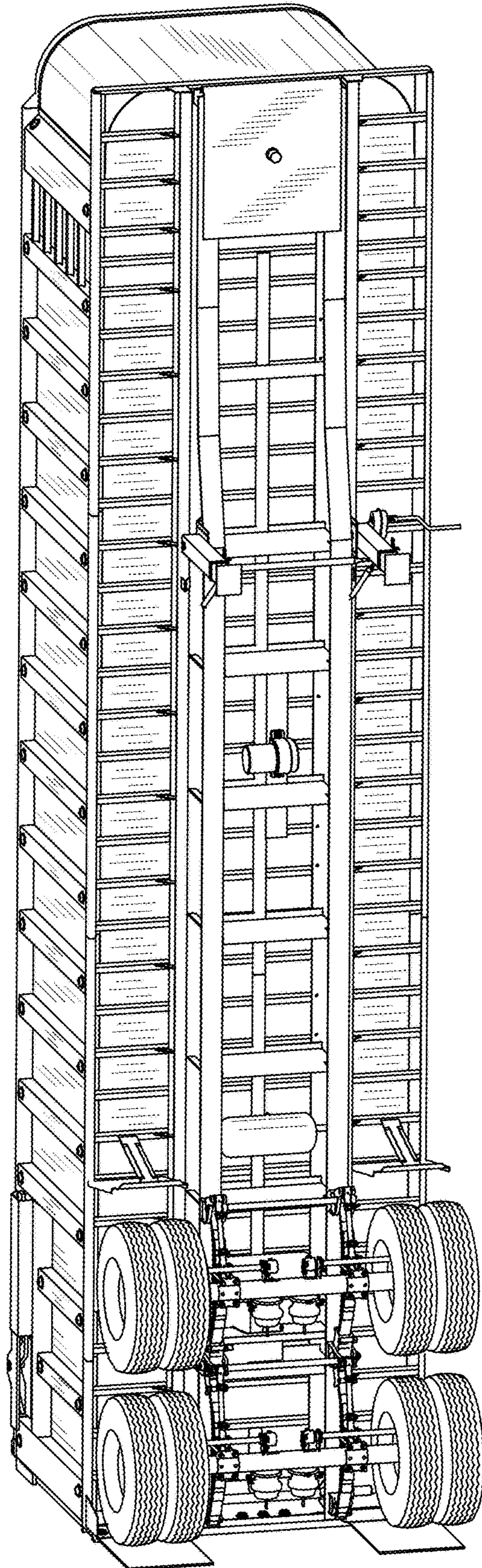


Fig. 8