



US00D857138S

(12) **United States Design Patent** (10) **Patent No.:** **US D857,138 S**  
**Slyder** (45) **Date of Patent:** **\*\* Aug. 20, 2019**

(54) **GOLF CLUB HOLDER**

(71) Applicant: **Dave Slyder**, Greenville, SC (US)

(72) Inventor: **Dave Slyder**, Greenville, SC (US)

(\*\*) Term: **15 Years**

(21) Appl. No.: **29/643,975**

(22) Filed: **Apr. 13, 2018**

(51) **LOC (12) Cl.** ..... **21-02**

(52) **U.S. Cl.**  
USPC ..... **D21/796**

(58) **Field of Classification Search**  
USPC ..... D21/789, 796; D6/552  
CPC ..... A63B 55/00; A63B 55/10; A63B 55/50;  
A63B 55/57; A45F 3/44; E04H 12/2215  
See application file for complete search history.

(56) **References Cited**

**U.S. PATENT DOCUMENTS**

D318,090	S	*	7/1991	Bahns	.....	D21/796
5,149,087	A	*	9/1992	Thompson, Jr.	.....	A63B 55/10 172/438
D360,248	S	*	7/1995	Wright	.....	D21/796
D360,451	S	*	7/1995	Levocz	.....	D21/796
5,437,449	A		8/1995	Creech		
5,636,754	A	*	6/1997	Ennis	.....	A63B 55/10 211/70.2
D401,295	S	*	11/1998	Young	.....	D21/796
5,873,471	A	*	2/1999	Ruggeri	.....	A45F 3/44 211/70.2
D407,774	S	*	4/1999	Weiss	.....	D21/796
D493,860	S	*	8/2004	Fox	.....	D21/796
D517,150	S	*	3/2006	MacDowell	.....	D21/796
D520,098	S		5/2006	Lemoine		
D530,768	S	*	10/2006	Rood	.....	D21/796
D550,801	S		9/2007	Valiante		
7,452,284	B2	*	11/2008	Pepe	.....	A63B 55/10 473/282

(Continued)

*Primary Examiner* — Mitchell I. Siegel

(74) *Attorney, Agent, or Firm* — J. Bennett Mullinax, LLC

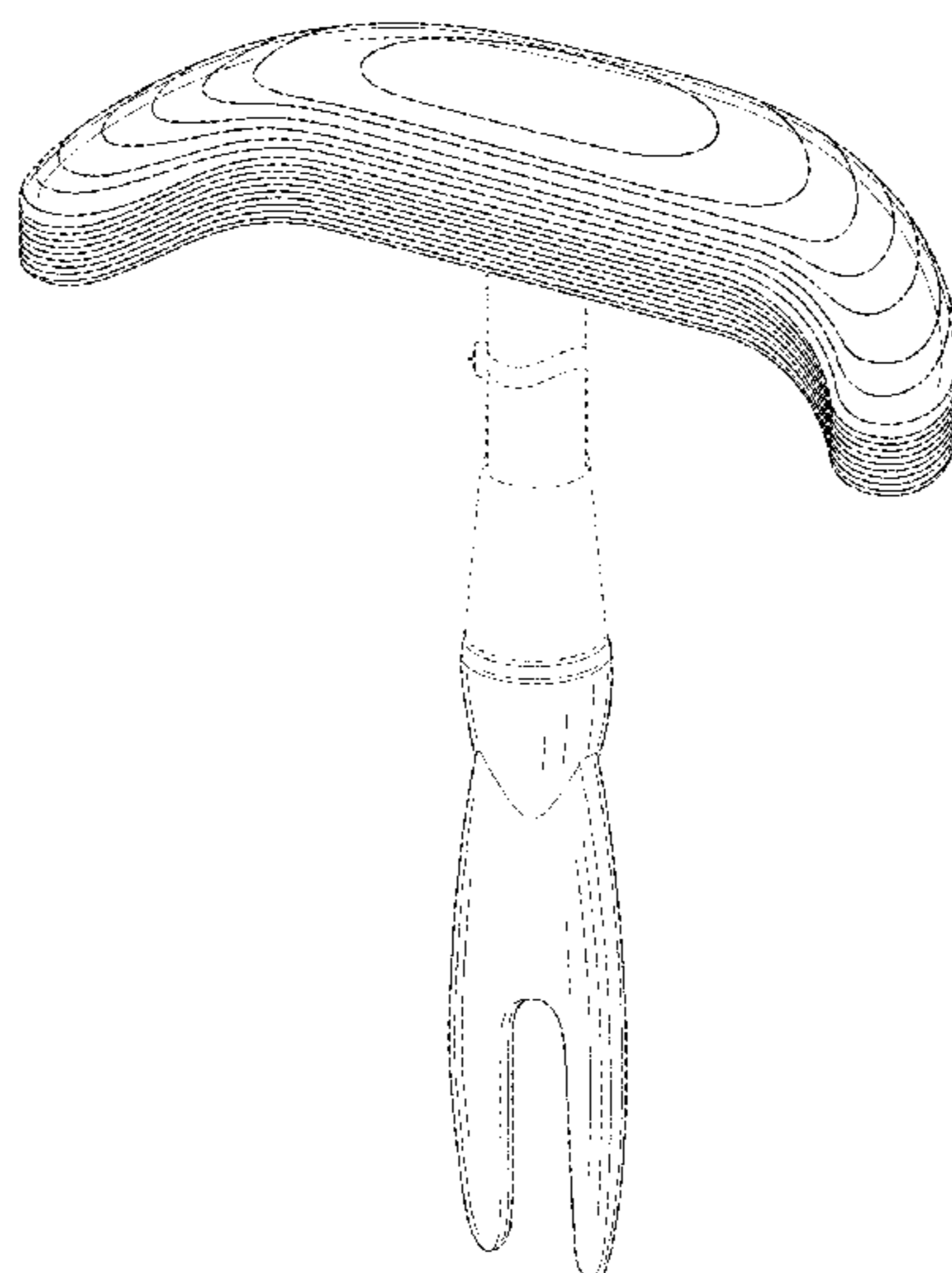
(57) **CLAIM**

The ornamental design for a golf club holder, as shown and described.

**DESCRIPTION**

FIG. 1 is a front perspective view of the golf club holder according to the present design;  
 FIG. 2 is a front view of the golf club holder as shown in FIG. 1;  
 FIG. 3 is a rear view of the golf club holder as shown in FIG. 1;  
 FIG. 4 is a left side view of the golf club holder as shown in FIG. 1;  
 FIG. 5 is a right side view of the golf club holder as shown in FIG. 1;  
 FIG. 6 is a top view of the golf club holder as shown in FIG. 1;  
 FIG. 7 is a bottom view of the golf club holder as shown in FIG. 1;  
 FIG. 8 is a front perspective view of the golf club holder according to the second embodiment of the present design;  
 FIG. 9 is a front view of the golf club holder as shown in FIG. 8;  
 FIG. 10 is a rear view of the golf club holder as shown in FIG. 8;  
 FIG. 11 is a left side view of the golf club holder as shown in FIG. 8;  
 FIG. 12 is a right side view of the golf club holder as shown in FIG. 8;  
 FIG. 13 is a top view of the golf club holder as shown in FIG. 8; and,  
 FIG. 14 is a bottom view of the golf club holder as shown in FIG. 8.  
 The broken line showing the shaft of the golf club holder is included for the purpose of illustrating unclaimed subject matter and forms no part of the claimed design.

**1 Claim, 12 Drawing Sheets**



(56)

**References Cited**

U.S. PATENT DOCUMENTS

D587,331 S \* 2/2009 Fair ..... D21/796  
7,677,989 B2 \* 3/2010 Fletcher ..... A63B 55/10  
473/282  
D653,298 S \* 1/2012 Werre ..... D21/796  
D695,865 S 12/2013 Swan  
D709,579 S 7/2014 Remington  
9,108,093 B2 \* 8/2015 Johnson ..... A63B 55/10  
D757,874 S 5/2016 Conrad  
D824,466 S \* 7/2018 Cline ..... D21/796  
D826,356 S \* 8/2018 Foppiano ..... D21/796

\* cited by examiner

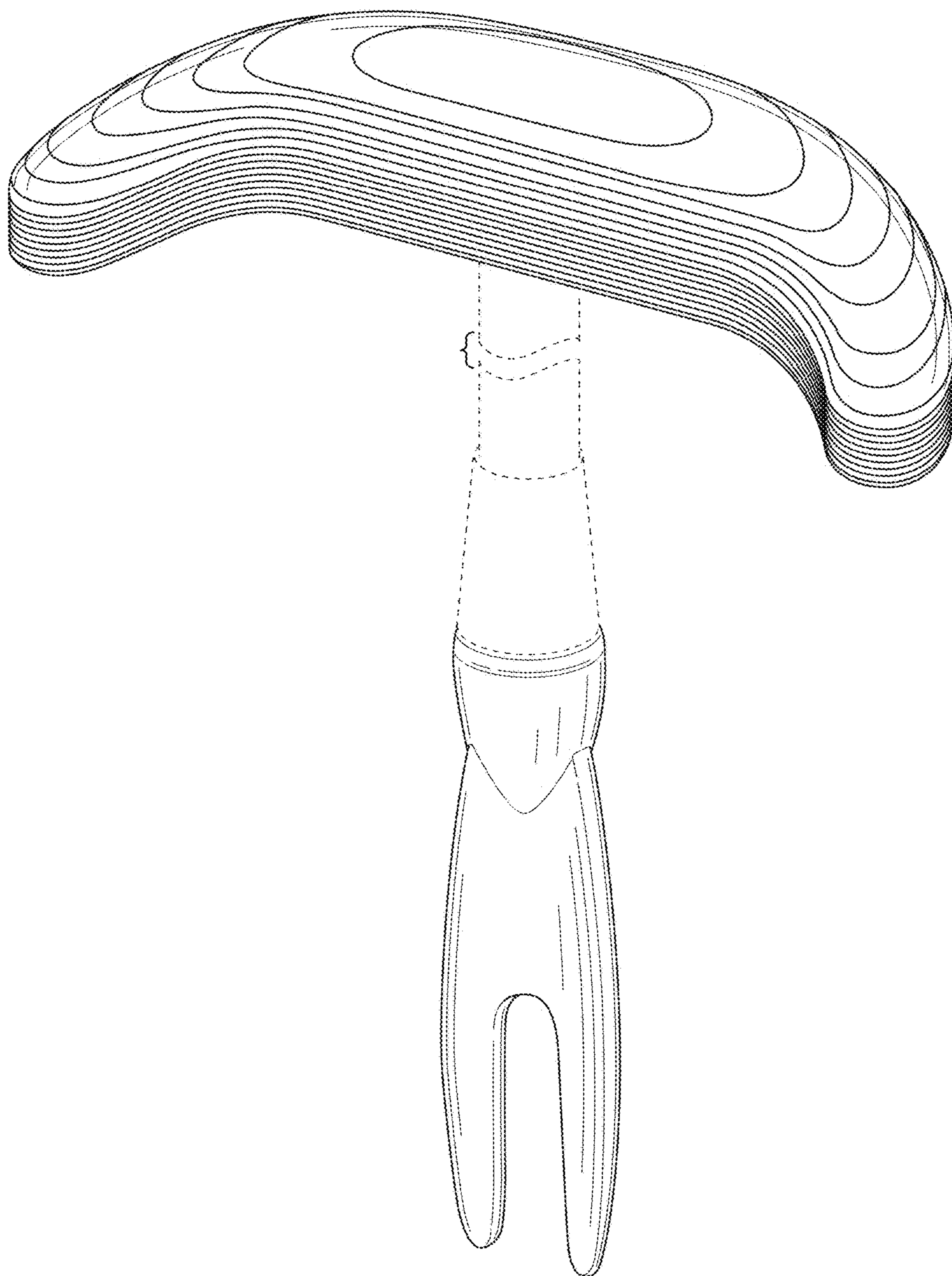


FIG. 1

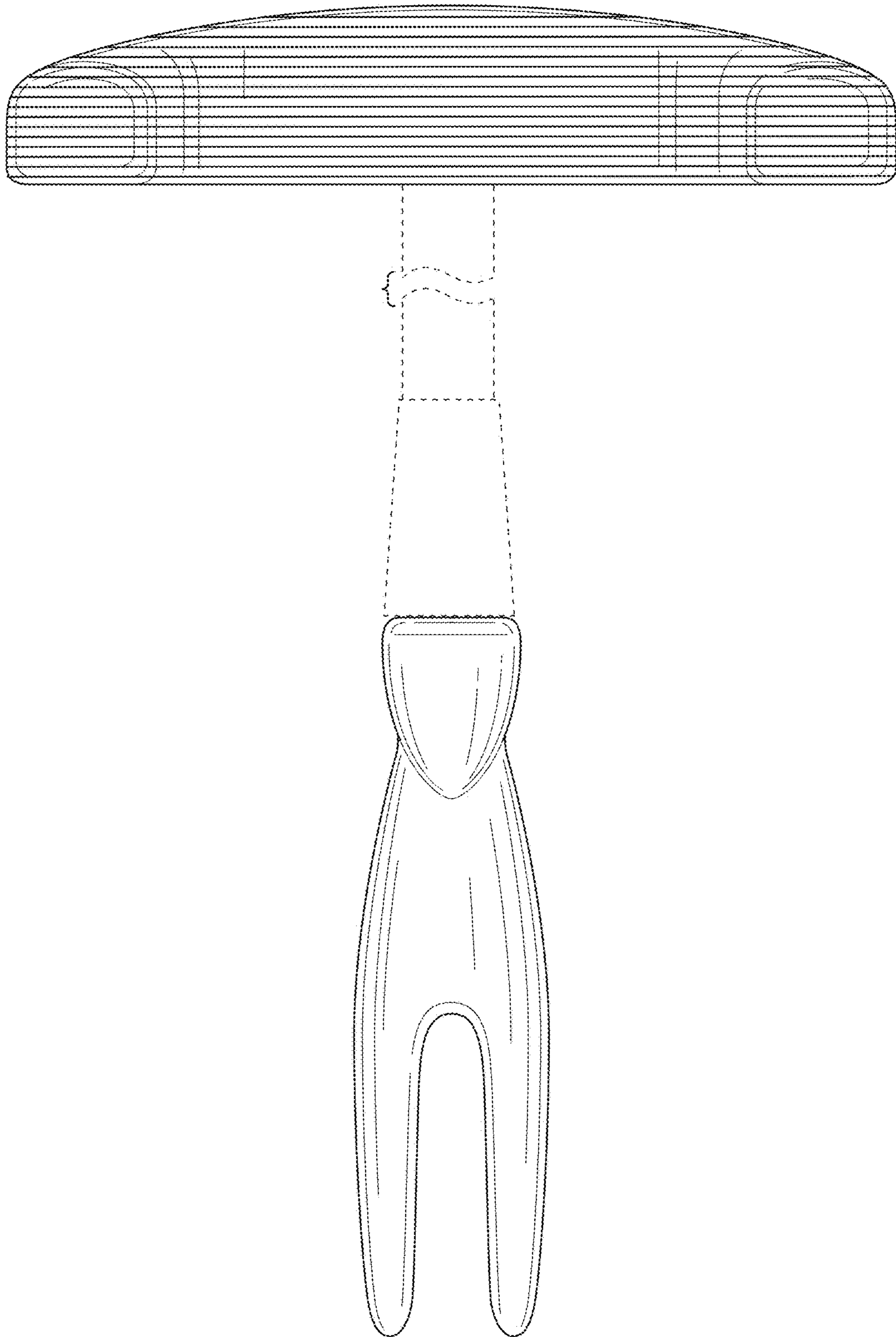


FIG. 2

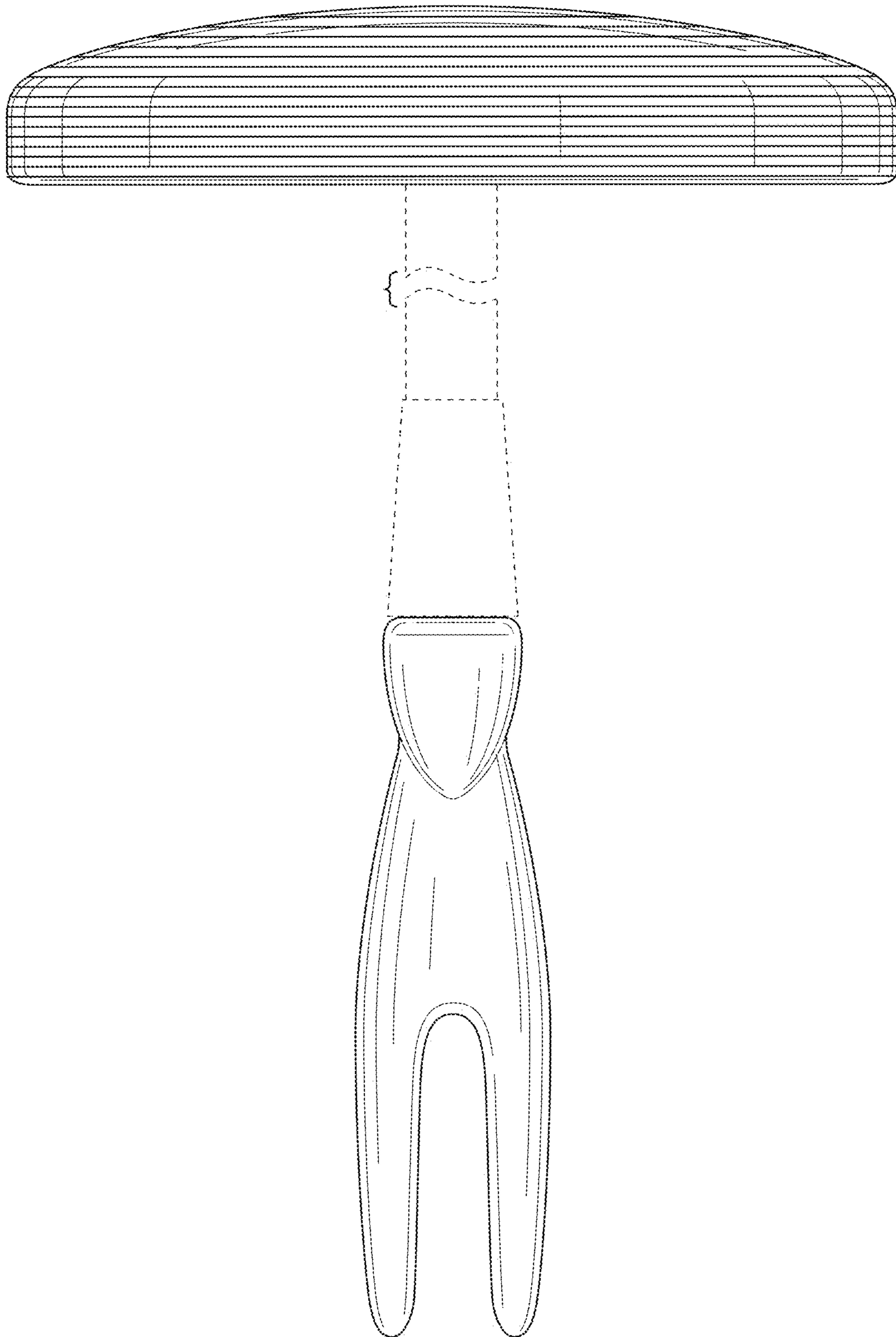


FIG. 3

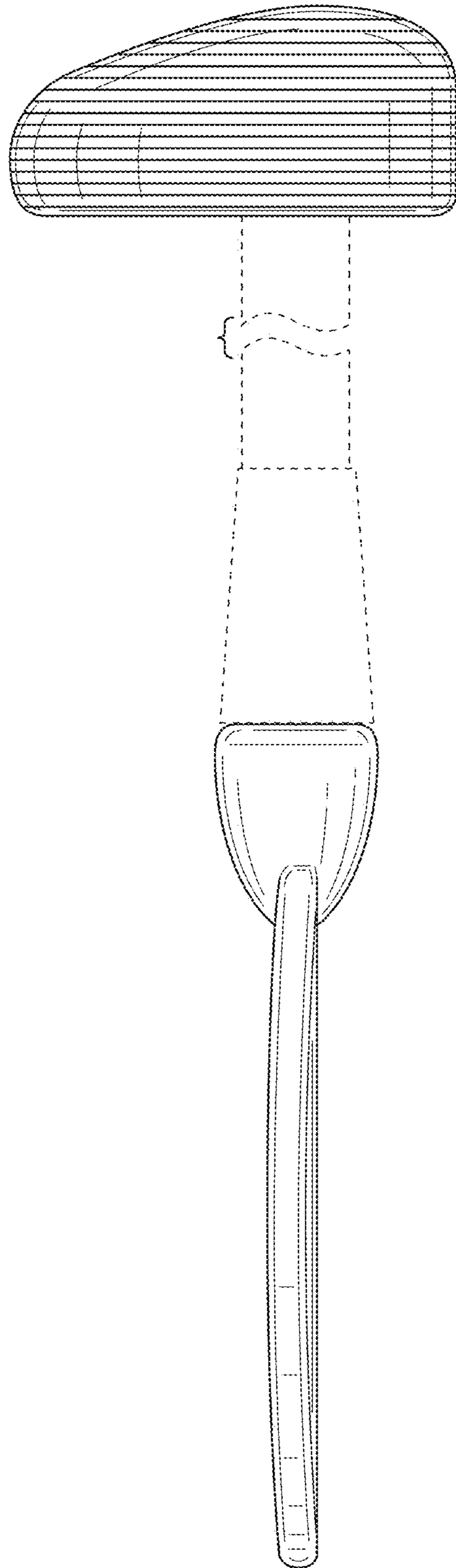


FIG. 4

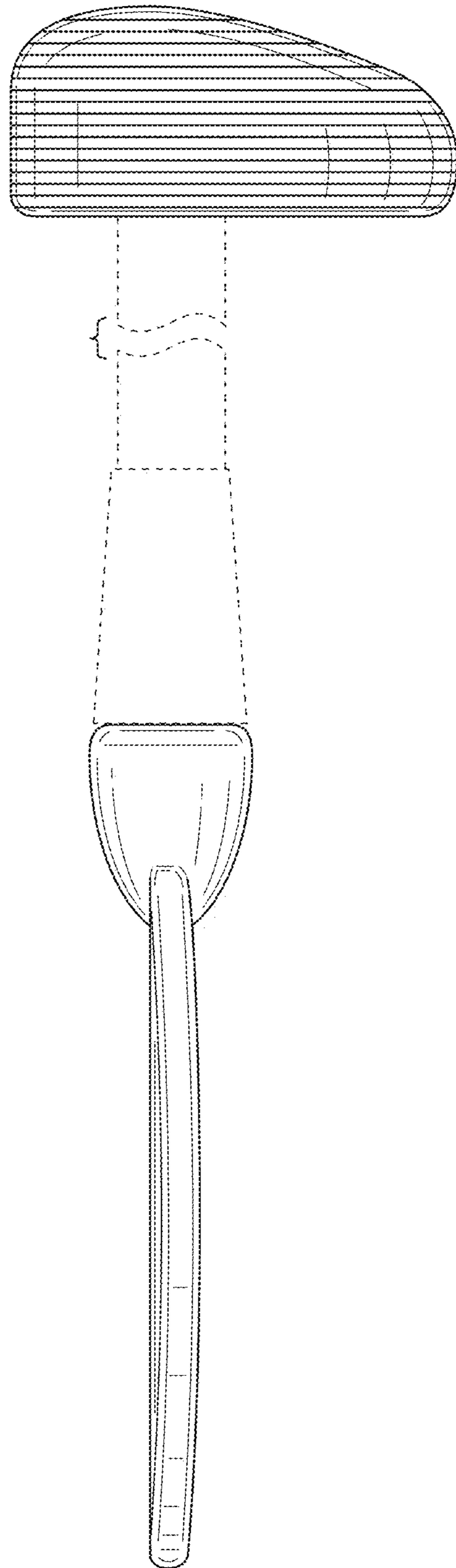


FIG. 5

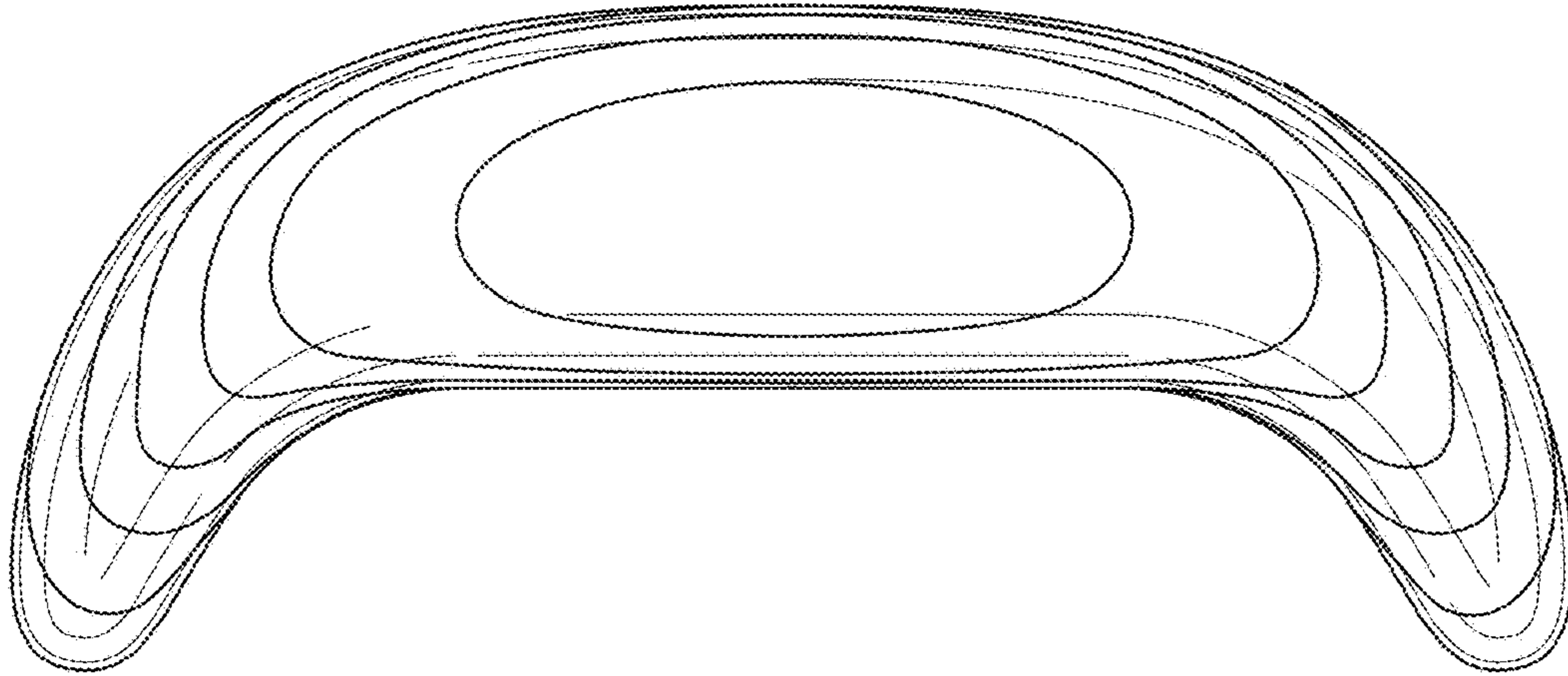


FIG. 6

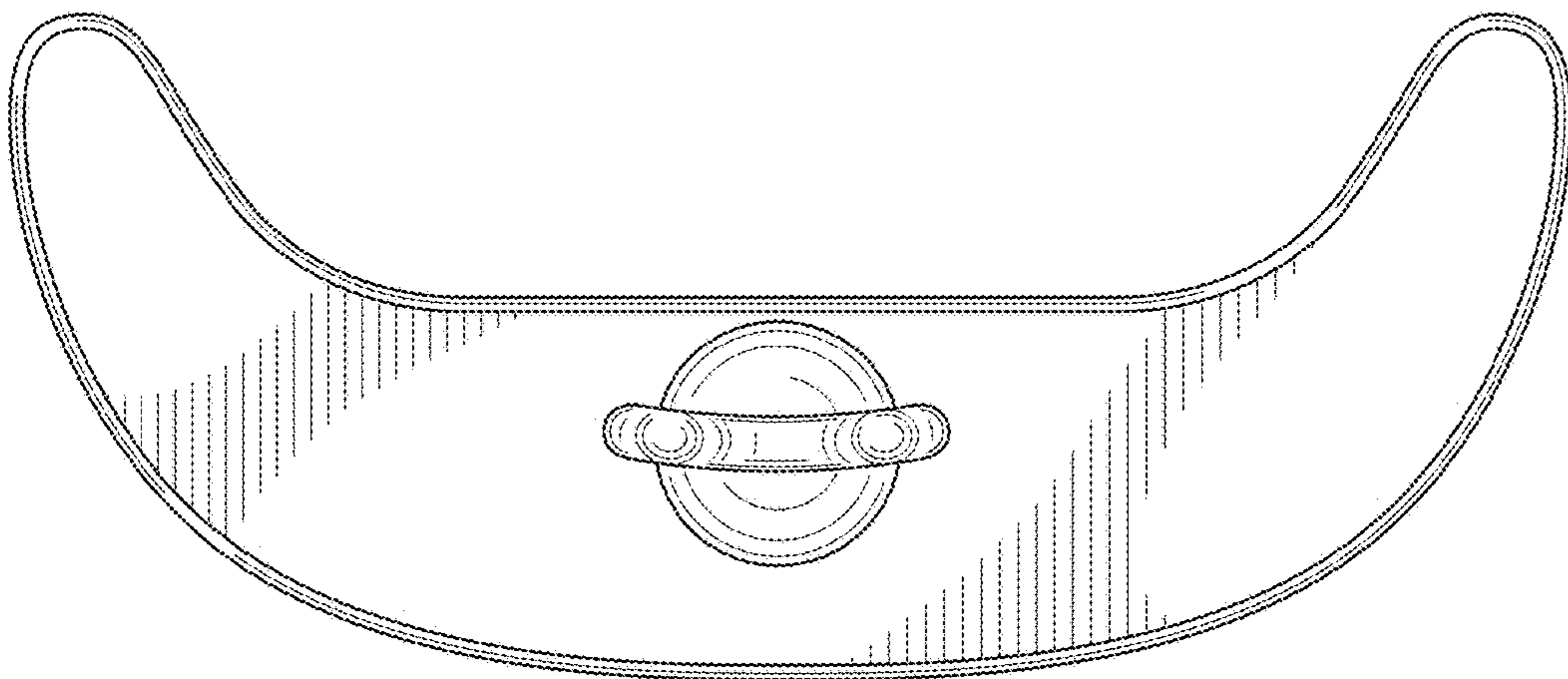


FIG. 7



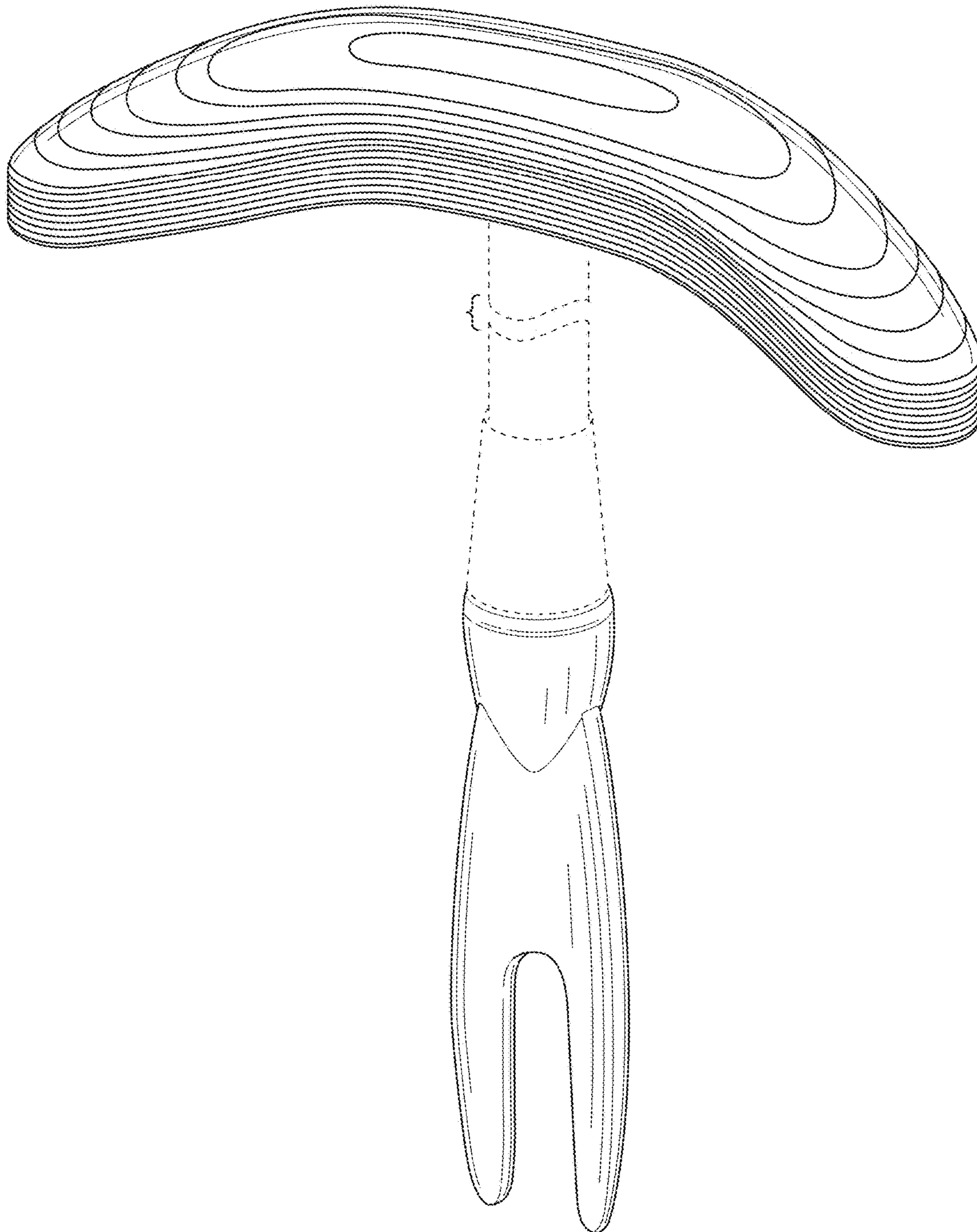


FIG. 8

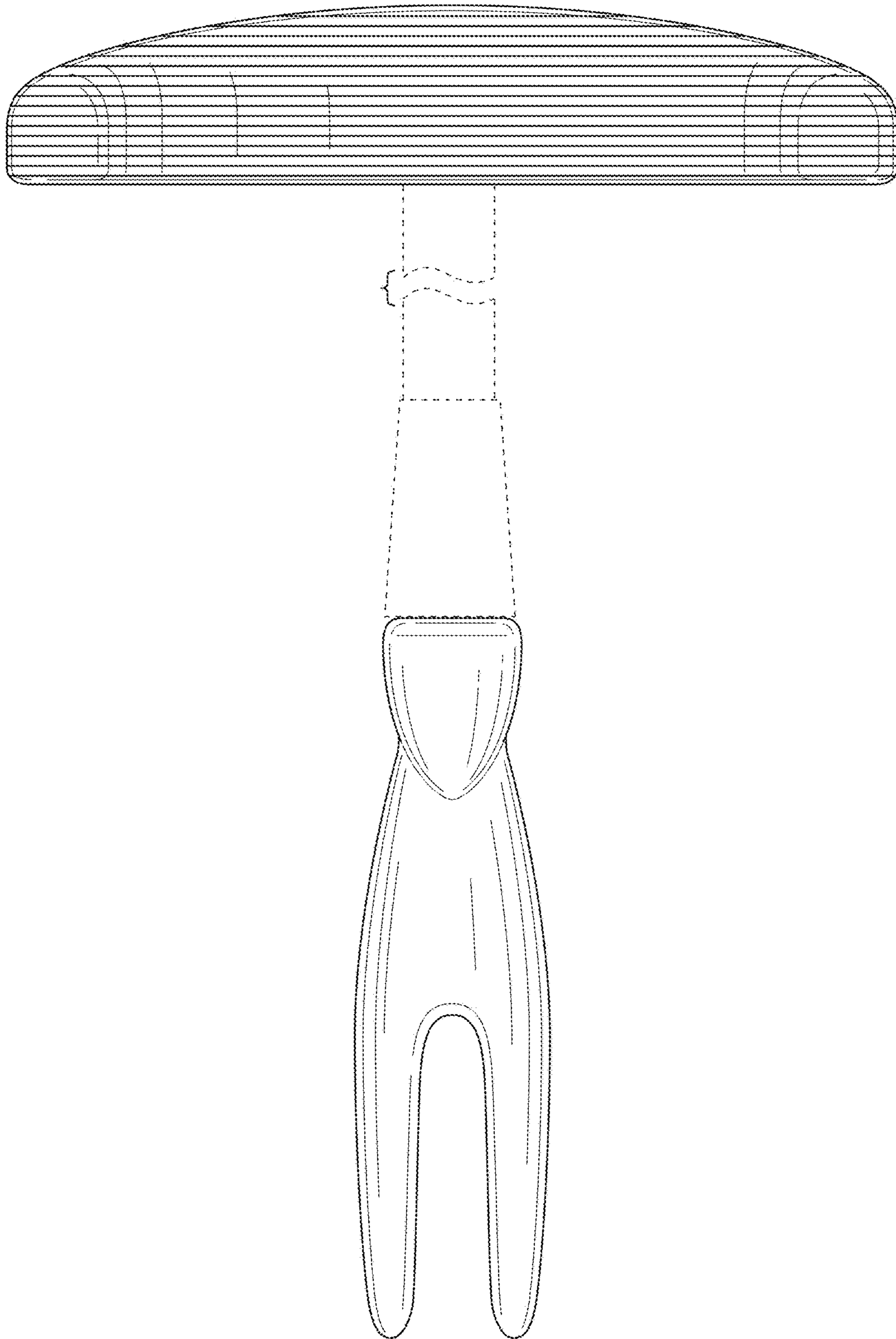


FIG. 9

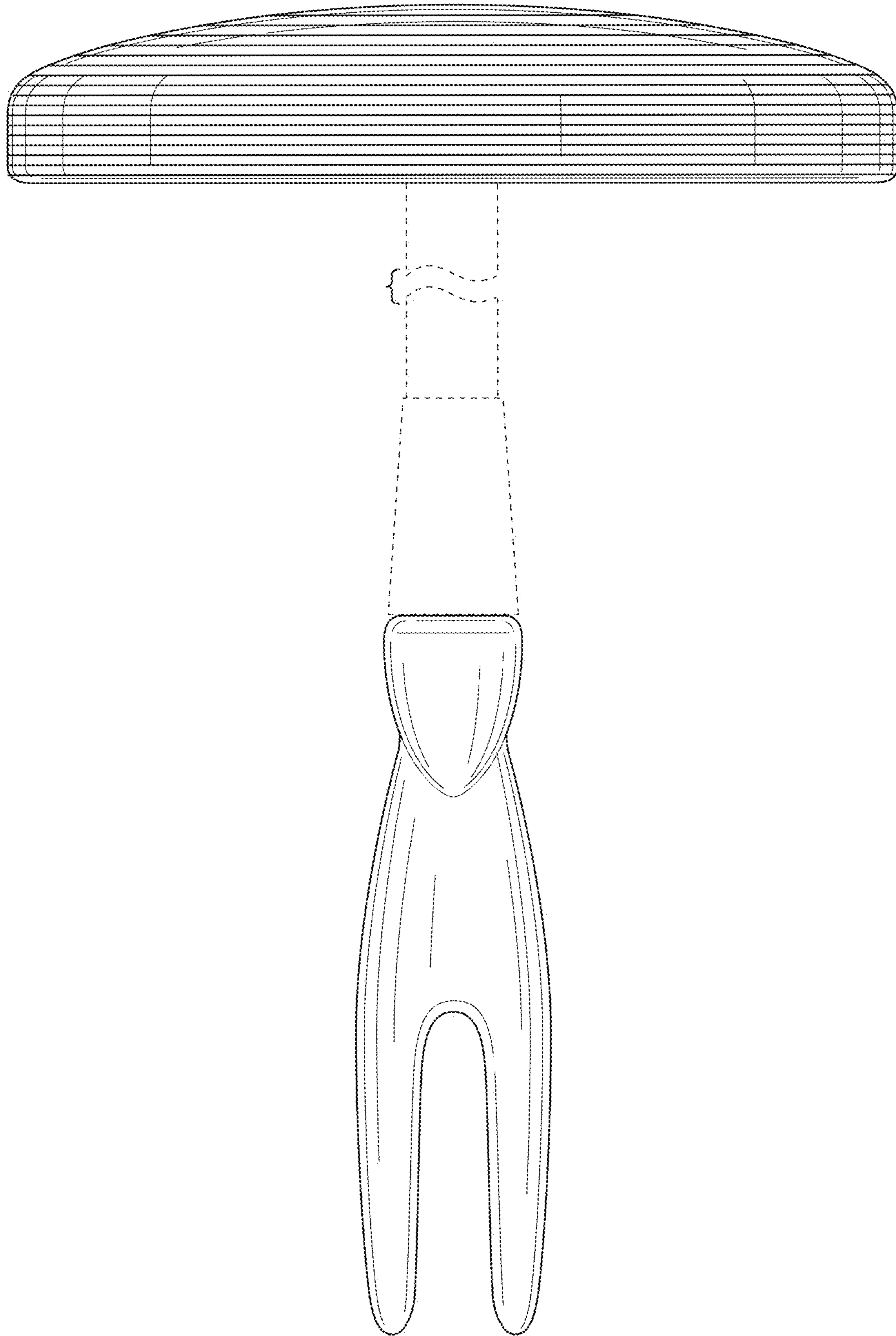


FIG. 10

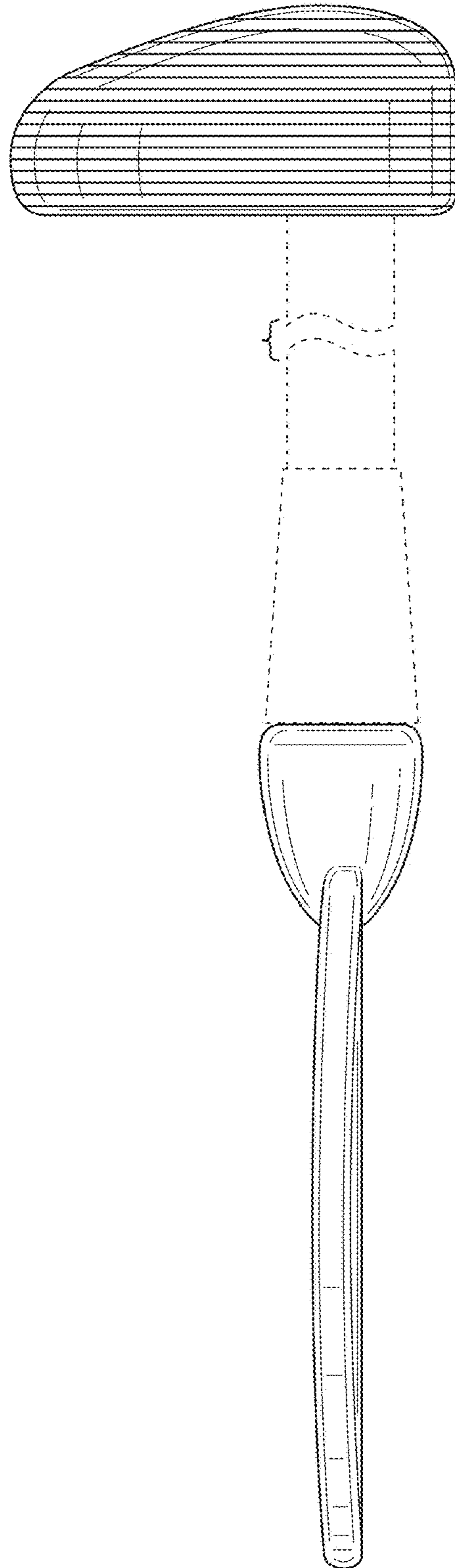


FIG. 11

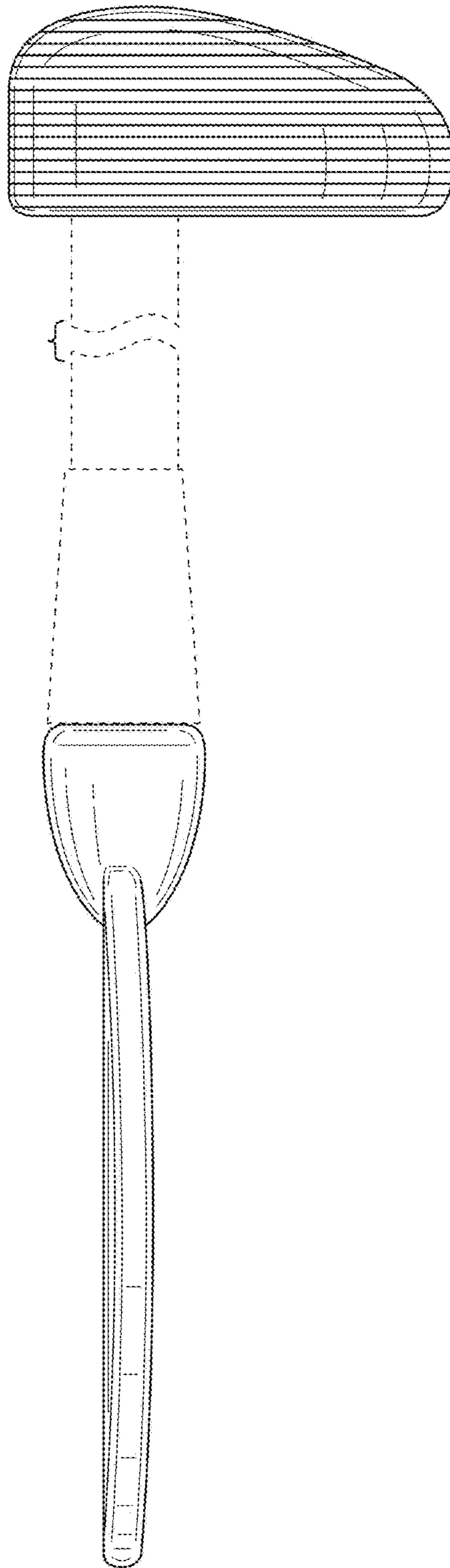


FIG. 12

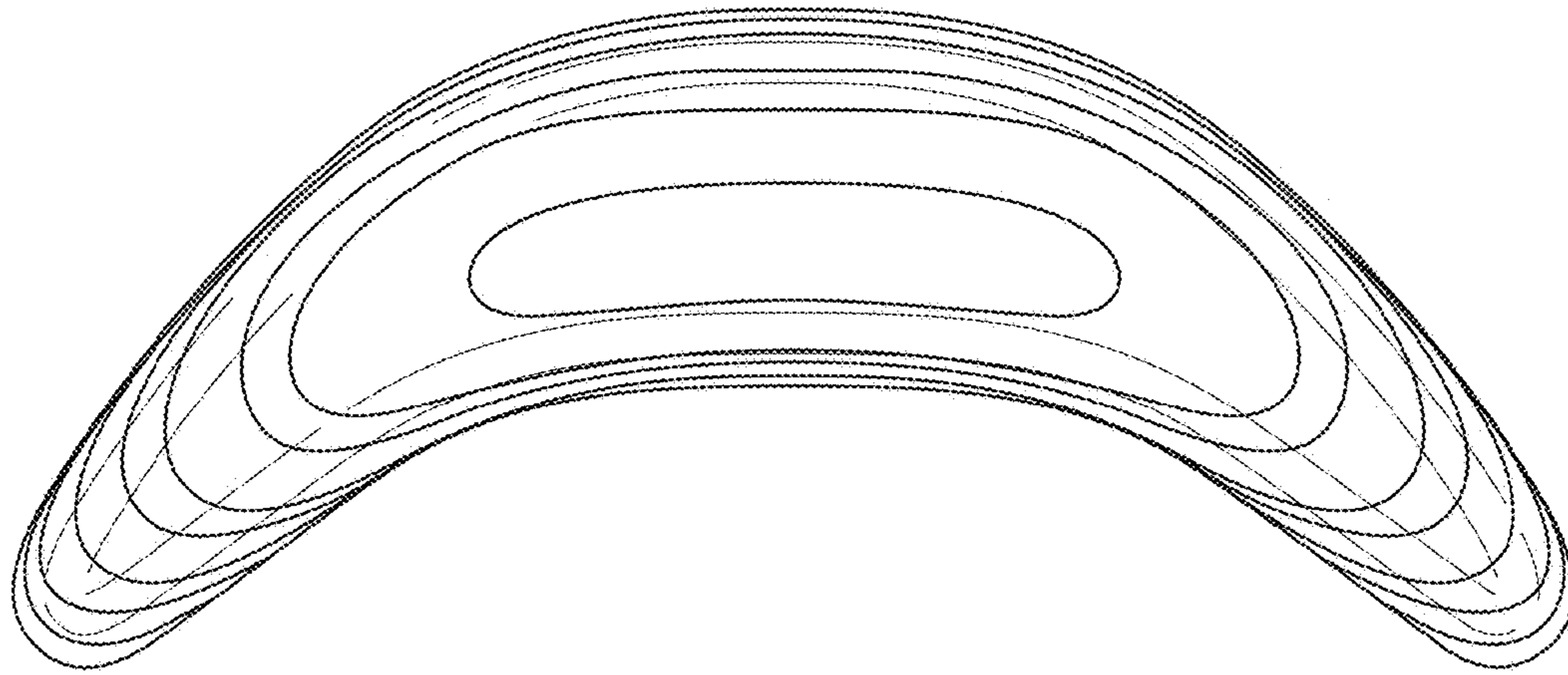


FIG. 13

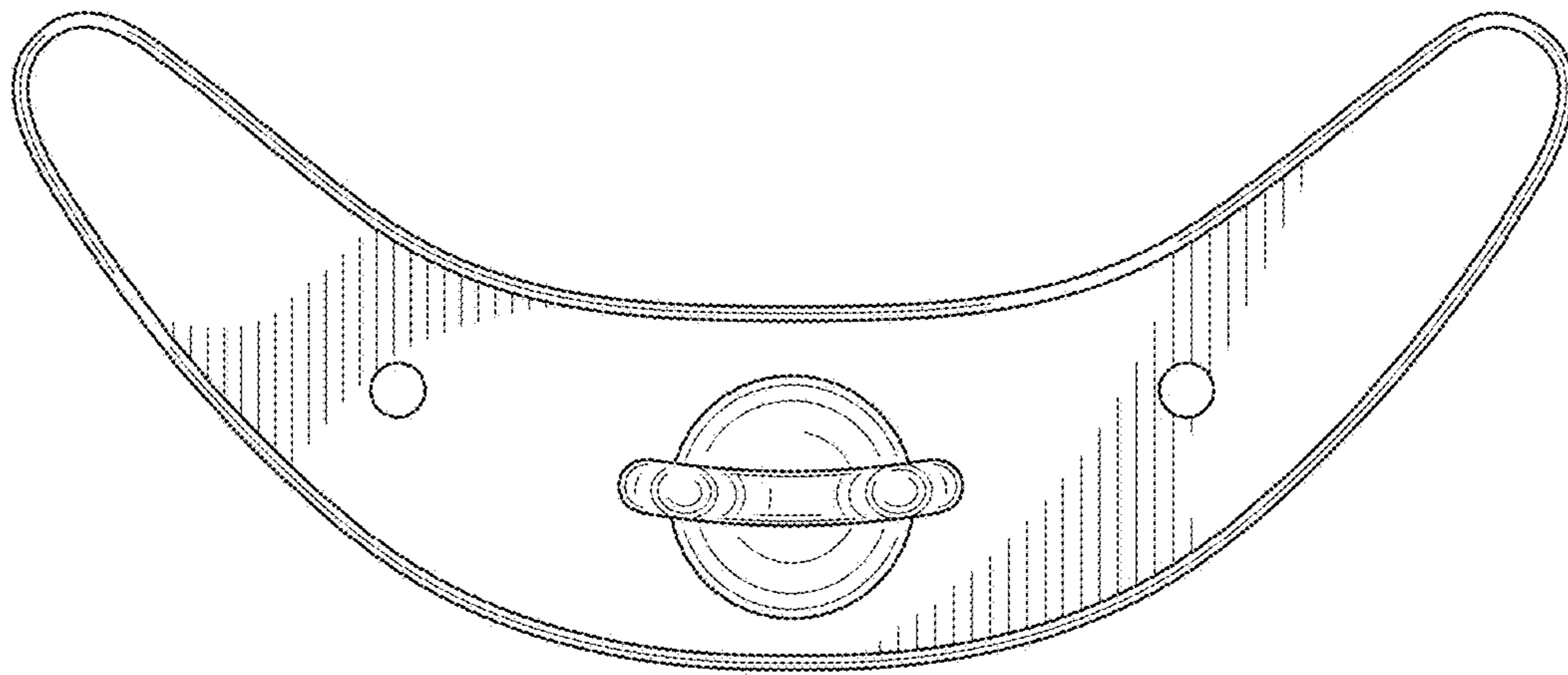


FIG. 14