



US00D857137S

(12) **United States Design Patent** (10) **Patent No.:** **US D857,137 S**
Cao (45) **Date of Patent:** **** Aug. 20, 2019**

(54) **HOVERBOARD**

(56) **References Cited**

(71) Applicant: **Zhejiang Taotao Vehicles Co., Ltd,**
Lishui, Zhejiang Province (CN)

U.S. PATENT DOCUMENTS

(72) Inventor: **Matao Cao,** Yongkang (CN)

D786,994	S	*	5/2017	Chen	D21/760
D803,963	S	*	11/2017	Desberg	D21/760
D807,457	S	*	1/2018	Desberg	D21/763
D837,322	S	*	1/2019	Desberg	D21/760
D837,323	S	*	1/2019	Desberg	D21/760
2013/0238231	A1	*	9/2013	Chen	B62K 11/007 701/124
2016/0129963	A1	*	5/2016	Ying	B62D 51/001 180/6.5
2017/0217529	A1	*	8/2017	Chen	B62K 11/007
2018/0037293	A1	*	2/2018	Chen	B62K 23/08

(73) Assignee: **ZHEJIANG TAOTAO VEHICLES
CO., LTD,** Lishui, Zhejiang Province
(CN)

(**) Term: **15 Years**

* cited by examiner

(21) Appl. No.: **29/655,881**

Primary Examiner — Cynthia M. Chin

(22) Filed: **Jul. 9, 2018**

(74) *Attorney, Agent, or Firm* — Locke Lord LLP; Tim
Tingkang Xia, Esq.

(30) **Foreign Application Priority Data**

(57) **CLAIM**

Apr. 21, 2018 (CN) 2018 3 0168091

The ornamental design for a hoverboard, as shown and
described.

(51) **LOC (12) Cl.** **21-02**

DESCRIPTION

(52) **U.S. Cl.**

USPC **D21/760; D21/763**

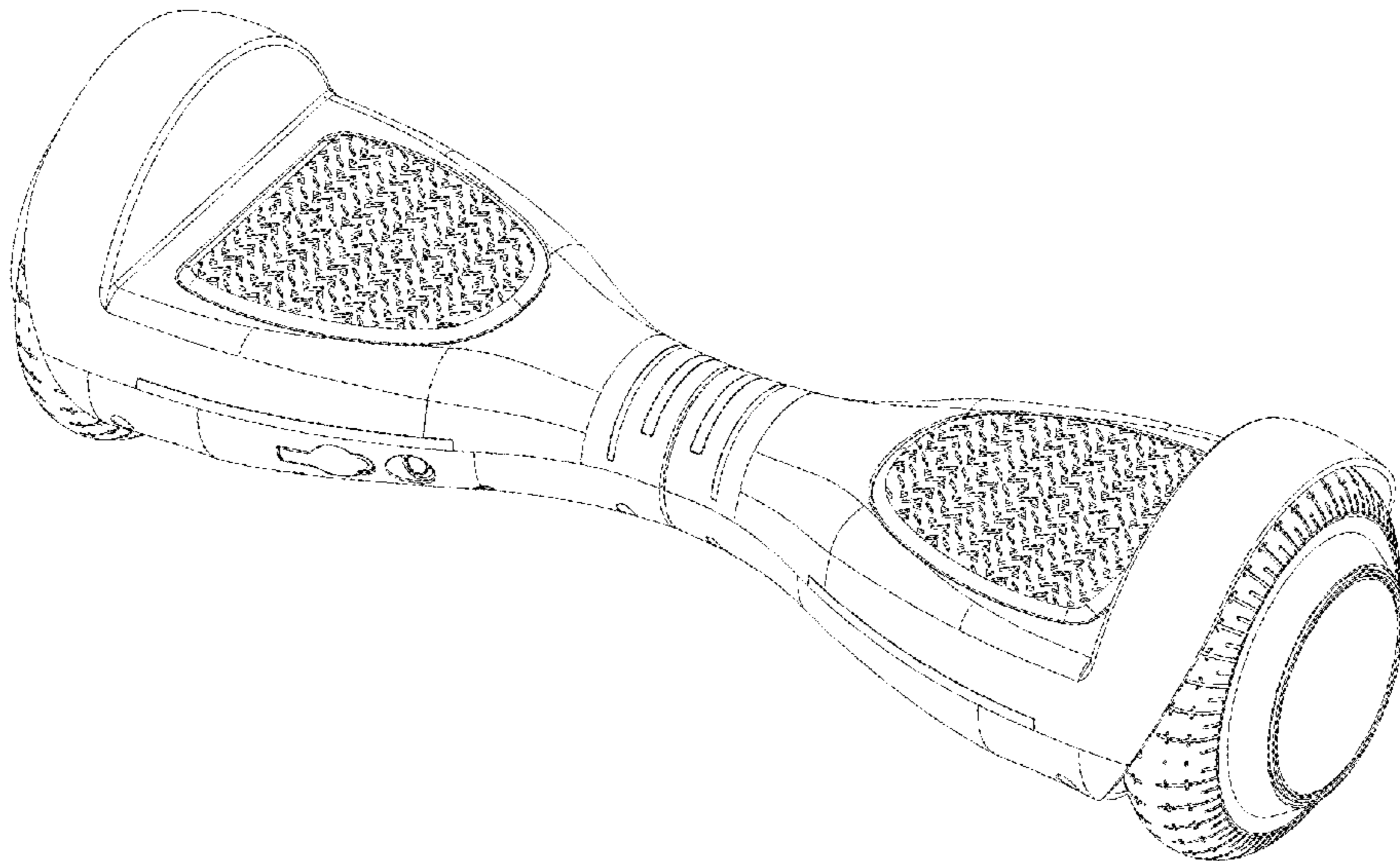
(58) **Field of Classification Search**

USPC D21/419, 421, 423, 426, 760, 765, 766,
D21/769, 771, 776, 803; D12/1

CPC A63C 17/01; A63C 17/12; A63C 2203/00;
A63C 2203/011; A63C 2203/012; A63C
2203/013; A63C 2203/40; A63C 2203/52;
B62D 51/02; B62K 2202/00; B62K
2207/00; B62K 2207/02; B62K 2207/04

See application file for complete search history.

1 Claim, 7 Drawing Sheets



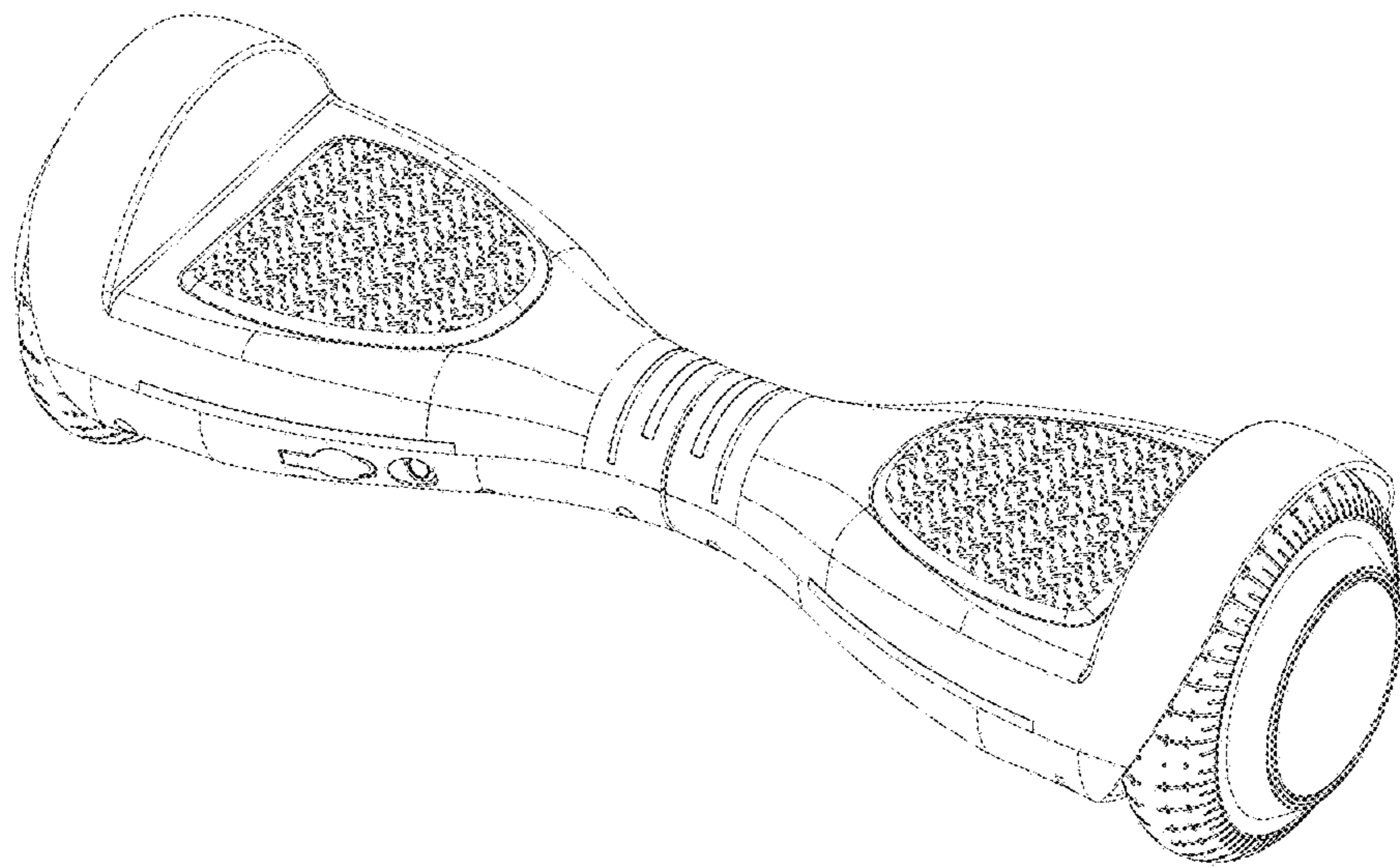


FIG. 1

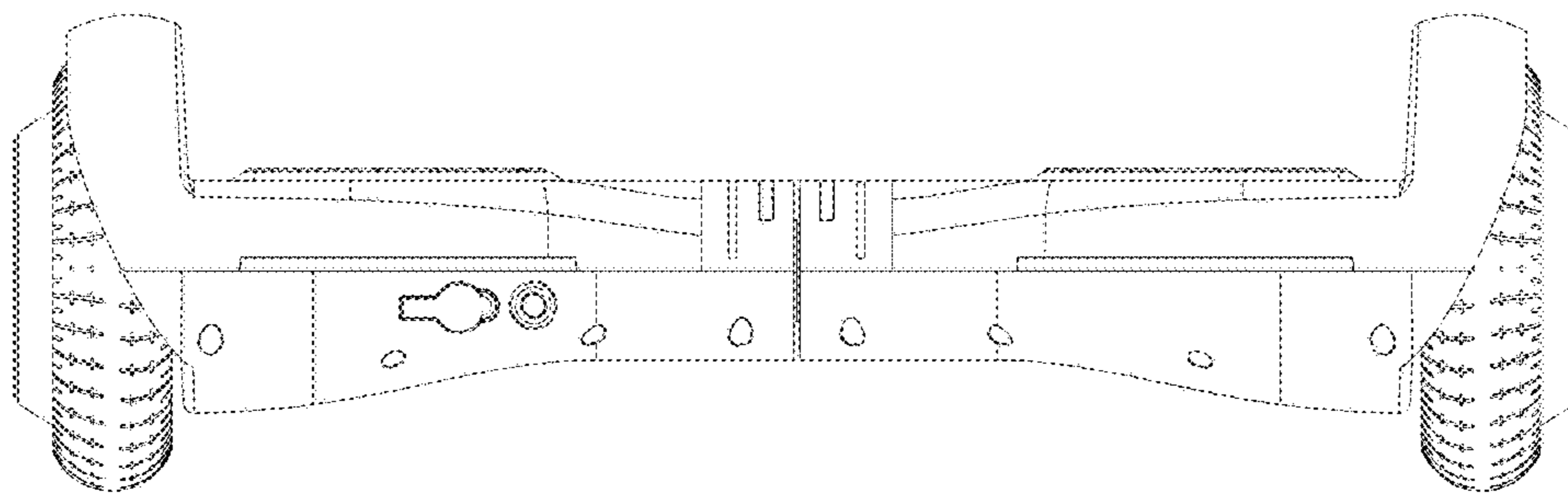


FIG. 2

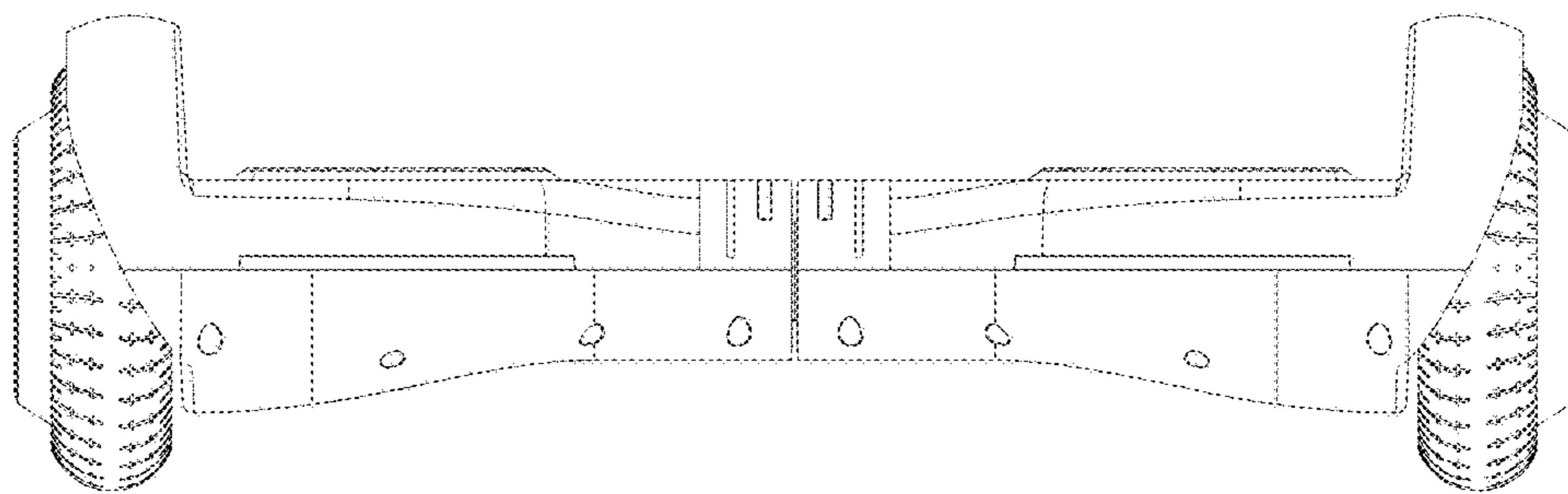


FIG. 3

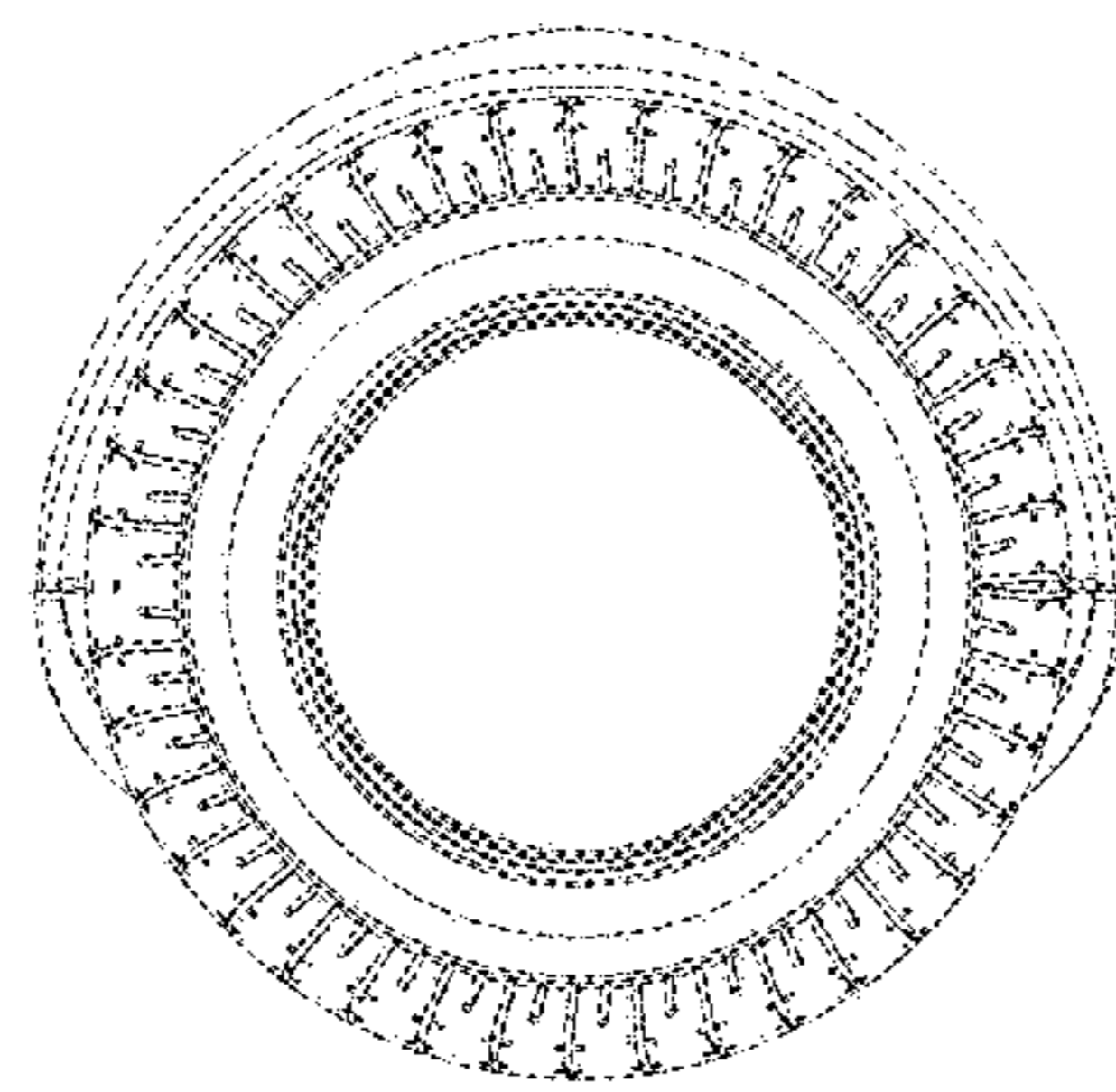


FIG. 4

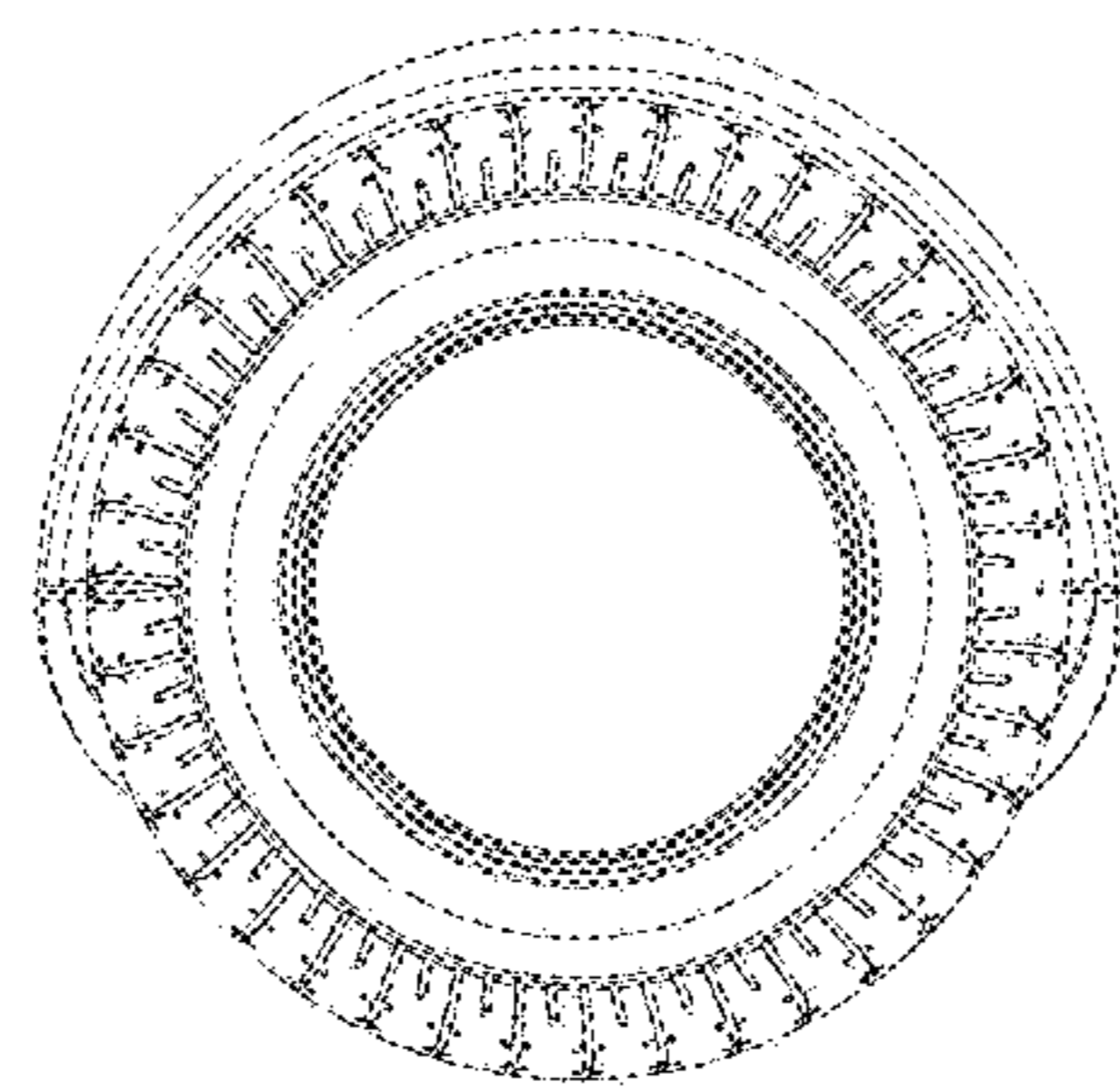


FIG. 5

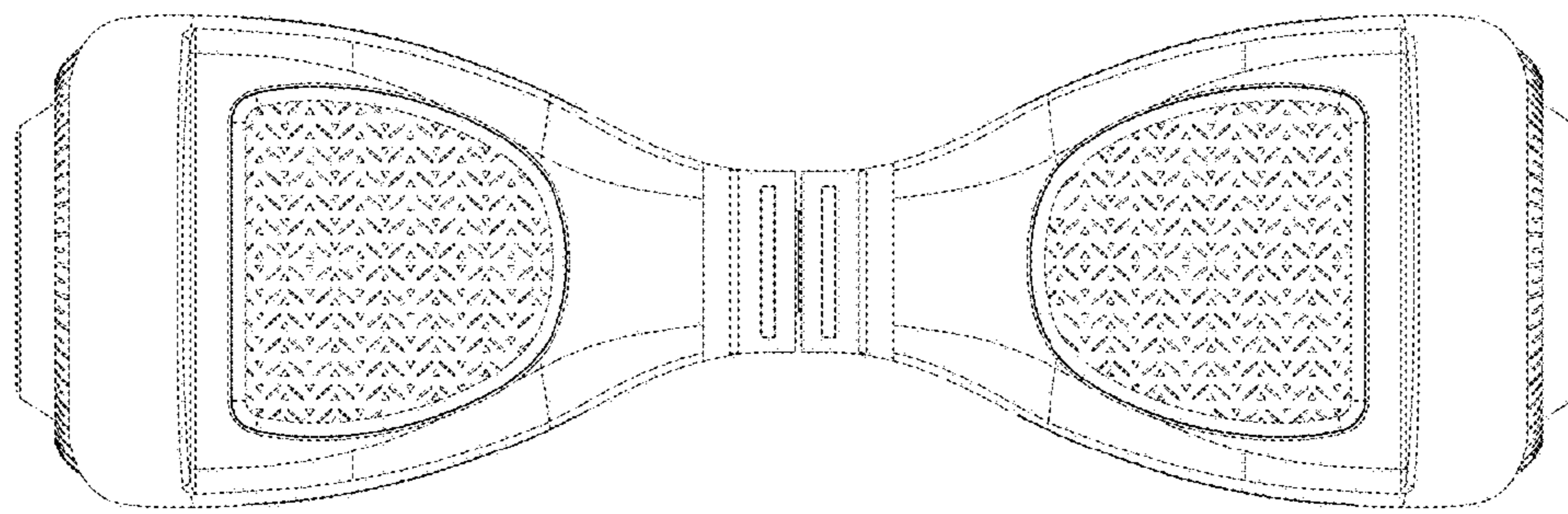


FIG. 6

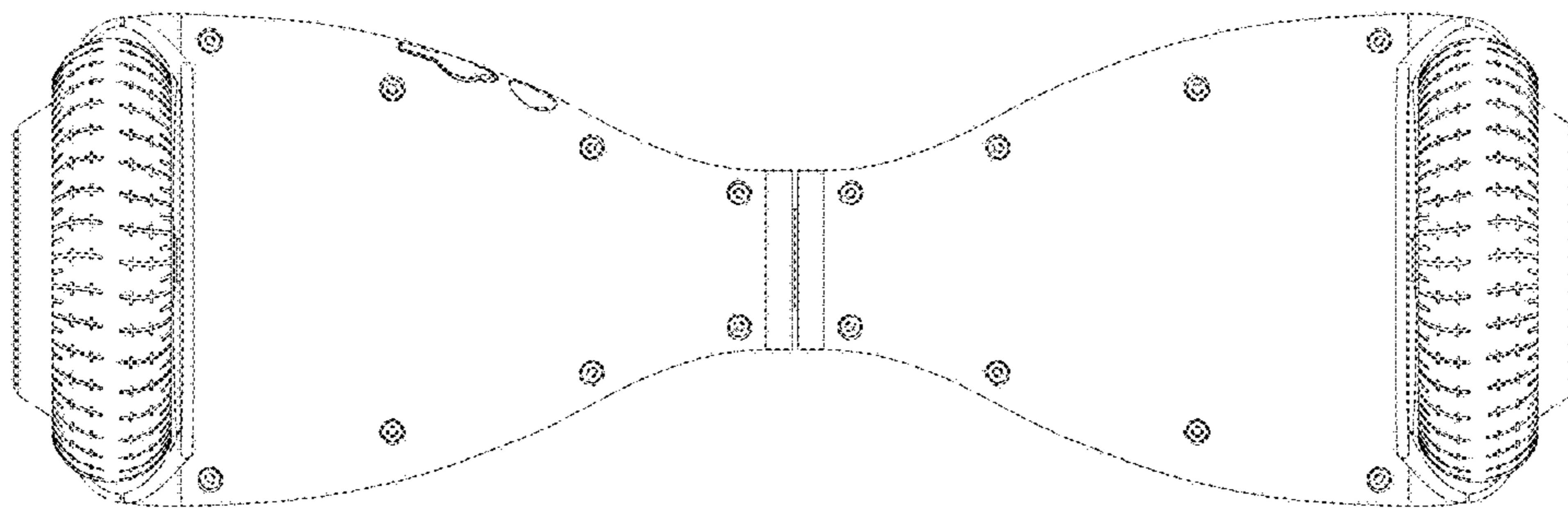


FIG. 7